

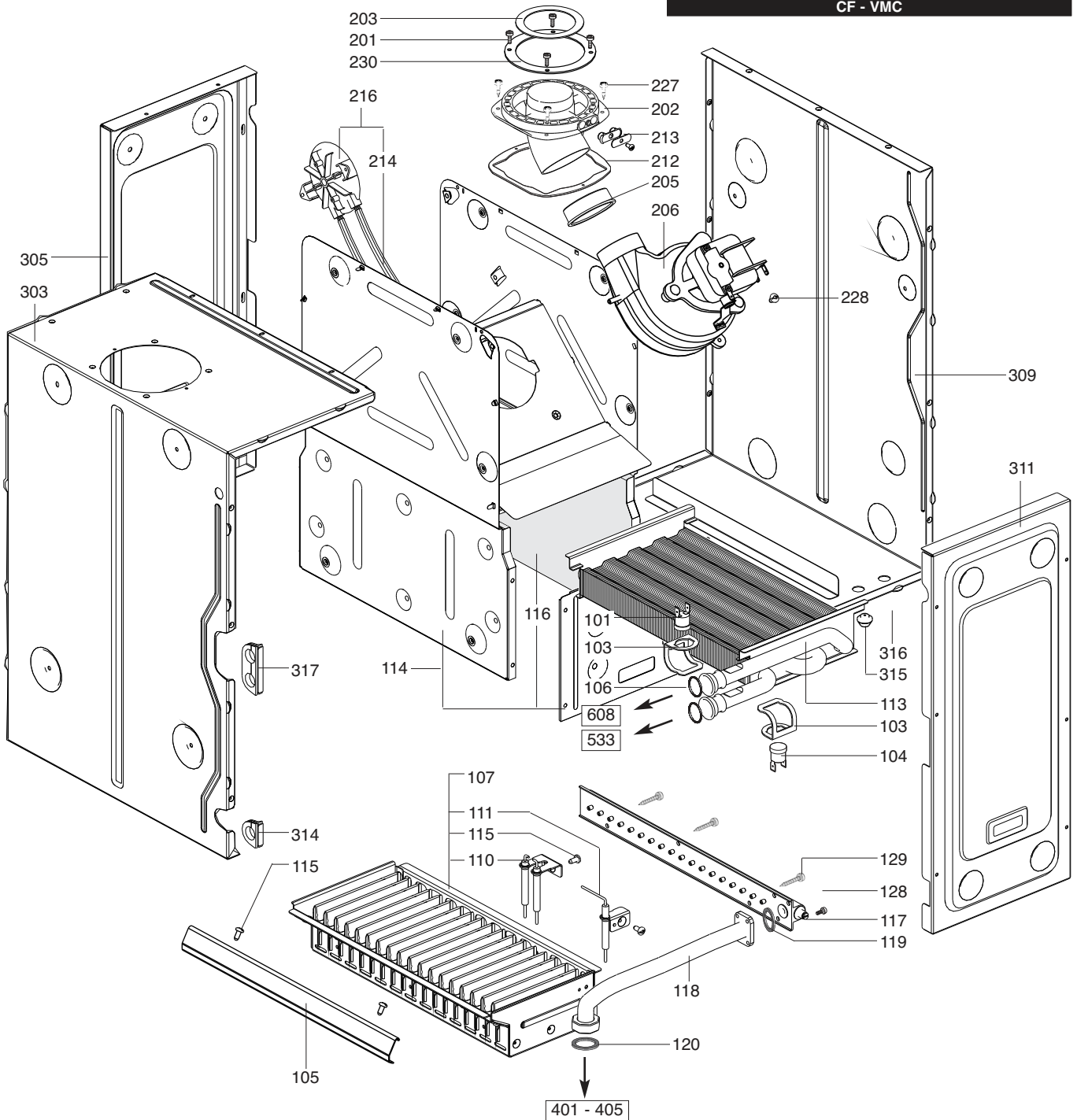
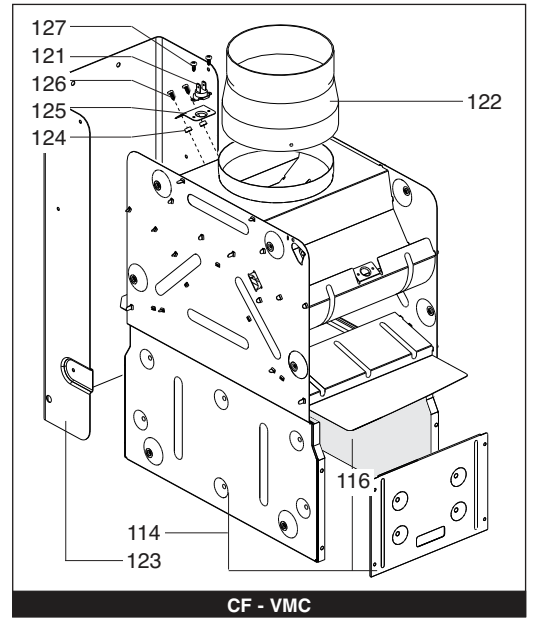
# SPARE PARTS EXPLODED VIEW GAS WALL BOILERS

Model

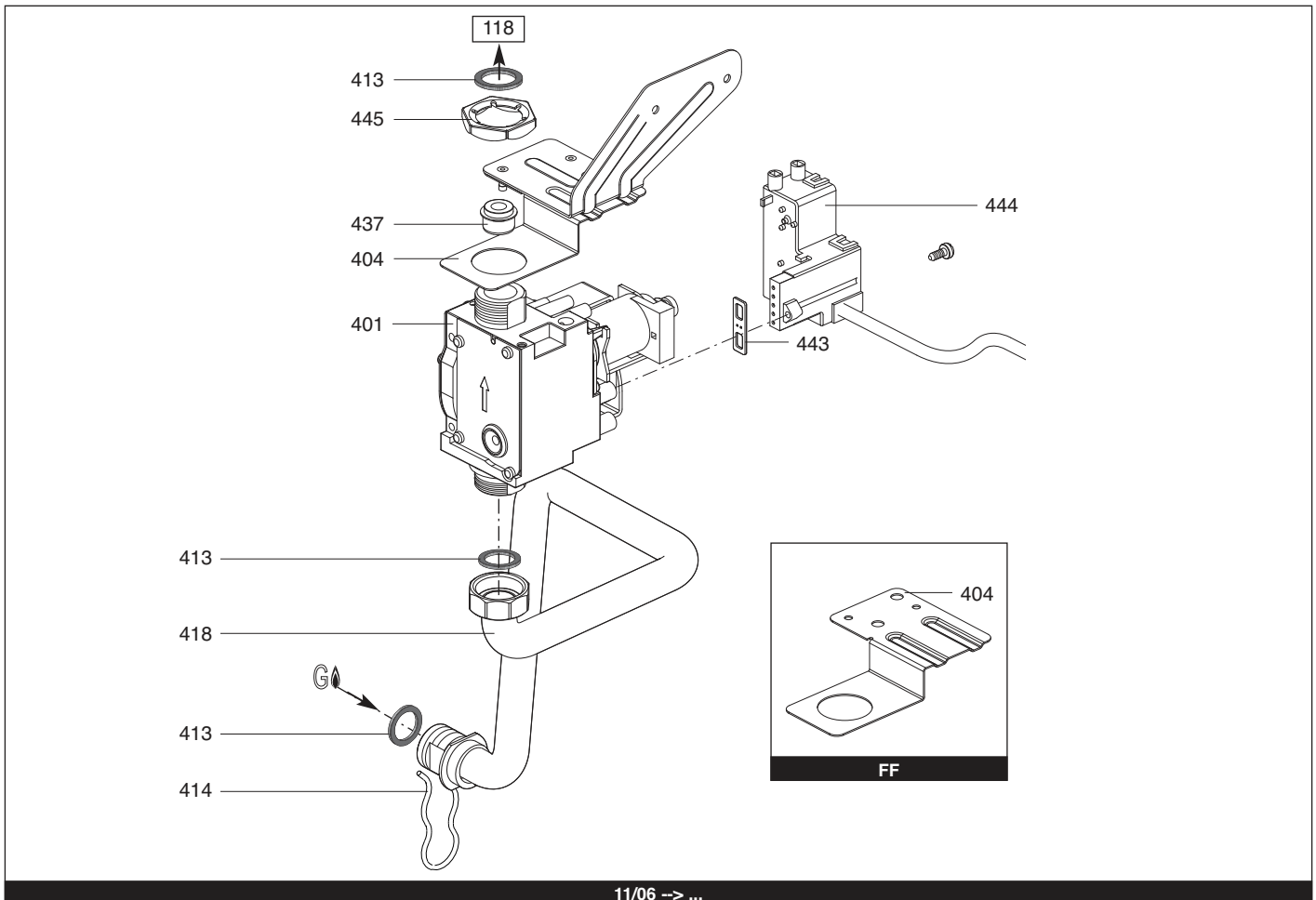
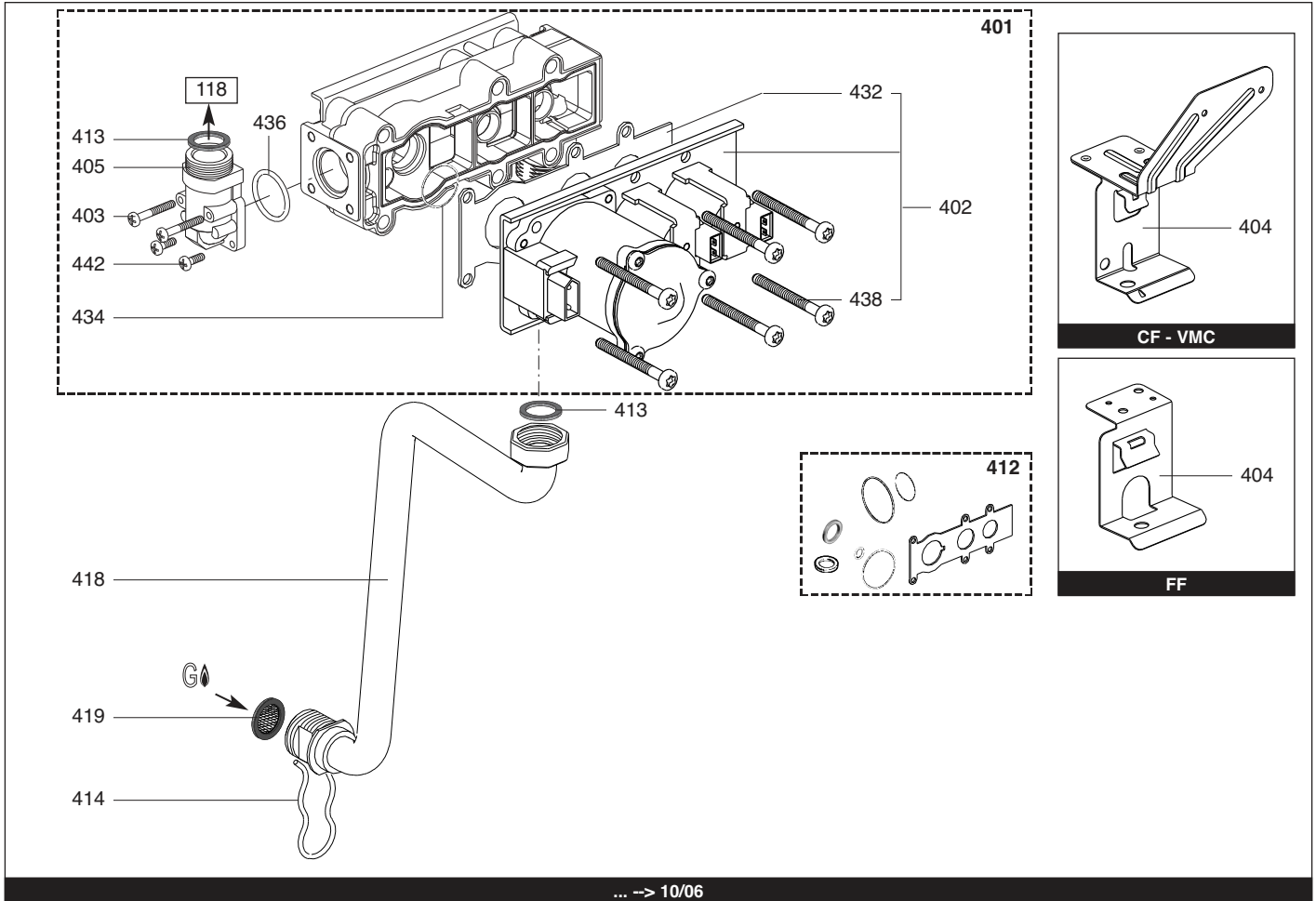
## **NIAGARA DELTA**

R8202567-10 - 21/03/2012

1	200006762031	NIAGARA DELTA 24 CF NAT	07/01	01/09
1	200006762021	NIAGARA DELTA 24 CF B/P	03/01	01/09
2	200006762036	NIAGARA DELTA 24 VMC NAT	10/01	01/09
2	200006762026	NIAGARA DELTA 24 VMC B/P	01/01	01/09
3	200006762037	NIAGARA DELTA 24 FF NAT	08/01	01/09
3	200006762027	NIAGARA DELTA 24 FF B/P	08/01	01/09
4	200006763031	NIAGARA DELTA 28 CF NAT	07/01	01/09
4	200006763021	NIAGARA DELTA 28 CF B/P	01/01	01/09
5	200006763037	NIAGARA DELTA 28 FF NAT	01/01	01/09
5	200006763027	NIAGARA DELTA 28 FF B/P	08/01	01/09
6	200006764037	NIAGARA DELTA 30 FF NAT	10/01	01/09
6	200006764027	NIAGARA DELTA 30 FF B/P	03/02	01/09
Col	Reference	Model type	Begin	End



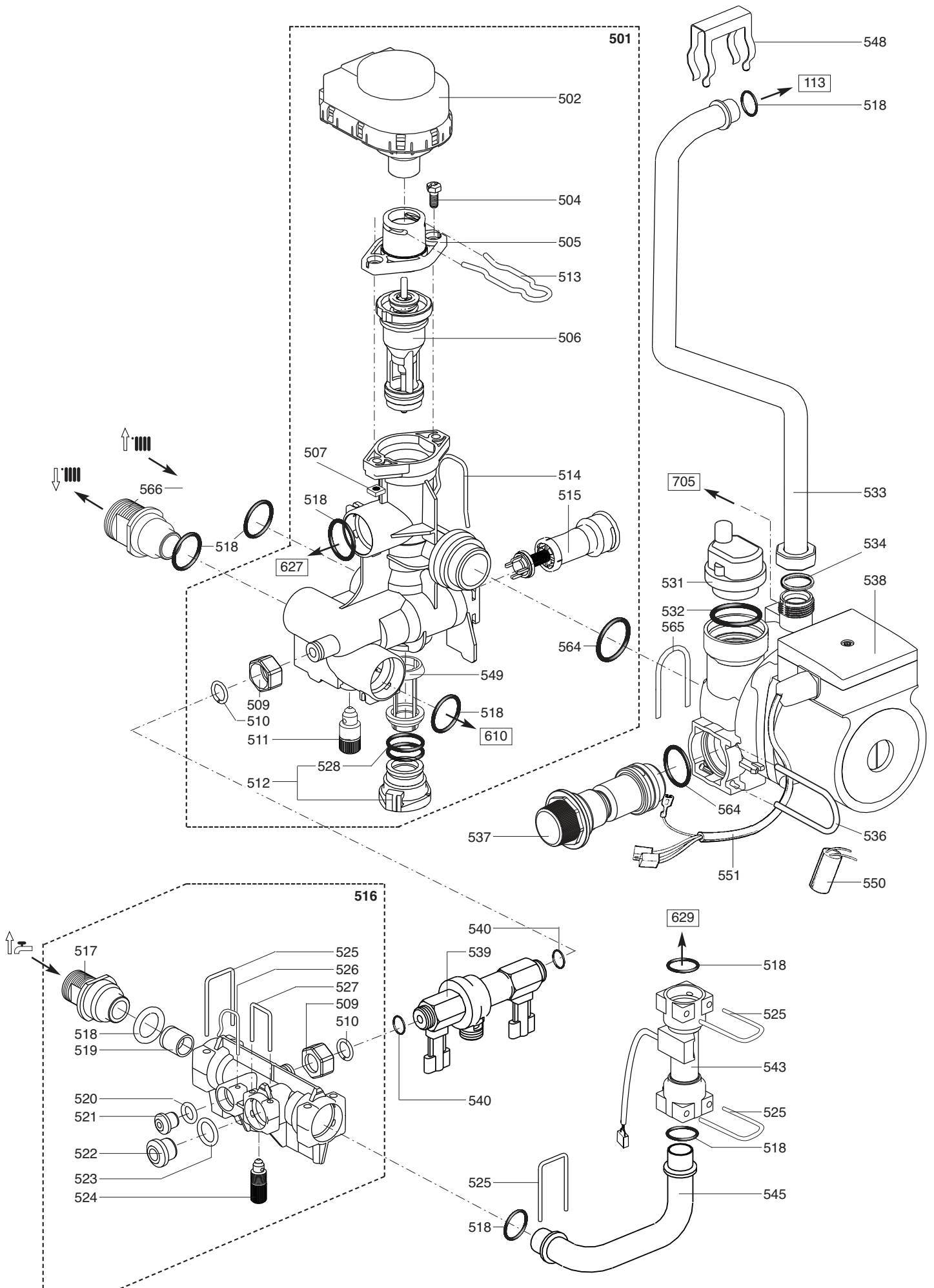
☉	Description	Manf. Pt. N	Type	<div style="display: flex; justify-content: space-between; font-size: 8px; font-weight: bold;"> <span>NIAGARA DELTA 24 CF</span> <span>NIAGARA DELTA 24 VMC</span> <span>NIAGARA DELTA 24 FF</span> <span>NIAGARA DELTA 28 CF</span> <span>NIAGARA DELTA 28 FF</span> <span>NIAGARA DELTA 30 FF</span> </div>																		31
				1	2	3	4	5	6	7	8	9	10	11	12	13	14	15	16	17	18	
<b>0100</b>	<b>BURNER ASSEMBLY</b>																					
0101	OVERHEAT THERMOSTAT 100C	61010572		•	•	•	•	•														
0103	CLIP	61010050		•	•	•	•	•														
0104	THERMISTOR TEMPERATURE SENSOR	61012958		•	•	•	•	•											04/04			
	THERMISTOR TEMP. SENSOR KIT	61317663		•	•	•	•	•											05/04			
0105	CROSS LIGHTING STRIP	61303352		•	•	•	•	•														
0106	O-RING D: 17-4	60024164-51		•	•	•	•	•														
0107	BURNER BASE & ELECTRODES	61306599		•	•	•	•	•														
	BURNER BASE & ELECTRODES	61306958							•													
0110	ELETTRODO D ACCENSIONE	61305840		•	•	•	•	•	•													
0111	IONIZATION ELECTRODE	61303302		•	•	•	•	•	•													
0113	HEAT EXCHANGER	61306547		•	•	•	•	•	•													
0114	COMBUSTION CHAMBER	61306550-01		•		•																
	COMBUSTION CHAMBER	61306551				•		•														
	COMBUSTION CHAMBER	61306959							•													
0115	TAPPING SCREW CBLX D: 4.2-9.5	61010125		•	•	•	•	•	•													
0116	COMBUSTION CHAMBER LINING KIT	61307039		•	•	•	•	•	•													
0117	MANIFOLD 18 INJ:0.72 - DIA:7.0	61305247	B/P						•													
	MANIFOLD 18 INJ:0.68	61305248	B/P				•															
	MANIFOLD 18 INJ:0.68	61305433	B/P	•	•																	
	MANIFOLD 18 INJ:0.74 - DIA:9.0	61306960	B/P							•												
	MANIFOLD 18 INJ:0.72	61310975	B/P						•													
	MANIFOLD 18 INJ:1.23	61303601	NAT							•												
	MANIFOLD 18 INJ:1.18	61305214	NAT	•	•																	
	MANIFOLD 18 INJ:1.23	61305249	NAT				•															
	MANIFOLD 18 INJ:1.23 - DIA:9.0	61306949	NAT																			
	MANIFOLD 18 INJ:1.18 - DIA:8.0	61306987	NAT						•													
0118	GAS TUBE	61303140		•	•	•	•	•	•													
0119	GASKET (/Manifold)	61010071		•	•	•	•	•	•													
0120	SHEET GASKET D: 24-18.2-1.5	60022835-01		•	•	•	•	•	•													
0121	OVERHEAT THERMOSTAT 54C	61010358					•															
	THERMOSTAT (SAFETY - 70C)	61012479		•				•														
0122	FLUE SPIGOT D:140->125	61303145		•	•																	
0123	SIDE COVER SUPPORT	61303351		•	•			•														
0124	SPACER	61308439					•															
0125	SUPPORT BRACKET	61308440					•															
0126	TAPPING SCREW D: 3.5-9.5	61015329						•														
0127	SHEET SCREW CBLX D: 3.5-6.5	61010126						•														
0128	SCREW CX M 5-12	61011224		•	•	•	•	•	•													
0129	TAPPING SCREW CBLX D: 4.2-25	61010128		•	•	•	•	•	•													
<b>0200</b>	<b>FAN ASSEMBLY</b>																					
0201	SCREW CLX M 5-20	61017600					•		•	•												
0202	FLUE CONNECTION	61304209					•		•	•									10/04			
	FLUE CONNECTION	61313154					•		•	•									11/04			
0203	RESTRICTOR D:61 KIT	60000736					•		•	•									10/04			
	RESTRICTOR D:65 KIT	60000737					•		•	•									11/04			
	RESTRICTOR / AIR D:77 KIT	60000738					•		•	•									11/04			
0205	GASKET	61303825					•		•	•												
0206	FAN ASSY	61020925					•		•	•												
0212	GASKET	61300262					•		•	•												
0213	PLUG KIT	61306698					•		•	•												
0214	SILICONE TUBE D: 9x3 L: 1.30M	60081265					•		•	•												
0216	AIR PRESSURE SWITCH 24-28KW	61307664					•		•													
	AIR PRESSURE SWITCH 30KW	61307665								•												
0227	TAPPING SCREW CBLX D:4.2-12.5	61010847					•		•	•												
0228	TAPPING SCREW CBLX D: 6.3-19	61010127					•		•	•												
0230	GASKET (/ Flue bend turret)	61300258					•		•	•												
<b>0300</b>	<b>SEALED CASE</b>																					
0303	SIDE PANEL	61306624					•		•	•												
0305	REAR PANEL	61304377					•		•	•												
0309	SIDE PANEL	61306623					•		•	•												
0311	FRONT PANEL	61304376					•		•	•												
0314	GROMMET D: 18	61303149					•		•	•												
0315	GROMMET	60039017					•		•	•												
0316	GROMMET - DOUBLE	60042707					•		•	•												
0317	GROMMET	61303148					•		•	•												



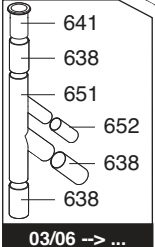
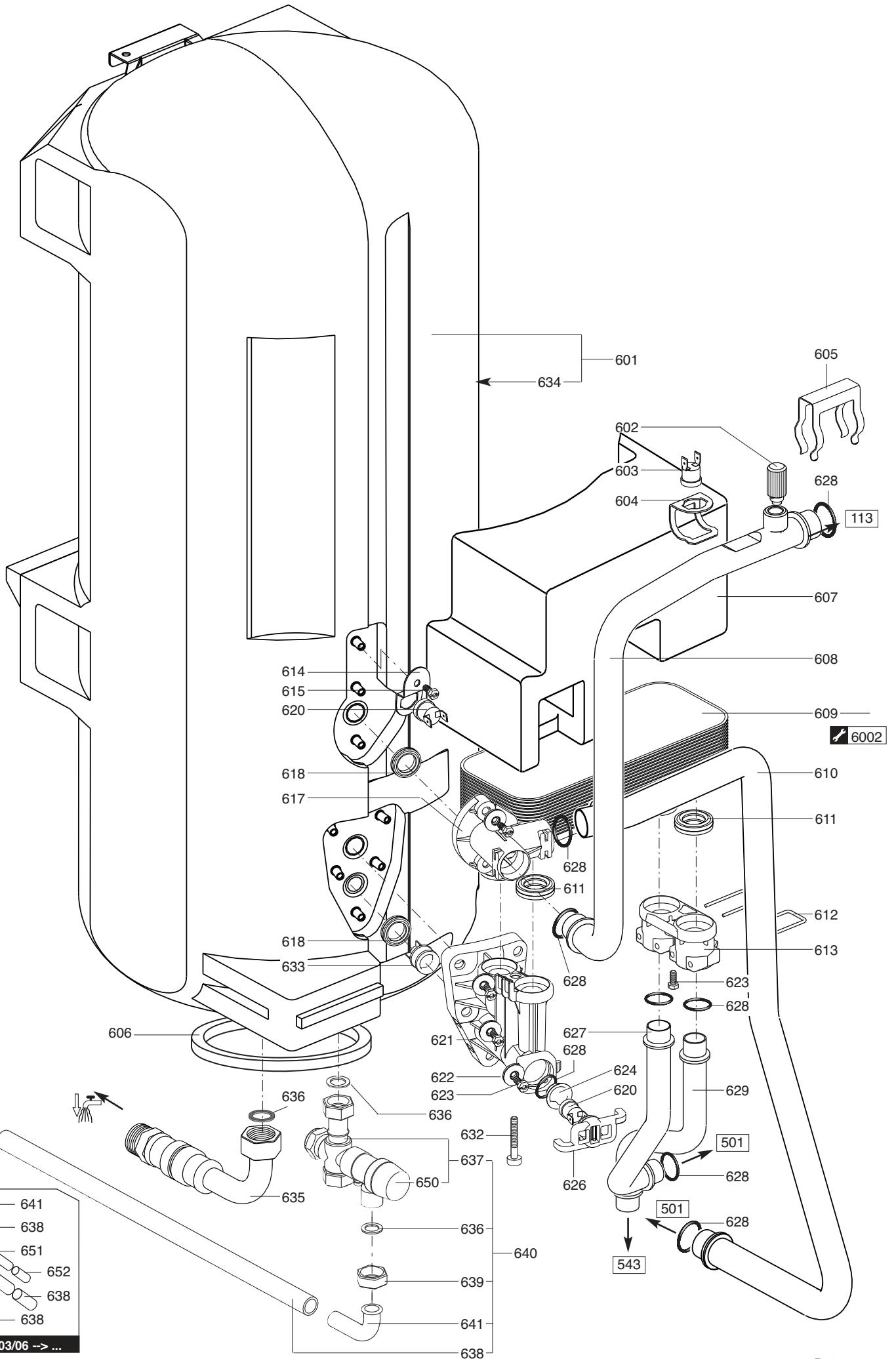
NIAGARA DELTA 24 CF  
 NIAGARA DELTA 24 VMC  
 NIAGARA DELTA 24 FF  
 NIAGARA DELTA 28 CF  
 NIAGARA DELTA 28 FF  
 NIAGARA DELTA 30 FF

31

☉⇒	Description	Manf. Pt. N	Type																		
				1	2	3	4	5	6	7	8	9	10	11	12	13	14	15	16	17	18
0400	<b>GAS SECTION</b>																				
0401	GAS VALVE	61314591		●	●	●	●	●											11/06		
	GAS VALVE LPG	61305254	B/P	●	●	●	●	●	●										10/06		
	GAS VALVE NAT	61303305	NAT	●	●	●	●	●	●										10/06		
0402	SOLENOID VALVES KIT LPG	60081860	B/P	●	●	●	●	●	●												
	SOLENOID VALVES KIT NAT	60081859	NAT	●	●	●	●	●	●												
0403	SCREW CLXS M 4-30	61015154		●	●	●	●	●	●												
0404	SUPPORT BRACKET	60000559				●		●	●										11/06		
	SUPPORT BRACKET	61303161				●		●	●										10/06		
	SUPPORT BRACKET	61305431		●	●			●											10/06		
	SUPPORT BRACKET	61312084		●	●			●											11/06		
0405	CONNECTION	61012649		●	●	●	●	●	●												
0412	GAS SECTION GASKETS KIT	60081837		●	●	●	●	●	●												
0413	SHEET GASKET D: 24-18.2-1.5	60022835-01		●	●	●	●	●	●												
0414	PIN	61305179		●	●	●	●	●	●												
0418	GAS TUBE	60000552		●	●	●	●	●	●										11/06		
	GAS TUBE	61303306		●	●	●	●	●	●										10/06		
0419	GAS FILTER	60037309		●	●	●	●	●	●												
0432	GASKET (/Solenoid valve)	61013018		●	●	●	●	●	●												
0434	O-RING D: 14.1-1.6	60021061-41		●	●	●	●	●	●												
0436	O-RING D: 22-2.6	60021061-40		●	●	●	●	●	●												
0437	GAS RESTRICTOR D: 6.7	61312594		●	●				●										11/06		
	RESTRICTOR D: 5.7	60000499	NAT						●										11/06		
	GAS RESTRICTOR D: 6.7	61312594	NAT						●										11/06		
0438	SCREW CLXS M 5-45	61014414		●	●	●	●	●	●												
0442	SCREW CLXS M 4-12	61015153		●	●	●	●	●	●												
0443	GASKET (SPARK GENERATOR)	574279		●	●	●	●	●	●										11/06		
0444	IGNITER	61311269		●	●	●	●	●	●										11/06		
0445	LOCK NUT	60031140		●	●	●	●	●	●										11/06		



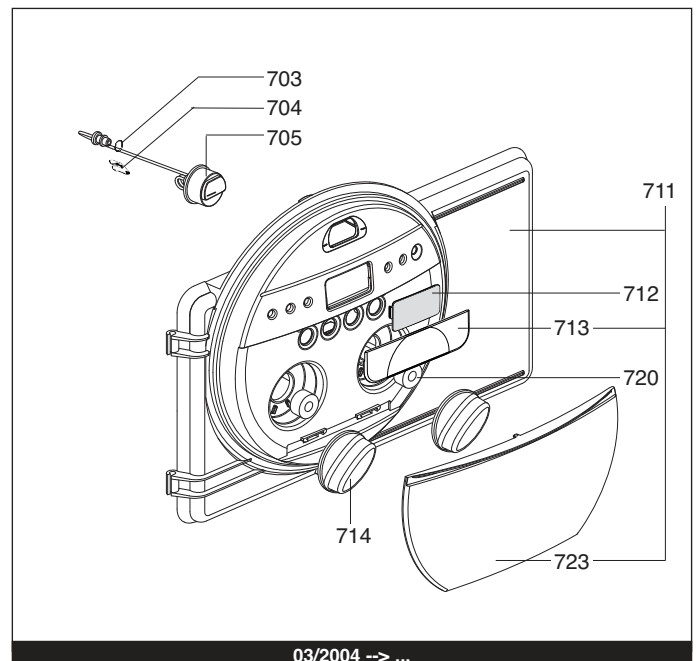
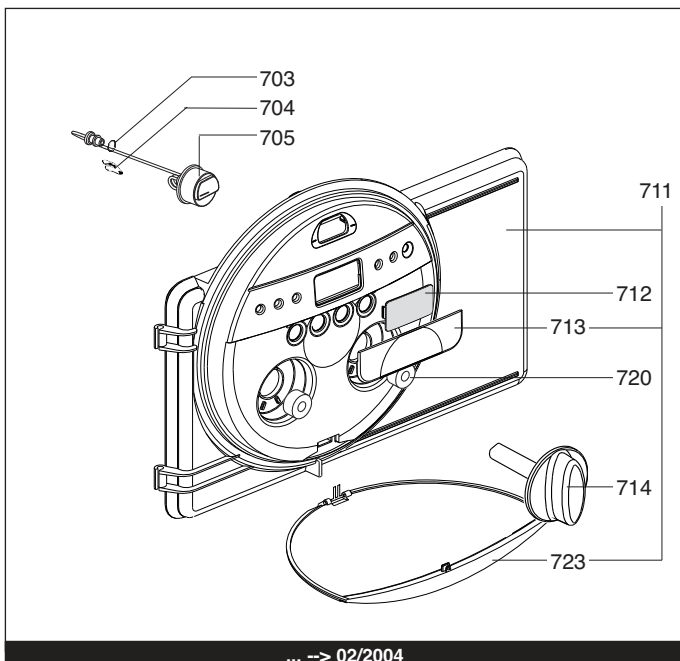
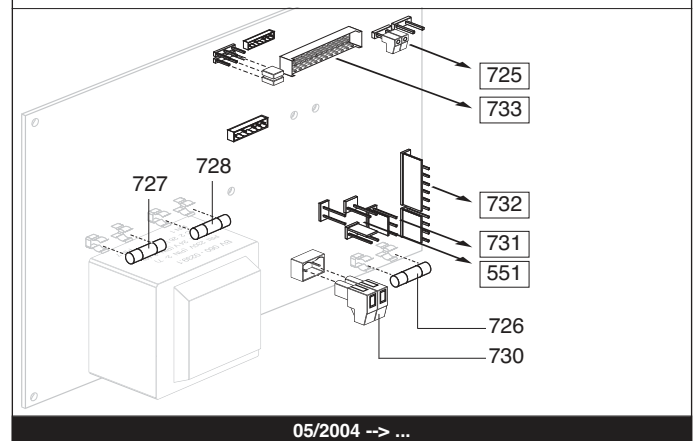
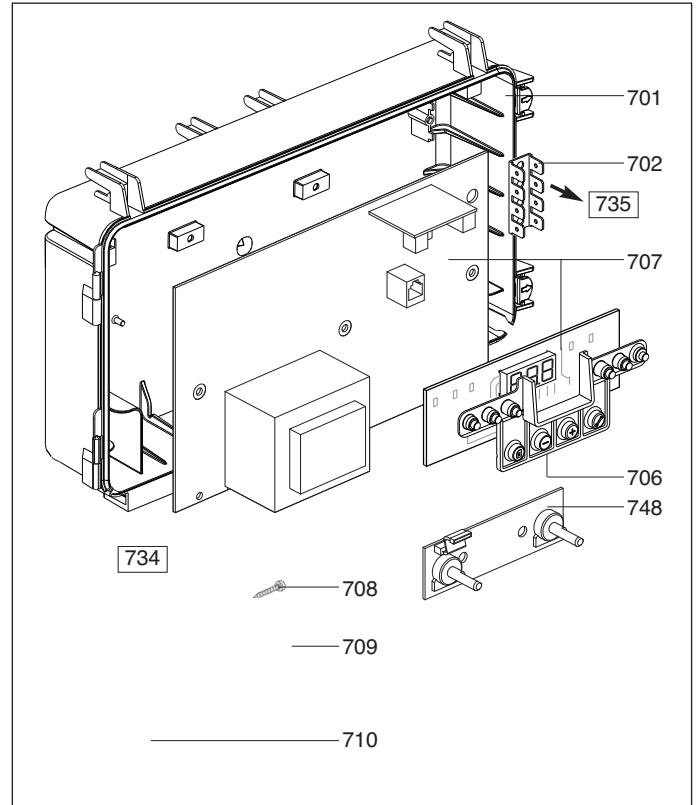
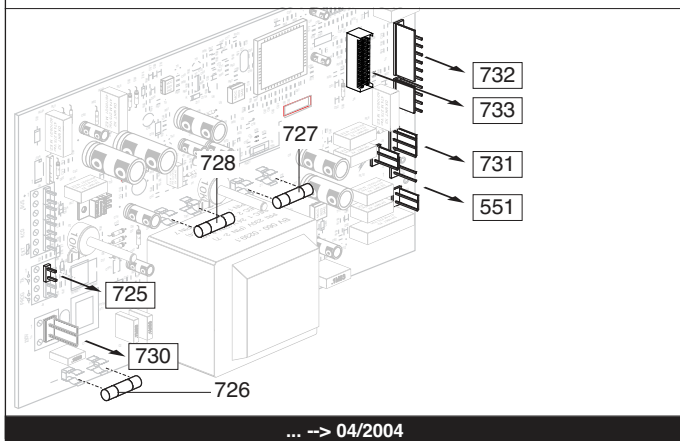
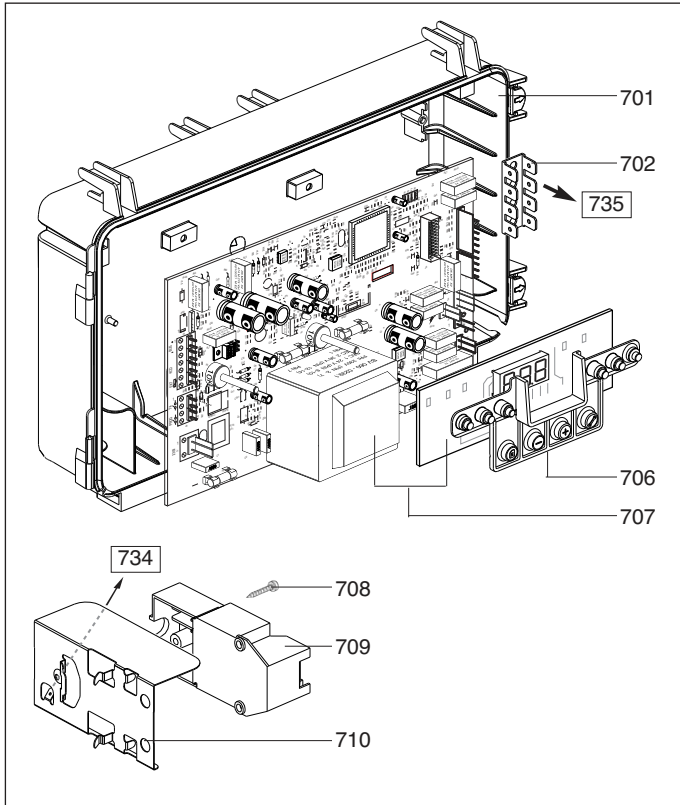
☉→	Description	Manf. Pt. N	Type	<div style="display: flex; justify-content: space-between; font-size: small;"> <span>NIAGARA DELTA 24 CF</span> <span>NIAGARA DELTA 24 VMC</span> <span>NIAGARA DELTA 24 FF</span> <span>NIAGARA DELTA 28 CF</span> <span>NIAGARA DELTA 28 FF</span> <span>NIAGARA DELTA 30 FF</span> </div>																		31
				1	2	3	4	5	6	7	8	9	10	11	12	13	14	15	16	17	18	
0500	HYDRAULIC BLOCK																					
0501	HEATING BLOCK ASSY	61306595		●	●	●	●	●														
0502	MOTOR - THREE-WAY VALVE	61302483-01		●	●	●	●	●														
0504	SCREW HX M 5-12	61010131		●	●	●	●	●														
0505	INTERFACE	61304003		●	●	●	●	●														
0506	VALVE KIT	61303330		●	●	●	●	●														
0507	NUT M 5	61016604		●	●	●	●	●														
0509	NUT 3/8» THICK: 11	60020746-20		●	●	●	●	●														
0510	RETAINING RING	61302621		●	●	●	●	●														
0511	DRAIN SCREW ASSY	60081028		●	●	●	●	●														
0512	PLUG ASSY	61305112		●	●	●	●	●														
0513	PIN	61304002		●	●	●	●	●														
0514	PIN	61302332		●	●	●	●	●														
0515	BY-PASS	61305111		●	●	●	●	●														
0516	WATER/WATER HEAT BLOCK ASSY	61305114		●	●	●	●	●														
0517	CONNECTION	61302753		●	●	●	●	●														
0518	O-RING D: 17-4	60024164-51		●	●	●	●	●														
0519	FLOW REGULATOR 12L	61305106		●	●	●	●	●														
0520	O-RING D: 8.9-2.7	60021061-14		●	●	●	●	●														
0521	PLUG	61303674		●	●	●	●	●														
0522	PLUG	61303675		●	●	●	●	●														
0523	O-RING D: 13.6-2.7	60021061-18		●	●	●	●	●														
0524	DRAIN SCREW ASSY	60081904		●	●	●	●	●														
0525	PIN	61016206-02		●	●	●	●	●														
0526	CLIP	61010005		●	●	●	●	●														
0527	PIN	61303234		●	●	●	●	●														
0528	O-RING D: 22-2	60022113-03		●	●	●	●	●														
0531	AIR SEPARATOR HEAD ASSEMBLY	61304608		●	●	●	●	●														
0532	GASKET KIT	61304618		●	●	●	●	●														
0533	TUBE : PUMP TO HEAT EXCHANGER	61303219		●	●	●	●	●														
0534	O-RING D: 16-1.9	61009833-37		●	●	●	●	●														
0536	CLIP	61302720		●	●	●	●	●														
0537	PRESSURE RELIEF VALVE	61305113		●	●	●	●	●														
0538	PUMP + AIR SEPARATOR 15/50	61301964		●	●	●	●	●														
	PUMP + AIR SEPARATOR 15/60	61303461		●	●	●	●	●														
0539	DISCONNECTOR	61303319		●	●	●	●	●														
0540	SHEET TASKET D: 15-8.5-1.5	60030867		●	●	●	●	●														
0543	STOPPED WATER THROTTLE	61304982		●	●	●	●	●										01/02				
	STOPPED WATER THROTTLE	61308790		●	●	●	●	●											12/01			
0545	COLD WATER TUBE	61303215		●	●	●	●	●										01/02				
	COLD WATER TUBE	61306474		●	●	●	●	●											12/01			
0548	CLIP	61010609		●	●	●	●	●														
0549	HEATING FILTER	61016502		●	●	●	●	●														
	FILTER	61312851		●	●	●	●	●														
0550	CAPACITOR	61000652-10		●	●	●	●	●														
0551	PUMP LEAD (2 SPEEDS)	61306995		●	●	●	●	●														
0564	O-RING D: 24.6-3.6	61009834-30		●	●	●	●	●														
0565	CLIP	60030898-03		●	●	●	●	●														
0566	CONNECTION	61303920		●	●	●	●	●														



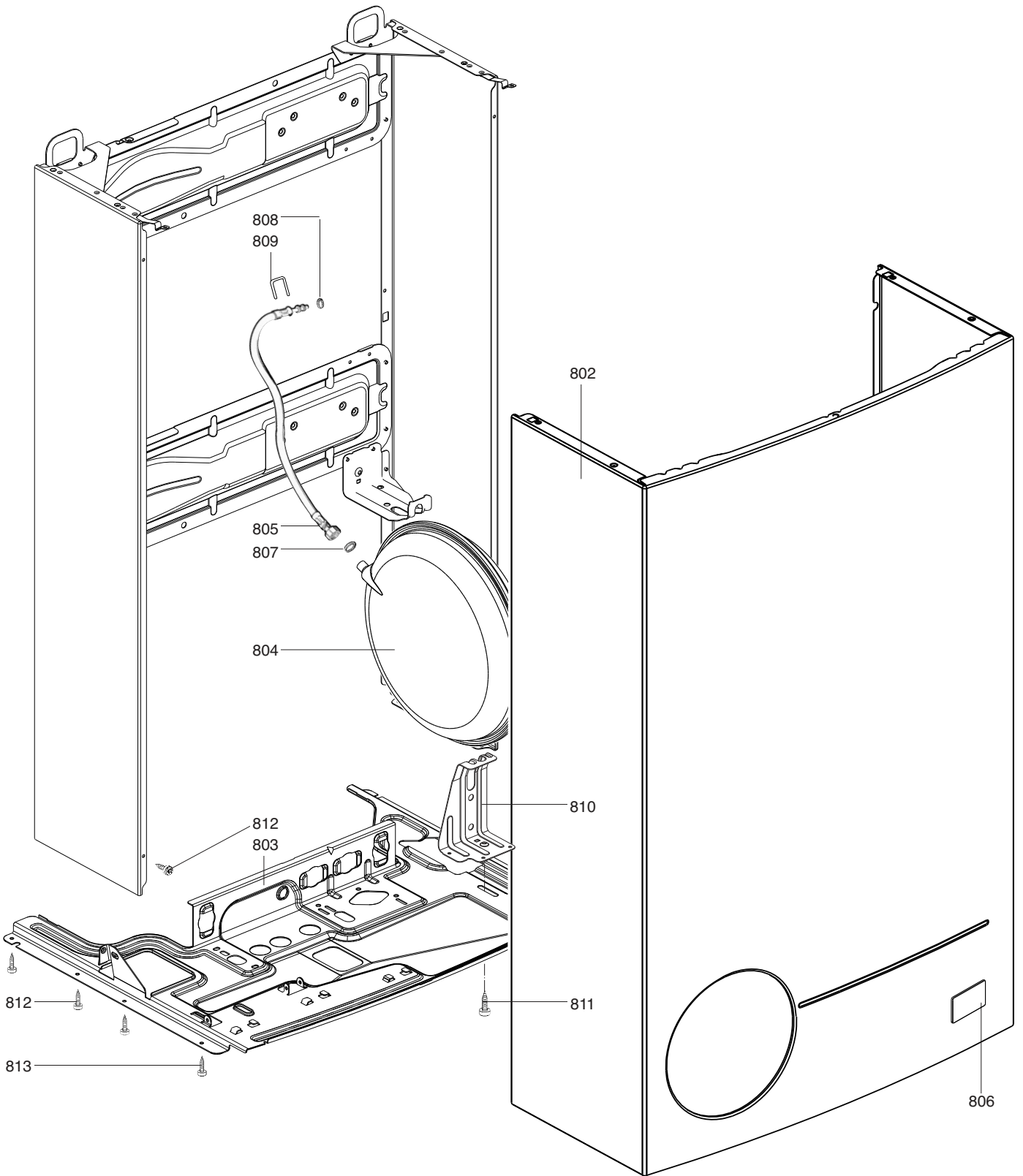
03/06 -> ...



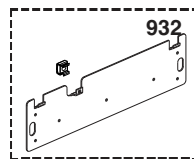
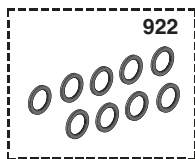
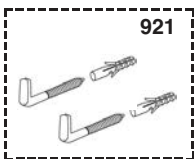
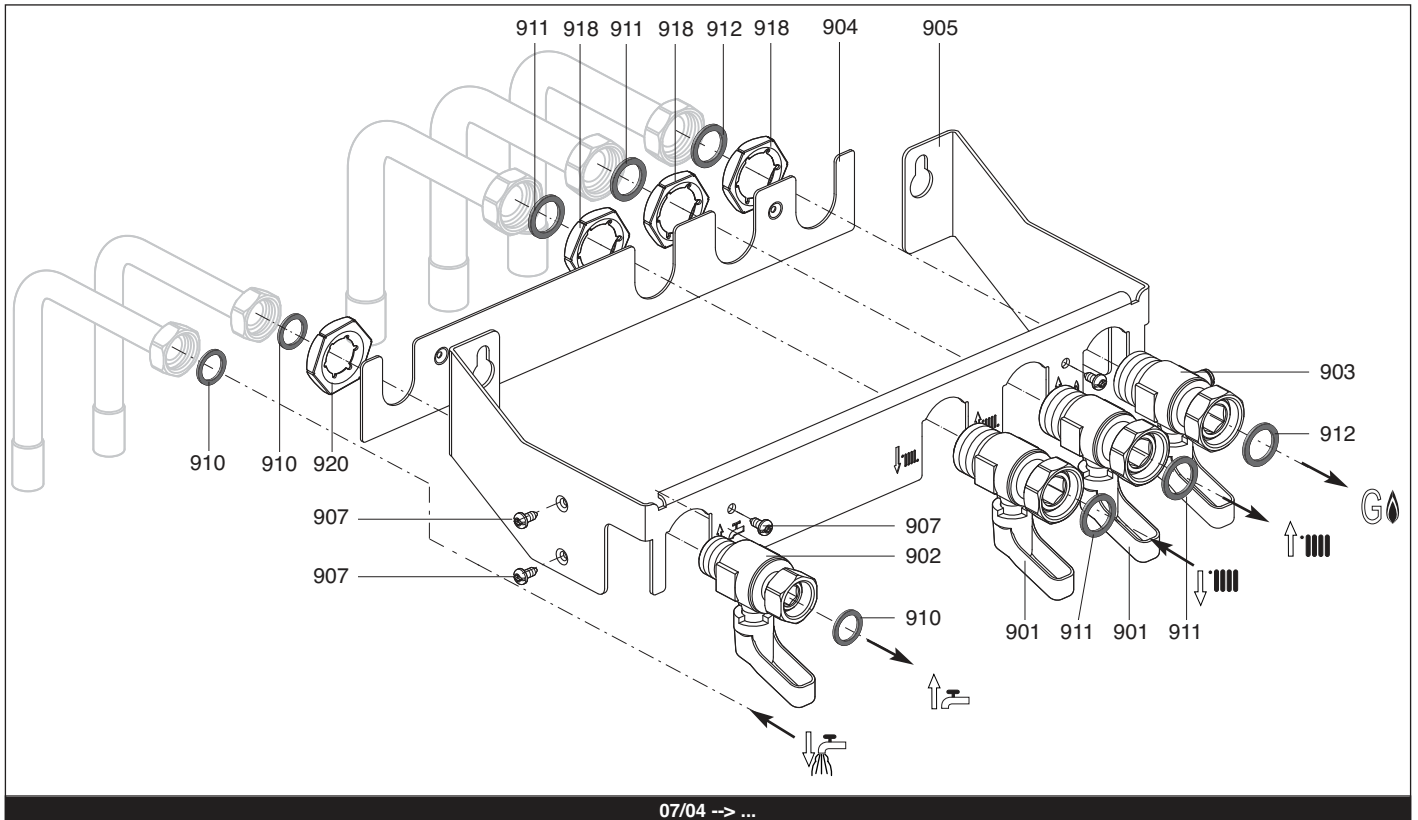
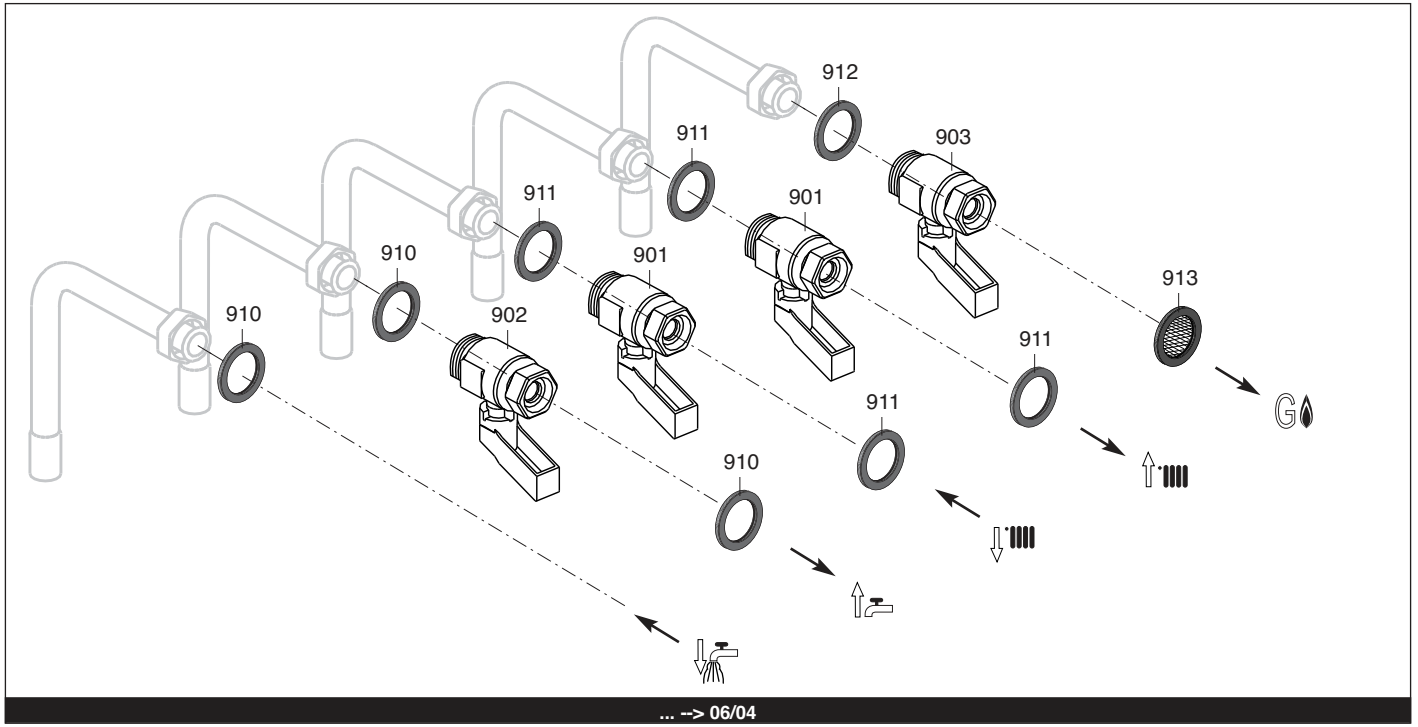
☉➔	Description	Manf. Pt. N	Type	<div style="display: flex; justify-content: space-between;"> <div style="writing-mode: vertical-rl; transform: rotate(180deg); font-size: 8px;">           NIAGARA DELTA 24 CF            NIAGARA DELTA 24 VMC            NIAGARA DELTA 24 FF            NIAGARA DELTA 28 CF            NIAGARA DELTA 28 FF            NIAGARA DELTA 30 FF         </div> <div style="border: 1px solid black; padding: 2px;">31</div> </div>																			
				1	2	3	4	5	6	7	8	9	10	11	12	13	14	15	16	17	18		
0600	<b>HOT WATER TANK</b>																						
0601	HOT WATER TANK 60L	61306628		●	●	●	●	●	●														
	GASKET	61317346		●	●	●	●	●	●														
0602	DRAIN SCREW ASSY	60081028		●	●	●	●	●	●														
0603	THERMISTOR TEMPERATURE SENSOR	61012958		●	●	●	●	●	●													04/04	
	THERMISTOR TEMP. SENSOR KIT	61317663		●	●	●	●	●	●												05/04		
0604	CLIP	61010050		●	●	●	●	●	●														
0605	CLIP	61010609		●	●	●	●	●	●														
0607	INSUALTION-W/WATER HEAT EXCH.	61303156		●	●	●	●	●	●														
0608	HEATING FLOW BEND	61303218		●	●	●	●	●	●														
0609	WATER / WATER HEAT EXCHANGER 16	61302409-01		●	●	●	●	●	●														
0610	HEATING FLOW BEND	61303217		●	●	●	●	●	●														
0611	EXCHANGER GASKET	65104334		●	●	●	●	●	●														
0612	PIN	61016206-02		●	●	●	●	●	●														
0613	INTERFACE SYSTEM - EXCHANGER	61302492		●	●	●	●	●	●														
0614	SUPPORT	61303369		●	●	●	●	●	●														
0615	SCREW HSX M 5-8	61302631		●	●	●	●	●	●														
0617	TOP INTERFACE SYSTEM ASSY	61302533		●	●	●	●	●	●														
0618	LIP SEAL	61302622		●	●	●	●	●	●														
0620	THERMISTOR TEMPERATURE SENSOR	61012958		●	●	●	●	●	●													04/04	
	THERMISTOR	61314258		●	●	●	●	●	●												05/04		
0621	BOTTOM INTERFACE SYSTEM ASSY	61306596		●	●	●	●	●	●														
0622	WASHER	61304158		●	●	●	●	●	●														
0623	SCREW HX M 5-12	61010131		●	●	●	●	●	●														
0624	CUPEL	61303238		●	●	●	●	●	●														
0626	CLIP	61303237		●	●	●	●	●	●														
0627	FLOW TUBE	61303216		●	●	●	●	●	●														
0628	O-RING D: 17-4	60024164-51		●	●	●	●	●	●														
0629	COLD WATER TUBE	61304609		●	●	●	●	●	●												01/02		
	COLD WATER TUBE	61306476		●	●	●	●	●	●													12/01	
0632	SCREW HSX M 5-80	61303236		●	●	●	●	●	●														
0633	NON-RETURN VALVE	61305620		●	●	●	●	●	●														
0634	INSULATION	61306630		●	●	●	●	●	●														
0635	HOT WATER BEND	61305099		●	●	●	●	●	●														
0636	WASHER D: 18.4-12.2-1.5	60061855-14		●	●	●	●	●	●														
0637	PRESSURE RELIEF VALVE 7 BARS	61304749		●	●	●	●	●	●														
0638	TUBE PVC D: 13x17 L: 1M	60081266-02		●	●	●	●	●	●														
0639	NUT 1/2» THICK: 12	60020747-28		●	●	●	●	●	●														
0640	PRESSURE RELIEF VALVE KIT	61305178		●	●	●	●	●	●														
0641	CONNECTING PIPE	60001076		●	●	●	●	●	●												03/06		
	CONNECTING PIPE	61010430		●	●	●	●	●	●													02/06	
0650	VALVE 7 BARS	60000437		●	●	●	●	●	●														
0651	CONNECTION	60000368		●	●	●	●	●	●														
0652	TUBE PVC D: 9x12 L: 1M	60081266		●	●	●	●	●	●														



☉⇒	Description	Manf. Pt. N	Type	<div style="display: flex; justify-content: space-between; align-items: center;"> <div style="writing-mode: vertical-rl; transform: rotate(180deg); font-size: 8px;">           NIAGARA DELTA 24 CF            NIAGARA DELTA 24 VMC            NIAGARA DELTA 24 VMC            NIAGARA DELTA 28 CF            NIAGARA DELTA 28 FF            NIAGARA DELTA 30 FF         </div> <div style="border: 1px solid black; padding: 2px;">31</div> </div>																		1	2	3	4	5	6	7	8	9	10	11	12	13	14	15	16	17	18
0700	<b>ELECTRICAL BOX</b>																																						
0701	BASE - BOX	61303242		●	●	●	●	●																															
0702	CONNECTION STRIP	61002725		●	●	●	●	●																															
0703	O RING D: 5.7-1.9	61009834-10		●	●	●	●	●																															
0704	CLIP	61002406		●	●	●	●	●																															
0705	PRESSURE GAUGE	61305005		●	●	●	●	●																															
0706	TRANSMITTER OF LEDS	61303464		●	●	●	●	●																															
0707	PRINTED CIRCUIT BOARDS	60000390		●	●	●	●	●										05/04	10/06																				
	PRINTED CIRCUIT BOARDS	60000484		●	●	●	●	●										11/06																					
	PRINTED CIRCUIT BOARDS	61307041		●	●	●	●	●											04/04																				
0708	TAPPING SCREW D: 3.5-9.5	61015329		●	●	●	●	●																															
0709	IGNITER	61002105-20		●	●	●	●	●											10/06																				
0710	SUPPORT BRACKET	61304977		●	●	●	●	●																															
0711	ELECTRICAL BOX COVER	61309689		●	●	●	●	●											02/04																				
	ELECTRICAL BOX COVER	61309689		●	●	●	●	●																															
0712	SIGHT GLASS	61303830		●	●	●	●	●																															
0713	LOWER PANEL - DOOR	61304422		●	●	●	●	●											02/04																				
	LOWER PANEL - DOOR	61314686		●	●	●	●	●										03/04																					
0714	WHITE KNOB	61305543		●	●	●	●	●											02/04																				
	WHITE KNOB	61313799		●	●	●	●	●										05/04																					
	WHITE KNOB	61315612		●	●	●	●	●										03/04	04/04																				
0720	CENTRING PIECE	61010241		●	●	●	●	●																															
0723	DOOR ASSY	61306633		●	●	●	●	●											02/04																				
	DOOR ASSY	61316280		●	●	●	●	●										03/04																					
0725	CONNECTION BOX - ROOM THERMOS.	61306705		●	●	●	●	●																															
0726	FUSE 250V 2A - TEMPORIZED	61003456		●	●	●	●	●																															
0727	FUSE 250V 1.25A - TEMPORIZED	61003635		●	●	●	●	●																															
0728	FUSE 250V 0.315A - TEMPORIZED	61307845		●	●	●	●	●																															
0730	FEEDER	61306703		●	●	●	●	●											04/04																				
	CABLAGGIO D ALIMENTAZIONE	61311903		●	●	●	●	●										05/04																					
0731	CABLE	61305217		●	●	●	●	●											10/06																				
	CABLE	61311871		●	●	●	●	●										11/06																					
0732	CABLE	60000563		●	●	●	●	●										11/06																					
	CONNECTOR	61303358		●	●	●	●	●											04/04																				
	CABLE	61304954		●	●	●	●	●																															
	CABLE	61310977		●	●	●	●	●										05/04	10/06																				
0733	WIRE ASSEMBLY	60000553		●	●	●	●	●										11/06																					
	WIRE ASSEMBLY	60000564		●	●	●	●	●										11/06																					
	WIRE ASSEMBLY	60000565		●	●	●	●	●										11/06																					
	WIRE ASSEMBLY	61303355		●	●	●	●	●											04/04																				
	WIRE ASSEMBLY	61303731		●	●	●	●	●											04/04																				
	WIRE ASSEMBLY	61306312		●	●	●	●	●											04/04																				
	WIRE ASSEMBLY	61314264		●	●	●	●	●										05/04	10/06																				
	WIRE ASSEMBLY	61314268		●	●	●	●	●										05/04	10/06																				
	WIRE ASSEMBLY	61314269		●	●	●	●	●										05/04	10/06																				
0734	EARTH WIRE	61305498		●	●	●	●	●											10/06																				
0735	EARTH WIRE	61303360		●	●	●	●	●																															
0748	PRINTED CIRCUIT BOARD	61313103		●	●	●	●	●										05/04																					



☉⇒	Description	Manf. Pt. N	Type	NIAGARA DELTA 24 CF NIAGARA DELTA 24 VMC NIAGARA DELTA 24 FF NIAGARA DELTA 28 CF NIAGARA DELTA 28 FF NIAGARA DELTA 30 FF																	
				1	2	3	4	5	6	7	8	9	10	11	12	13	14	15	16	17	18
0800	CHASSIS-FRONT CASE																				
0802	CASING	61306621		●	●	●	●	●	●												
0803	PROTECTING PLATE	61303185		●	●	●	●	●	●												
0804	EXPANSION VESSEL	60056676-06		●	●	●	●	●	●												
0805	FLEXIBLE PIPE KIT	61306594		●	●	●	●	●	●												
0806	PLATE	61306066		●	●	●	●	●	●												
0807	SHEET GASKET D: 12-6-2	61308868		●	●	●	●	●	●												
0808	O-RING D: 8.9-2.7	61009834-14		●	●	●	●	●	●												
0809	CLIP	61010005		●	●	●	●	●	●												
0810	SUPPORT BRACKET	61305617		●	●	●	●	●	●												
0811	TAPPING SCREW CBLX D: 6.3-13	61010648		●	●	●	●	●	●												
0812	TAPPING SCREW CBLX D:4.2-12.5	61010847		●	●	●	●	●	●												
0813	TAPPING SCREW CBLX D: 4.2-9.5	61010125		●	●	●	●	●	●												

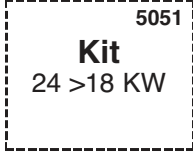
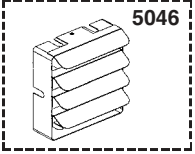
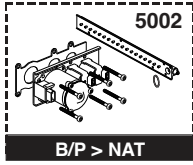
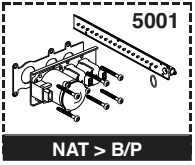


☉➔	Description	Manf. Pt. N	Type	NIAGARA DELTA 24 CF NIAGARA DELTA 24 VMC NIAGARA DELTA 24 FF NIAGARA DELTA 28 CF NIAGARA DELTA 28 FF NIAGARA DELTA 30 FF																	
				1	2	3	4	5	6	7	8	9	10	11	12	13	14	15	16	17	18

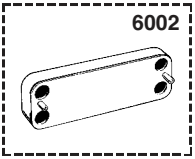
31

0900	JIG PLATE & PIPE FITTING																			
0901	WATER FLOW & RETURN SERVI. TAP	61303031		•	•	•	•	•												06/04
	WATER FLOW & RETURN SERVI. TAP	61313367		•	•	•	•	•												07/04
0902	WATER TAP	61303034		•	•	•	•	•												06/04
	WATER TAP	61313368		•	•	•	•	•												07/04
0903	GAS SERVICE TAP	61303032		•	•	•	•	•												06/04
	GAS SERVICE TAP	61313366		•	•	•	•	•												07/04
0904	FAN PLATE MOUNTING	61315461		•	•	•	•	•												
0905	PLATE	61313361		•	•	•	•	•												
0907	TAPPING SCREW CBL SX D: 4.2-9.5	61010125		•	•	•	•	•												
0910	WASHER D: 18.4-12.2-1.5	60061855-14		•	•	•	•	•												
0911	SHEET GASKET D: 24-17-1.5	60061855-19		•	•	•	•	•												
0912	SHEET GASKET D: 24-18.2-1.5	60022835-01		•	•	•	•	•												
0913	GAS FILTER	60037309		•	•	•	•	•												
0918	LOCK NUT	60031140		•	•	•	•	•												
0920	CONTRODADO H 1/2	60031139		•	•	•	•	•												
0921	FIXING KIT	61303711		•	•	•	•	•												
0922	GASKETS SET	61305175		•	•	•	•	•												06/04
	GASKETS SET	61316122		•	•	•	•	•												07/04
0931	JIG PLATE	61303026		•	•	•	•	•												06/04
	JIG PLATE	61316123		•	•	•	•	•												07/04
0932	FIXING KIT - THIN PARTITION	60001088		•	•	•	•	•												

5000



6000





☉⇒	Description	Manf. Pt. N	Type	NIAGARA DELTA 24 CF NIAGARA DELTA 24 VMC NIAGARA DELTA 24 FF NIAGARA DELTA 28 CF NIAGARA DELTA 28 FF NIAGARA DELTA 30 FF														31
				1	2	3	4	5	6	7	8	9	10	11	12	13	14	

5000	ACCESSORIES			1	2	3	4	5	6	7	8	9	10	11	12	13	14	15	16	17	18		
5001	CONVERSION KIT NAT > LPG	60000658		•	•																	11/06	
	CONVERSION KIT NAT > LPG	60000660				•																11/06	
	CONVERSION KIT NAT > LPG	60000662					•															11/06	
	CONVERSION KIT NAT > LPG	60000664							•													11/06	
	CONVERSION KIT NAT > LPG	61306185		•	•																	10/06	
	CONVERSION KIT NAT > LPG	61306186				•																10/06	
	CONVERSION KIT NAT > LPG	61306187							•													10/06	
	CONVERSION KIT NAT > LPG	61306961								•												10/06	
	CONVERSION KIT NAT > LPG	61311088							•													10/06	
5002	CONVERSION KIT LPG > NAT	60000659		•	•																	11/06	
	CONVERSION KIT LPG > NAT	60000661				•																11/06	
	CONVERSION KIT LPG > NAT	60000663							•													11/06	
	CONVERSION KIT LPG > NAT	60000665								•												11/06	
	CONVERSION KIT LPG > NAT	61306762		•	•						•											10/06	
	CONVERSION KIT LPG > NAT	61306763				•																10/06	
	CONVERSION KIT LPG > NAT	61306764								•												10/06	
	CONVERSION KIT LPG > NAT	61306978									•											10/06	
	CONVERSION KIT LPG > NAT	61311054							•													10/06	
5046	DEFLECTOR 30DEG KIT	61014810				•		•	•														
5051	KIT N.DELTA 24>18 CF B/P	61309579	B/P	•																			
	KIT N.DELTA 24>18 CF NAT	61309577	NAT	•																			
6000	MAINTENANCE																						
6002	DESCALING INTERFACE/WATER EXCH	61011075		•	•	•	•	•	•														

## LIST OF THE ABBREVIATIONS

HW .....	: Hot water.
CW .....	: Cold water.
C .....	: Ceramic resistance (normal heating).
Ca .....	: Ceramic resistance (accelerated heating)
TP .....	: Immersion heater.
1F .....	: With fittings.
2F .....	: Without fittings.
3F .....	: With fittings and another outlet connection.
AMI .....	: With mixing valve.
SMI .....	: Without mixing valve.
PUISS .....	: Power of th appliance.
PN .....	: Appliance with normal pression.
LP .....	: Appliance with low pression.
PV .....	: Appliance with variable power.
PF .....	: Appliance with fixed power.

## IDENTIFICATION PLATE

### SERIAL NUMBER

<b>10 Characters :</b>	04 05 125 011	
		Sequential number
		Manufacturing day
		Year of manufacture
<b>11 Characters :</b>	1 95 065004 - 31	
Month of manufacture :		Technical number of the appliance
from 1 to 9 → Jan. to Sep.,		Sequential number
O → Oct., N → Nov.,		Year of manufacture
D → Dec.		
<b>19 Characters :</b>	08 05 0013199 900640031	
Year of manufacture		Product reference
Month of manufacture		Sequential number
<b>20 Characters :</b>	3675007 XX 2 07 070 00315	
Product reference		Sequential number
Millenium of manufacture		Manufacturing day
		Year of manufacture
<b>21 Characters :</b>	3675007 XX 07 070 0000315	
Product reference		Sequential number
Year of manufacture		Manufacturing day

The indications mentioned on the prices, commercial or technical literature and the scheme are written for your guidance and are available at a given time. The CONSTRUCTOR retains the power to modify the presentation, the form, the size, the conception or the material of the products.