

SPARE PARTS EXPLODED VIEW GAS-WALL BOILER ATM. BURNER

Model

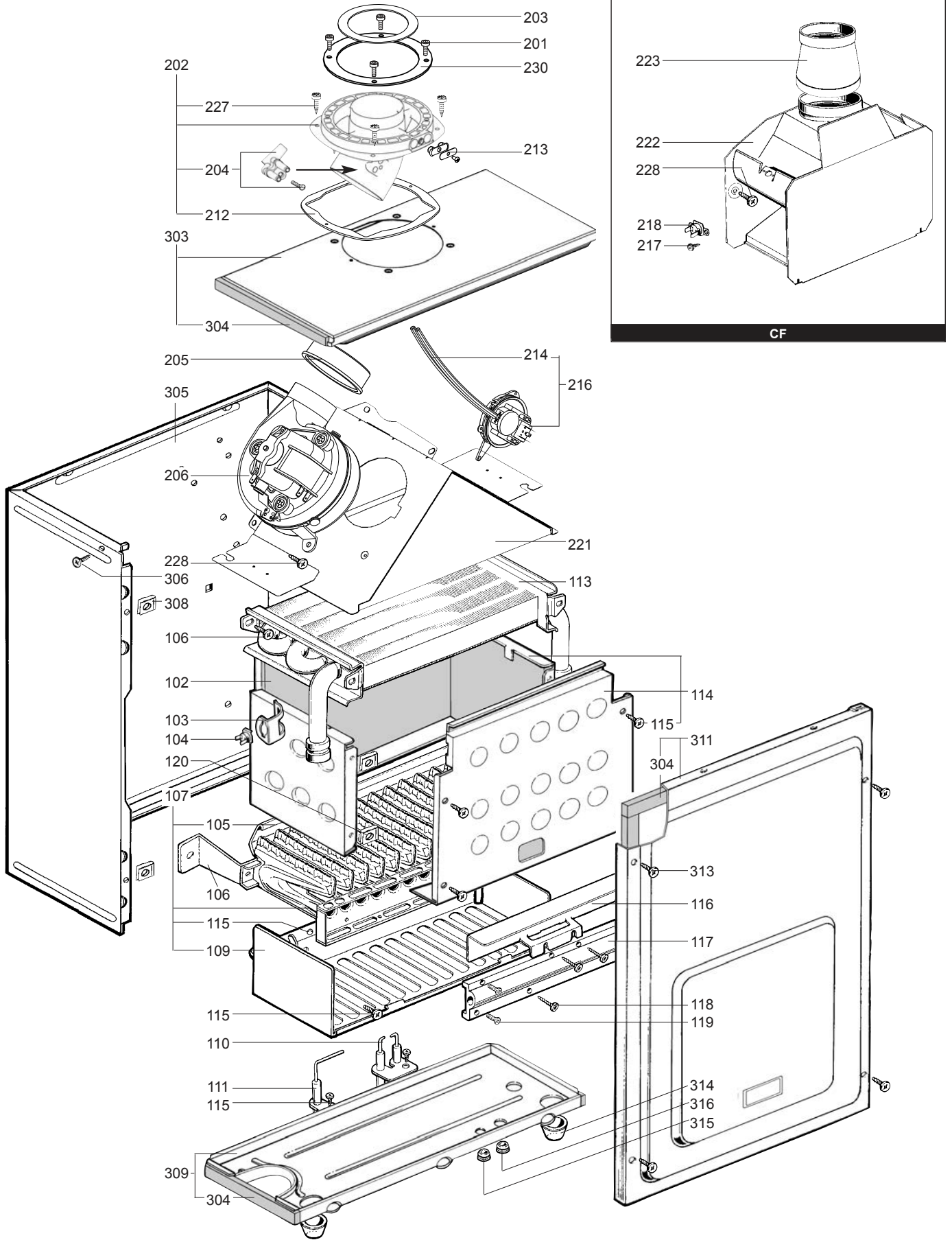
MC 2

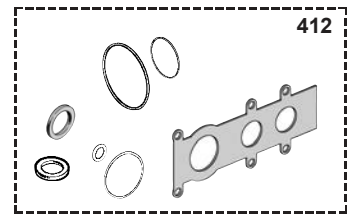
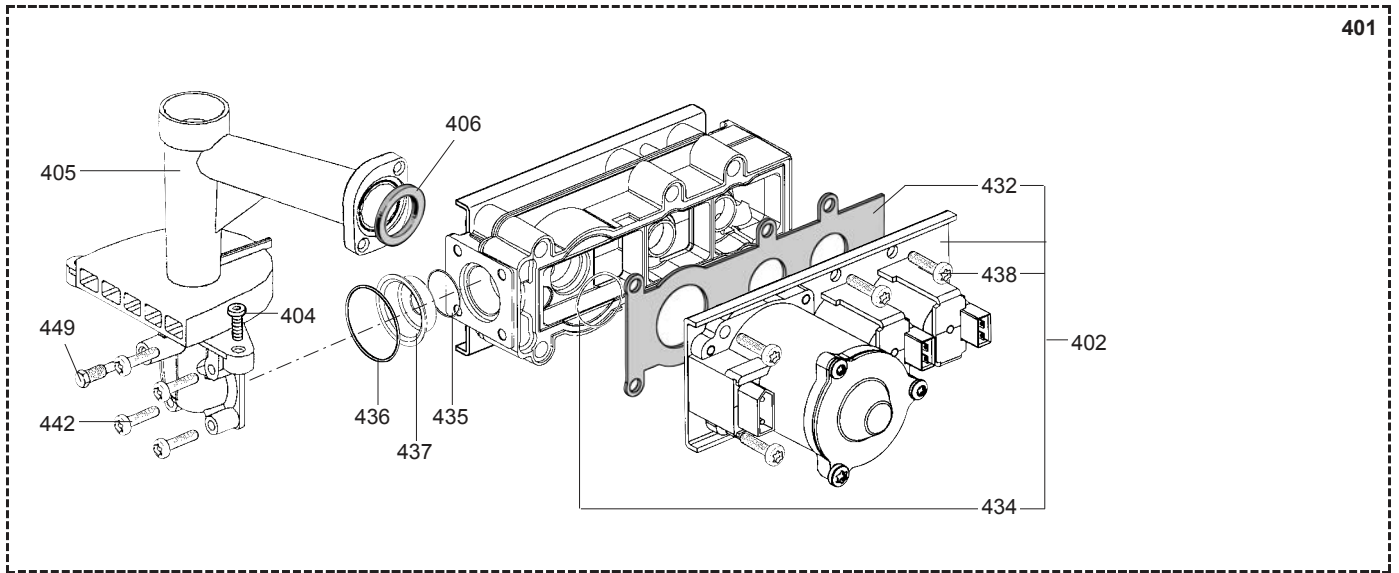
R8202626-04 - 22/01/2014

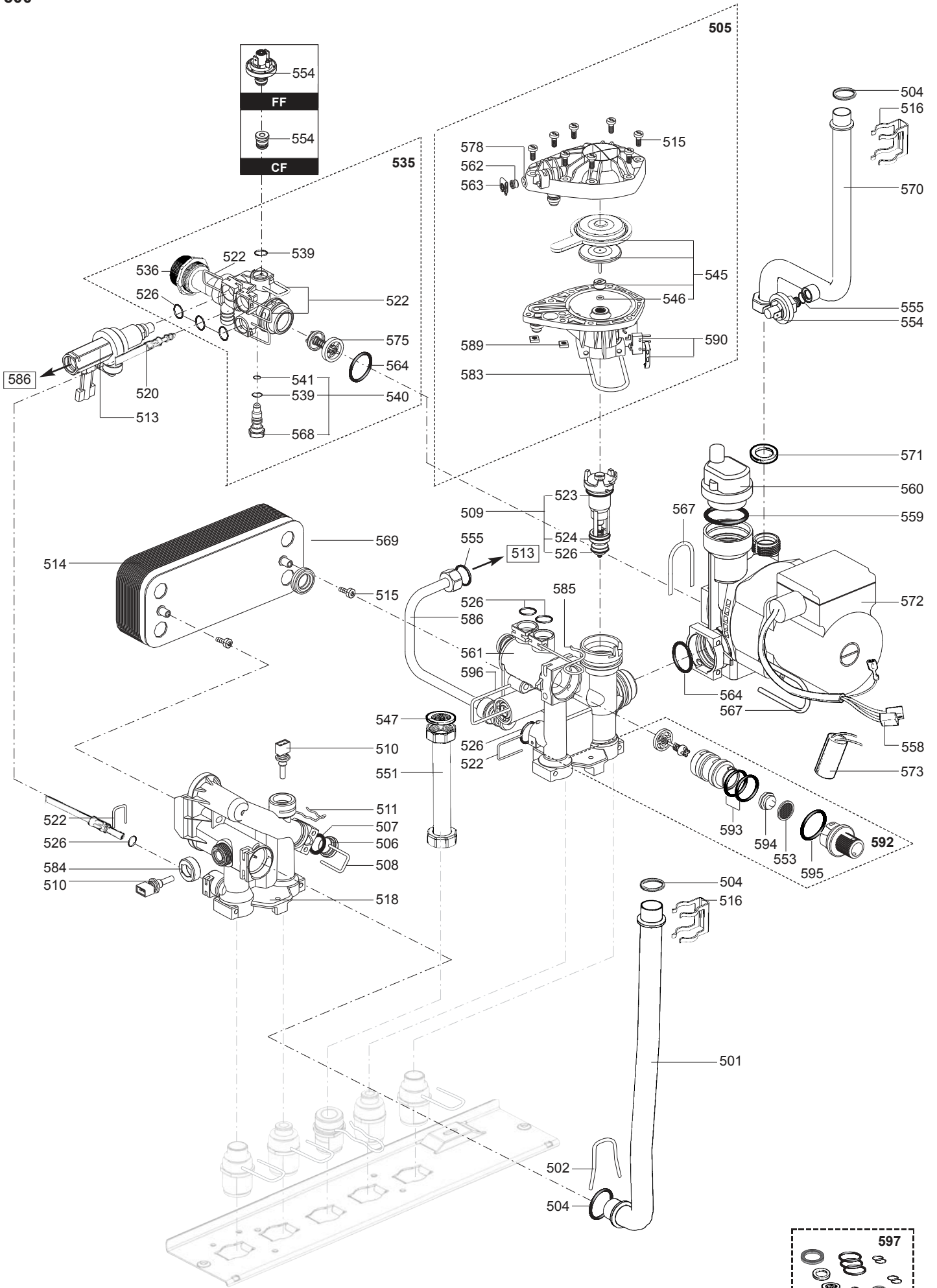
MC 2

Gas-wall boiler atm. burner

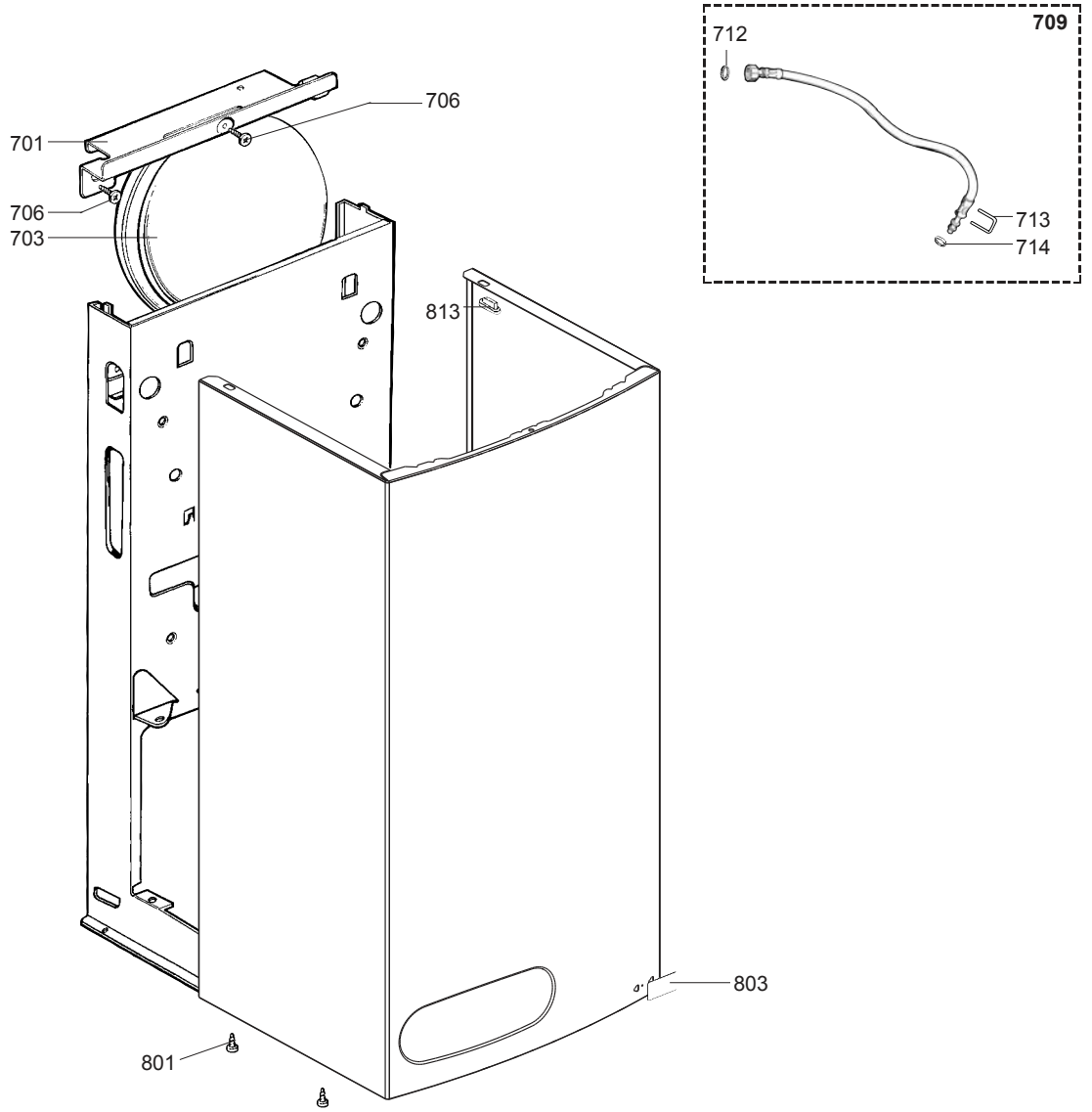
1	201606774031	MC 2 24 CF N BE	11-2002	08-2007
2	201606774037	MC 2 24 FF N BE	11-2002	08-2007
Col	Reference	Model type	Begin	End

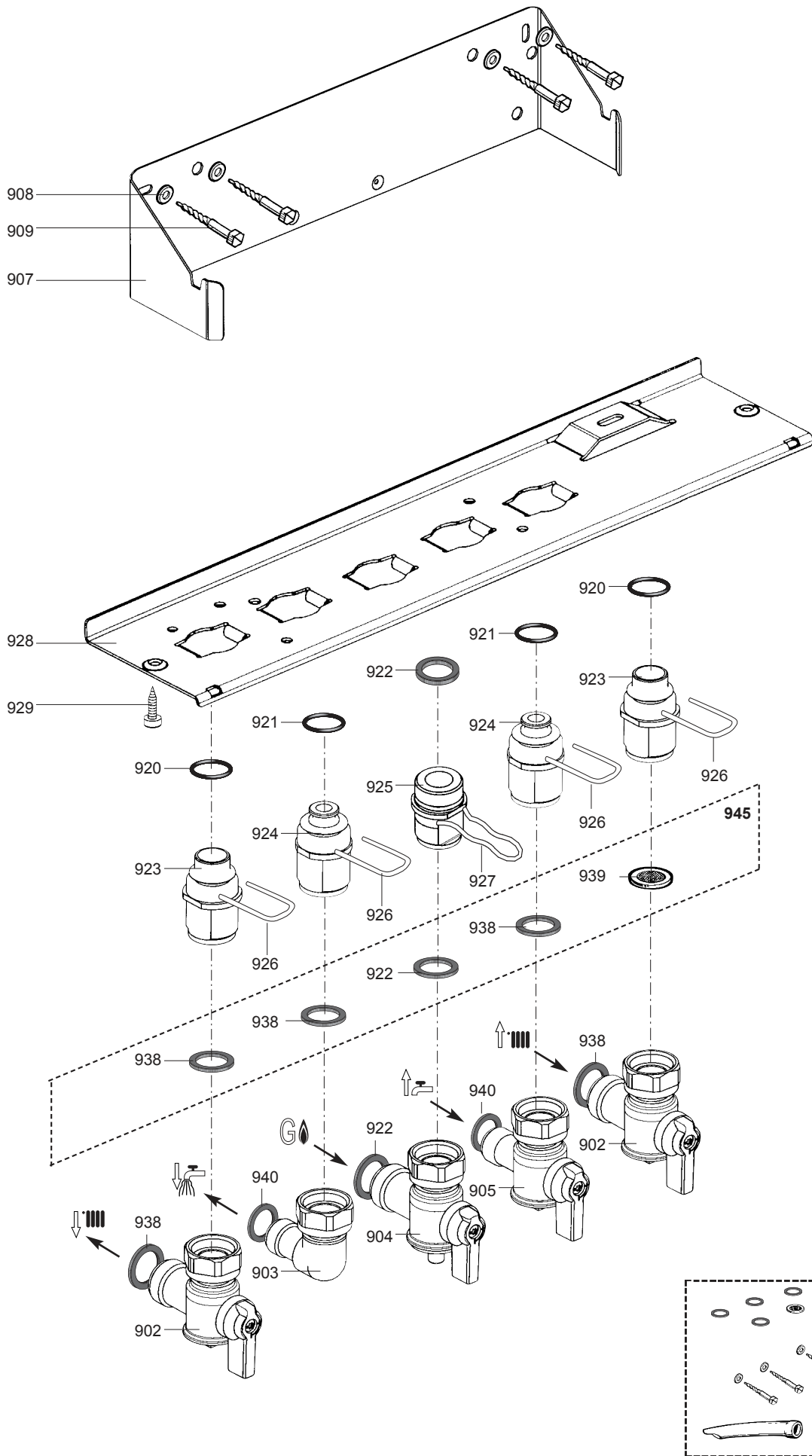






R8207237



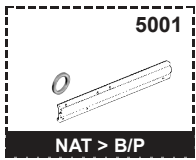


☞	Description	Manf. Pt. N	Type	<div style="float: right; border: 1px solid black; padding: 2px;">31</div> <div style="float: left; transform: rotate(-30deg); font-size: 8px;">MC 2-24 CF MC 2-24 FF</div>																		From	to					
				1	2	3	4	5	6	7	8	9	10	11	12	13	14	15	16	17	18							
0900	JIG PLATE & PIPE FITTING																											
0902	WATER FLOW & RETURN SERVI. TAP	61303534		•	•																							
0903	HOT WATE CONNECTION	61303532		•	•																							
0904	GAS SERVICE TAP	61303533		•	•																							
0905	COLD WATER TAP	61303535		•	•																							
0907	HOOKING BRACKET	61012457		•	•																							
0908	WASHER D: 14.2-7.2-1.2	60005369-03		•	•																							
0909	WOOD SCREW	60025617-03		•	•																							
0920	O-RING D: 17-4	60024164-51		•	•																							
0921	O-RING D: 10.5-2.7	60024164-15		•	•																							
0922	SHEET GASKET D: 24-18.2-1.5	60022835-01		•	•																							
0923	CONNECTION	61301965		•	•																							
0924	CONNECTION	61302474		•	•																							
0925	CONNECTION	61303071		•	•																							
0926	PIN	61302332		•	•																							
0927	PIN	61305179		•	•																							
0928	HYDRAULIC PLATE	61301793		•	•																							
0929	TAPPING SCREW CBLX D: 6.3-13	61010648		•	•																							
0938	SHEET GASKET D: 24-17-1.5	60061855-19		•	•																							
0939	WATER FILTER	60039803		•	•																							
0940	WASHER D: 18.4-12.2-1.5	60061855-14		•	•																							
0945	GASKETS SET	61304273		•	•																							
0946	JIG PLATE	61303832		•	•																							

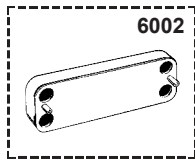
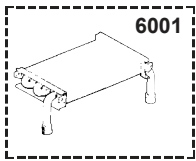
MC 2

Gas-wall boiler atm. burner

5000



6000



①	Description	Manf. Pt. N	Type	<div style="float: right; border: 1px solid black; padding: 2px;">31</div> MC 2 24 CF MC 2 24 FF																		From	to						
				1	2	3	4	5	6	7	8	9	10	11	12	13	14	15	16	17	18								
5000 ACCESSORIES																													
5001	CONVERSION KIT NAT > LPG	61018431		●	●																								
5053	D.H.W. EXPANSION VESSEL KIT	61305469		●	●																								
6000 MAINTENANCE																													
6001	DESCALING INTERFACE/HEAT EXCHA	61014100		●	●																								
6002	DESCALING INTERFACE/WATER EXCH	61011075		●	●																								
6003	FILLING TEST KIT	61305402		●	●																								

LIST OF THE ABBREVIATIONS

HW	: Hot water.
CW	: Cold water.
C	: Ceramic resistance (normal heating).
Ca	: Ceramic resistance (accelerated heating)
TP	: Immersion heater.
1F	: With fittings.
2F	: Without fittings.
3F	: With fittings and another outlet connection.
AMI	: With mixing valve.
SMI	: Without mixing valve.
PUISS	: Power of th appliance.
PN	: Appliance with normal pression.
LP	: Appliance with low pression.
PV	: Appliance with variable power.
PF	: Appliance with fixed power.

IDENTIFICATION PLATE

SERIAL NUMBER

10 Characters :	04 05 125 011	Sequential number
		Manufacturing day
		Year of manufacture
11 Characters :	1 95 065004 - 31	Technical number of the appliance
Month of manufacture :		Sequential number
from 1 to 9 → Jan. to Sep.,		Year of manufacture
O → Oct., N → Nov.,		
D → Dec.		
19 Characters :	08 05 0013199 900640031	Product reference
Year of manufacture		Sequential number
Month of manufacture		
20 Characters :	3675007 XX 2 07 070 00315	Sequential number
Product reference		Manufacturing day
Millenium of manufacture		Year of manufacture
21 Characters :	3675007 XX 07 070 0000315	Sequential number
Product reference		Manufacturing day
Year of manufacture		