

# SPARE PARTS EXPLODED VIEW GAS WALL BOILERS

Model

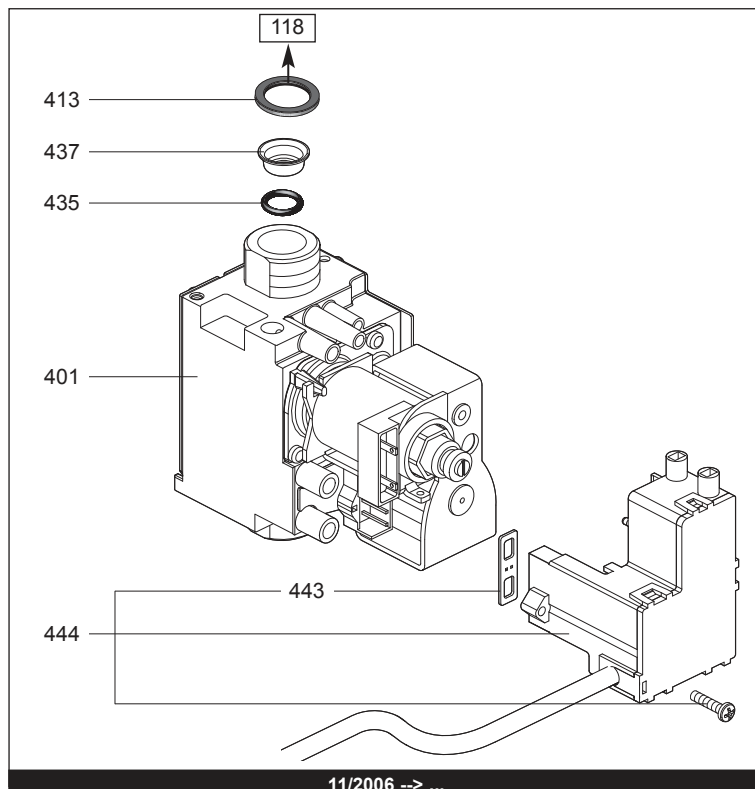
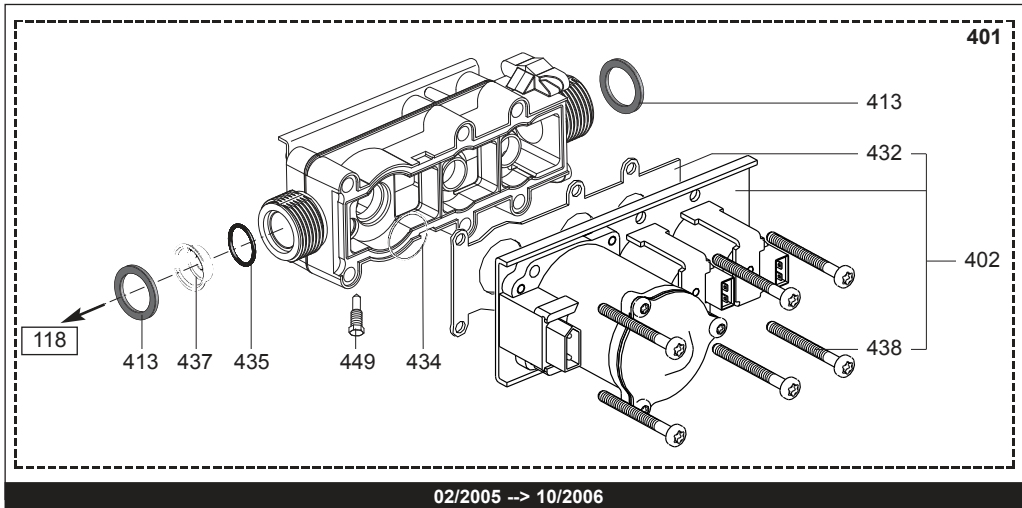
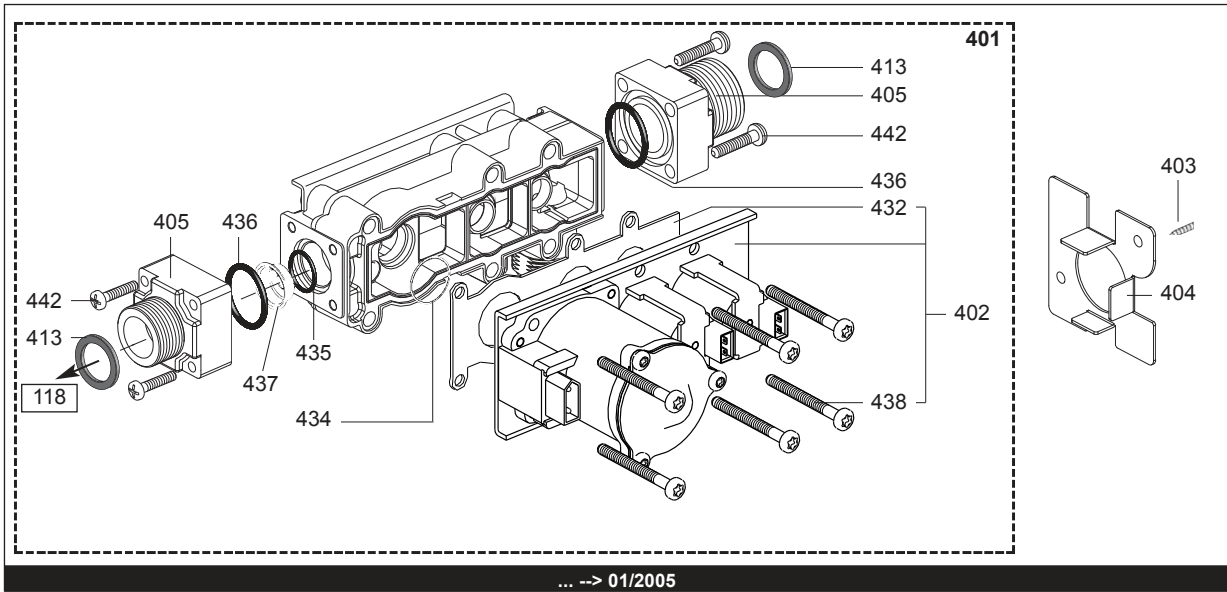
## **AMPHORA DELTA**

R8202802-13 - 27/08/2012

1	365 0000	AMPHORA DELTA 24 CF NAT FR	09/04	09/07
1	365 0004	AMPHORA DELTA 24 CF B/P FR	09/04	09/07
2	365 0001	AMPHORA DELTA 24 VMC NAT FR	10/04	09/07
3	365 0002	AMPHORA DELTA 24 FF NAT FR	09/04	09/07
3	365 0005	AMPHORA DELTA 24 FF B/P FR	09/04	09/07
4	365 0003	AMPHORA DELTA 28 FF NAT FR	09/04	09/07
4	365 0006	AMPHORA DELTA 28 FF B/P FR	09/04	09/07
Col	Reference	Model type	Begin	End



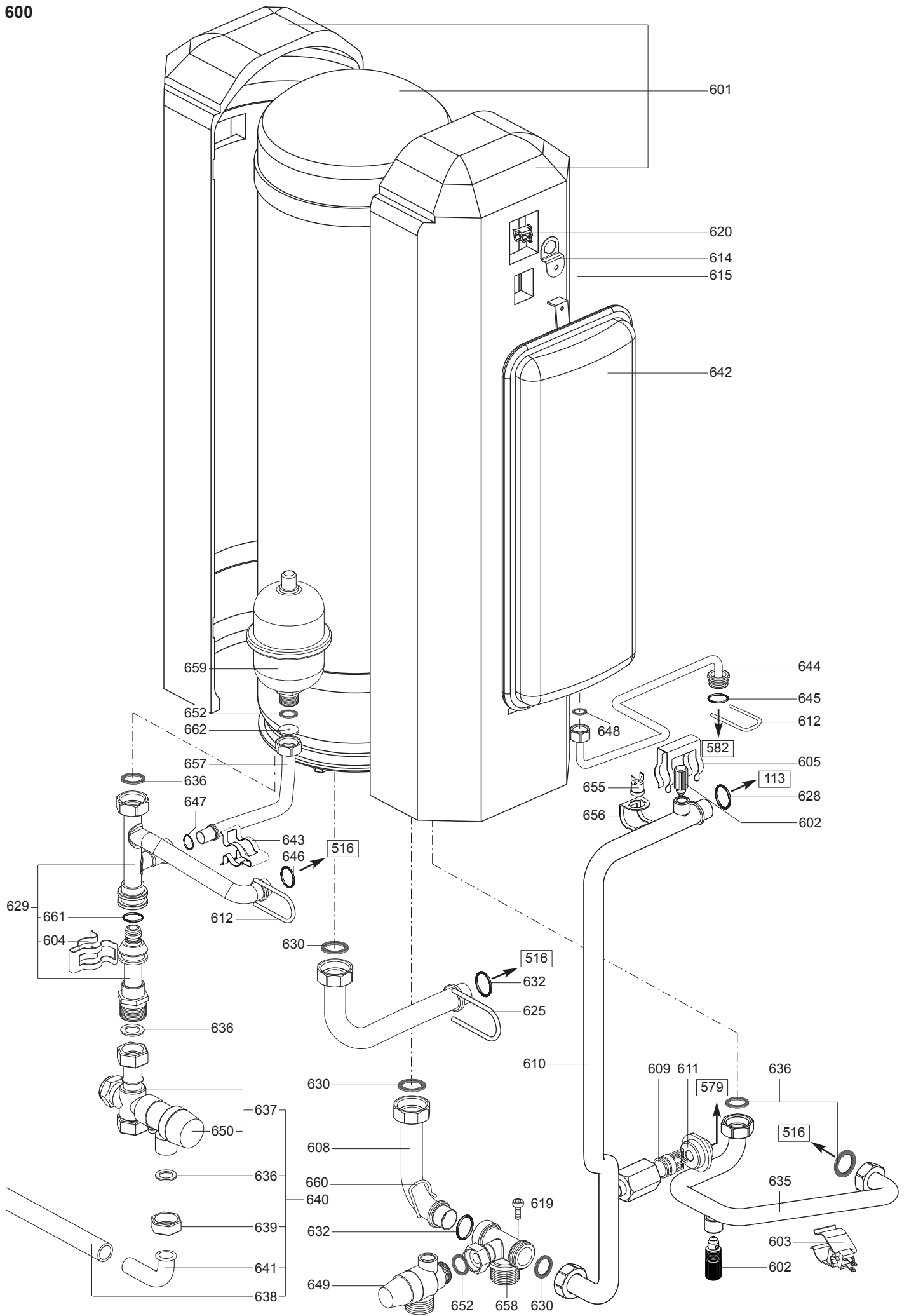






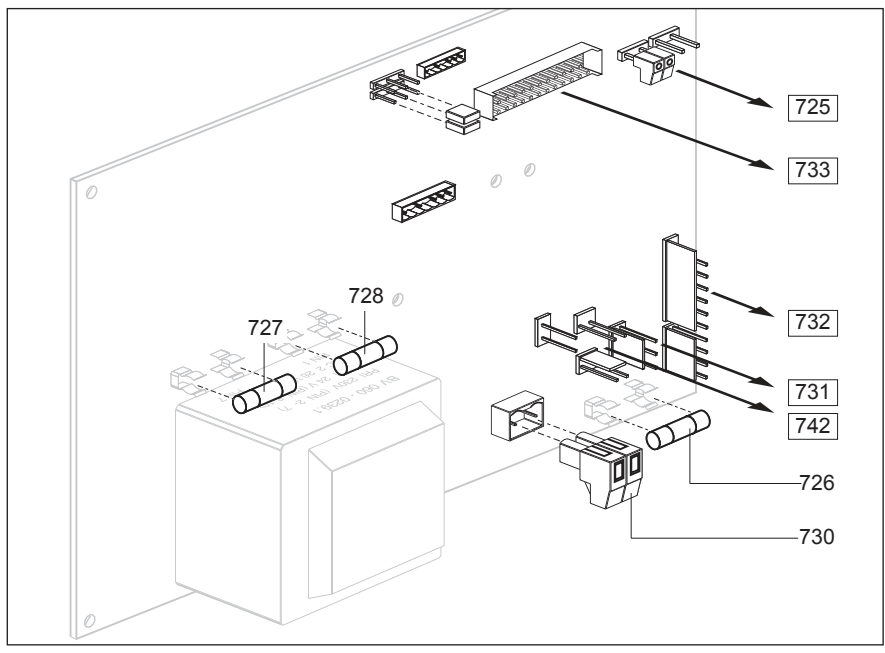
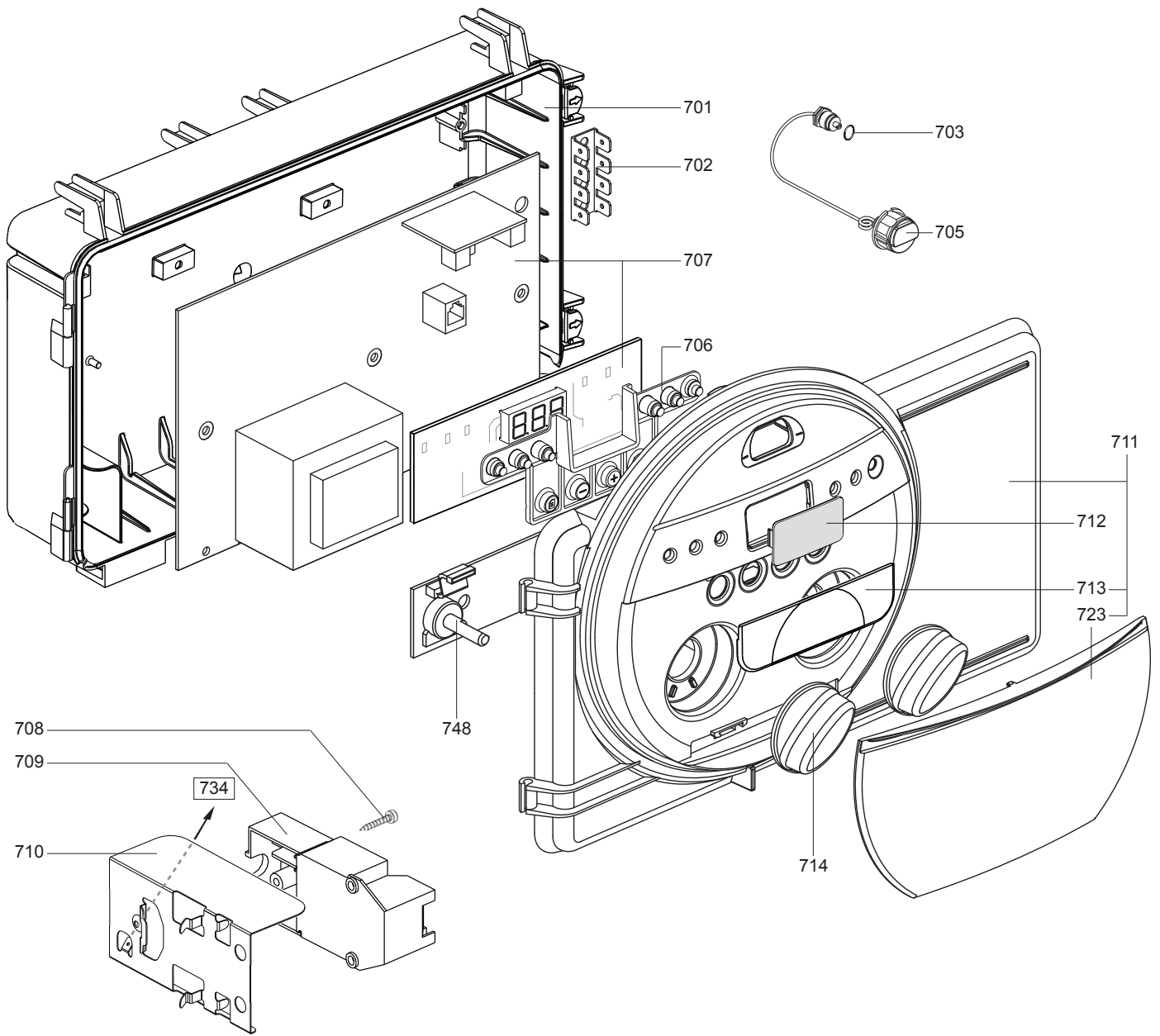


☉⇒	Description	Manf. Pt. N	Type	<div style="display: flex; justify-content: space-between; align-items: center;"> <div style="writing-mode: vertical-rl; transform: rotate(180deg); font-size: 8px;">           AMPHORA DELTA 24 CF            AMPHORA DELTA 24 VMC            AMPHORA DELTA 24 FF            AMPHORA DELTA 28 FF         </div> <div style="border: 1px solid black; padding: 2px;">31</div> </div>																	
				1	2	3	4	5	6	7	8	9	10	11	12	13	14	15	16	17	18
0500	HYDRAULIC BLOCK																				
0502	MOTOR (3-WAY VALVE)	997147		●	●	●	●														
0504	SCREW (M4X102)	990438		●	●	●	●														
0505	MOTOR SUPPORT	65100770		●	●	●	●														
0508	O-RING	990488		●	●	●	●														
0509	O-RING	990489		●	●	●	●														
0511	AUTO AIR VENT WITH O-RING	995865		●	●	●	●														
0513	FIXING BRACKET (RETURN PIPE)	65100038		●	●	●	●														
0514	U-CLIP	65100421		●	●	●	●														
0516	WATER/WATER HEAT BLOCK ASSY	61313050		●	●	●	●														
0518	O-RING D: 17-4	60024164-51		●	●	●	●														
0520	SCREW CX M 5-12	61011224		●	●	●	●														
0521	PLUG (DIVERter VALVE)	990390		●	●	●	●														
0522	WATER / WATER HEAT EXCHANGER 16	61314111		●	●	●	●														
0523	O-RING D: 13.6-2.7	60021061-18		●	●	●	●														
0525	PIN	61313804		●	●	●	●														
0526	U-CLIP	990385		●	●	●	●														
0529	SCREW HX M 5-12	61010131		●	●	●	●														
0530	SCREW HSX M 4-8	61016449		●	●	●	●														
0532	O-RING	990387		●	●	●	●														
0534	GASKET	65100513		●	●	●	●														
0538	PUMP MOTOR	61315654		●	●	●	●														
0540	GASKET (PUMP HEAD)	998738		●	●	●	●														
0543	D.H.W. FLOW SWITCH	995948		●	●	●	●														
0548	CLIP	61010609		●	●	●	●														
0553	SCREW (M4X16)	65101433		●	●	●	●														
0556	SCREW (M6X15)	65101434		●	●	●	●														
0564	WASHER D: 18.4-12.2-1.5	60061855-14		●	●	●	●														
0566	MANIFOLD (C.W. INLET)	65101009		●	●	●	●														
0569	EXCHANGER GASKET	65104334		●	●	●	●														
0570	SPRING (DIVERter VALVE)	65101008		●	●	●	●														
0574	ASSEMBLED SHUTTER	65105144		●	●	●	●														
0575	O-RING	990392		●	●	●	●														
0579	BYPASS TUBE	61313869		●	●	●	●														
0580	O-RING	990393		●	●	●	●														
0581	FLANGE (C.H. RETURN)	995932		●	●	●	●														
0582	MANIFOLD (C.H. RETURN)	65104681		●	●	●	●														
0585	O-RING	995976		●	●	●	●														
0586	O-RING	998424		●	●	●	●														
0587	GASKET 3/8	573521		●	●	●	●														
0591	SCREW CBLS M 5-22	61314408		●	●	●	●														
0592	SERVICE KIT (DIVERter VALVE)	65101288		●	●	●	●														

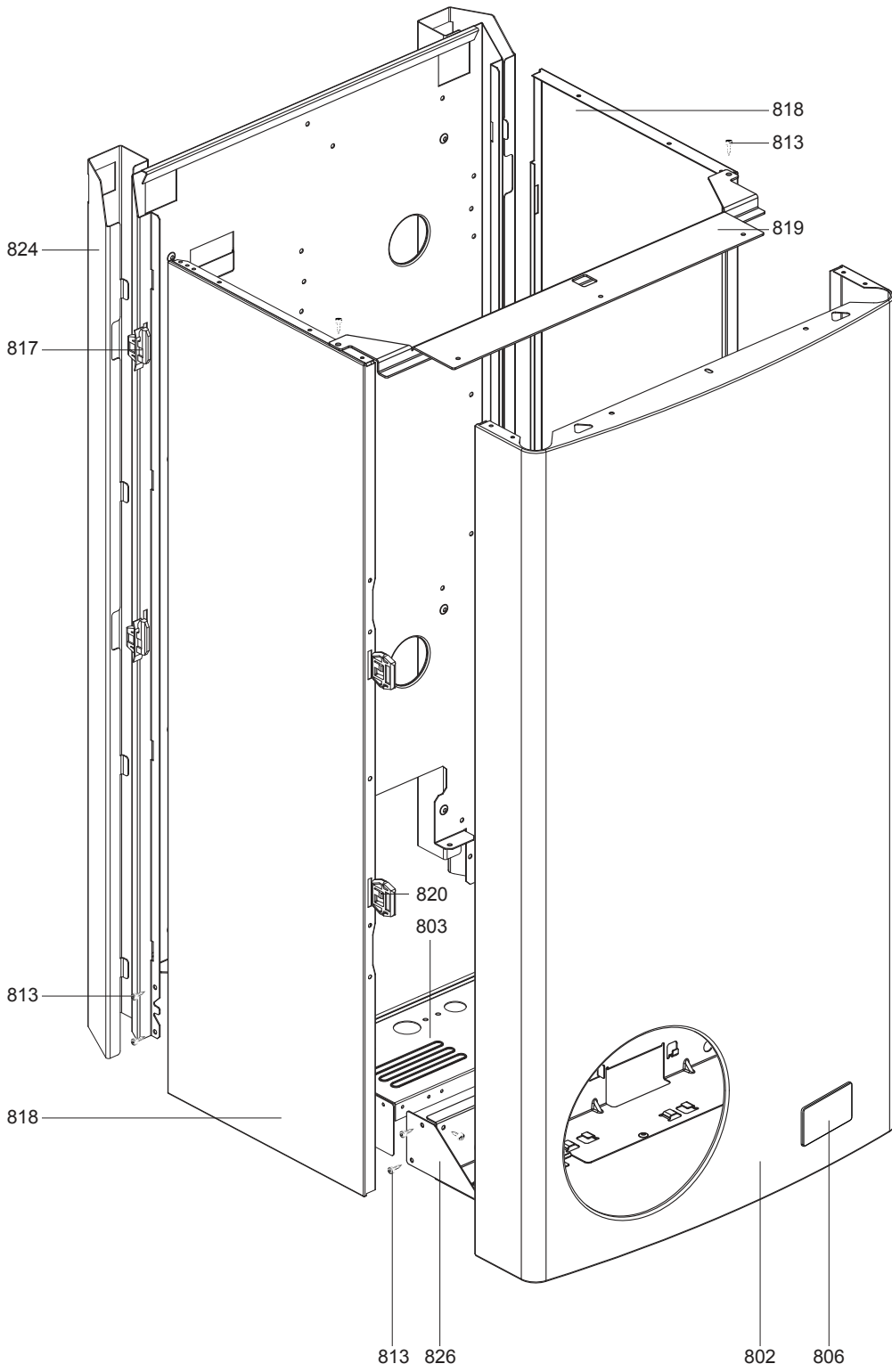




☉→	Description	Manf. Pt. N	Type	AMPHORA DELTA 24 CF AMPHORA DELTA 24 VMC AMPHORA DELTA 24 FF AMPHORA DELTA 28 FF																	
				1	2	3	4	5	6	7	8	9	10	11	12	13	14	15	16	17	18
0600	<b>HOT WATER TANK</b>																				
0601	HOT WATER TANK 20L	61313378		•	•	•	•														
	GASKET	61317345		•	•	•	•														
0602	DRAIN SCREW ASSY	60081028		•	•	•	•														
0603	PROBE NTC	65101435		•	•	•	•														
0604	CLIP	61012983		•	•	•	•														
0605	CLIP	61010609		•	•	•	•														
0608	SHORT CIRCUIT TUBE	61313098		•	•	•	•														
0609	BY-PASS	999473		•	•	•	•														
0610	HEATING FLOW BEND	61313806		•	•	•	•														
0611	PLUG	61313809		•	•	•	•														
0612	U-CLIP	990385		•	•	•	•														
0614	SUPPORT	61303369		•	•	•	•														
0615	SCREW HSX M 5-8	61302631		•	•	•	•														
0619	SCREW HSX M 4-8	61016449		•	•	•	•														
0620	THERMISTOR	61314258		•	•	•	•														
0625	U-CLIP	997153		•	•	•	•														
0628	O-RING	998424		•	•	•	•														
0629	COLD WATER TUBE	61401039		•	•	•	•														
0630	GASKET 3/4	573520		•	•	•	•														
0632	O-RING D: 17-4	60024164-51		•	•	•	•														
0635	HOT WATER BEND	61313084		•	•	•	•														
0636	WASHER D: 18.4-12.2-1.5	60061855-14		•	•	•	•														
0637	PRESSURE RELIEF VALVE 7 BARS	61304749		•	•	•	•														
0638	TUBE PVC D: 13x17 L: 1M	60081266-02		•	•	•	•														
0639	NUT 1/2» THICK: 12	60020747-28		•	•	•	•														
0640	PRESSURE RELIEF VALVE KIT	61317360		•	•	•	•														
0641	CONNECTING PIPE	61010430		•	•	•	•														
0642	EXPANSION VESSEL 7L	65100471		•	•	•	•														
0643	CLIP	61001674		•	•	•	•														
0644	PIPE (EXPANSION VESSEL)	61314399		•	•	•	•														
0645	O-RING	995976		•	•	•	•														
0646	O-RING D: 13.6-2.7	60021061-18		•	•	•	•														
0647	O-RING D: 12.3-2.4	60024164-47		•	•	•	•														
0648	GASKET 3/8	573521		•	•	•	•														
0649	SAFETY VALVE	998447		•	•	•	•														
0650	VALVE 7 BARS	60000437		•	•	•	•														
0652	GASKET 1/2	573528		•	•	•	•														
0655	OVERHEAT THERMOSTAT 100C	61010572		•	•	•	•														
0656	CLIP	61010050		•	•	•	•														
0657	EXPANSION VESSEL TUBE	61313938		•	•	•	•														
0658	FLOW GROUP	65100469		•	•	•	•														
0659	EXPANSION VESSEL 0.5L	65101005		•	•	•	•														
0660	SPRING	65100449		•	•	•	•														
0661	O-RING D: 8.9-2.7	61009834-14		•	•	•	•														
0662	WATER RESTRICTOR D: 18.4	60000228		•	•	•	•														



☉⇒	Description	Manf. Pt. N	Type	<div style="display: flex; justify-content: space-between; align-items: center;"> <div style="transform: rotate(-45deg); font-size: small;">           AMPHORA DELTA 24 CF            AMPHORA DELTA 24 VMC            AMPHORA DELTA 24 FF            AMPHORA DELTA 28 FF         </div> <div style="border: 1px solid black; padding: 2px;">31</div> </div>																	
				1	2	3	4	5	6	7	8	9	10	11	12	13	14	15	16	17	18
0700	ELECTRICAL BOX																				
0701	BASE - BOX	61303242		●	●	●	●														
0702	CONNECTION STRIP	61002725		●	●	●	●														
0703	GASKET 1/4	569390		●	●	●	●														
0705	PRESSURE GAUGE	61314357		●	●	●	●														
0706	TRANSMITTER OF LEDS	61303464		●	●	●	●														
0707	PRINTED CIRCUIT BOARDS	60000390		●	●	●	●												10/06		
	PRINTED CIRCUIT BOARDS	60000484		●	●	●	●												11/06		
0708	TAPPING SCREW D: 3.5-9.5	61015329		●	●	●	●														
0709	IGNITER	61002105-20		●	●	●	●												10/06		
0710	SUPPORT BRACKET	61304977		●	●	●	●														
0711	ELECTRICAL BOX COVER	61309689		●	●	●	●												03/04		
0712	SIGHT GLASS	61303830		●	●	●	●														
0713	LOWER PANEL - DOOR	61314686		●	●	●	●														
0714	WHITE KNOB	61313799		●	●	●	●														
0723	DOOR ASSY	61317011		●	●	●	●														
0725	THERMOSTAT CABLE	61312402		●	●	●	●														
0726	FUSE 250V 2A - TEMPORIZED	61003456		●	●	●	●														
0727	FUSE 250V 1.25A - TEMPORIZED	61003635		●	●	●	●														
0728	FUSE 250V 0.315A - TEMPORIZED	61307845		●	●	●	●														
0730	CABLAGGIO D ALIMENTAZIONE	61311903		●	●	●	●														
0731	CABLE	61305217		●	●														10/06		
	CABLE	61311871		●	●														11/06		
0732	CABLE	60000563					●	●											11/06		
	CABLE	61310977					●	●											10/06		
0733	WIRE ASSEMBLY	60000524		●															11/06		
	WIRE ASSEMBLY	61314366					●	●											10/06		
	WIRE ASSEMBLY	61314368		●															10/06		
	WIRE ASSEMBLY	61315548					●												10/06		
	WIRE ASSEMBLY	60000561					●	●											11/06		
	WIRE ASSEMBLY	60000560					●												11/06		
0734	EARTH WIRE	61305498		●	●	●	●														
0742	CABLE (PUMP)	65100481		●	●	●	●														
0748	PRINTED CIRCUIT BOARD	61313103		●	●	●	●														

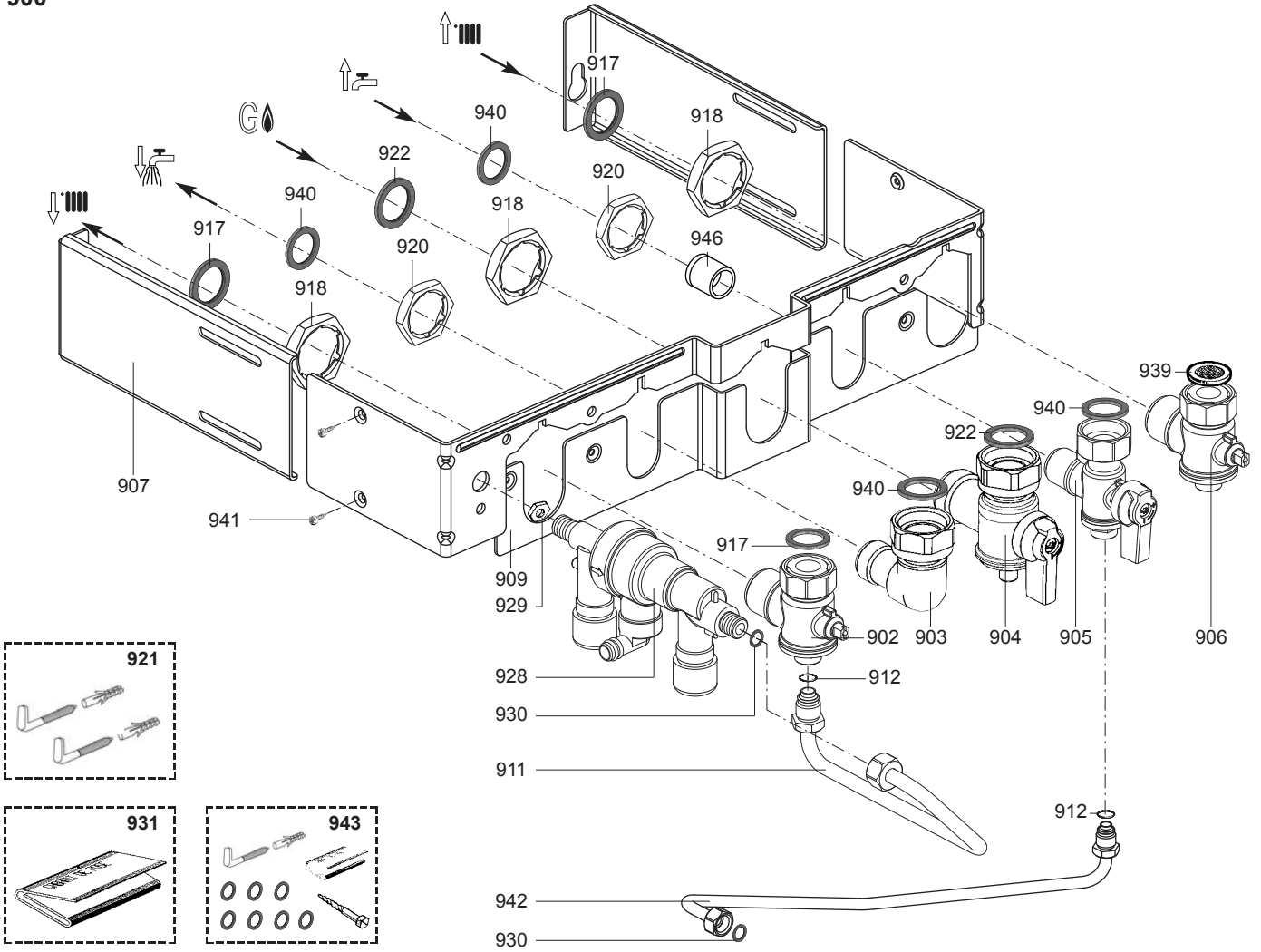




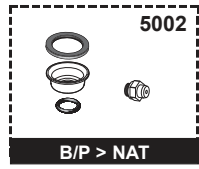
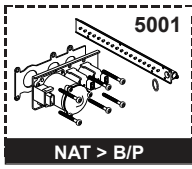
900

AMPHORA DELTA

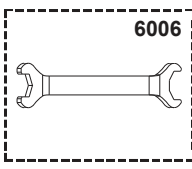
Domestic Gas Boilers



5000



6000





## LIST OF THE ABBREVIATIONS

HW .....	: Hot water.
CW .....	: Cold water.
C .....	: Ceramic resistance (normal heating).
Ca .....	: Ceramic resistance (accelerated heating)
TP .....	: Immersion heater.
1F .....	: With fittings.
2F .....	: Without fittings.
3F .....	: With fittings and another outlet connection.
AMI .....	: With mixing valve.
SMI .....	: Without mixing valve.
PUISS .....	: Power of th appliance.
PN .....	: Appliance with normal pression.
LP .....	: Appliance with low pression.
PV .....	: Appliance with variable power.
PF .....	: Appliance with fixed power.

## IDENTIFICATION PLATE

### SERIAL NUMBER

<b>10 Characters :</b>	04 05 125 011	
		Sequential number
		Manufacturing day
		Year of manufacture
<b>11 Characters :</b>	1 95 065004 - 31	
Month of manufacture :		Technical number of the appliance
from 1 to 9 → Jan. to Sep.,		Sequential number
O → Oct., N → Nov.,		Year of manufacture
D → Dec.		
<b>19 Characters :</b>	08 05 0013199 900640031	
Year of manufacture		Product reference
Month of manufacture		Sequential number
<b>20 Characters :</b>	3675007 XX 2 07 070 00315	
Product reference		Sequential number
Millenium of manufacture		Manufacturing day
		Year of manufacture
<b>21 Characters :</b>	3675007 XX 07 070 0000315	
Product reference		Sequential number
Year of manufacture		Manufacturing day

The indications mentioned on the prices, commercial or technical literature and the scheme are written for your guidance and are available at a given time. The CONSTRUCTOR retains the power to modify the presentation, the form, the size, the conception or the material of the products.