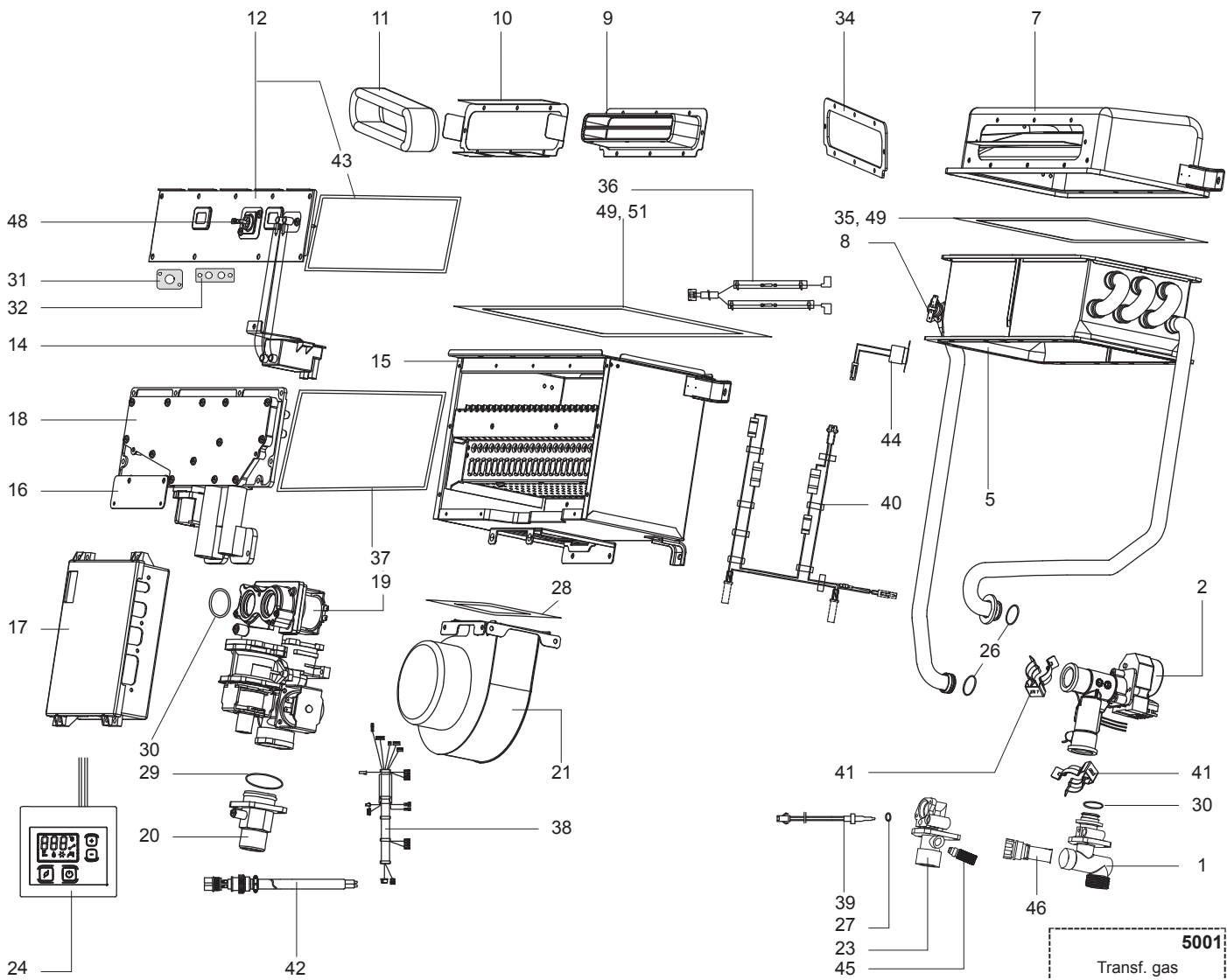
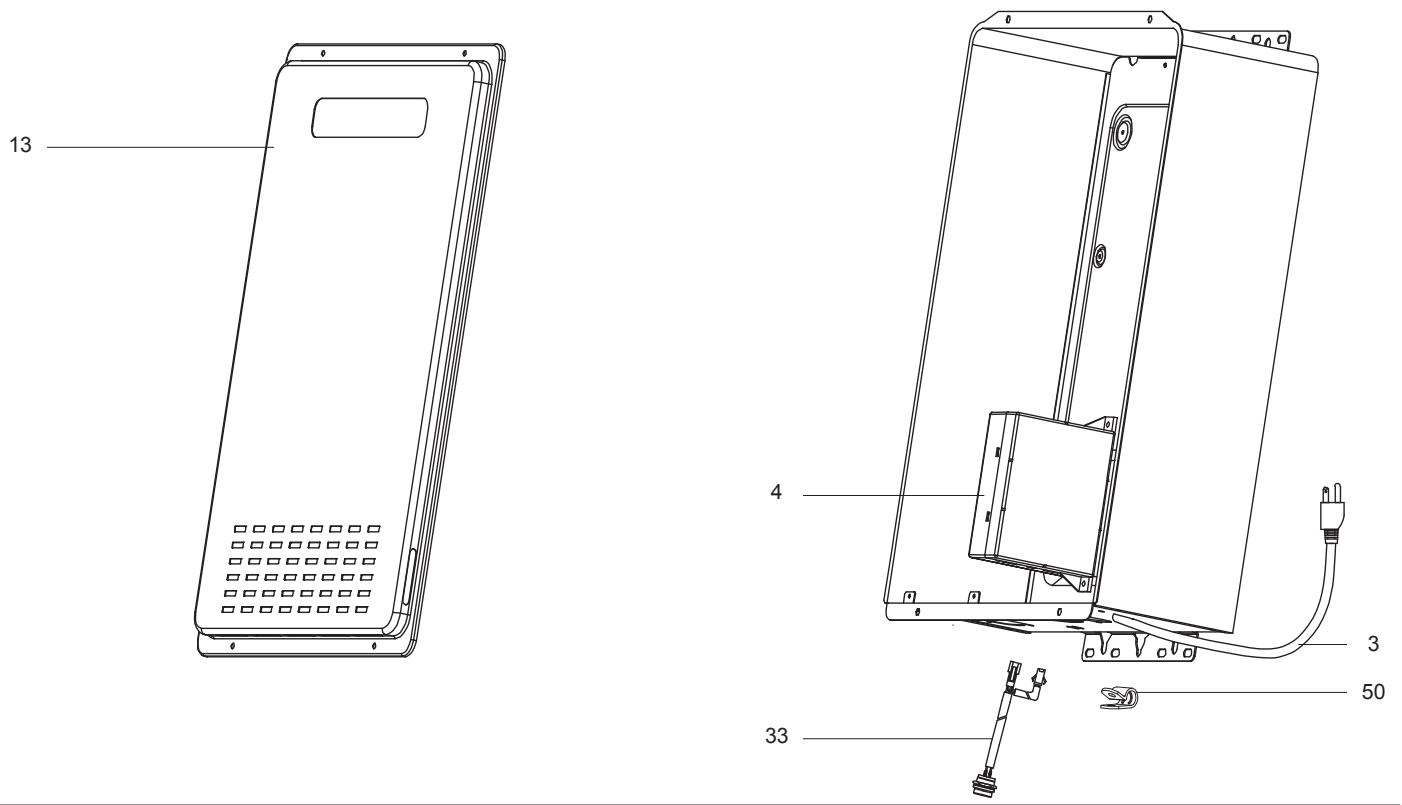


SPARE PARTS EXPLODED VIEW
INSTANTANEOUS GAS WATER HEATERS
Model
AVENIR PLUS LNX OUTDOOR

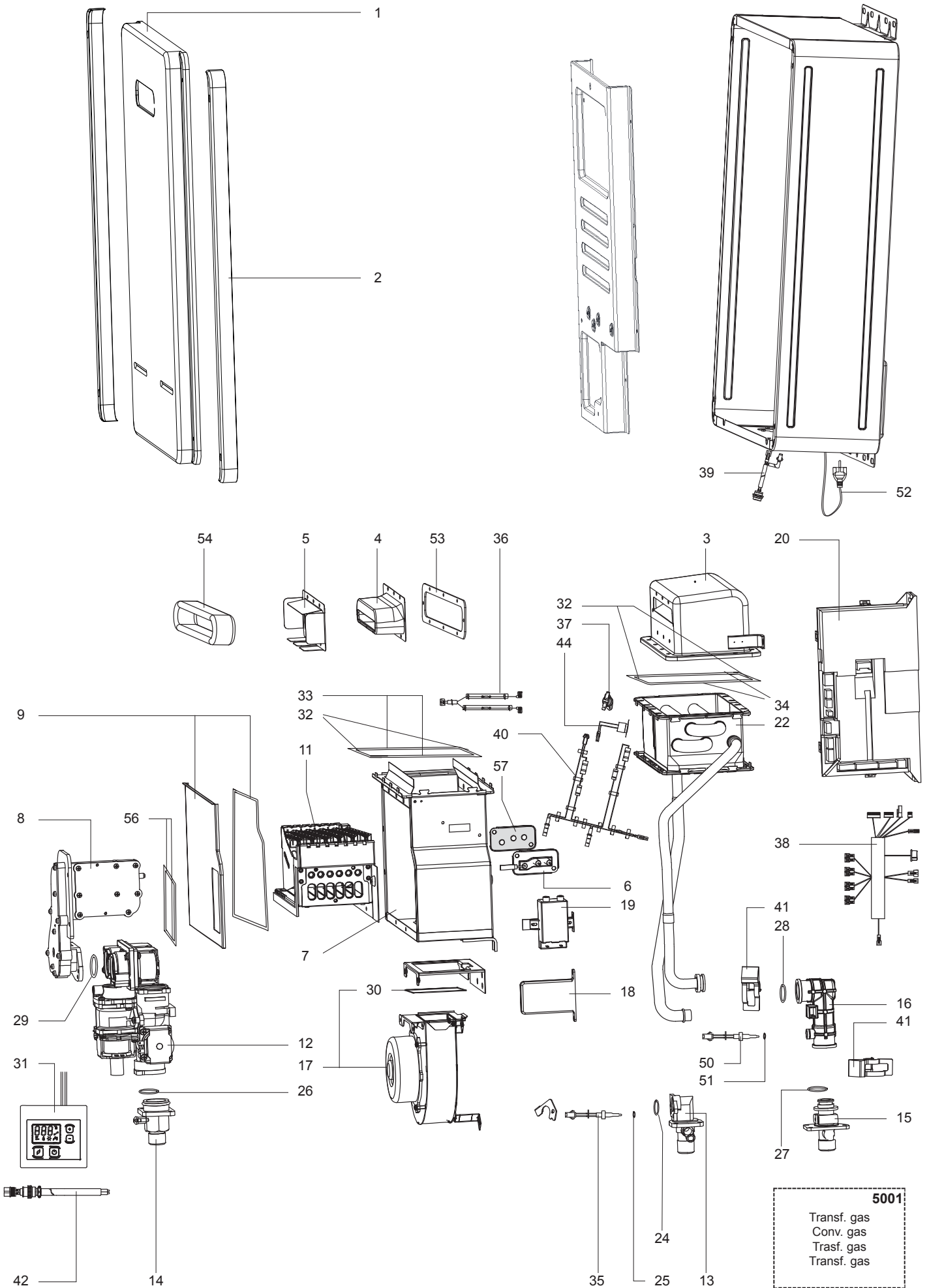
R8218205-04 - 04/02/2020

1	3632466	AVENIR PLUS LNX OUTDOOR 11 NG EU	11-2018	-
2	3632467	AVENIR PLUS LNX OUTDOOR 11 LPG EU	11-2018	-
3	3632468	AVENIR PLUS LNX OUTDOOR 16 NG EU	11-2018	-
4	3632469	AVENIR PLUS LNX OUTDOOR 16 LPG EU	11-2018	-
5	3632470	AVENIR PLUS LNX OUTDOOR 22 NG EU	08-2018	-
6	3632471	AVENIR PLUS LNX OUTDOOR 26 NG EU	08-2018	-
Col	Reference	Model type	Begin	End

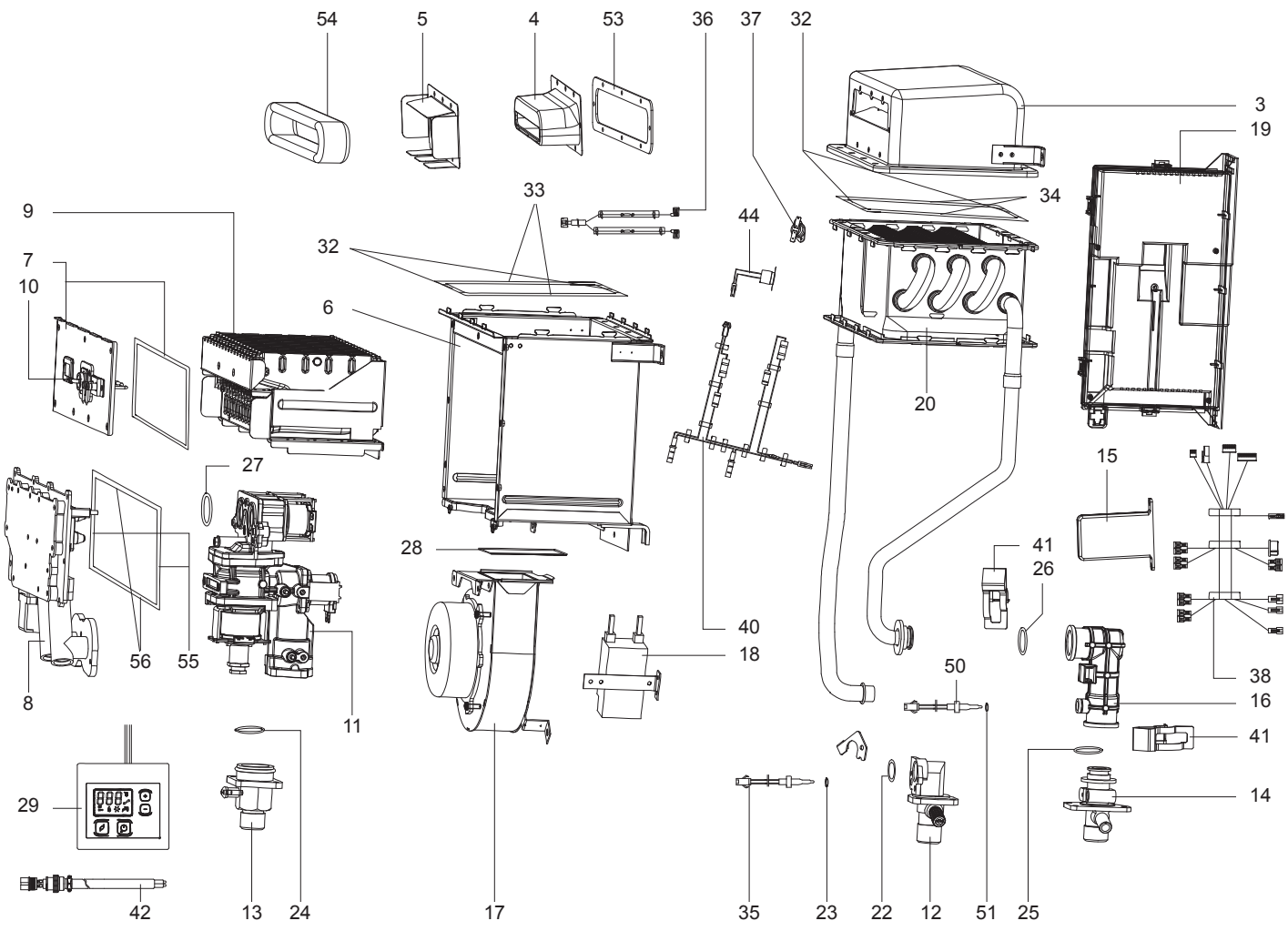
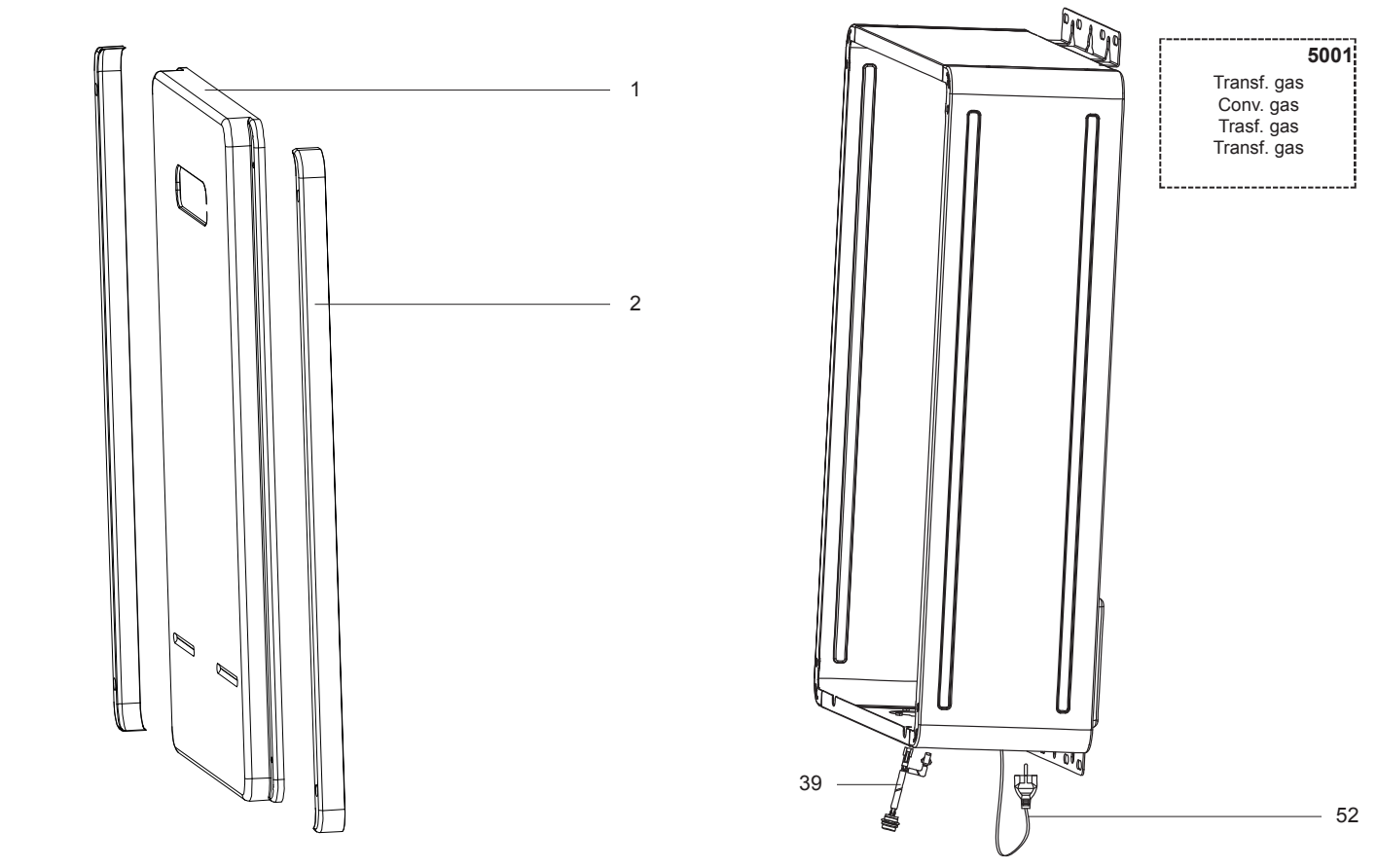


5001
Transf. gas
Conv. gas
Trasf. gas
Transf. gas

☉➔	Description	Manf. Pt. N	Type																			31	
				1	2	3	4	5	6	7	8	9	10	11	12	13	14	15	16	17	18	From	to
0001	WATER INLET JOINT ASSY	65153838						●	●														
0002	WATER PROPORTIONAL VALVE	65153839						●	●														
0003	CABLE (POWER SUPPLY)	65153840						●	●														
0004	SWITCHING POWER SUPPLY ASSY	65153842						●	●														
0005	HEAT EXCHANGER ASSY	65153843						●	●														
0007	FLUE HOOD	65153844						●	●														
0008	THERMOSTAT	65153815						●	●														
0009	SMOKE VENT	65153845						●	●														
0010	SMOKE VENT SUPPORT	65153846						●	●														
0011	SMOKE VENT GASKET	65153847						●	●														
0012	COMBUSTION CHAMBER PANEL ASSY	65153848						●	●														
0013	PANEL (FRONT)	65153942						●	●														
0014	SPARK GENERATOR+IGNIT.ELECTRODES	65153850						●	●														
0015	COMBUSTION CHAMBER	65153851						●	●														
0016	BRACKET	65153852						●	●														
0017	MAIN CONTROLLER ASSY	65153853						●	●														
0018	GAS MANIFOLD G20	65153854						●															
	GAS MANIFOLD G20	65153856							●														
	GAS TUBE ASSY G31	65153855						●															
	GAS TUBE ASSY G31	65153857							●														
0019	GAS VALVE	65153858						●	●														
0020	GAS INLET	65153859						●	●														
0021	FAN	65153860						●	●														
0023	WATER OUTLET	65153861						●	●														
0024	REMOTE CONTROL	65153863						●	●														
0026	O-RING	65153943						●	●														
0027	O-RING	65153944						●	●														
0028	GASKET (FAN)	65153945						●	●														
0029	O-RING	65153936						●	●														
0030	O-RING	65153932						●	●														
0031	GASKET (IONIZATION ELECTRODE)	65153941						●	●														
0032	GASKET (IGNITION ELECTRODE)	65153938						●	●														
0033	CONNECTING LINE	65154367						●	●														
0034	GASKET (SMOKE VENT)	65154370						●	●														
0035	GASKET (HEAT EXCHANGER)	65154486						●	●														
0036	WIRING (THERMOSTAT)	65154369						●	●														
0037	GASKET (GAS MANIFOLD)	65154212						●	●														
0038	WIRING	65154368						●	●														
0039	PROBE (HOT WATER)	65154199						●	●														
0040	ANTI-FREEZE DEVICE ASSY	65154365						●	●														
0041	CLIP	65154202						●	●														
0042	CABLE (REMOTE CONTROL)	65154215						●	●														
0043	GASKET (COMB.CHAMB.PANEL)	65154371						●	●														
0044	ANTI-FREEZE THERMOSTAT ASSY	65154366						●	●														
0045	SAFETY VALVE	65154203						●	●														
0046	FILTER WATER INLET	65154204						●	●														
0048	ELECTRODE (IONIZATION)	65153940						●	●														
0049	GASKET (COMB.CHAMBER)	65154484						●	●														
0050	CABLE CLAMP	65154487						●	●														
0051	GASKET (COMB.CHAMBER)	65154485						●	●														
5001	TRANSFORMATION NG TO AP 22-26 LNX	65119335	AP					●	●														
	TRANSFORMATION NG TO LPG 22-26 LNX	65119340	LPG					●	●														



Description	Manf. Pt. N	Type	<div style="display: flex; justify-content: space-around; align-items: center;"> <div style="border: 1px solid black; padding: 2px;">11 L NG</div> <div style="border: 1px solid black; padding: 2px;">11 L LPG</div> <div style="border: 1px solid black; padding: 2px;">16 L NG</div> <div style="border: 1px solid black; padding: 2px;">16 L LPG</div> <div style="border: 1px solid black; padding: 2px;">22 L NG</div> <div style="border: 1px solid black; padding: 2px;">26 L NG</div> </div>																		From	to	
			1	2	3	4	5	6	7	8	9	10	11	12	13	14	15	16	17	18			
0001	PANEL (FRONT)	65153958		●	●																		
0002	MANTLE DECORATIVE PLATE	65153960		●	●																		
0003	FLUE HOOD	65153961		●	●																		
0004	SMOKE VENT	65153962		●	●																		
0005	SMOKE VENT SUPPORT	65153963		●	●																		
0006	IGNITION NEEDLE ASSY	65153802		●	●																		
0007	COMBUSTION CHAMBER	65153817		●	●																		
0008	GAS MANIFOLD G20/G25	65153806	G20/G25	●																			
	GAS MANIFOLD G31	65153807	G31	●																			
0009	COMBUSTION CHAMBER PANEL ASSY	65153805		●	●																		
0011	BURNER	65153803		●	●																		
0012	GAS VALVE	65153820		●	●																		
0013	WATER OUTLET	65153837		●	●																		
0014	PIPE (GAS)	65153823		●	●																		
0015	WATER INLET JOINT ASSY	65153964		●	●																		
0016	WATER FLOW SENSOR ASSY	65153965		●	●																		
0017	FAN MOTOR ASSY	65153966		●	●																		
0018	ADAPTER ASSY	65153967		●	●																		
0019	SPARK GENERATOR	65153808		●	●																		
0020	MAIN CONTROLLER ASSY	65153801-01		●	●																		
0022	HEAT EXCHANGER ASSY	65153969		●	●																		
0024	O-RING	65153935		●	●																		
0025	O-RING	65153934		●	●																		
0026	O-RING	65153936		●	●																		
0027	O-RING	65153930		●	●																		
0028	O-RING	65153929		●	●																		
0029	O-RING	65153932		●	●																		
0030	SEAL COMPONENTS	65153933		●	●																		
0031	REMOTE CONTROL	65153972		●	●																		
0032	GASKET (COMB.CHAMB.-UP/BOTTOM)	65119924		●	●																		
0033	GASKET (HEAT EXCHANG.UP/BOTTOM)	65119925		●	●																		
0034	GASKET (HEAT EXCHANG.R.H./L.H.SIDE)	65119926		●	●																		
0035	PROBE (HOT WATER)	65154474		●	●																		
0036	CABLE (THERMOSTAT)	65154475		●	●																		
0037	THERMOSTAT	65153815		●	●																		
0038	WIRING (COMPLETE)	65153883		●	●																		
0039	CONNECTING LINE	65154367		●	●																		
0040	ANTI-FREEZE DEVICE ASSY	65154482		●	●																		
0041	CLIP	65154479		●	●																		
0042	CABLE (REMOTE CONTROL)	65154215		●	●																		
0044	ANTI-FREEZE THERMOSTAT ASSY	65154476		●	●																		
0050	PROBE (COLD WATER)	65154481		●	●																		
0051	O-RING	65154480		●	●																		
0052	CABLE (POWER SUPPLY)	65154477		●	●																		
0053	GASKET (SMOKE VENT)	65154469		●	●																		
0054	GASKET (SMOKE VENT SUPPORT)	65119923		●	●																		
0056	GASKET (GAS MANIFOLD-UP/BOTTOM)	65119922		●	●																		
0057	GASKET (IGNITION ELECTRODE)	65153928		●	●																		
5001	TRANSFORMATION LPG TO NG 11 LNX	65119336	NG	●																			
	TRANSFORMATION NG TO AP 11 LNX	65119333	AP	●																			
	TRANSFORMATION NG TO LPG 11 LN LNX	65119337	LPG	●																			



☉⇒	Description	Manf. Pt. N	Type																			
				1	2	3	4	5	6	7	8	9	10	11	12	13	14	15	16	17	18	From
0001	PANEL (FRONT)	65153958				●	●															
0002	MANTLE DECORATIVE PLATE	65153960				●	●															
0003	FLUE HOOD	65153973				●	●															
0004	SMOKE VENT	65153962				●	●															
0005	SMOKE VENT SUPPORT	65153963				●	●															
0006	COMBUSTION CHAMBER	65153974				●	●															
0007	PANEL (COMBUSTION CHAMBER - FRONT)	65153829				●	●															
0008	GAS MANIFOLD G20/G25	65153830	G20/G25			●	●															
	GAS MANIFOLD G31	65153831	G31				●															
0009	BURNER	65153827				●	●															
0010	IGNITION NEEDLE ASSY	65153826				●	●															
0011	GAS VALVE	65153820				●	●															
0012	WATER OUTLET	65153837				●	●															
0013	PIPE (GAS)	65153823				●	●															
0014	WATER INLET JOINT ASSY	65153964				●	●															
0015	ADAPTER ASSY	65153967				●	●															
0016	WATER FLOW SENSOR ASSY	65153965				●	●															
0017	FAN MOTOR ASSY	65153975				●	●															
0018	SPARK GENERATOR	65153808				●	●															
0019	MAIN CONTROLLER ASSY	65153801-01				●	●															
0020	HEAT EXCHANGER ASSY	65153976				●	●															
0022	O-RING	65153935				●	●															
0023	O-RING	65153934				●	●															
0024	O-RING	65153936				●	●															
0025	O-RING	65153930				●	●															
0026	O-RING	65153929				●	●															
0027	O-RING	65153932				●	●															
0028	SEAL COMPONENTS	65153933				●	●															
0029	REMOTE CONTROL	65153972				●	●															
0032	GASKET (HEAT EXCHANG.UP/BOTTOM)	65154472				●	●															
0033	GASKET (COMB.CHAMB.-UP/BOTTOM)	65154471				●	●															
0034	GASKET (HEAT EXCHANG.R.H./L.H.SIDE)	65154473				●	●															
0035	PROBE (HOT WATER)	65154474				●	●															
0036	CABLE (THERMOSTAT)	65154475				●	●															
0037	THERMOSTAT	65153815				●	●															
0038	WIRING	65154478				●	●															
0039	CONNECTING LINE	65154367				●	●															
0040	ANTI-FREEZE DEVICE ASSY	65154482				●	●															
0041	CLIP	65154479				●	●															
0042	CABLE (REMOTE CONTROL)	65154215				●	●															
0044	ANTI-FREEZE THERMOSTAT ASSY	65154476				●	●															
0050	PROBE (COLD WATER)	65154481				●	●															
0051	O-RING	65154480				●	●															
0052	CABLE (POWER SUPPLY)	65154477				●	●															
0053	GASKET (SMOKE VENT)	65154469				●	●															
0054	GASKET (SMOKE VENT SUPPORT)	65154483				●	●															
0055	GASKET (GAS MANIFOLD R.H./L.H.SIDE)	65154468				●	●															
0056	GASKET (GAS MANIFOLD-UP/BOTTOM)	65154470				●	●															
5001	TRANSFORMATION LPG TO NG 16 LNX	65119338	NG				●															
	TRANSFORMATION NG TO AP 16 LNX	65119334	AP				●															
	TRANSFORMATION NG TO LPG 16 LNX	65119339	LPG				●															

LIST OF THE ABBREVIATIONS

HW	: Hot water.
CW	: Cold water.
C	: Ceramic resistance (normal heating).
Ca	: Ceramic resistance (accelerated heating)
TP	: Immersion heater.
1F	: With fittings.
2F	: Without fittings.
3F	: With fittings and another outlet connection.
AMI	: With mixing valve.
SMI	: Without mixing valve.
PUISS	: Power of th appliance.
PN	: Appliance with normal pression.
LP	: Appliance with low pression.
PV	: Appliance with variable power.
PF	: Appliance with fixed power.

IDENTIFICATION PLATE

SERIAL NUMBER

10 Characters :	04 05 125 011	Sequential number
		Manufacturing day
		Year of manufacture
11 Characters :	1 95 065004 - 31	Technical number of the appliance
Month of manufacture :		Sequential number
from 1 to 9 → Jan. to Sep.,		Year of manufacture
O → Oct., N → Nov.,		
D → Dec.		
19 Characters :	08 05 0013199 900640031	Product reference
Year of manufacture		Sequential number
Month of manufacture		
20 Characters :	3675007 XX 2 07 070 00315	Sequential number
Product reference		Manufacturing day
Millenium of manufacture		Year of manufacture
21 Characters :	3675007 XX 07 070 0000315	Sequential number
Product reference		Manufacturing day
Year of manufacture		