

SPARE PARTS EXPLODED VIEW GAS WALL BOILERS

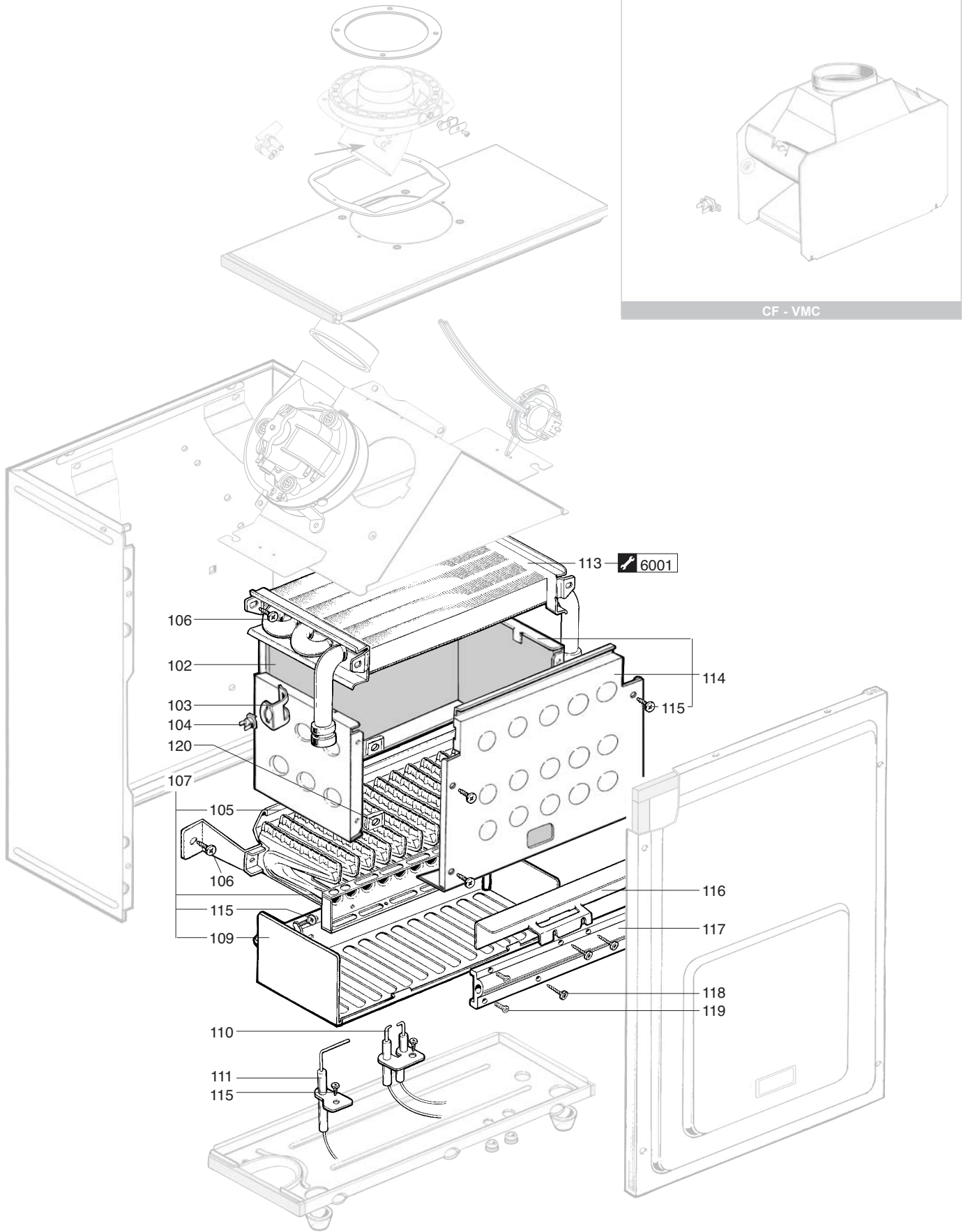
Model

CALYDRA DELTA-HYXIA II

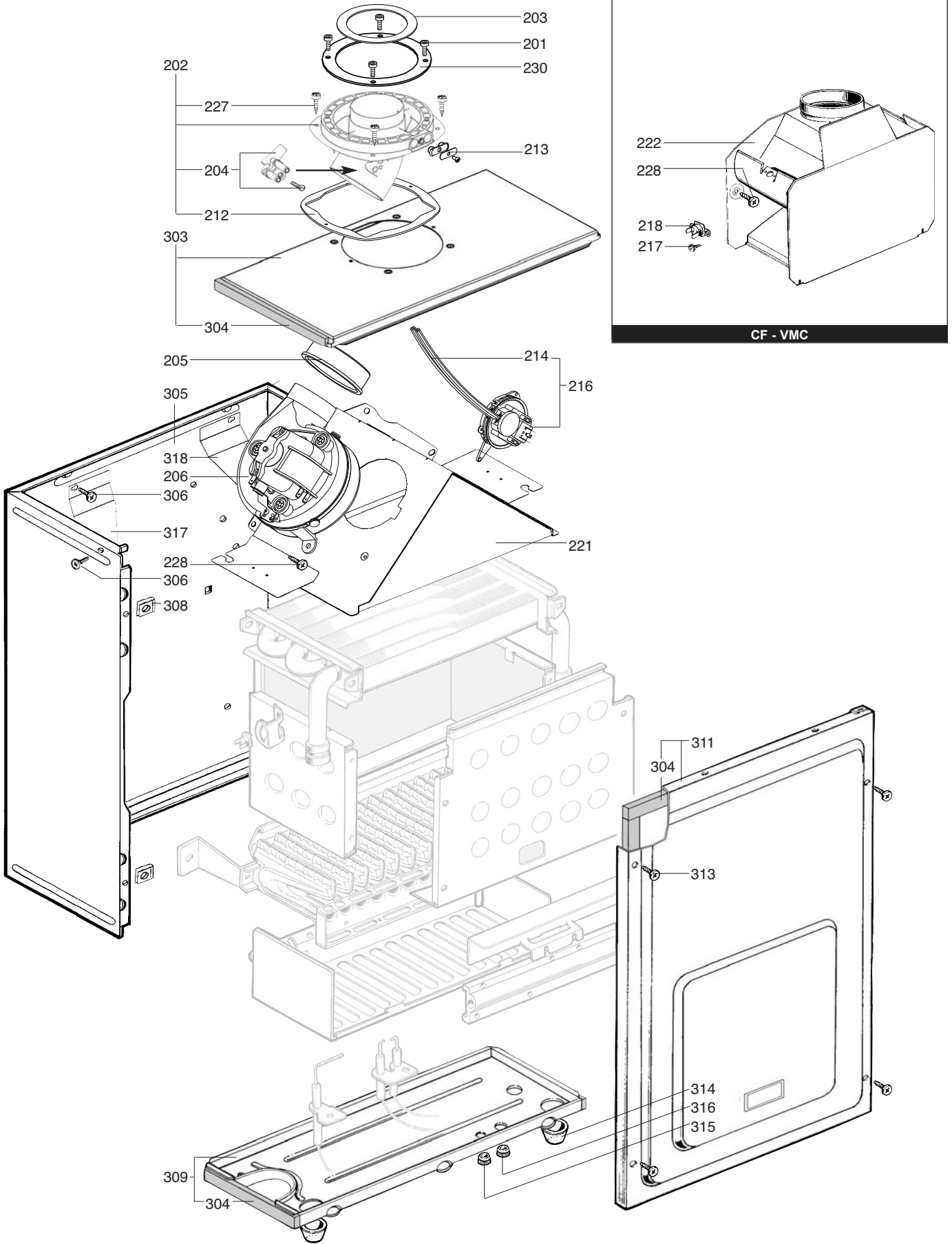
R8202576-10 - 21/03/2012

1	200 006 787 031	CALYDRA DELTA 24 CF NAT	10/01	10/06
1	200 006 787 021	CALYDRA DELTA 24 CF B/P	12/01	10/06
2	200 006 787 036	CALYDRA DELTA 24 VMC NAT	03/02	10/06
3	200 006 787 037	CALYDRA DELTA 24 FF NAT	10/01	10/06
3	200 006 787 027	CALYDRA DELTA 24 FF B/P	12/01	10/06
4	200 006 791 031	HYXIA II 24 CF NAT	03/02	07/08
5	200 006 791 036	HYXIA II 24 VMC NAT	03/02	07/08
6	200 006 791 037	HYXIA II 24 FF NAT	03/02	07/08
7	200 006 788 031	CALYDRA DELTA 28 CF NAT	12/01	10/06
7	200 006 788 021	CALYDRA DELTA 28 CF B/P	12/01	10/06
8	200 006 788 037	CALYDRA DELTA 28 FF NAT	12/01	10/06
8	200 006 788 027	CALYDRA DELTA 28 FF B/P	12/01	10/06
9	200 006 792 037	HYXIA II 28 FF NAT	03/02	07/08

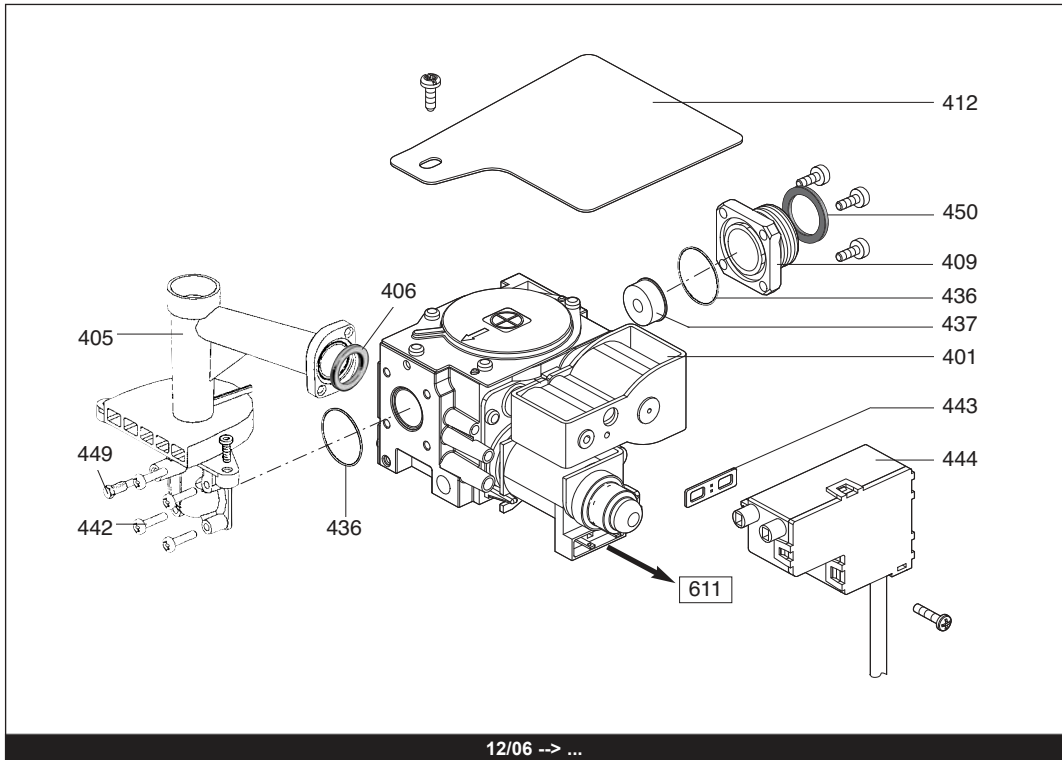
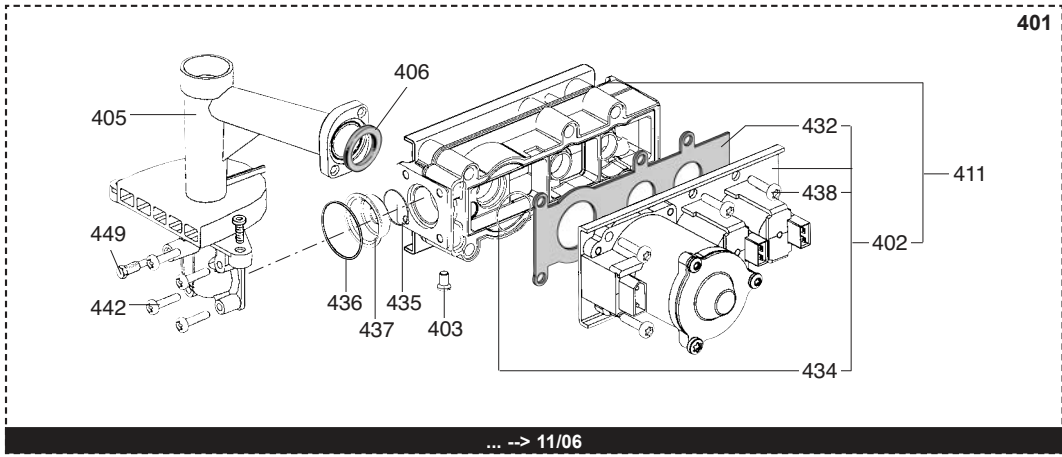
Col	Reference	Model type	Begin	End
-----	-----------	------------	-------	-----



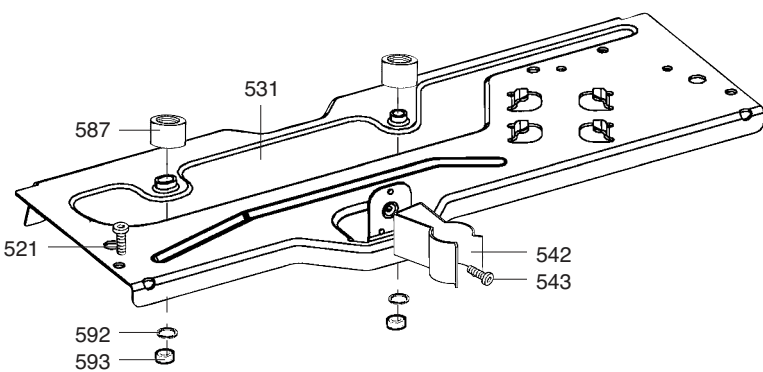
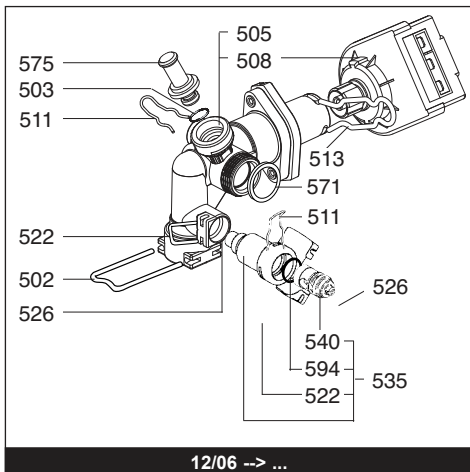
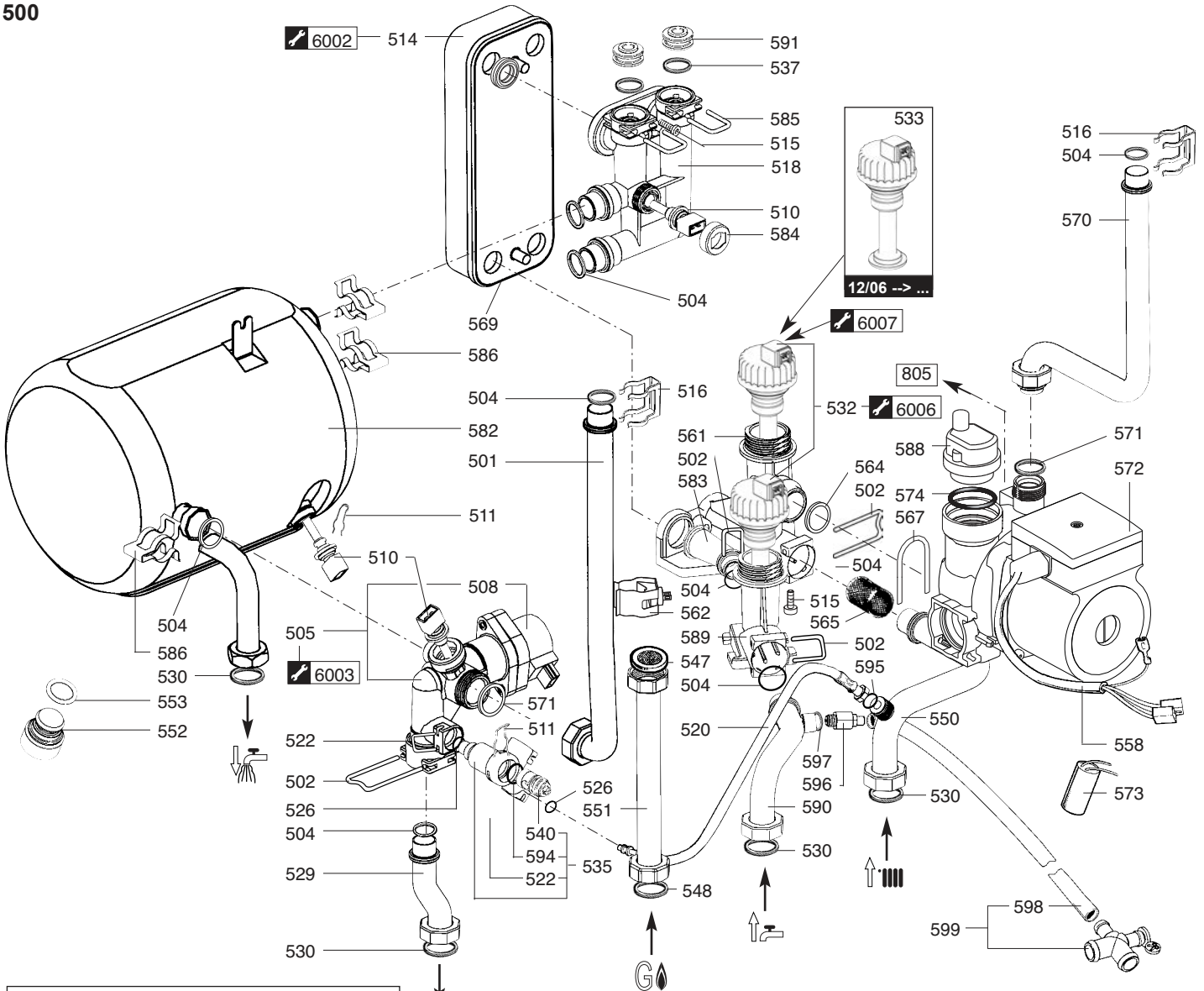
☺	Description	Manf. Pt. N	Type	<div style="display: flex; justify-content: space-between; font-size: small;"> CALYDRA DELTA 24 OF CALYDRA DELTA 24 VMC CALYDRA DELTA 24 FF HYXIA II 24 OF HYXIA II 24 VMC HYXIA II 24 FF CALYDRA DELTA 28 OF CALYDRA DELTA 28 FF </div>																		31
				1	2	3	4	5	6	7	8	9	10	11	12	13	14	15	16	17	18	
0100	BURNER ASSEMBLY																					
0102	COMBUSTION CHAMBER LINING KIT	60081722		•	•	•	•	•	•	•	•											
0103	CLIP	61010050		•	•	•	•	•	•	•	•											
0104	OVERHEAT THERMOSTAT 105C	61010191		•	•		•	•		•												
	OVERHEAT THERMOSTAT 100C	61010572				•			•		•	•										
0105	CROSS LIGHTING STRIP	61002811				•			•		•	•										
	CROSS LIGHTING STRIP	61010038		•	•		•	•		•												
0106	TAPPING SCREW CBLX D: 6.3-13	61010648		•	•	•	•	•	•	•	•	•	•	•	•	•	•	•	•			
0107	BURNER HEAD	61010415		•	•		•	•		•												
	BURNER HEAD	61010753				•			•		•	•										
0109	GRILLE	61010223				•			•		•	•										
0110	IGNITION ELECTRODE	61002801					•	•	•		•								12/06			
	IGNITION ELECTRODE	61015740		•	•	•	•	•	•	•	•	•	•	•	•	•	•	•	11/06			
0111	IONIZATION ELECTRODE	61002802		•	•	•	•	•	•	•	•	•	•	•	•	•	•	•				
0113	HEAT EXCHANGER	61010017		•	•	•	•	•	•													
	HEAT EXCHANGER	61010754								•												
	HEAT EXCHANGER	61011136									•	•										
0114	COMBUSTION CHAMBER ASSY	60081721		•	•	•	•	•	•	•	•	•	•	•	•	•	•	•				
0115	TAPPING SCREW CBLX D: 4.2-9.5	61010125		•	•	•	•	•	•	•	•	•	•	•	•	•	•	•				
0116	DEFLECTOR	61010392				•			•													
	DEFLECTOR	61011642									•	•										
0117	MANIFOLD 16 INJ.	61010175	B/P	•	•																	
	MANIFOLD 16 INJ.	61011312	B/P								•											
	MANIFOLD 16 INJ.	61010030	NAT	•	•		•	•	•	•												
	MANIFOLD 16 INJ.	61010341	NAT						•													
	MANIFOLD 16 INJ.	61011305	NAT								•	•										
0118	TAPPING SCREW CBLX D: 4.2-25	61010128		•	•	•	•	•	•	•	•	•	•	•	•	•	•	•				
0119	SCREW HX M 5-12	61010131		•	•	•	•	•	•	•	•	•	•	•	•	•	•	•				
0120	SPIRE CLIP	60057488		•	•	•	•	•	•	•	•	•	•	•	•	•	•	•				

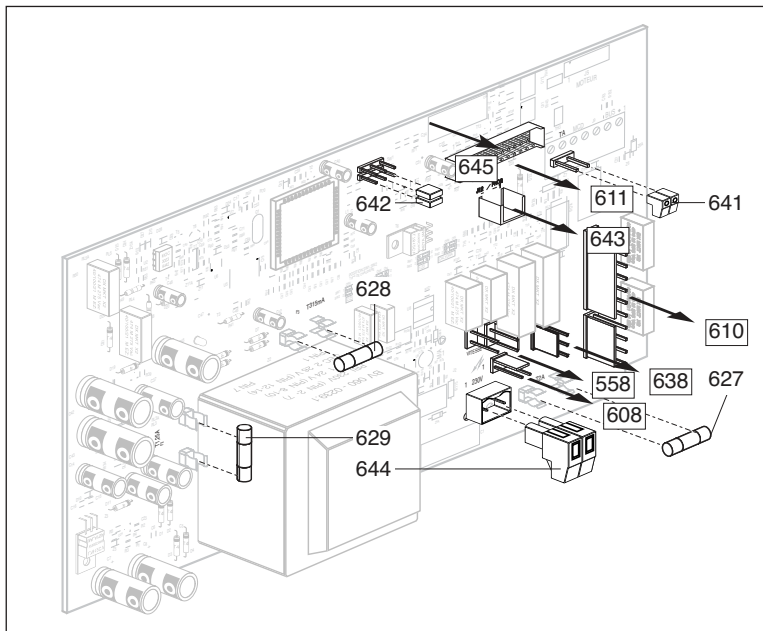
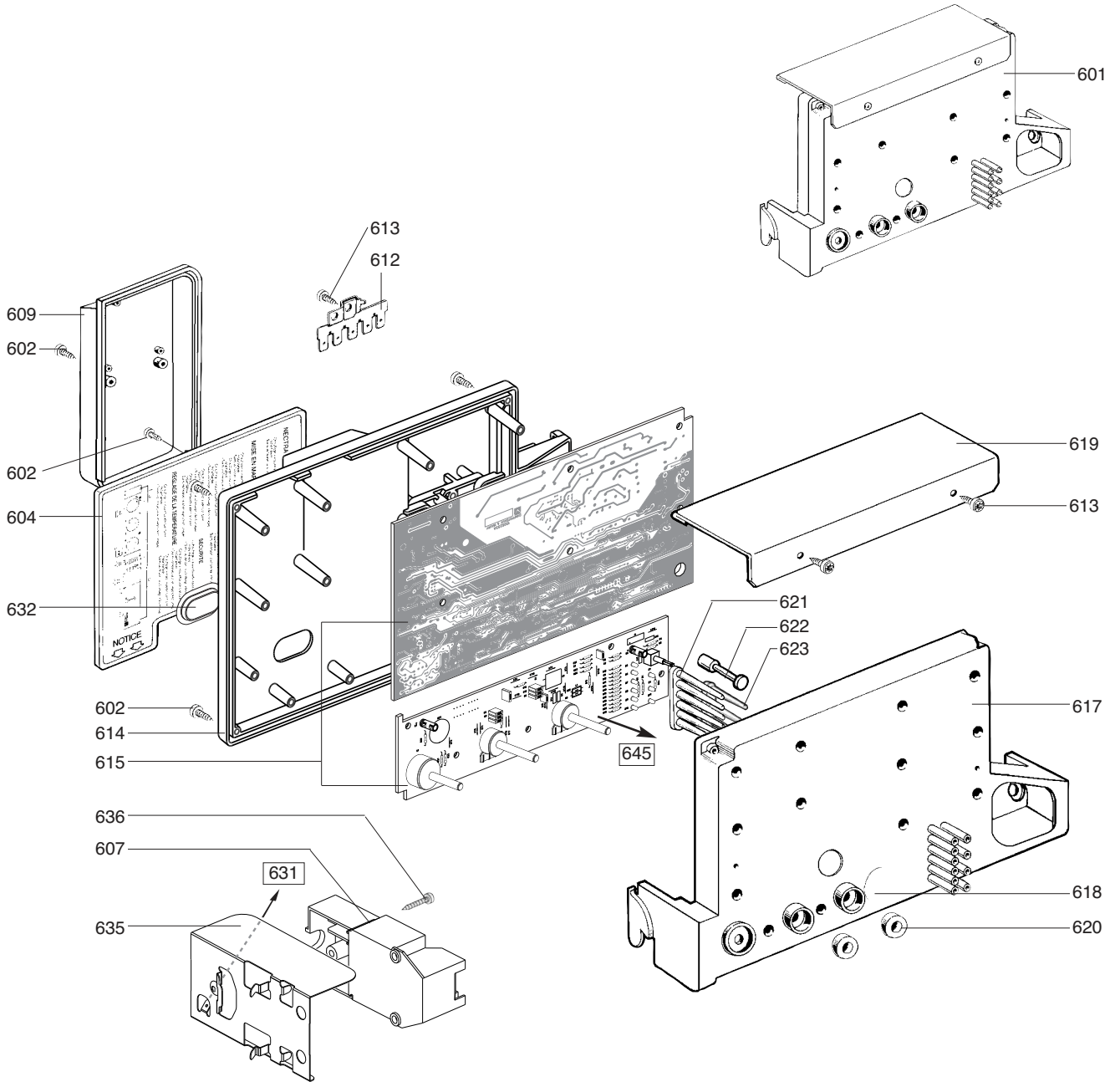


☉⇒	Description	Manf. Pt. N	Type	<div style="display: flex; justify-content: space-between; font-size: small; transform: rotate(-45deg);"> CALYDRA DELTA 24 CF CALYDRA DELTA 24 VMC CALYDRA DELTA 24 FF HYXIA II 24 CF HYXIA II 24 VMC HYXIA II 24 FF CALYDRA DELTA 28 CF CALYDRA DELTA 28 FF </div>																		31
				1	2	3	4	5	6	7	8	9	10	11	12	13	14	15	16	17	18	
0200	FAN ASSEMBLY																					
0201	SCREW CLX M 5-20	61017600				●			●		●	●										
0202	FLUE CONNECTION	60000735				●			●		●	●							11/04			
	FLUE CONNECTION	61306695				●			●		●	●							10/04			
0203	RESTRICTOR D:61 KIT	60000736				●			●		●	●							10/04			
	RESTRICTOR D:65 KIT	60000737				●			●		●	●							11/04			
0204	VENTURI	61310050				●			●		●	●										
0205	GASKET	61303825				●			●		●	●										
0206	FAN ASSY	61304720				●			●										09/03			
	FAN ASSY 1V 30FF	61304721									●	●							09/03			
	FAN ASSY	61313349				●			●		●	●							10/03			
0212	GASKET	61300262				●			●		●	●										
0213	PLUG KIT	61306698				●			●		●	●										
0214	SILICONE TUBE D: 9x3 L: 1.30M	60081265				●			●		●	●										
0216	AIR PRESSURE SWITCH 28KW	61313189									●	●							10/03			
	AIR PRESSURE SWITCH 28KW	61307335									●	●							09/03			
	AIR PRESSURE SWITCH 24KW	61306697							●										09/03			
	AIR PRESSURE SWITCH 24KW	61306697							●										09/03			
	AIR PRESSURE SWITCH 24KW	61313188				●			●										10/03			
0217	SHEET SCREW CBLX D: 3.5-6.5	61010126		●	●		●	●		●												
0218	OVERHEAT THERMOSTAT 72C	61010074									●											
	THERMOSTAT (SAFETY - 70C)	61012479		●			●															
	OVERHEAT THERMOSTAT 49C	61310767			●			●														
0221	HOOD	61304712				●			●													
	HOOD	61304713									●	●										
0222	DRAUGHT DIVERTER	61010117		●			●															
	DRAUGHT DIVERTER	61011170									●											
	DRAUGHT DIVERTER	61308490			●			●														
0227	TAPPING SCREW CBLX D:4.2-12.5	61010847				●			●		●	●										
0228	TAPPING SCREW CBLX D: 6.3-13	61010648		●	●	●	●	●	●	●	●	●										
0230	GASKET (/ Flue bend turret)	61300258				●			●		●	●										
0300	SEALED CASE																					
0303	TOP PANEL BOX	61305438				●			●		●	●										
0304	FOAM SEAL 12.5x5 L: 2.5M	60081273				●			●		●	●										
0305	CASE	61010106				●			●		●	●										
0306	TAPPING SCREW CBLZ D: 4.2-13	60079486				●			●		●	●										
0308	SPIRE CLIP	60057488		●	●	●	●	●	●	●	●	●										
0309	BASE - BOX	61010588				●			●		●	●										
0311	CASE COVER	60081851				●			●		●	●										
0313	TAPPING SCREW CBLZ D: 4.2-19	61003114				●			●		●	●										
0314	GROMMET	61010109				●			●		●	●										
0315	GROMMET	60039017				●			●		●	●										
0316	GROMMET - DOUBLE	60042707				●			●		●	●										
0317	DEFLECTOR	61012601									●	●										
0318	DEFLECTOR	61012602									●	●										

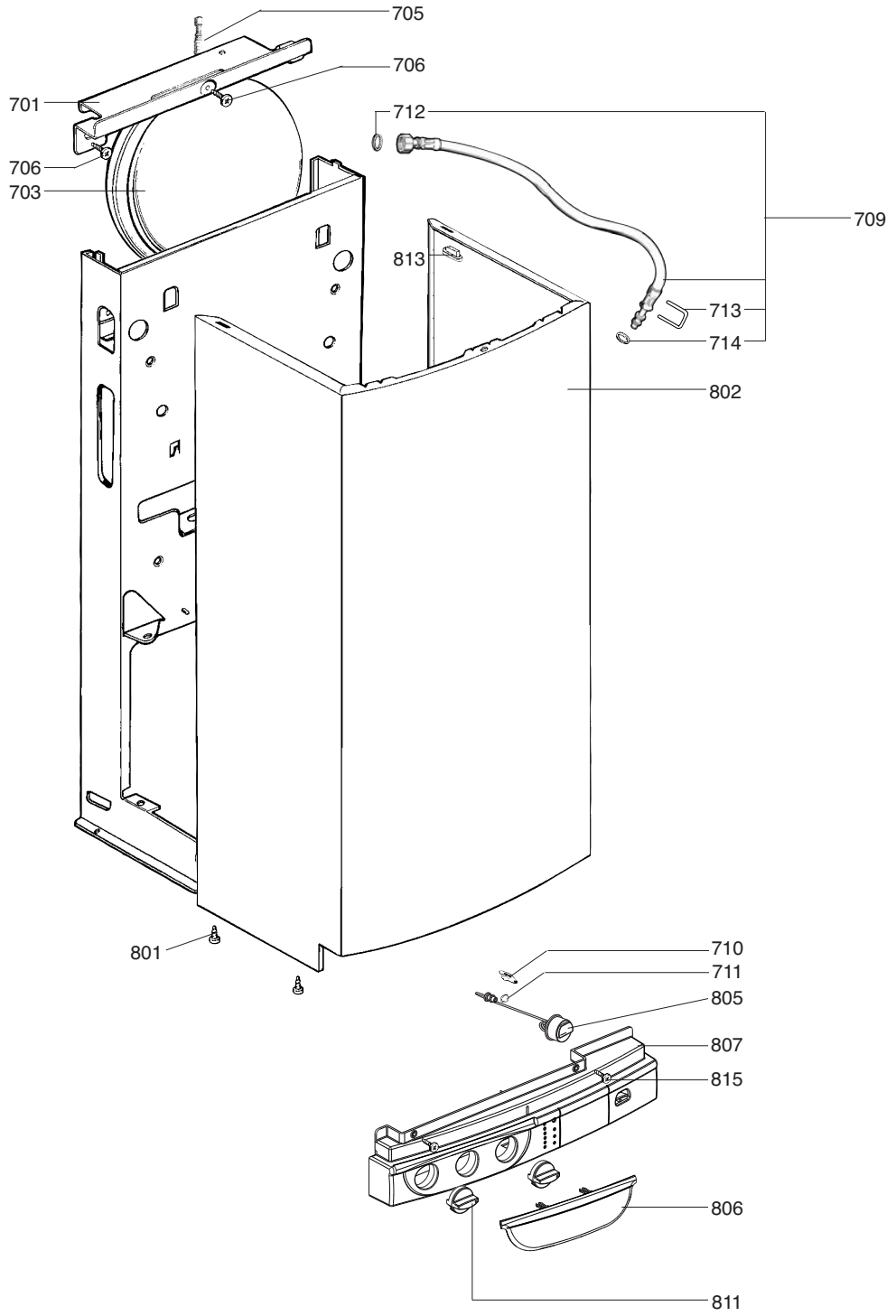


☉⇒	Description	Manf. Pt. N	Type	<div style="display: flex; justify-content: space-between; font-size: small;"> CALYDRA DELTA 24 CF CALYDRA DELTA 24 VMC CALYDRA DELTA 24 FF HYXIA II 24 CF HYXIA II 24 VMC HYXIA II 24 FF CALYDRA DELTA 28 CF CALYDRA DELTA 28 FF </div>																		31
				1	2	3	4	5	6	7	8	9	10	11	12	13	14	15	16	17	18	
0400	GAS SECTION																					
0401	GAS VALVE LPG	61304996	B/P	●																		
	GAS VALVE LPG	61014775	B/P		●																	
	GAS VALVE LPG	61015665	B/P							●	●											
	GAS VALVE	60000586	NAT				●	●	●				●						12/06			
	GAS VALVE NAT	61013015	NAT			●			●										11/06			
	GAS VALVE NAT	61015664	NAT							●	●	●							11/06			
	GAS VALVE NAT	61304994	NAT	●	●		●	●											11/06			
0402	SOLENOID VALVES KIT LPG	60081860	B/P	●		●						●										
	SOLENOID VALVES KIT NAT	60081859	NAT	●	●	●	●	●	●	●	●	●	●									
0403	PRESSURE TEST POINT SCREW	60019445		●	●	●	●	●	●	●	●	●	●	●								
0405	BURNER BASE KIT	60081835		●	●	●	●	●	●	●	●	●	●	●								
0406	GASKET (/Manifold)	61010071		●	●	●	●	●	●	●	●	●	●	●								
0409	CLAMP	60000578					●	●	●					●								
0410	FOAM SEAL 12x7 L: 5M	60081273-04				●			●			●		●								
0411	GAS SECTION LPG	61017399	B/P	●		●					●	●										
	GAS SECTION NAT	61017398	NAT	●	●	●	●	●	●	●	●	●	●									
0412	PANEL	60000579						●														
0432	GASKET (/Solenoid valve)	61013018		●	●	●	●	●	●	●	●	●	●									
0434	O-RING D: 14.1-1.6	60021061-41		●	●	●	●	●	●	●	●	●	●									
0435	O-RING D: 17.1-1.6	60021061-42		●	●	●	●	●	●	●	●	●	●									
0436	O-RING D: 22-2.6	60021061-40		●	●	●	●	●	●	●	●	●	●									
0437	RESTRICTOR D: 5.75	60000648					●	●											12/06			
	RESTRICTOR D: 4.9	60000649							●										12/06			
	RESTRICTOR D: 6.7	60000651												●					12/06			
	RESTRICTOR D: 6.7	61013016-01				●			●										11/06			
	RESTRICTOR D: 8.0	61013016-08		●	●		●	●											11/06			
0438	SCREW CLXS M 5-45	61014414		●	●	●	●	●	●	●	●	●	●									
0442	SCREW CBLXS M 4-20	61014415		●	●	●	●	●	●	●	●	●	●									
0443	GASKET (SPARK GENERATOR)	574279							●	●	●	●	●									
0444	IGNITER	61311269							●	●	●	●	●						12/06			
0449	PRESSURE TEST POINT SCREW	61016378		●	●	●	●	●	●	●	●	●	●									
0450	SHEET GASKET D: 24-18.2-1.5	60022835-01					●	●	●			●										

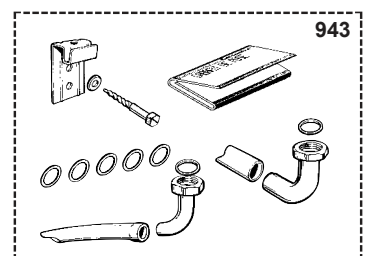
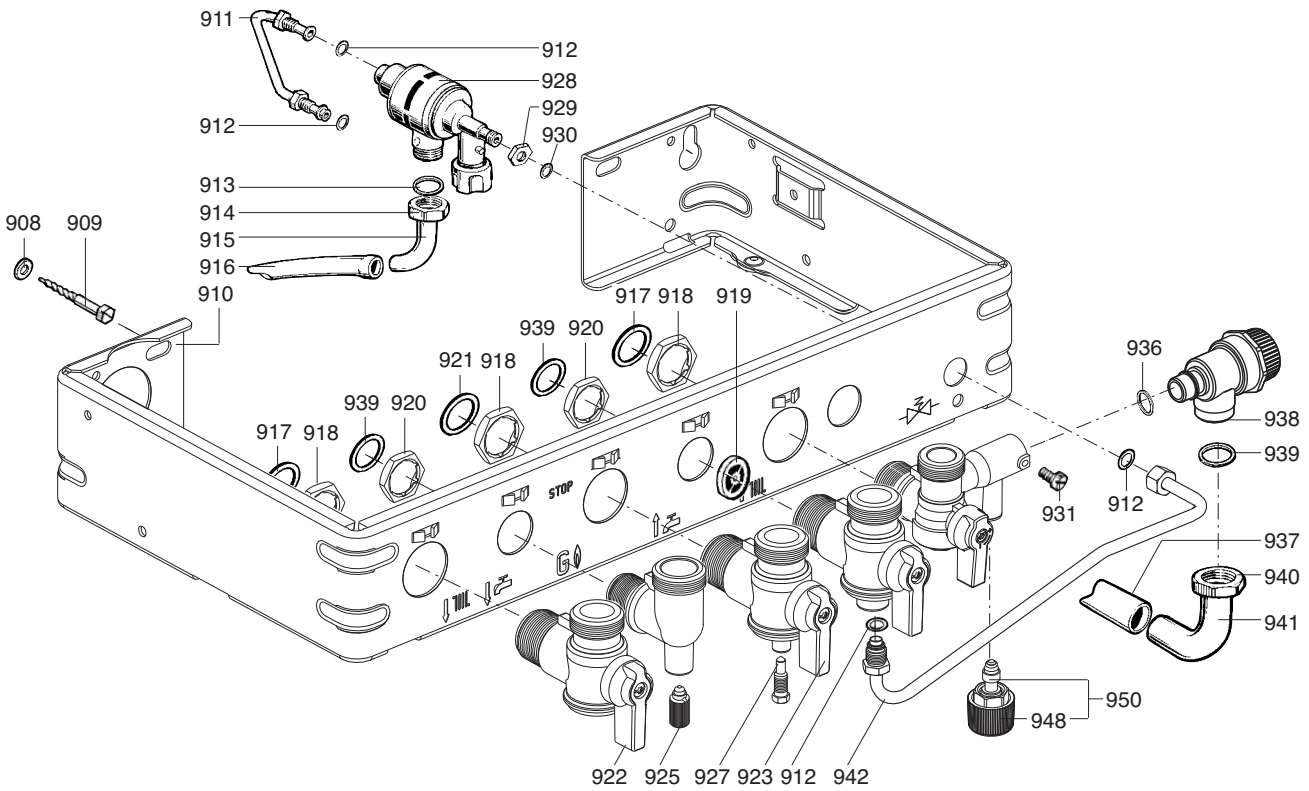
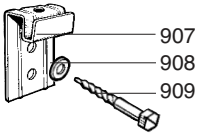
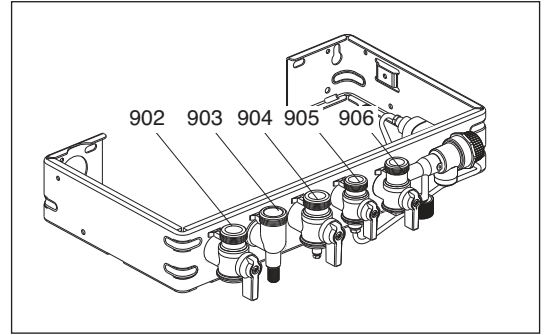




☉⇒	Description	Manf. Pt. N	Type	<div style="display: flex; justify-content: space-between; font-size: small;"> CALYDRA DELTA 24 CF CALYDRA DELTA 24 VMC CALYDRA DELTA 24 FF HYXIA II 24 CF HYXIA II 24 VMC HYXIA II 24 FF CALYDRA DELTA 28 CF CALYDRA DELTA 28 FF </div>																		31
				1	2	3	4	5	6	7	8	9	10	11	12	13	14	15	16	17	18	
0600	ELECTRICAL BOX																					
0601	ELECTRICAL BOX	61306778																			09/03	
	ELECTRICAL BOX	61306778																			11/06	
	ELECTRICAL BOX	61313443																		10/03	11/06	
0602	SCREW FX90 L:16	61020510																				
0604	INSTRUCTIONS SUPPORT	61307421																				
	INSTRUCTIONS SUPPORT	61307659																				
0607	IGNITER	61002105-20																			11/06	
0608	IGNITOR CABLE	61015739																				
0609	CONNECTOR COVER	61010014																				
0610	FAN CABLE	61010332																			09/03	
	CONNECTOR	61303358																				
	FAN CABLE	61313441																			10/03	
0611	WIRE ASSEMBLY	60000580																			12/06	
	WIRE ASSEMBLY	60000581																			12/06	
	WIRE ASSEMBLY	60000582																			12/06	
	WIRE ASSEMBLY	61304577																			11/06	
	WIRE ASSEMBLY	61304578																			09/03	
	WIRE ASSEMBLY	61306313																			11/06	
	WIRE ASSEMBLY	61313447																		10/03	03/05	
	WIRE ASSEMBLY	61313448																		10/03	11/06	
	WIRE ASSEMBLY	61313448																		04/05	11/06	
0612	CONNECTION STRIP	61010152																				
0613	TAPPING SCREW TCBL D:4 L:10	61020509																				
0614	ELECTRICAL BOX COVER	61010007																				
0615	PRINTED CIRCUIT BOARDS	60000602																			12/06	
	PRINTED CIRCUIT BOARDS	61308277																			09/03	
	PRINTED CIRCUIT BOARDS	61308277																			11/06	
	PRINTED CIRCUIT BOARDS	61400243																		10/03	11/06	
0617	ELECTRIC BOX PLATE	61010006																				
0618	PLUG	61011316																				
0619	PROTECTIVE PLATE	61010239																				
0620	CENTRING PIECE	61010241																				
0621	TRANSMITTER OF LEDS - TEMPORA.	61303699																				
0622	IGNITION PUSH ROD	61010072																				
0623	TRANSMITTER OF LEDS - ON/OFF	61303700																				
0627	FUSE 250V 2A - TEMPORIZED	61003456																				
0628	FUSE 250V 0.315A - TEMPORIZED	61307845																				
0629	FUSE 250V 1.25A - TEMPORIZED	61003635																				
0631	EARTH WIRE	61305498																				
0632	CLOSURE PLATE	61304599																				
0635	SUPPORT BRACKET	61304977																				
0636	TAPPING SCREW D: 3.5-9.5	61015329																				
0638	CABLE THREE WAY VALVE	61305096																			12/06	
	CABLE THREE WAY VALVE	61305893																			11/06	
0641	CONTACT SOCKET CONNECTOR 2 P.	61307926																				
0642	BLACK SHUNT	61400030																				
0643	CONTACT SOCKET CONNECTOR 3 P.	61003209																				
0644	FEEDER	61302102																			10/01	
	CONNECTING TERMINAL	61308032																		11/01		
0645	CABLE (P.C.B.)	60000179																				

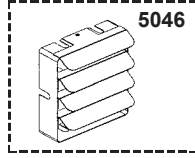
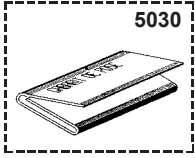
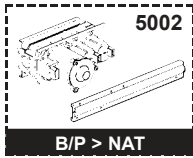
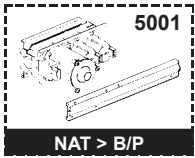


☉⇒	Description	Manf. Pt. N	Type	CALYDRA DELTA 24 CF CALYDRA DELTA 24 VMC CALYDRA DELTA 24 FF HYXIA II 24 CF HYXIA II 24 VMC HYXIA II 24 FF CALYDRA DELTA 28 CF CALYDRA DELTA 28 FF																	
				1	2	3	4	5	6	7	8	9	10	11	12	13	14	15	16	17	18
0700	CHASSIS																				
0701	TOP STAY PLATE	61010029		•	•	•	•	•	•	•	•										
0703	EXPANSION VESSEL	60056676-06		•	•	•	•	•	•	•	•										
0705	EXPANSION VESSEL AIR HOSE	61010170		•	•	•	•	•	•	•	•										
0706	TAPPING SCREW CBLX D: 6.3-19	61014516		•	•	•	•	•	•	•	•										
0709	FLEXIBLE PIPE KIT	60081824		•	•	•	•	•	•	•	•										
0710	CLIP	61002406		•	•	•	•	•	•	•	•										
0711	O RING D: 5.7-1.9	61009834-10		•	•	•	•	•	•	•	•										
0712	SHEET GASKET D: 12-6-2	61308868		•	•	•	•	•	•	•	•										
0713	CLIP	61010005		•	•	•	•	•	•	•	•										
0714	O-RING D: 8.9-2.7	61009834-14		•	•	•	•	•	•	•	•										
0800	FRONT CASE																				
0801	TAPPING SCREW CBLX D: 4.2-9.5	61010125		•	•	•	•	•	•	•	•										
0802	CASE	61010016		•	•	•	•	•	•	•	•										
0805	PRESSURE GAUGE	61303158		•	•	•	•	•	•	•	•										
0806	DOOR	61304530		•	•	•				•	•										
0807	SERIGRA. STRIP (WITHOUT PROG.)	61304314		•	•	•				•	•										
	SERIGRA. STRIP (WITHOUT PROG.)	61305084					•	•	•		•										
0811	WHITE KNOB	61304848		•	•	•	•	•	•	•	•										
0813	SPACER	61015797		•	•	•	•	•	•	•	•										
0815	SCREW FX90 D: 3.5-16	61010133		•	•	•	•	•	•	•	•										

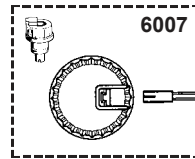
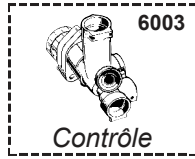
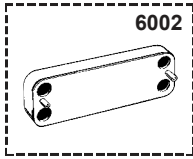
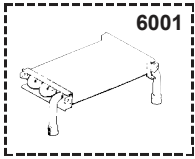


☉	Description	Manf. Pt. N	Type	<div style="display: flex; justify-content: space-between; font-size: small; text-align: center;"> CALYDRA DELTA 24 CF CALYDRA DELTA 24 VMC CALYDRA DELTA 24 FF HYXIA II 24 CF HYXIA II 24 VMC HYXIA II 24 FF CALYDRA DELTA 28 CF CALYDRA DELTA 28 FF </div>																		31
				1	2	3	4	5	6	7	8	9	10	11	12	13	14	15	16	17	18	
0900	JIG PLATE & PIPE FITTING																					
0902	WATER FLOW SERVICE TAP	61020388		•	•	•	•	•	•	•												
0903	HOT WATER CONNECTION	61020916		•	•	•	•	•	•	•												
0904	GAS SERVICE TAP	61020389		•	•	•	•	•	•	•												
0905	COLD WATER TAP	61302612		•	•	•	•	•	•	•												
0906	WATER RETURN SERVICE TAP	61302614		•	•	•	•	•	•	•												
0907	WALL HOOK	61002497		•	•	•	•	•	•	•												
0908	WASHER D: 14.2-7.2-1.2	60005369-03		•	•	•	•	•	•	•												
0909	WOOD SCREW	60025617-03		•	•	•	•	•	•	•												
0911	DISCONNECTOR TUBE	61010065		•	•	•	•	•	•	•												
0912	O-RING D: 6-1	60024164-41		•	•	•	•	•	•	•												
0913	SHEET GASKET D: 14.8-10.3-1.5	60061854-11		•	•	•	•	•	•	•												
0914	NUT 3/8» THICK: 11	60020746-20		•	•	•	•	•	•	•												
0915	CONNECTING PIPE	60001574		•	•	•	•	•	•	•												
0916	TUBE PVC D: 9x12 L: 1M	60081266		•	•	•	•	•	•	•												
0917	SHEET GASKET D: 24-17-1.5	60061855-19		•	•	•	•	•	•	•												
0918	LOCK NUT	60031140		•	•	•	•	•	•	•												
0919	FLOW REGULATORE 7L/MIN(DARK GREEN)	61002775-07		•	•	•	•	•	•	•												
	FLOW REGULATORE 8L/MIN (WHITE)	61002775-08		•	•	•	•	•	•	•												
	FLOW REGULATORE 10L/MIN (BLUE)	61002775-10		•	•	•	•	•	•	•												
	FLOW REGULATORE 12L/MIN (RED)	61002775-12		•	•	•	•	•	•	•												
	FLOW REGULATORE 14L/MIN (PINK)	61002775-14		•	•	•	•	•	•	•												
	FLOW REGULATORE 15L/MIN (PALE GREEN)	61002775-15		•	•	•	•	•	•	•												
0920	CONTRODADO H 1/2	60031139		•	•	•	•	•	•	•												
0921	SHEET GASKET D: 24-18.2-1.5	60022835-01		•	•	•	•	•	•	•												
0922	HAND LEVER BLACK	61302611		•	•	•	•	•	•	•												
0923	HAND LEVER YELLOW	61302610		•	•	•	•	•	•	•												
0925	DRAIN SCREW ASSY	60081028		•	•	•	•	•	•	•												
0927	PRESSURE TEST POINT SCREW	61016378		•	•	•	•	•	•	•												
0928	DISCONNECTOR KIT	60081664		•	•	•	•	•	•	•												
0929	NUT H M 10-1	60031825-08		•	•	•	•	•	•	•												
0930	SHEET GASKET D: 8.5-4.1-1.5	60061852-12		•	•	•	•	•	•	•												
0931	GRUB SCREW	61304327		•	•	•	•	•	•	•												
0936	O-RING D: 13.6-2.7	61009834-18		•	•	•	•	•	•	•												
0937	TUBE PVC D: 13x17 L: 1M	60081266-02		•	•	•	•	•	•	•												
0938	PRESSURE RELIEF VALVE	61020933		•	•	•	•	•	•	•												
0939	WASHER D: 18.4-12.2-1.5	60061855-14		•	•	•	•	•	•	•												
0940	NUT 1/2» THICK: 10	60020747-68		•	•	•	•	•	•	•												
0941	VALVE CONNECTING PIPE	60047727		•	•	•	•	•	•	•												
0942	FILLER NECK	61020885		•	•	•	•	•	•	•												
0943	ACCESSORY KIT	61010324		•	•	•	•	•	•	•												
0948	GREY KNOB	61302613		•	•	•	•	•	•	•												
0950	TAP HEAD	61314798		•	•	•	•	•	•	•									01/04			

5000



6000



☉⇒	Description	Manf. Pt. N	Type	<div style="display: flex; justify-content: space-between; font-size: small;"> CALYDRA DELTA 24 CF CALYDRA DELTA 24 VMC CALYDRA DELTA 24 FF HYXIA II 24 CF HYXIA II 24 VMC HYXIA II 24 FF CALYDRA DELTA 28 CF CALYDRA DELTA 28 FF </div>																		31
				1	2	3	4	5	6	7	8	9	10	11	12	13	14	15	16	17	18	
5000	ACCESSORIES																					
5001	CONVERSION KIT NAT > LPG	60000612																				
	CONVERSION KIT NAT > LPG	60000617					•	•	•													
	CONVERSION KIT NAT > LPG	61018431		•	•	•	•	•	•													
	CONVERSION KIT NAT > LPG	61018432								•												
	CONVERSION KIT NAT > LPG	61018433									•	•										
5002	CONVERSION KIT LPG > NAT	60000609							•													
	CONVERSION KIT LPG > NAT	60000611					•	•														
	CONVERSION KIT LPG > NAT	60000613																				
	CONVERSION KIT BUT/PROP > NAT	61018427		•	•		•	•		•												
	CONVERSION KIT BUT/PROP > NAT	61018428				•				•												
	CONVERSION KIT LPG > NAT	61018429																				
5030	JIG PLATE	61010073		•	•	•	•	•	•	•	•	•	•	•	•	•	•	•	•			
5043	KIT HYXIA II 18 VMC NAT	61308503	NAT						•													
	KIT HYXIA II 18 CF NAT	61308504	NAT						•													
	KIT CALYDRA DELTA 18 CF B/P	61307528	B/P	•																		
	KIT CALYDRA DELTA 18 VMC B/P	61307540	B/P		•																	
	KIT HYXIA II 18 NAT	60001074	NAT						•	•												
	KIT CALYDRA DELTA 18 CF NAT	61307526	NAT	•																		
	KIT CALYDRA DELTA 18 VMC NAT	61307539	NAT		•																	
5046	DEFLECTOR 30DEG KIT	61014810				•			•			•										
6000	MAINTENANCE																					
6001	DESCALING INTERFACE/HEAT EXCHA	61014100		•	•	•	•	•	•	•	•	•	•	•	•	•	•	•	•			
6002	DESCALING INTERFACE/WATER EXCH	61011075		•	•	•	•	•	•	•	•	•	•	•	•	•	•	•	•			
6003	SIMULATING BOX 3 WAY VALVE	61012597		•	•	•	•	•	•	•	•	•	•	•	•	•	•	•	•			
6006	SPANNER	61302650		•	•	•	•	•	•	•	•	•	•	•	•	•	•	•	•			
6007	STOPPED W/THROT. CONNECTOR KIT	61306970		•	•	•	•	•	•	•	•	•	•	•	•	•	•	•	•			

LIST OF THE ABBREVIATIONS

HW	: Hot water.
CW	: Cold water.
C	: Ceramic resistance (normal heating).
Ca	: Ceramic resistance (accelerated heating)
TP	: Immersion heater.
1F	: With fittings.
2F	: Without fittings.
3F	: With fittings and another outlet connection.
AMI	: With mixing valve.
SMI	: Without mixing valve.
PUISS	: Power of th appliance.
PN	: Appliance with normal pression.
LP	: Appliance with low pression.
PV	: Appliance with variable power.
PF	: Appliance with fixed power.

IDENTIFICATION PLATE

SERIAL NUMBER

10 Characters :	04 05 125 011		
		Sequential number	
		Manufacturing day	
		Year of manufacture	
11 Characters :	1 95 065004 - 31		
Month of manufacture :		Technical number of the appliance	
from 1 to 9 → Jan. to Sep.,		Sequential number	
O → Oct., N → Nov.,		Year of manufacture	
D → Dec.			
19 Characters :	08 05 0013199 900640031		
Year of manufacture		Product reference	
Month of manufacture		Sequential number	
20 Characters :	3675007 XX 2 07 070 00315		
Product reference		Sequential number	
Millenium of manufacture		Manufacturing day	
		Year of manufacture	
21 Characters :	3675007 XX 07 070 0000315		
Product reference		Sequential number	
Year of manufacture		Manufacturing day	

The indications mentioned on the prices, commercial or technical literature and the scheme are written for your guidance and are available at a given time. The CONSTRUCTOR retains the power to modify the presentation, the form, the size, the conception or the material of the products.