

SPARE PARTS EXPLODED VIEW GAS-WALL BOILER ATM. BURNER

Model

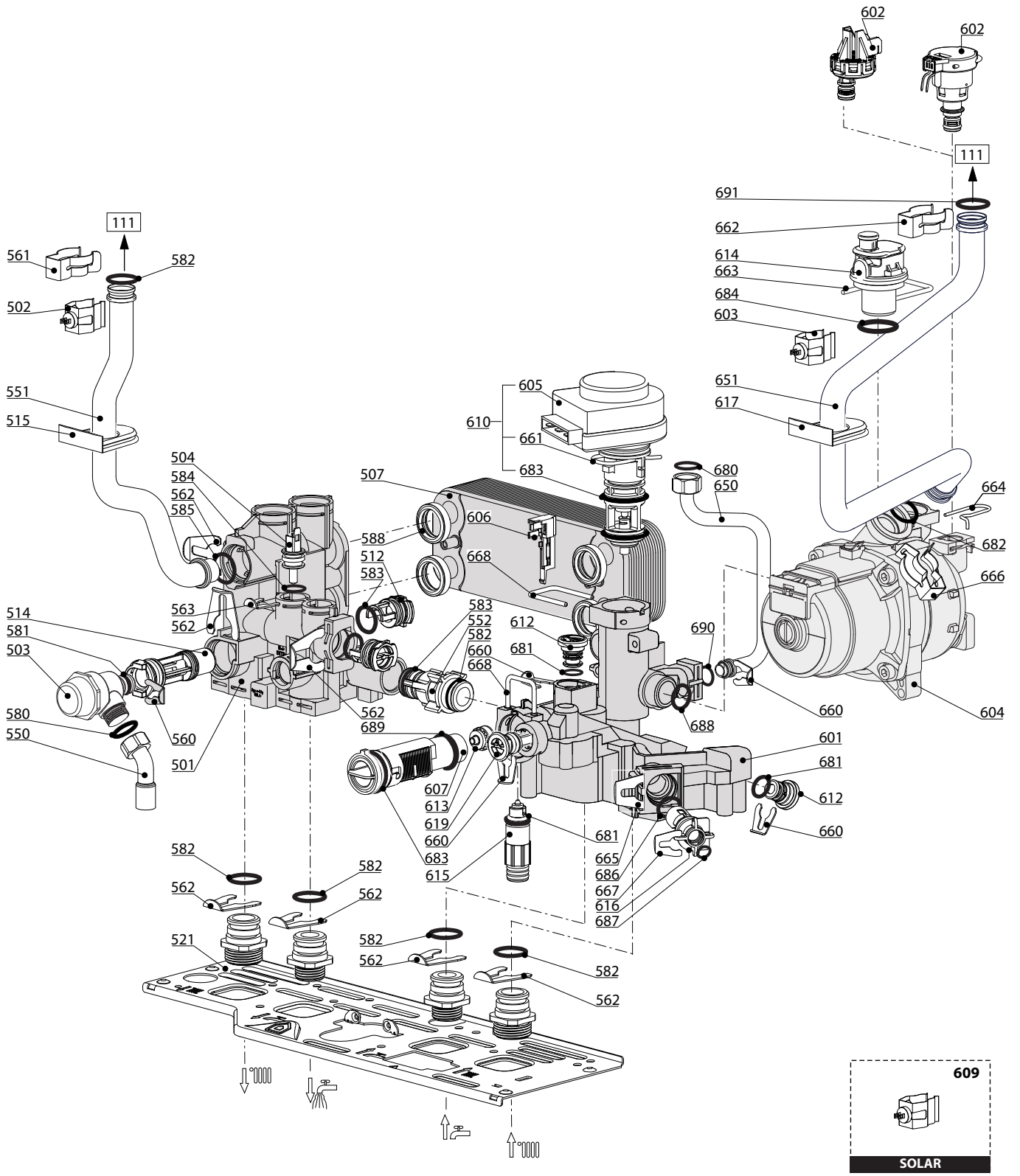
MIRA C

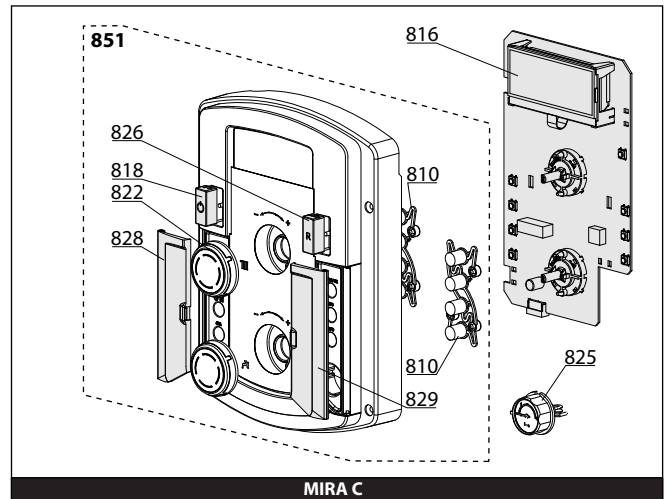
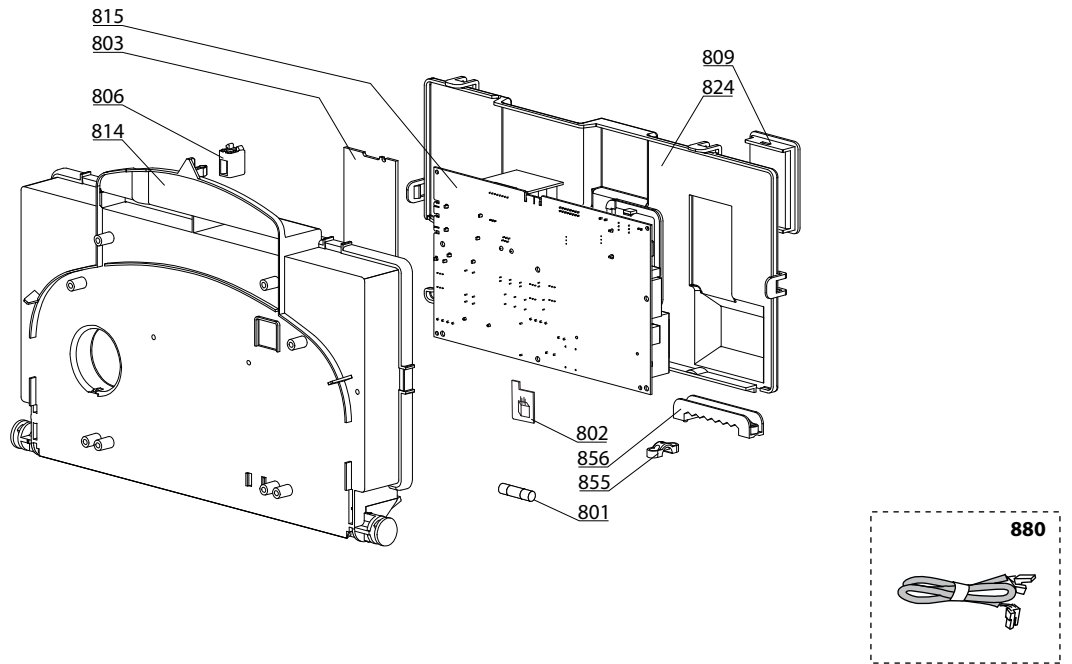
R8203185-05 - 12/02/2016

1	3650290	MIRA C 25 CF N FR	03-2008	12-2009
1	3650291	MIRA C 25 CF B/P FR	03-2008	12-2008
1	3310090	MIRA C 25 CF N FR	02-2010	12-2011
1	3310155	MIRA C 25 CF FR + K.E.	10-2010	10-2012
2	3650292	MIRA C 24 VMC N FR	03-2008	12-2009
2	3310088	MIRA C 24 VMC N FR	05-2010	12-2011
2	3310156	MIRA C 24 VMC FR + K.E.	10-2010	10-2012
3	3650293	MIRA C 25 FF N FR	03-2008	12-2009
3	3650294	MIRA C 25 FF B/P FR	05-2008	12-2008
3	3310085	MIRA C 25 FF N FR	02-2010	12-2011
3	3310157	MIRA C 25 FF FR + K.E.	10-2010	10-2012
4	3650295	MIRA C 30 FF N FR	03-2008	12-2009
4	3310105	MIRA C 30 FF N FR	03-2010	05-2011
4	3310158	MIRA C 30 FF FR + K.E.	10-2010	10-2012

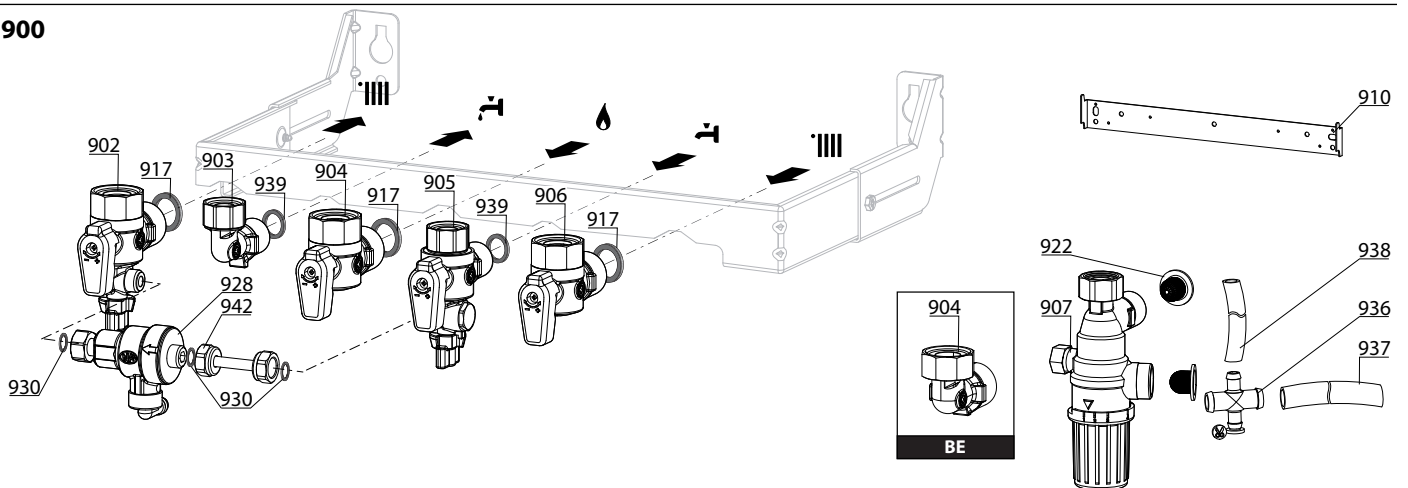
Col	Reference	Model type	Begin	End
-----	-----------	------------	-------	-----

☉⇒	Description	Manf. Pt. N	Type	<div style="display: flex; justify-content: space-between; align-items: center;"> <div style="transform: rotate(-45deg); font-size: small;"> MIRA C-23 CF MIRA C-24 VMC MIRA C-25 FF MIRA C-30 FF </div> <div style="border: 1px solid black; padding: 2px;">31</div> </div>																		From	to
				1	2	3	4	5	6	7	8	9	10	11	12	13	14	15	16	17	18		
0100	BURNER ASSEMBLY																						
0101	ELECTRODE (IGNITION/IONIZATION)	65104549		•	•	•	•																
0103	THERMOSTAT 102°	65104500		•	•	•	•																
0110	PANELS (KIT)	65104695		•	•		•																
	PANELS (KIT)	65106298					•																
0111	HEAT EXCHANGER	65104246						•													12/09		
	HEAT EXCHANGER	65104247		•	•																		
	HEAT EXCHANGER	65106297					•																
	HEAT EXCHANGER	65111932						•												01/10			
0112	BURNER 11NP	65106294					•																
	BURNER 13NP	60001582		•	•																		
	BURNER 13NP	65104220						•															
0113	GAS MANIFOLD 11 INJ. D:1.32	65106302	NAT				•																
	GAS MANIFOLD 13 INJ. D:0.76	65104223	B/P	•																			
	GAS MANIFOLD 13 INJ. D:1.25	65104302	NAT	•	•																		
	GAS MANIFOLD 13 INJ. D:1.32	65104226	NAT					•															
0160	CLIP	61010050		•	•	•	•																
0200	GAS SECTION																						
0201	GAS VALVE	65104254		•	•	•	•																
0204	SPARK GENERATOR	65104653		•	•	•	•																
0210	GAS RESTRICTOR D: 6.3	60000018	NAT	•	•																		
	RESTRICTOR D: 5.7	60000498	NAT				•																
	RESTRICTOR D: 7	65105152	NAT					•															
0214	PIPE (GAS VALVE/BURNER)	65104230		•	•	•	•																
0216	GROMMET	60000624		•	•	•	•																
0217	UNION (3/4»)	65104326		•	•	•	•																
0218	UNION (1/2»)	65104327		•	•	•	•																
0250	GAS TUBE	60000720		•	•	•	•																
0251	EPDM PIPE	65104296					•																
0270	GASKET (SPARK GENERATOR)	574279		•	•	•	•																
0280	O-RING 14X2	60000903	NAT	•	•	•	•																
0281	O-RING 22.22X2.62	65104304		•	•	•	•																
0283	O-RING 17.17X1.78	65104303		•	•	•	•																
0300	FAN ASSEMBLY																						
0301	OVERHEAT THERMOSTAT 49C	61310767					•																
	THERMOSTAT 75-65°C	999539		•																			
0302	AIR PRESSURE SWITCH 50 Pa	65104671-01						•															
	AIR PRESSURE SWITCH 74 Pa	65104672-01							•														
0303	FAN	65104231							•														
	FAN	65104255						•															
0304	HALL SENSOR 15/24/25 FF	65108301						•															
	HALL SENSOR 28/30/35 FF	65108255							•														
0310	FLUE (EXHAUST MANIFOLD/HEADER)	65105393						•	•														
0311	AIR INTAKE COVER	573329						•	•														
0312	FLUE INTAKE PLUG	65104295						•	•														
0313	COMBUSTION CHAMBER 24CF	65104218		•	•																		
0314	COMBUSTION CHAMBER 24/28 FF	65104219								•													
	COMBUSTION CHAMBER 24/28 FF	65106295								•													
0315	CONDENSATE TRAP	65104623						•	•														
0316	PANEL (INSULATION - FAN)	65104305						•	•														
0317	SUPPORT (AIR PRESSURE SWITCH)	65104378						•	•														
0318	VENTURI 15/24FF	65106516						•															
	VENTURI 28/30FF	65106515							•														
0319	RESTRICTOR KIT	60001598						•	•														
0371	COLLAR GASKET	65104258						•	•														
0372	FAN GASKET	65104257						•	•														
0373	GASKET	60000317						•	•	•													
0374	CABLE INLET RUBBER WASHER	60000716		•	•	•	•																
0400	SEALED CASE																						
0401	EXPANSION VESSEL 8L	65104261		•	•	•	•																
0410	PANEL (COMBUSTION CHAMBER)	65104240		•	•		•																
	PANEL (COMBUSTION CHAMBER)	65106296						•															
0411	SIGHT GLASS	65104232						•	•														
0412	SPRING FRONT PANEL (KIT)	65104298						•	•														
0413	AIR RETURN COVER	65104249						•	•														
0414	PANEL (FRONT - SEALED CHAMBER)	65105678-02						•	•	•													
0415	CASE PANEL (L.H. SIDE)	65105676		•	•	•	•																
0416	CASE PANEL (R.H. SIDE)	65105677		•	•	•	•																
0417	CASE PANEL (FRONT)	60000983		•	•	•	•																





900



5000

5001	5002	5020
Transf. gaz > B/P	Transf. gaz > Nat	Options
Conv. gas > LPG	Conv. gas > Nat	Accessories
Trasf. gas > GPL	Trasf. gas > Met	Opzioni
Transf. gas > B/P	Transf. gas > Met	Accessorio
Umrustsatz > B/P	Umrustsatz > Nat	Option

LIST OF THE ABBREVIATIONS

HW	: Hot water.
CW	: Cold water.
C	: Ceramic resistance (normal heating).
Ca	: Ceramic resistance (accelerated heating)
TP	: Immersion heater.
1F	: With fittings.
2F	: Without fittings.
3F	: With fittings and another outlet connection.
AMI	: With mixing valve.
SMI	: Without mixing valve.
PUISS	: Power of th appliance.
PN	: Appliance with normal pression.
LP	: Appliance with low pression.
PV	: Appliance with variable power.
PF	: Appliance with fixed power.

IDENTIFICATION PLATE

SERIAL NUMBER

10 Characters :	04 05 125 011		
		Sequential number	
		Manufacturing day	
		Year of manufacture	
11 Characters :	1 95 065004 - 31		
Month of manufacture :		Technical number of the appliance	
from 1 to 9 → Jan. to Sep.,		Sequential number	
O → Oct., N → Nov.,		Year of manufacture	
D → Dec.			
19 Characters :	08 05 0013199 900640031		
Year of manufacture		Product reference	
Month of manufacture		Sequential number	
20 Characters :	3675007 XX 2 07 070 00315		
Product reference		Sequential number	
Millenium of manufacture		Manufacturing day	
		Year of manufacture	
21 Characters :	3675007 XX 07 070 0000315		
Product reference		Sequential number	
Year of manufacture		Manufacturing day	