

# SPARE PARTS EXPLODED VIEW GAS-WALL CONDENSING BOILERS

Model

## **MIRA C GREEN**

R8203186-07 - 18/06/2020

EN	FR	<b>IT</b>	ES	DE	NL
----	----	-----------	----	----	----

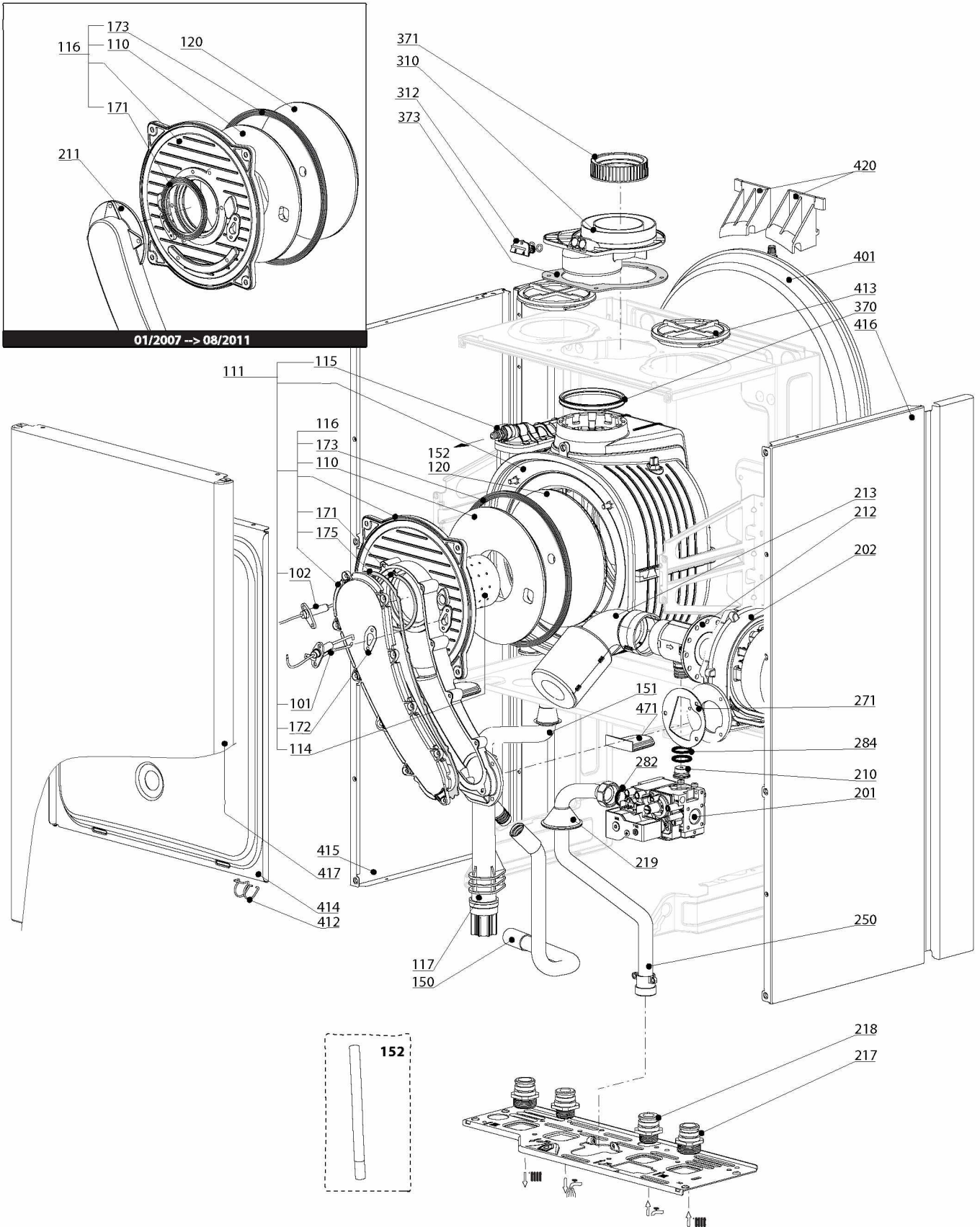
<b>1</b>	3650289	MIRA C GREEN 25 FF N FR	03-2008	12-2009
<b>1</b>	3650339	MIRA C GREEN 25FF P	10-2008	12-2009
<b>1</b>	3310083	MIRA C GREEN 25 FF N FR	02-2010	12-2011
<b>1</b>	3310121	MIRA C GREEN 25FF P	04-2010	11-2010
<b>1</b>	3310151	MIRA C GREEN 25 FF FR + K.E.	02-2010	12-2011
<b>2</b>	3650288	MIRA C GREEN 30 FF N FR	03-2008	12-2009
<b>2</b>	3310104	MIRA C GREEN 30 FF N FR	02-2010	12-2011
<b>2</b>	3310153	MIRA C GREEN 30 FF FR + K.E.	02-2010	12-2011
<b>3</b>	3650287	MIRA C GREEN 35 FF N FR	03-2008	12-2009
<b>3</b>	3310112	MIRA C GREEN 35 FF N FR	12-2009	12-2011
<b>3</b>	3310154	MIRA C GREEN 35 FF FR + K.E.	02-2010	12-2011

Col	Reference	Model type	Begin	End
-----	-----------	------------	-------	-----

100  
200  
300  
400

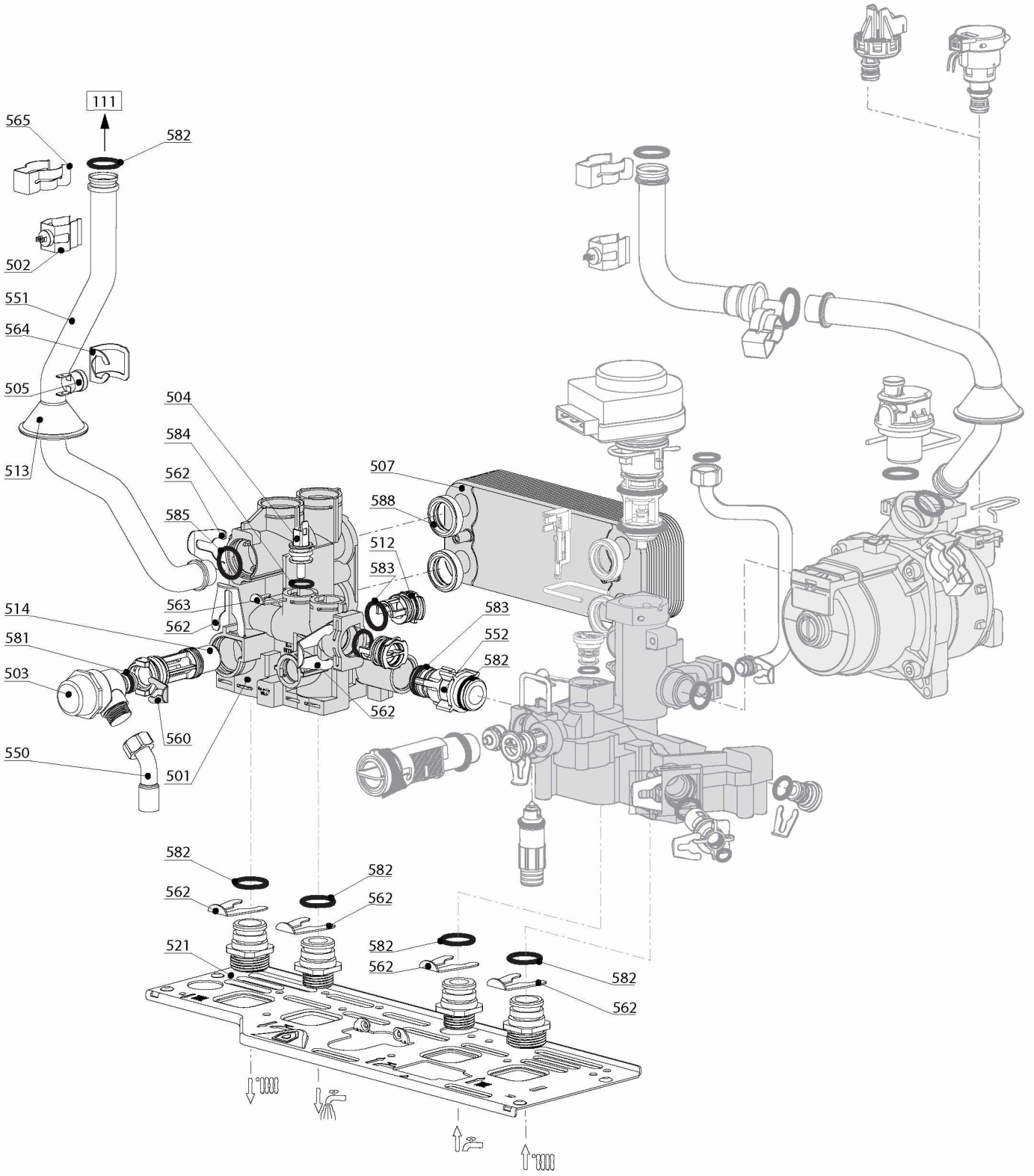
MIRA C GREEN

Gas-wall condensing boilers





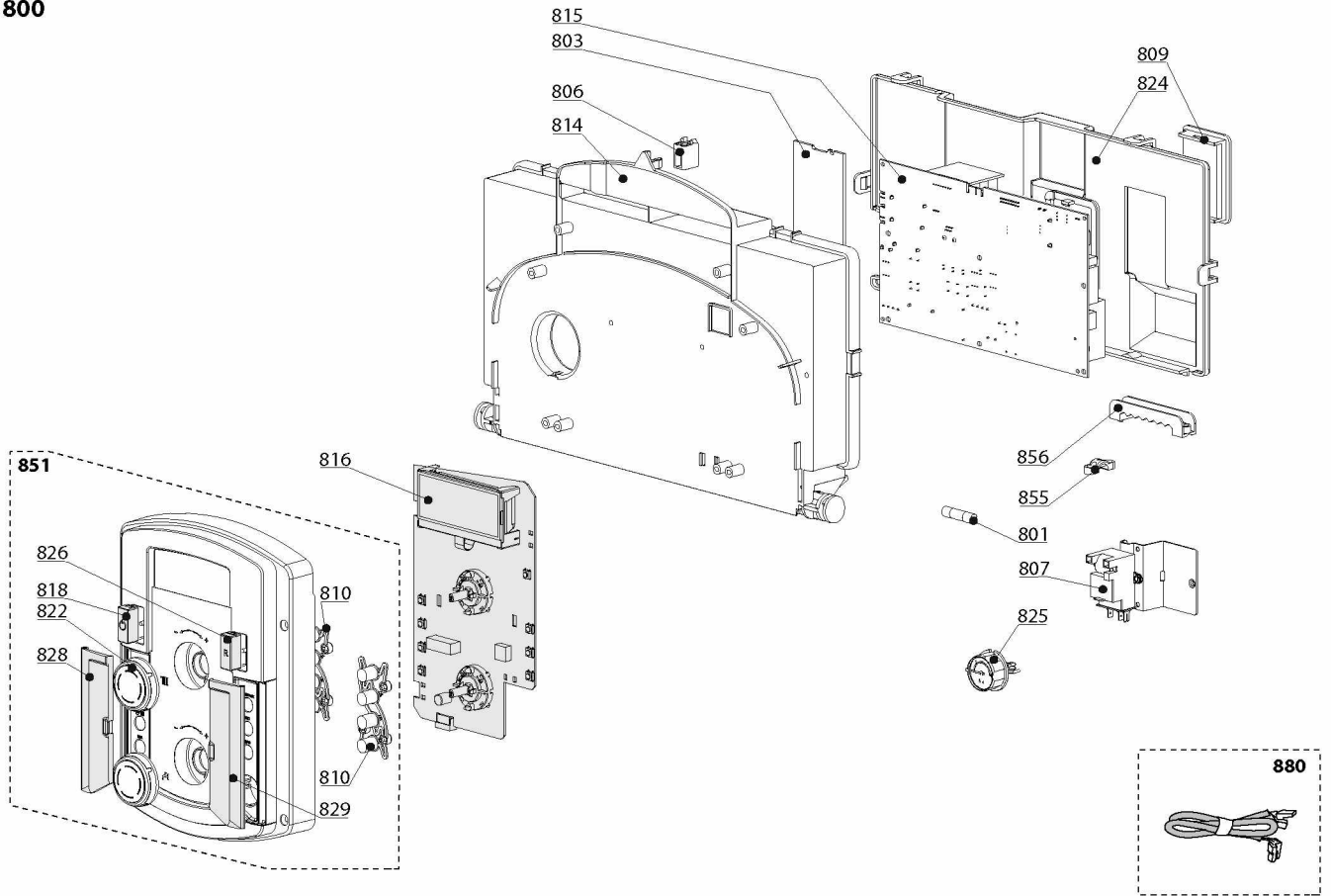
500



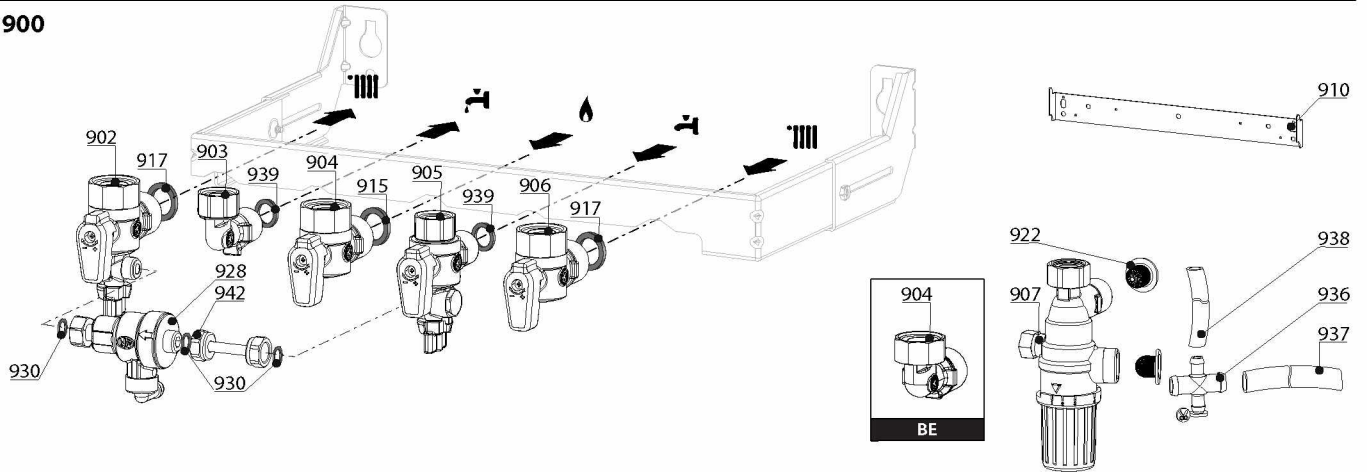


☉➔	Description	Manf. Pt. N	Type	<div style="display: flex; justify-content: space-between; align-items: center;"> <div style="transform: rotate(-45deg); font-size: small;"> MIRA C GREEN 25  MIRA C GREEN 30  MIRA C GREEN 35 </div> <div style="border: 1px solid black; padding: 2px;">  31 </div> </div>																		From	to
				1	2	3	4	5	6	7	8	9	10	11	12	13	14	15	16	17	18		
<b>0600</b>	<b>RETURN GROUP</b>																						
0601	RETURN GROUP	60000874		●	●	●																	
0602	LOW PRESSURE SWITCH	65105090		●	●	●																	
0603	TEMPERATURE PROBE + CLIP	990686-01		●	●	●																	
0604	PUMP 5M 2V WILO	65104319	WILO	●																			
	PUMP 6M 2V WILO	60000591	WILO		●	●																	
0605	MOTOR (3-WAY VALVE)	61302483-01		●	●	●																	
0606	SENSOR (REED)	65104323		●	●	●																	
0607	FLOW METER	60000870		●	●	●																	
0610	MOTOR+SPRING 3 WAY VALVE KIT	60001583-01		●	●	●																	
0612	PLUG	65104377		●	●	●																	
0613	RIDUCTORS (KIT)	65104318		●	●	●																	
0614	AUTO AIR VENT - WILO	65104703	WILO	●	●	●																	
0615	KIT DRAIN SCREW	60001385		●	●	●																	
0616	WATER FILTER	60001372		●	●	●																	
0617	GROMMET	61010109		●	●	●																	
0619	PLUG	65104377		●	●	●																	
0650	PIPE (EXPANSION VESSEL)	60000718		●	●	●																	
0651	PIPE (C.H. RETURN)	60000857		●	●	●																	
0660	CLIP D10	65104260		●	●	●																	
0661	CLIP	65104332		●	●	●																	
0662	CLIP	61307589		●	●	●																	
0663	U-CLIP	65104704		●	●	●																	
0664	CLIP	65104322		●	●	●																	
0665	CLIP	65104331		●	●	●																	
0666	CLIP	60000309		●	●	●																	
0667	CLIP D:6	65100680		●	●	●																	
0668	CLIP	65104316		●	●	●																	
0680	GASKET 3/8 in	573521		●	●	●																	
0681	O-RING 9.19X2.62	65104313		●	●	●																	
0682	O-RING 17.04X3.53	65104262		●	●	●																	
0683	O-RING 23.47X2.62	65104315		●	●	●																	
0684	O-RING 3X35 EPDM 75 SH	65104705		●	●	●																	
0686	O-RING 15.54X2.62	65104325		●	●	●																	
0687	O-RING 5.7X1.9	61009834-10		●	●	●																	
0688	O-RING 21.89X2.62	65104320		●	●	●																	
0689	O-RING 17.17X1.78	65104303		●	●	●																	
0690	O-RING 8.9X2.7	61009834-14		●	●	●																	
0691	O-RING 17.86X2.62	61308091		●	●	●																	

800



900

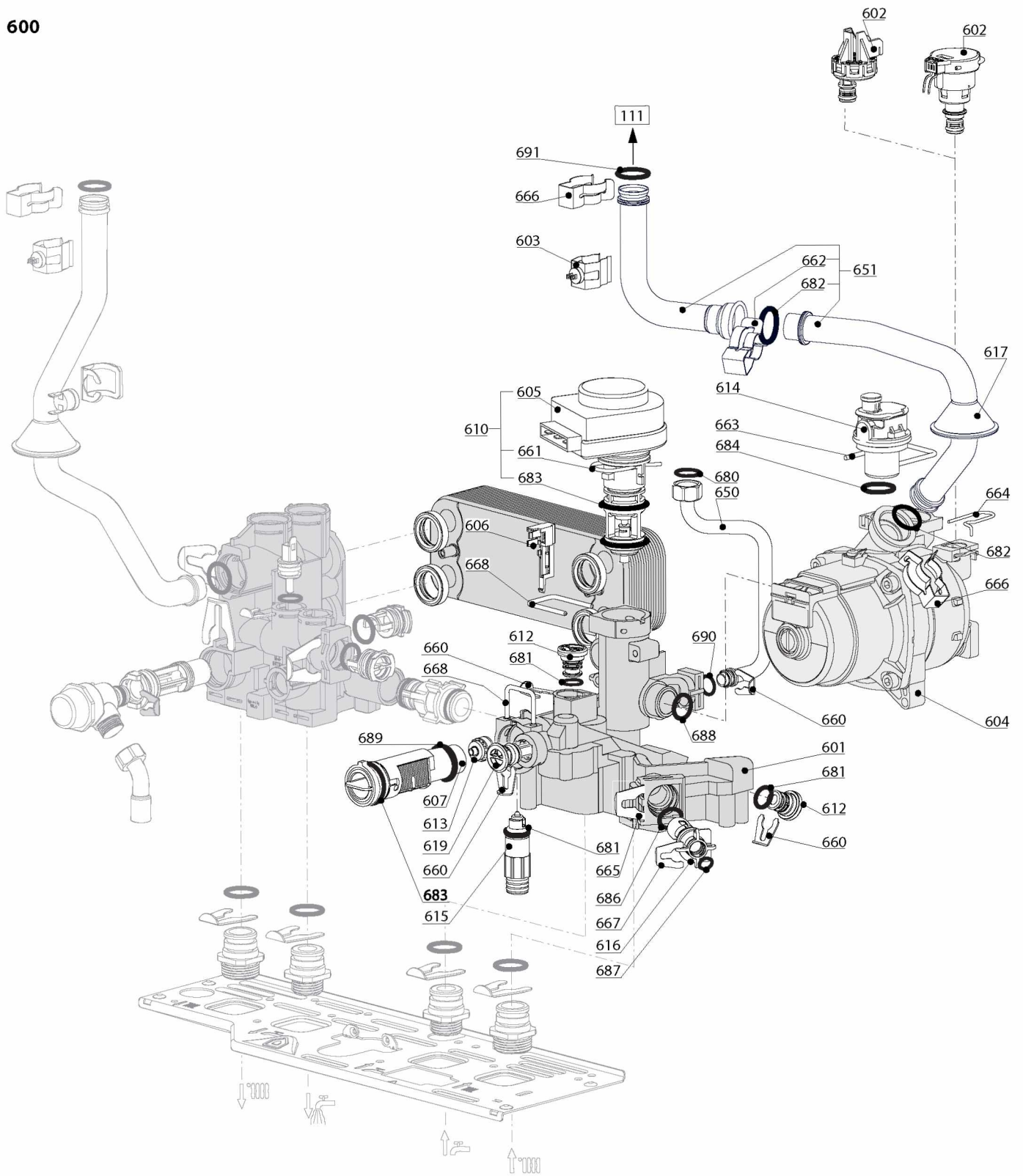


5000

- 5001**
- Gas conv. LPG G30/G31
  - Transf. gaz GPL G30/G31
  - Trasf. gas GPL G30/G31
  - Transf. gas GLP G30/G31
  - Flussiggas Umstellset
  - F-gas G30/G31
  - Ombouset
  - LPG G30/G31

- 5020**
- Accessories
  - Options
  - Opzioni
  - Accessorio
  - Zubehör
  - Opties







MIRA C GREEN 25  
MIRA C GREEN 30  
MIRA C GREEN 35

Description	Manf. Pt N	Type																			From	to				
			1	2	3	4	5	6	7	8	9	10	11	12	13	14	15	16	17	18						
<b>0800 ELECTRICAL BOX</b>																										
0801 FUSE 250V 2A	61003456		●	●	●																					
0803 P.C.B (CLIP-IN) E-BUS	65109108		●	●	●																					
0806 PUSH	65104228		●	●	●																					
0807 IGNITER	61002105-20		●	●	●																					
0809 INSPECTION COVER	65104294		●	●	●																					
0810 PUSH BUTTON	60000978		●	●	●																					
0814 CONTROL PANEL COVER (FRONT)	65104300		●	●	●																					
0815 P.C.B. (MAIN)	65109138-03		●	●	●																					
0816 P.C.B. (DISPLAY)	60000760-03		●	●	●																					
0818 PUSH BUTTON ON/OFF	60000809		●	●	●																					
0822 KNOB	60000762		●	●	●																					
0824 CONTROL PANEL COVER (REAR)	65104293		●	●	●																					
0825 PRESSURE GAUGE	60000725		●	●	●																					
0826 PUSH BUTTON (RESET)	60000806		●	●	●																					
0828 HAND DOOR (L.H.SIDE)	60000761		●	●	●																					
0829 HAND DOOR (R.H.SIDE)	60000759		●	●	●																					
0851 FRONT CONTROL PANEL COMPLETE	60000805		●	●	●																					
0855 CABLE CLAMP	571562		●	●	●																					
0856 CABLE CLAMP	65103377		●	●	●																					
0880 3-WAY VALVE CABLE	65104523	/ CN09	●	●	●																					
CABLE (IGNITION ELECTRODE)	60000527		●	●	●																					
CABLE (IONIZATION ELECTRODE)	60000567	/ CN05	●	●	●																					
CLIP-IN E-BUS WIRING	65105169	/ CN11	●	●	●																					
DISPLAY WIRING - 5 WIRES BLUES	60000746	/ CN02	●	●	●																					
EARTH WIRE	65104286		●	●	●																					
FEEDER 240V	60000542	/ CN20	●	●	●																					
FLOW METER CABLE	60000813	/ CN14	●	●	●																					
IGNITOR - GAS VALVE CABLE	60000543	/ CN03	●	●	●																					
NTC - OVERHEAT - PRESSURE SENSOR CABLE	60001135	/ CN04	●	●	●																					
NTC PROBE - NTC EXCHANGER - FAN	60001234	/ CN22	●	●	●																					
PUMP 2V CABLE 5M WILO	65104520	WILO	●																							
PUMP 2V CABLE 6M WILO	65109585	WILO		●	●																					
ROOM THERMOSTAT CABLE	60000988	/ CN25	●	●	●																					
<b>0900 JIG PLATE &amp; PIPE FITTING</b>																										
0902 WATER FLOW SERVICE TAP	60000886		●	●	●																					
0903 HOT WATER CONNECTION	60000891		●	●	●																					
0904 GAS SERVICE TAP	60000898		●	●	●																					
UNION	65105631		●	●	●																					
0905 COLD WATER TAP	60000894		●	●	●																					
0906 WATER FLOW & RETURN SERVI. TAP	60000885		●	●	●																					
0907 THERMOSTATIC MIXING VALVE	60001081		●	●	●																					
0910 WALL HOOK	60000625		●	●	●																					
0915 GAS SERVICE TAP GASKET	65119354		●	●	●																					
0917 SHEET GASKET D: 24-17-1.5	60061855-19		●	●	●																					
0922 FILTER	60001087		●	●	●																					
0928 DISCONNECTOR	60000881		●	●	●																					
0930 SHEET GASKET D: 11-5-1.5	60061853-07		●	●	●																					
0936 UNION	60000879		●	●	●																					
0937 TUBE PVC D: 13x17 L: 1M	60081266-02		●	●	●																					
0938 TUBE PVC D: 9x12 L: 1M	60081266		●	●	●																					
0939 WASHER D: 18.4-12.2-1.5	60061855-14		●	●	●																					
0942 FILLER NECK	60001078		●	●	●																					
<b>5000 ACCESSORIES</b>																										
5001 BURNER JET FULL KIT (LPG)	60000752		●																							
BURNER JET FULL KIT (LPG)	60000753			●																						
BURNER JET FULL KIT (LPG)	60000754				●																					
5020 AIR RETURN MANIFOLD	65104710		●	●	●																					
CLEANING KIT CONDENSATION	60000982		●	●	●																					
ROD PLATE	60000999		●																							
ROD PLATE	60001000			●	●																					

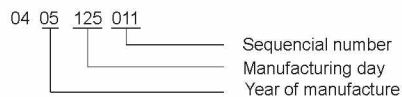
## LIST OF THE ABBREVIATIONS

HW .....	: Hot water.
CW .....	: Cold water.
C .....	: Ceramic resistance (normal heating).
Ca .....	: Ceramic resistance (accelerated heating)
TP .....	: Immersion heater.
1F .....	: With fittings.
2F .....	: Without fittings.
3F .....	: With fittings and another outlet connection.
AMI .....	: With mixing valve.
SMI .....	: Without mixing valve.
PUISS .....	: Power of th appliance.
PN .....	: Appliance with normal pression.
LP .....	: Appliance with low pression.
PV .....	: Appliance with variable power.
PF .....	: Appliance with fixed power.

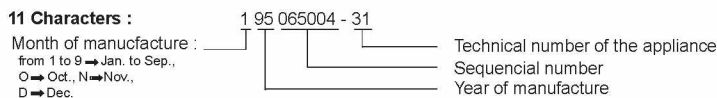
## IDENTIFICATION PLATE

### SERIAL NUMBER

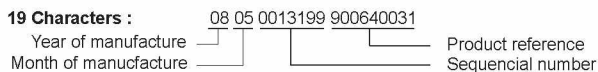
#### 10 Characters :



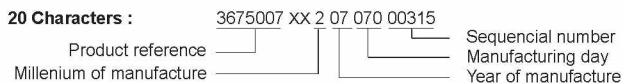
#### 11 Characters :



#### 19 Characters :



#### 20 Characters :



#### 21 Characters :

