

SPARE PARTS EXPLODED VIEW GAS-WALL BOILER ATM. BURNER

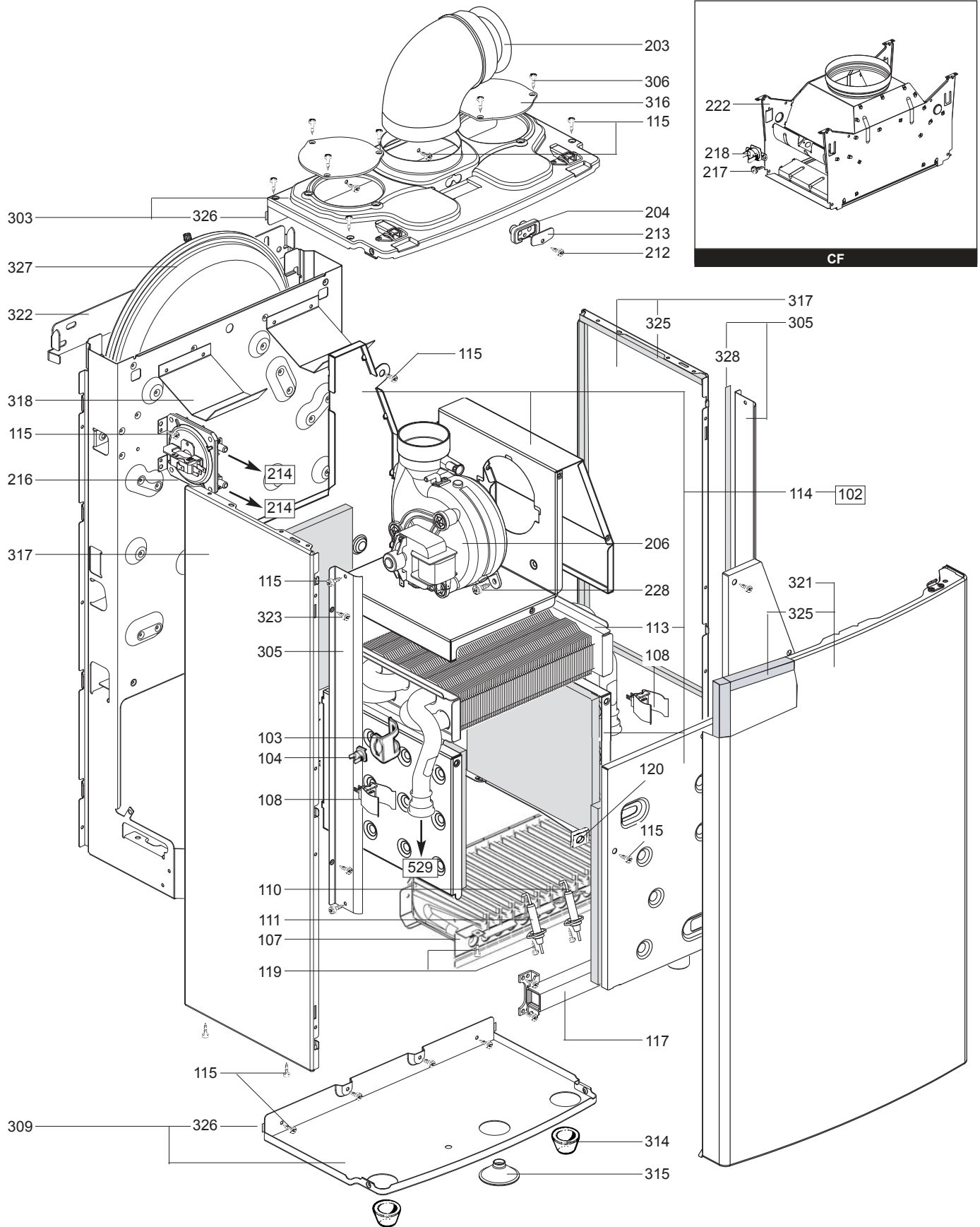
Model

MIRA - MIRA SYSTEM

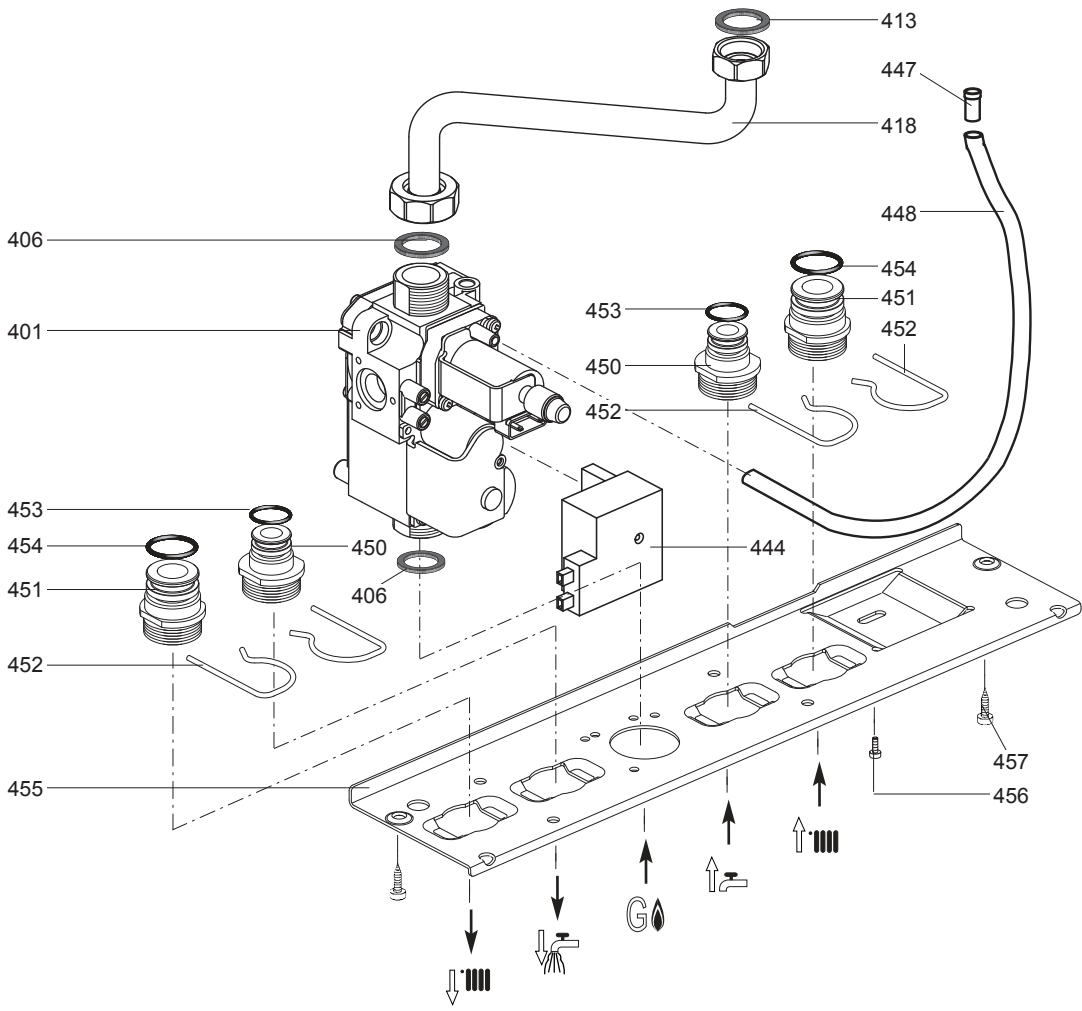
R8202953-04 - 28/06/2013

1	3650070	MIRA 24 CF NAT EAA	09-2005	09-2008
2	3650069	MIRA 24 FF NAT EAA	09-2005	09-2008
3	3650034	MIRA SYSTEM 24 CF N TP	03-2005	04-2008
4	3650035	MIRA SYSTEM 24 FF N TP	03-2005	03-2008
5	3650071	MIRA 30 FF NAT EAA	09-2005	06-2008
6	3650037	MIRA SYSTEM 30 FF N TP	03-2005	03-2008

Col	Reference	Model type	Begin	End
-----	-----------	------------	-------	-----



Description	Manf. Pt. N	Type	<div style="display: flex; justify-content: space-between; align-items: center;"> <div style="writing-mode: vertical-rl; transform: rotate(180deg); font-size: 8px;">MIRA-24 CF</div> <div style="writing-mode: vertical-rl; transform: rotate(180deg); font-size: 8px;">MIRA-24 FF</div> <div style="writing-mode: vertical-rl; transform: rotate(180deg); font-size: 8px;">MIRA SYSTEM 24 CF</div> <div style="writing-mode: vertical-rl; transform: rotate(180deg); font-size: 8px;">MIRA SYSTEM 24 FF</div> <div style="writing-mode: vertical-rl; transform: rotate(180deg); font-size: 8px;">MIRA SYSTEM 30 FF</div> </div>																	
			1	2	3	4	5	6	7	8	9	10	11	12	13	14	15	16	17	18
0100 BURNER ASSEMBLY																				
0102 COMBUSTION CHAMBER LINING KIT	61400230			•		•														
COMBUSTION CHAMBER LINING KIT	61400231		•		•		•	•												
0103 CLIP	61010050		•	•	•	•	•	•												
0104 OVERHEAT THERMOSTAT 105C	61010191			•		•	•	•												
OVERHEAT THERMOSTAT 105C	61303566		•		•															
0107 BURNER 24CF	61311357		•		•															
BURNER 24FF	61315073			•		•														
BURNER 30FF	61311028							•	•											
0108 TEMPERATURE PROBE + CLIP	990686		•	•	•	•	•	•												
0109 ELECTRODE CABLE	61313738		•	•	•	•	•	•												
0110 IGNITION ELECTRODE	61314169		•	•	•	•	•	•												
0111 IONIZATION ELECTRODE	60000231		•	•	•	•	•	•												
0113 HEAT EXCHANGER 24CF	61310422		•		•															
HEAT EXCHANGER 24FF	61310774			•		•														
HEAT EXCHANGER 30FF	61310430							•	•											
0114 COMBUSTION CHAMBER ASSY 24CF	61311368-01		•		•															
COMBUSTION CHAMBER ASSY 24FF	61314556-01			•		•														
COMBUSTION CHAMBER ASSY 30FF	61314557-01							•	•											
0115 TAPPING SCREW CBLX D: 4.2-9.5	61010125		•	•	•	•	•	•												
0117 MANIFOLD 11 INJ. D:1.35	61311026	NAT		•		•														
MANIFOLD 12 INJ. D:1.25	61311358	NAT	•		•															
MANIFOLD 14 INJ. D:1.30	61311033	NAT						•	•											
0119 TAPPING SCREW ST D: 4.2-9.5	61313796		•	•	•	•	•	•												
0120 SPIRE CLIP	60057488		•	•	•	•	•	•												
0200 FAN ASSEMBLY																				
0203 RESTRICTOR	60000197			•		•														
RESTRICTOR	60000198							•	•											
0204 GASKET (FLUE TEST POINT)	998636			•		•		•	•											
0206 FAN ASSY 1V 24FF	61310933			•		•														
FAN ASSY 1V 30FF	61312496							•	•											
0212 SCREW CLXS M 4-12	61015153			•		•		•	•											
0213 COVER (FLUE TEST POINT)	998565			•		•		•	•											
0214 SILICONE TUBE D: 9x3 L: 1.30M	60081265			•		•		•	•											
0216 AIR PRESSURE SWITCH 125 Pa	61313340-01			•		•														
AIR PRESSURE SWITCH 166 Pa	61313932-01							•	•											
0217 SHEET SCREW CBLX D: 3.5-6.5	61010126		•		•															
0218 OVERHEAT THERMOSTAT 72C	61010074		•		•															
0222 DRAUGHT DIVERTER	61312338		•		•															
0228 TAPPING SCREW CBLX D: 6.3-19	61010127			•		•		•	•											
0300 SEALED CASE																				
0303 TOP PANEL BOX	61312650			•		•		•	•											
0305 RIGHT CONTROL PANEL	61312643			•		•		•	•											
0306 TAPPING SCREW CBLX D: 4.2-9.5	61010125		•		•		•	•												
0309 BASE - BOX	61315439		•		•		•	•												
0314 GROMMET	61010109		•		•		•	•												
0315 GROMMET	61312492		•		•		•	•												
0316 AIR RETURN COVER	990350		•		•		•	•												
0317 CONTROL PANEL	61310860		•		•		•	•												
LEFT SIDE PANEL	61312814		•		•															
RIGHT SIDE PANEL	61312356		•		•															
0318 DEFLECTOR	61313778			•		•		•	•											
0321 CASE	61313042			•		•		•	•											
CASE	61313402		•		•															
0322 WALL HOOK	61312611		•	•	•	•	•	•												
0323 TAPPING SCREW D: 3.5-9.5	61015329		•	•	•	•	•	•												
0325 FOAM SEAL 20x15 L: 1.7M	61400236		•	•	•	•	•	•												
0326 FOAM SEAL 10x2 L: 800mm	61400237		•		•		•	•												
0327 EXPANSION VESSEL 6L	61311907		•	•	•	•	•	•												
0328 FOAM SEAL 15x10 L: 1M	61400393		•		•		•	•												



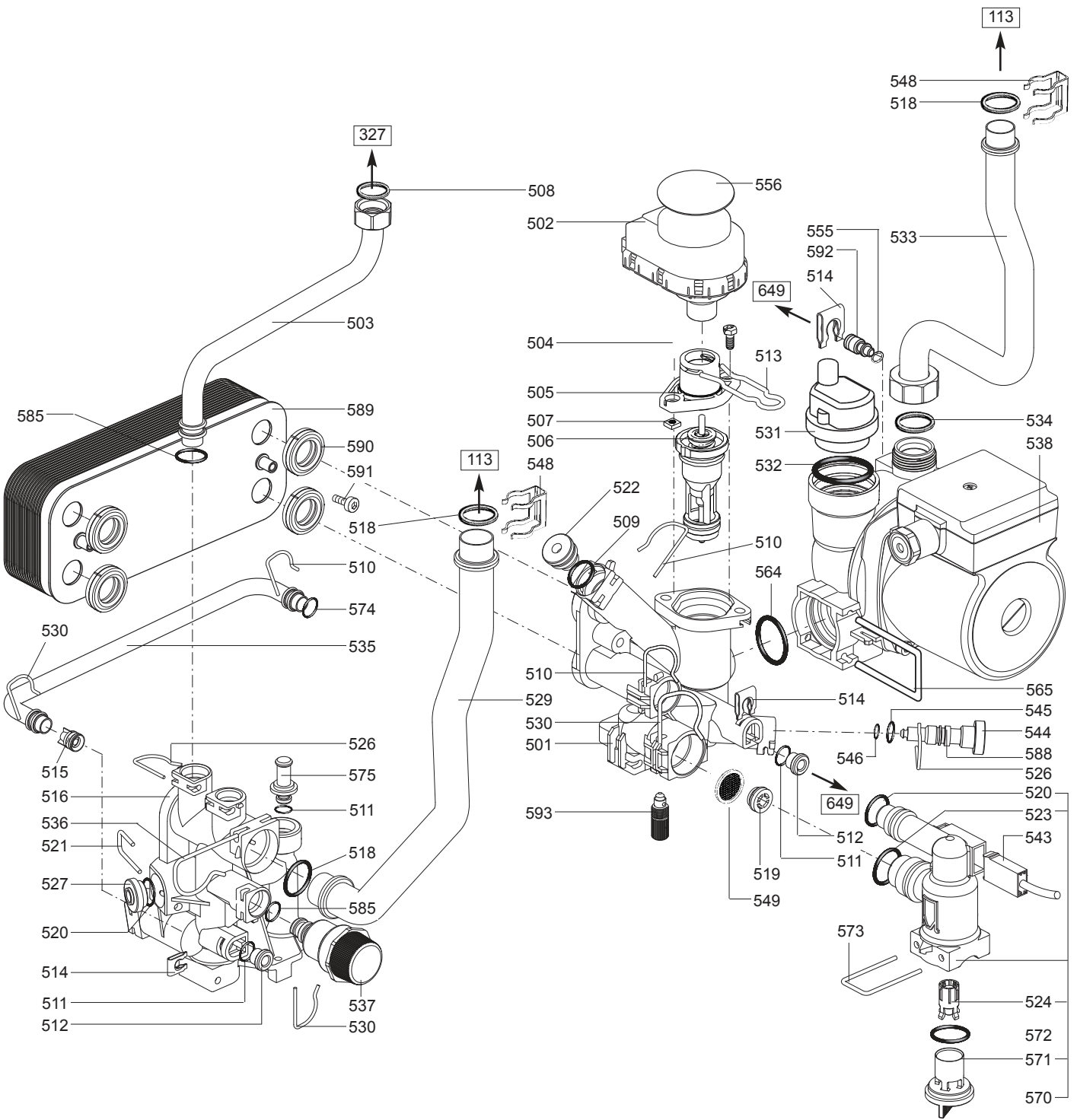
☉ →	Description	Manf. Pt. N	Type	<div style="display: flex; justify-content: space-between; margin: 0;"> MIRA-24 CF MIRA-24 FF MIRA SYSTEM 24 CF MIRA SYSTEM 24 FF MIRA-30 FF MIRA SYSTEM 30 FF </div>																		☐
				1	2	3	4	5	6	7	8	9	10	11	12	13	14	15	16	17	18	

31

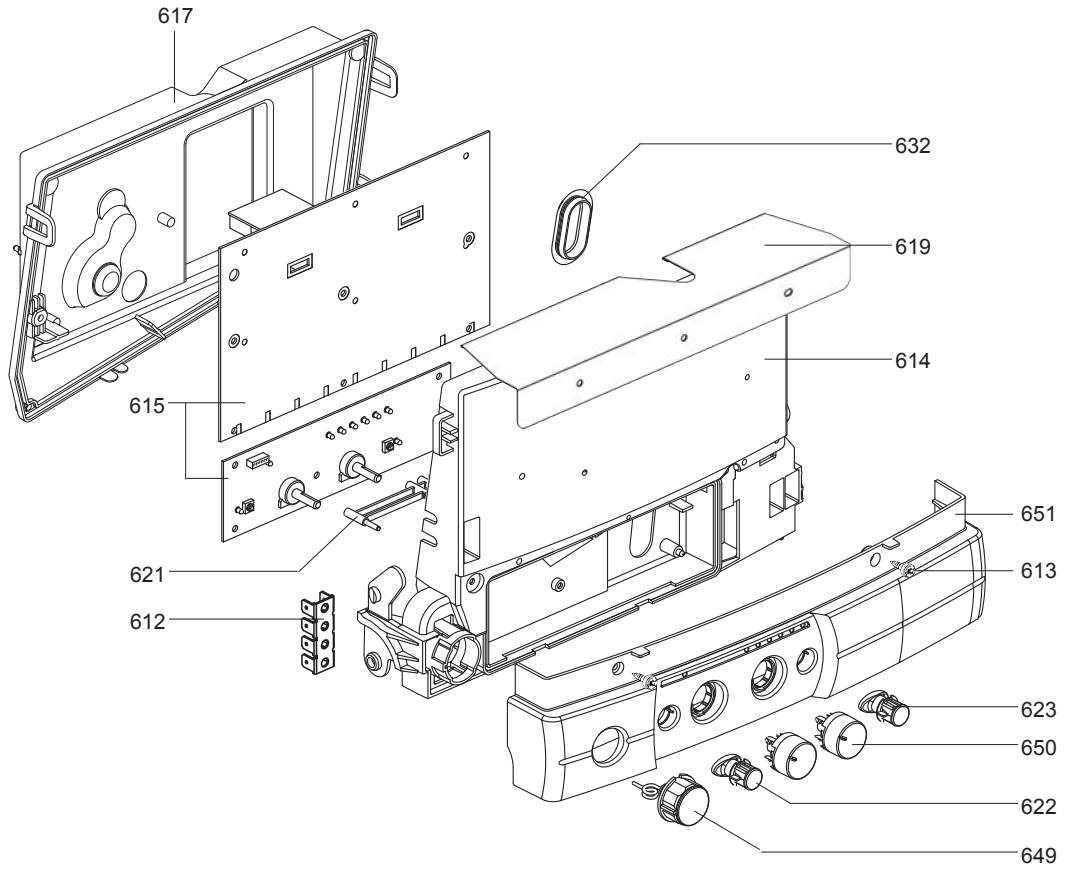
0400	GAS SECTION																		
0401	GAS VALVE	61312123		●	●	●	●	●	●										
0406	SHEET GASKET D: 24-18.2-1.5	60022835-01		●	●	●	●	●	●										
0413	SHEET GASKET D: 18.4-12.2-1.5	60022835-14		●	●	●	●	●	●										
0418	GAS TUBE	61312603			●		●	●	●										
	GAS TUBE	61313505		●		●													
0444	IGNITER	61312612		●	●	●	●	●	●										
0447	RIVET	573325			●		●	●	●										
0448	COMPENSATION TUBE	573576			●		●	●	●										
0450	CONNECTION	61311718		●	●	●	●	●	●										
0451	CONNECTION	61311719		●	●	●	●	●	●										
0452	PIN	61302332		●	●	●	●	●	●										
0453	O-RING D: 13.6-2.7	60024164-18		●	●	●	●	●	●										
0454	O-RING D: 18-3.15	61312979		●	●	●	●	●	●										
0456	SCREW CBLXS M 5-12	61301928		●	●	●	●	●	●										
0457	TAPPING SCREW CBLXS D: 6.3-13	61010648		●	●	●	●	●	●										

MIRA - MIRA SYSTEM

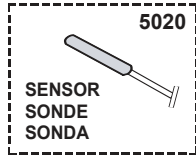
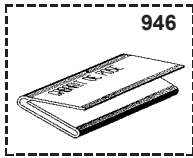
Gas-wall boiler atm. burner

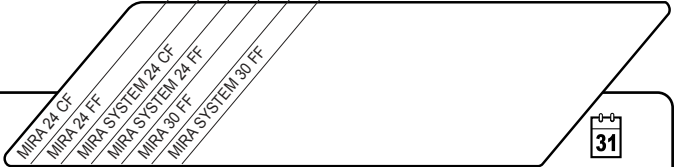


☉→	Description	Manf. Pt. N	Type																			31
				1	2	3	4	5	6	7	8	9	10	11	12	13	14	15	16	17	18	
0500	HYDRAULIC BLOCK																					
0501	RIGHT HAND BLOCK	60000051																				
	RIGHT HAND BLOCK + V3V	61315676		•	•																	
0502	MOTOR - THREE-WAY VALVE	61302483-01		•	•																	
0503	TUBE (Expan vessel)	61312602		•	•	•	•	•	•	•												
0504	SCREW CHc M 5-12	61018365		•	•	•	•	•	•	•												
0505	INTERFACE	61304003		•	•																	
0506	VALVE KIT	61311597		•	•	•	•	•	•	•												
0507	NUT M 5	61016604		•	•	•	•	•	•	•												
0508	SHEET GASKET D: 12-6-2	61308868		•	•	•	•	•	•	•												
0509	O-RING D: 13.6-2.7	61009834-18		•	•	•	•	•	•	•												
0510	CLIP	61010112		•	•	•	•	•	•	•												
0511	O-RING D: 5.7-1.9	60024164-10		•	•	•	•	•	•	•												
0512	PLUG	61016752		•	•	•	•	•	•	•												
0513	PIN	61304002		•	•																	
0514	CLIP	61002406		•	•	•	•	•	•	•												
0515	BY-PASS D:20	61316013		•	•	•	•	•	•	•												
0516	LEFT HAND HYDRAULIC BLOCK	61312303		•	•																	
	LEFT HAND HYDRAULIC BLOCK	61315513		•	•	•	•	•	•	•												
0518	O-RING D: 17-4	60024164-51		•	•	•	•	•	•	•												
0519	FLOW REGULATORE 10L/MN (WHITE)	61017288-10								•												
	FLOW REGULATORE 8L/MN (RED)	61017288-08		•	•																	
0520	O-RING D: 13.6-2.7	60024164-18		•	•	•	•	•	•	•												
0521	PIN	61012909-02		•	•	•	•	•	•	•												
0522	PLUG	61313056		•	•	•	•	•	•	•												
0523	O-RING D: 18.4-2.7	60024164-22		•	•																	
0524	PISTON	61311314		•	•																	
0526	CLIP	61010005		•	•	•	•	•	•	•												
0527	PLUG	61002490		•	•	•	•	•	•	•												
0529	HEAT EXCHANGER TUBE	61312604		•	•																	
	HEAT EXCHANGER TUBE	61313033		•	•	•	•	•	•	•												
0530	CLIP	61313953		•	•	•	•	•	•	•												
0531	AIR SEPARATOR HEAD ASSEMBLY	61304608		•	•	•	•	•	•	•												
0532	GASKET KIT	61304618		•	•	•	•	•	•	•												
0533	TUBE : PUMP TO HEAT EXCHANGER	61312605		•	•																	
	TUBE : PUMP TO HEAT EXCHANGER	61313034		•	•	•	•	•	•	•												
0534	O-RING D: 16-1.9	61009833-37		•	•	•	•	•	•	•												
0535	BYPASS TUBE D:15	61314383		•	•	•	•	•	•	•												
0536	PIN	61302332		•	•	•	•	•	•	•												
0537	PRESSURE RELIEF VALVE (3 BAR)	61312668		•	•	•	•	•	•	•												
0538	PUMP + AIR SEPARATOR 15/50	61301964		•	•	•	•	•	•	•												
	PUMP + AIR SEPARATOR 15/60	61303461		•	•	•	•	•	•	•												
0543	STOPPED WATER THROTTLE	61311745		•	•																	
0544	TAP KNOB	60066107		•	•	•	•	•	•	•												
0545	O-RING D: 8.9-1.9	60024164-13		•	•	•	•	•	•	•												
0546	O-RING D: 3.6-2.4	61009834-53		•	•	•	•	•	•	•												
0548	CLIP	61010609		•	•	•	•	•	•	•												
0549	WATER FILTER	61301924		•	•																	
0550	CAPACITOR	61000652-10		•	•	•	•	•	•	•												
0555	O RING D: 5.7-1.9	61009834-10		•	•	•	•	•	•	•												
0556	INSULATION	61313086		•	•																	
0564	O-RING D: 24.6-3.6	61009834-30		•	•	•	•	•	•	•												
0565	PIN	61305185		•	•	•	•	•	•	•												
0570	STOPPED WATER THROTTLE BODY	60000668		•	•																	
0571	PLUG	61314175		•	•																	
0572	O-RING D: 25-2.4	60024164-32		•	•																	
0573	PIN	61016206-02		•	•																	
0574	GASKET D: 15-3	61315715		•	•	•	•	•	•	•												
0575	PLUG	61010485		•	•	•	•	•	•	•												
0585	O-RING D: 8.9-2.7	61009834-14		•	•	•	•	•	•	•												
0588	SPINDLE	61312368		•	•	•	•	•	•	•												
0589	WATER / WATER HEAT EXCHANGER 16	61302409-01		•	•																	
0590	EXCHANGER GASKET	65104334		•	•	•	•	•	•	•												
0591	SCREW CLX M 5-20	61017600		•	•																	
0592	PLUG	61314575		•	•	•	•	•	•	•												
0593	DRAIN SCREW ASSY	60081904		•	•	•	•	•	•	•												



☉⇒	Description	Manf. Pt. N	Type	<div style="display: flex; justify-content: space-between; align-items: center;"> <div style="writing-mode: vertical-rl; transform: rotate(180deg); font-size: small;">MIRA 24 CF</div> <div style="writing-mode: vertical-rl; transform: rotate(180deg); font-size: small;">MIRA 24 FF</div> <div style="writing-mode: vertical-rl; transform: rotate(180deg); font-size: small;">MIRA SYSTEM 24 CF</div> <div style="writing-mode: vertical-rl; transform: rotate(180deg); font-size: small;">MIRA SYSTEM 24 FF</div> <div style="writing-mode: vertical-rl; transform: rotate(180deg); font-size: small;">MIRA 30 FF</div> <div style="writing-mode: vertical-rl; transform: rotate(180deg); font-size: small;">MIRA SYSTEM 30 FF</div> </div>																		31
				1	2	3	4	5	6	7	8	9	10	11	12	13	14	15	16	17	18	
0600	ELECTRICAL BOX																					
0609	CONNECTOR COVER	61311659		•	•			•	•	•												
0611	WIRE ASSEMBLY	60000199				•																
	WIRE ASSEMBLY	61312616		•																		
	WIRE ASSEMBLY	61315198				•				•												
	WIRE ASSEMBLY	61316807							•		•											
0612	CONNECTION STRIP	61002725		•	•	•	•	•	•	•												
0613	TAPPING SCREW TCBL D:4 L:10	61020509		•	•	•	•	•	•	•												
0614	ELECTRIC BOX PLATE	61314330		•	•	•	•	•	•	•												
0615	PRINTED CIRCUIT BOARDS	60000469		•	•	•	•	•	•	•												
0617	ELECTRICAL BOX COVER	61313986		•	•	•	•	•	•	•												
0619	DEFLECTOR	61315219		•	•	•	•	•	•	•												
0621	TRANSMITTER OF LEDS	61312415		•	•	•	•	•	•	•												
0622	KNOB	61312414		•	•	•	•	•	•	•												
0623	IGNITION PUSH ROD	61313385		•	•	•	•	•	•	•												
0626	PROGRAMMER CABLE	61313040		•	•				•													
0627	FUSE 250V 0.315A - TEMPORIZED	61307845		•	•	•	•	•	•	•												
	FUSE 250V 1.25A - TEMPORIZED	61003635		•	•	•	•	•	•	•												
	FUSE 250V 2A - TEMPORIZED	61003456		•	•	•	•	•	•	•												
0632	CLOSURE PLATE	61304599		•	•	•	•	•	•	•												
0637	HOLE PLATE (WITHOUT HOLE)	61312186		•	•				•													
0638	CABLE THREE WAY VALVE	61312615		•	•				•													
0644	CONNECTING TERMINAL	61308032		•	•	•	•	•	•	•												
0649	PRESSURE GAUGE	60000816		•	•	•	•	•	•	•								05/05				
	PRESSURE GAUGE	61313561		•	•	•	•	•	•	•									04/05			
0650	WHITE KNOB	61312413		•	•	•	•	•	•	•												
0651	SERIGRA. STRIP (WITHOUT PROG.)	61315200				•	•		•													
	SERIGRAPHED STRIP (FOR PROG.)	60000188		•	•				•													



☉ ⇒	Description	Manf. Pt. N	Type																			
				1	2	3	4	5	6	7	8	9	10	11	12	13	14	15	16	17	18	
0900	JIG PLATE & PIPE FITTING																					
0943	FITTING KIT	60000189		●																		
	FITTING KIT	61314691			●		●	●	●	●												
0946	JIG PLATE	61313748		●	●	●	●	●	●	●												
5000	ACCESSORIES																					
5003	BURNER JET FULL KIT (LPG)	60000455		●		●																
	CONVERSION KIT GZ350	60000456			●		●															
	CONVERSION KIT GZ350	60000457							●	●												
5004	BURNER JET FULL KIT (LPG)	60000458		●		●																
	CONVERSION KIT GZ410	60000459			●		●															
	CONVERSION KIT GZ410	60000460							●	●												
5020	BOILER THERMISTOR TEMP. SENSOR	60000454				●	●			●												

LIST OF THE ABBREVIATIONS

HW	: Hot water.
CW	: Cold water.
C	: Ceramic resistance (normal heating).
Ca	: Ceramic resistance (accelerated heating)
TP	: Immersion heater.
1F	: With fittings.
2F	: Without fittings.
3F	: With fittings and another outlet connection.
AMI	: With mixing valve.
SMI	: Without mixing valve.
PUISS	: Power of th appliance.
PN	: Appliance with normal pression.
LP	: Appliance with low pression.
PV	: Appliance with variable power.
PF	: Appliance with fixed power.

IDENTIFICATION PLATE

SERIAL NUMBER

10 Characters :	04 05 125 011		
		Sequential number	
		Manufacturing day	
		Year of manufacture	
11 Characters :	1 95 065004 - 31		
Month of manufacture :		Technical number of the appliance	
from 1 to 9 → Jan. to Sep.,		Sequential number	
O → Oct., N → Nov.,		Year of manufacture	
D → Dec.			
19 Characters :	08 05 0013199 900640031		
Year of manufacture		Product reference	
Month of manufacture		Sequential number	
20 Characters :	3675007 XX 2 07 070 00315		
Product reference		Sequential number	
Millenium of manufacture		Manufacturing day	
		Year of manufacture	
21 Characters :	3675007 XX 07 070 0000315		
Product reference		Sequential number	
Year of manufacture		Manufacturing day	