



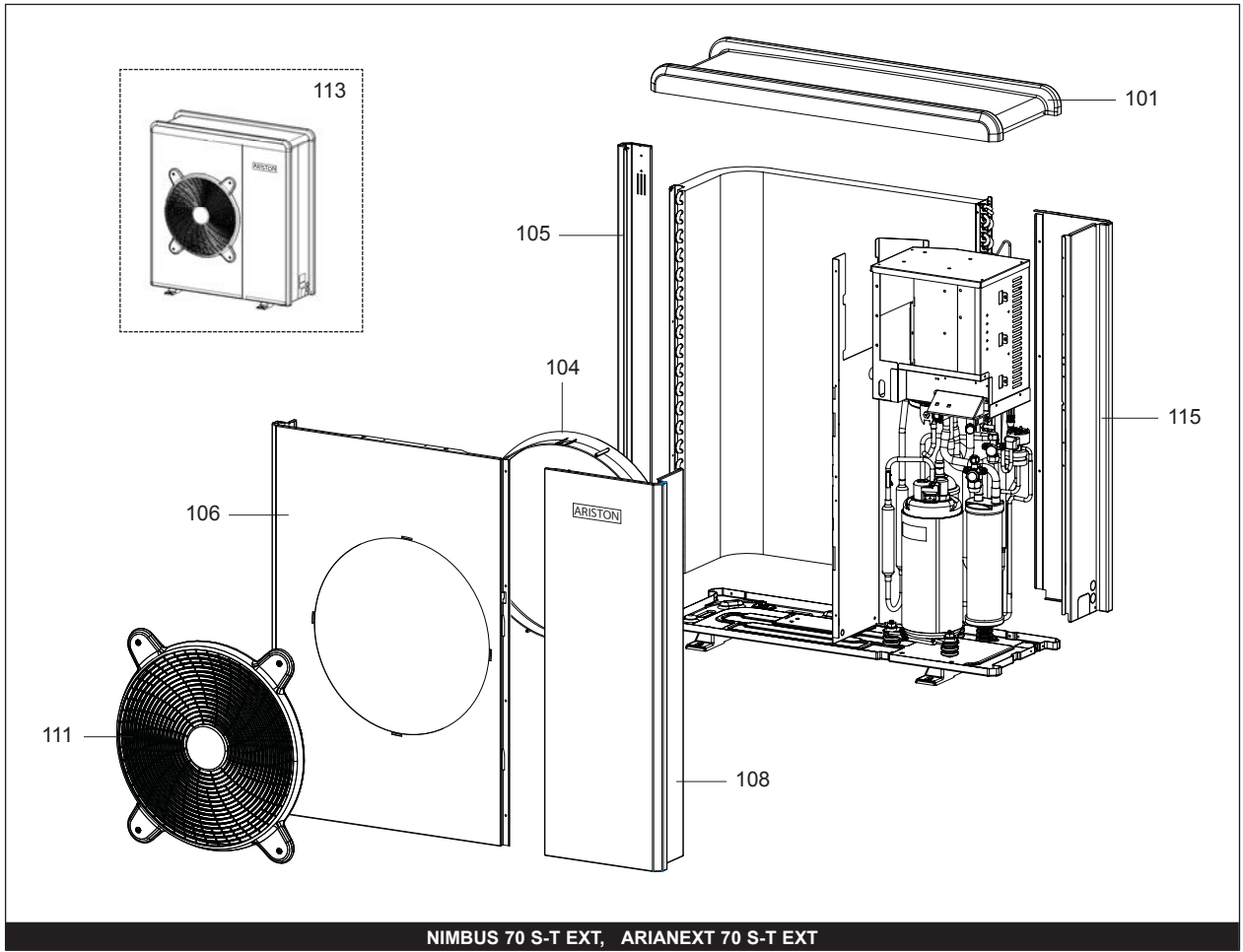
SPARE PARTS EXPLODED VIEW HEAT PUMPS

Model

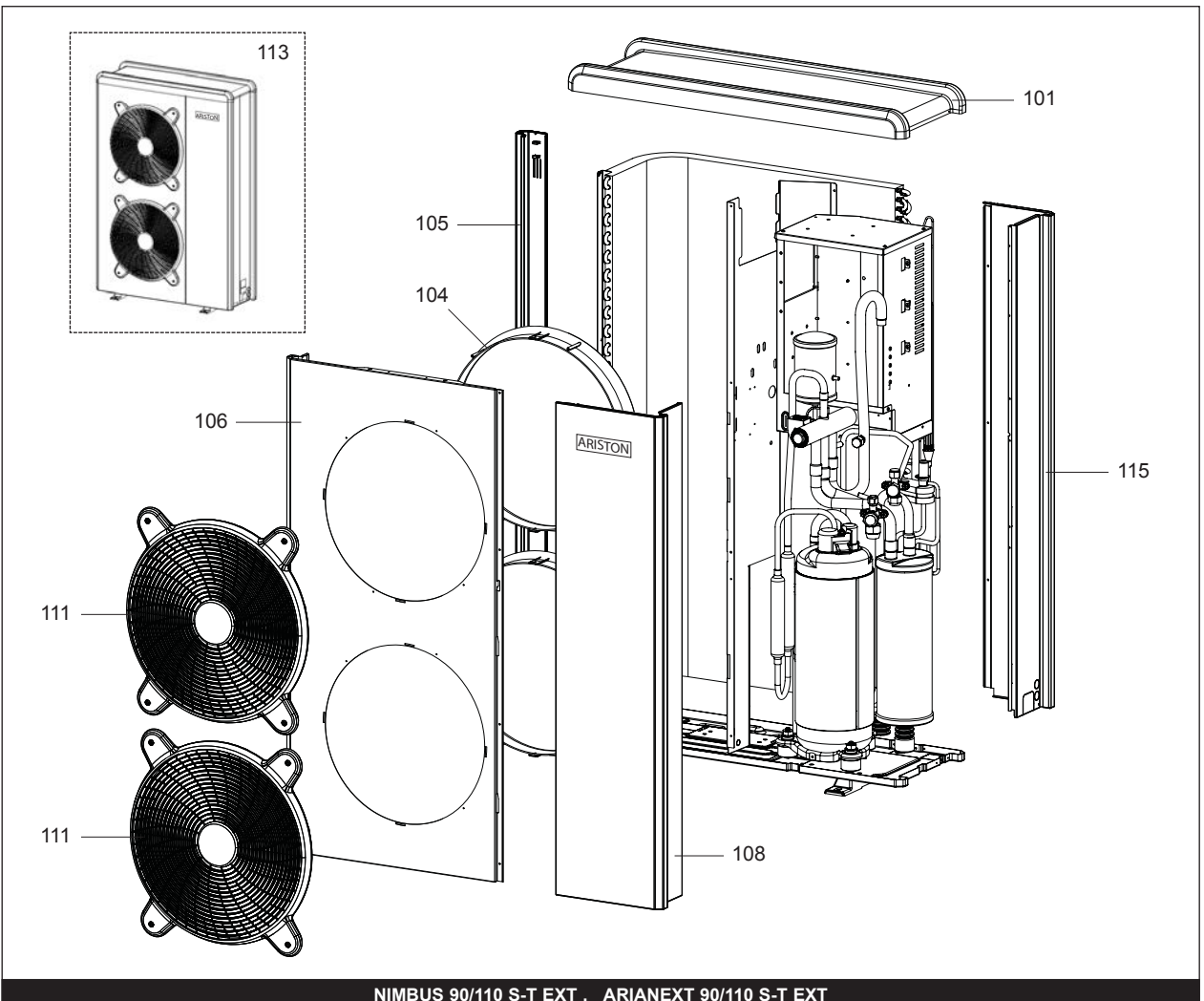
NIMBUS/ARIANEXT S-T EXT

R8217549-05 - 27/11/2020

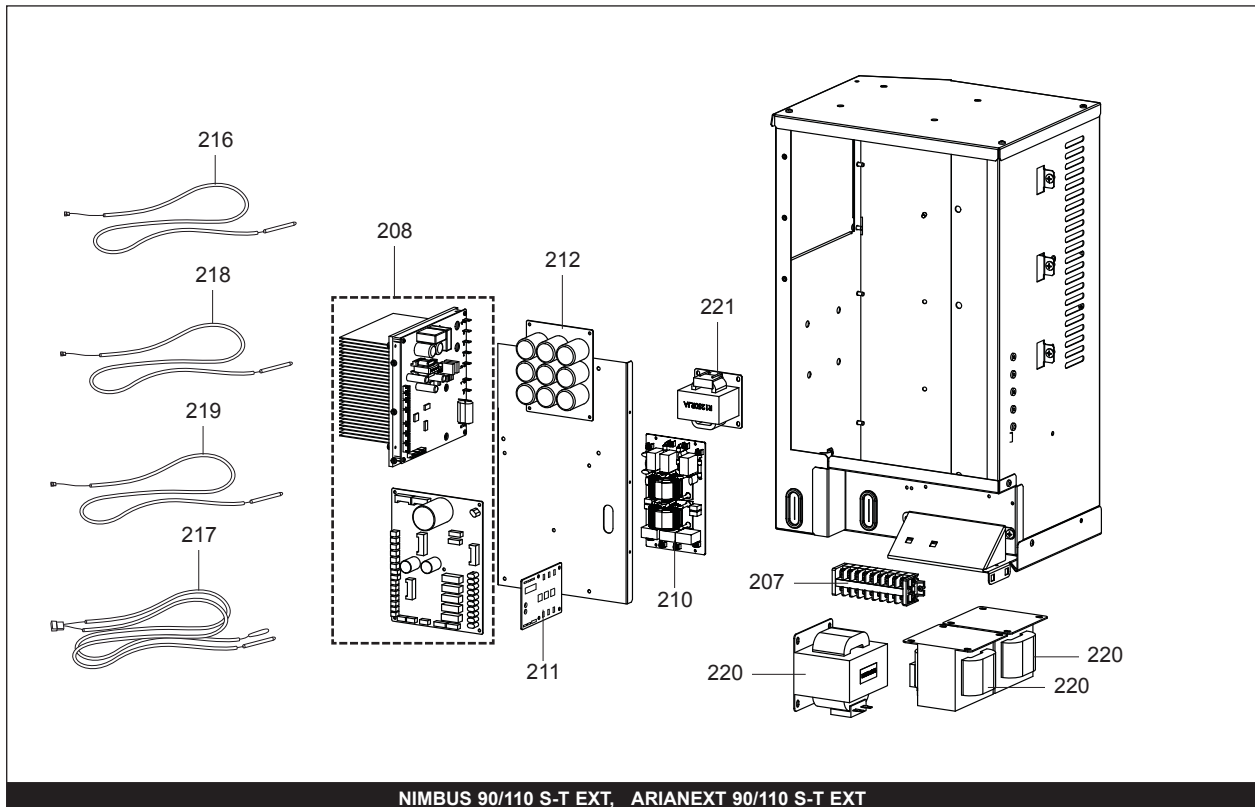
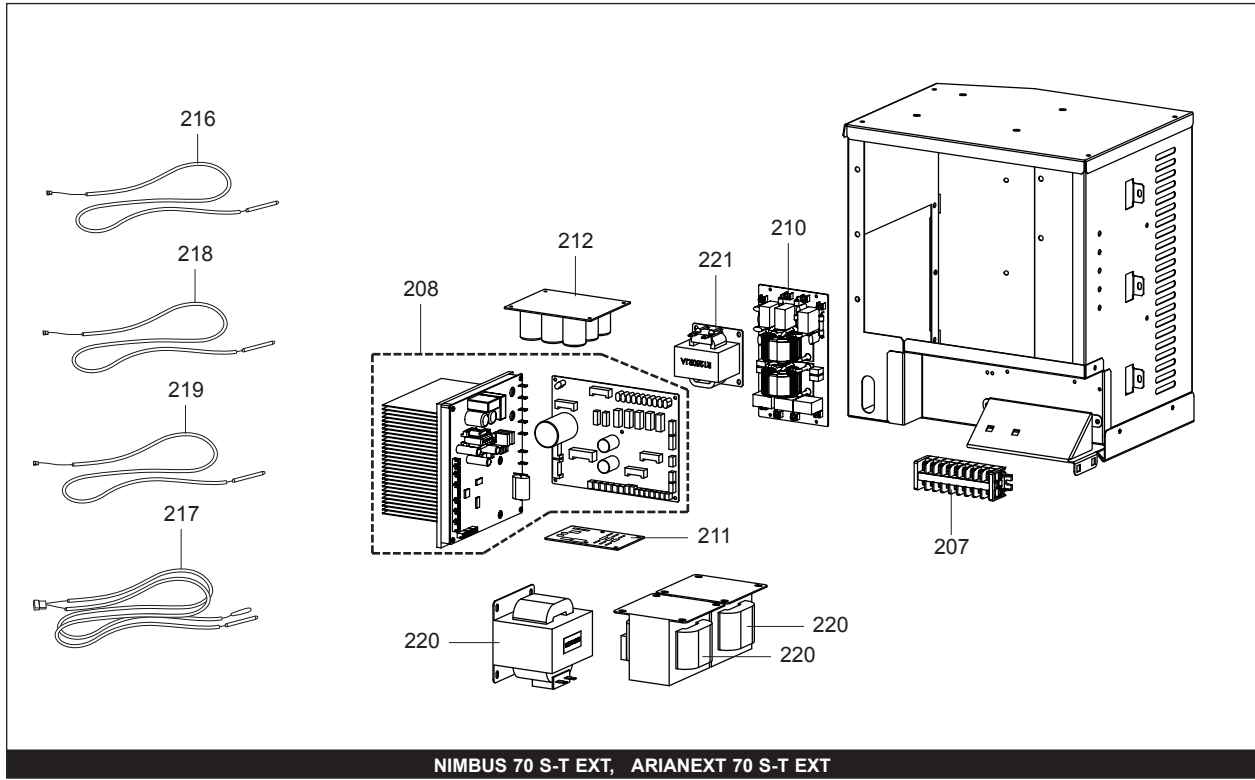
1	3629040	NIMBUS 70 S-T EXT	09-2016	-
2	3630170	ARIANEXT 70 S-T EXT	09-2016	-
3	3629041	NIMBUS 90 S-T EXT	09-2016	-
4	3630171	ARIANEXT 90 S-T EXT	09-2016	-
5	3629043	NIMBUS 110 S-T EXT	09-2016	-
6	3630172	ARIANEXT 110 S-T EXT	09-2016	-
Col	Reference	Model type	Begin	End

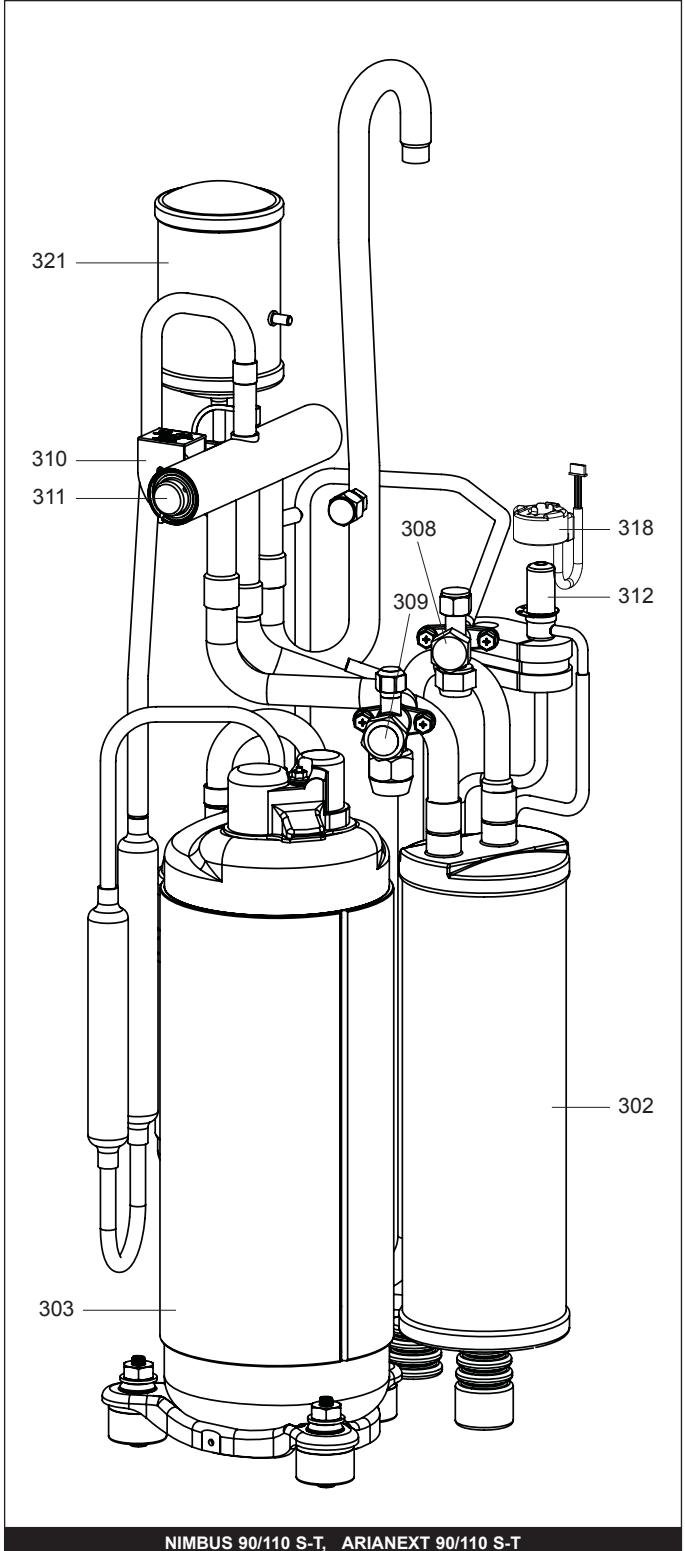
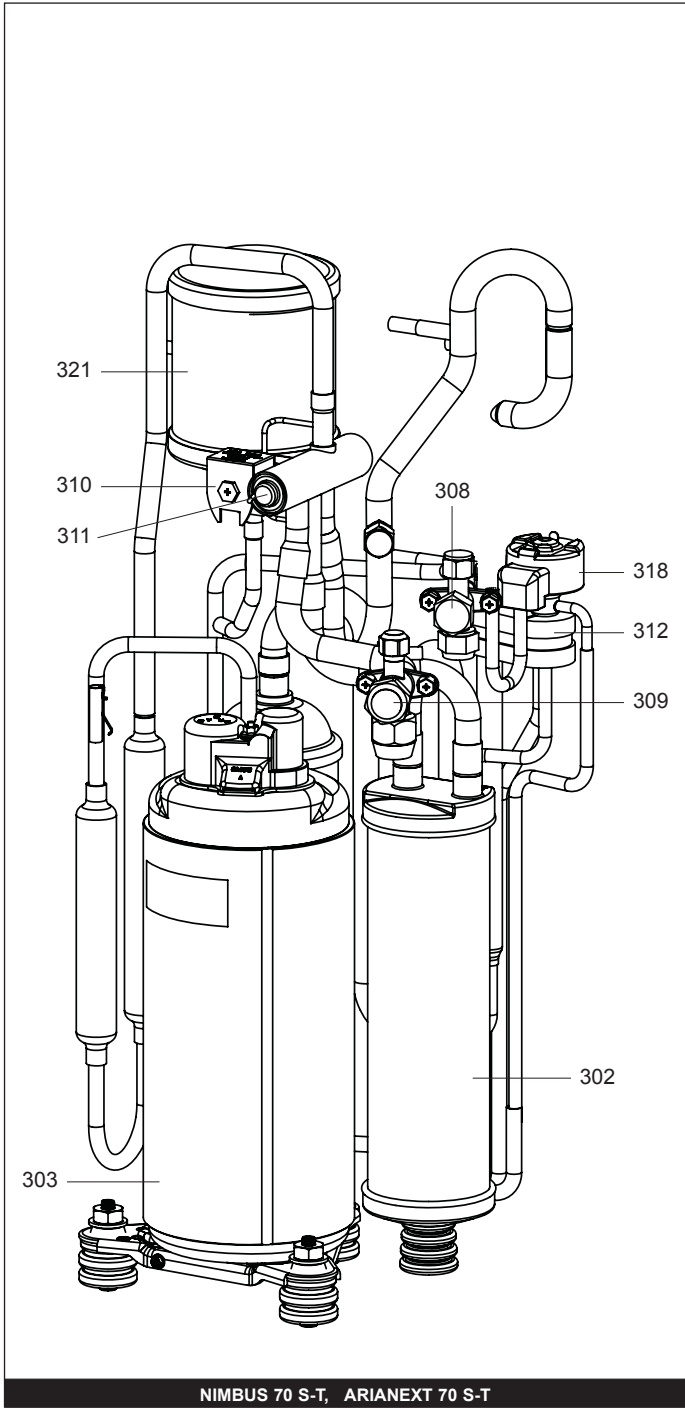


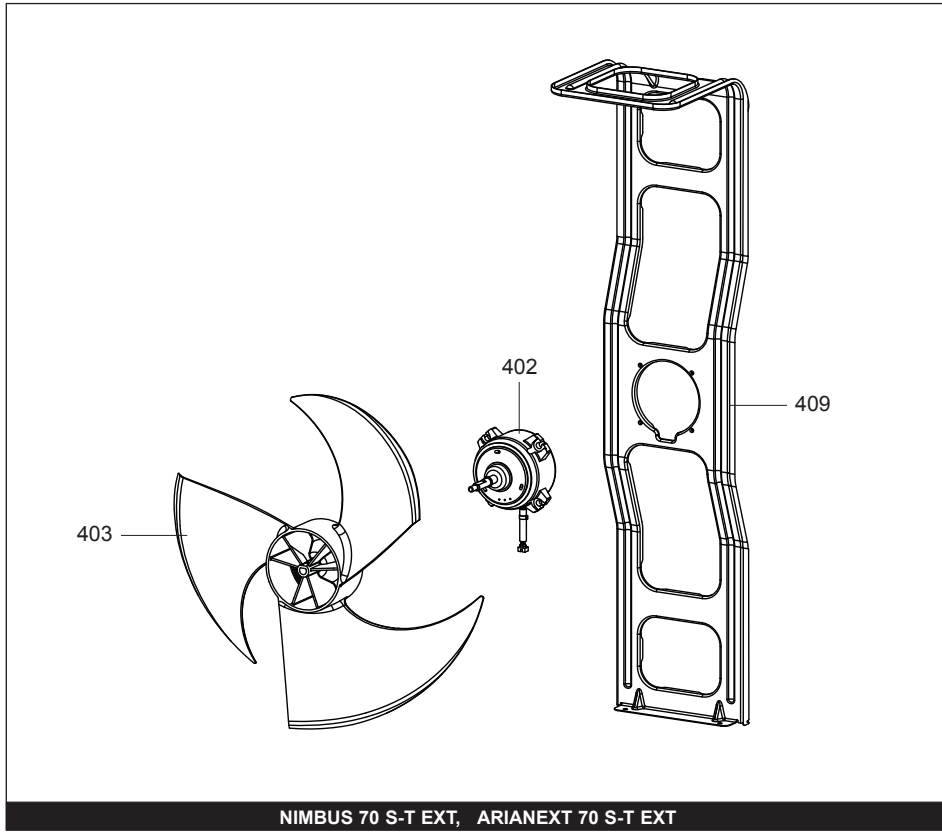
NIMBUS 70 S-T EXT , ARIANEXT 70 S-T EXT



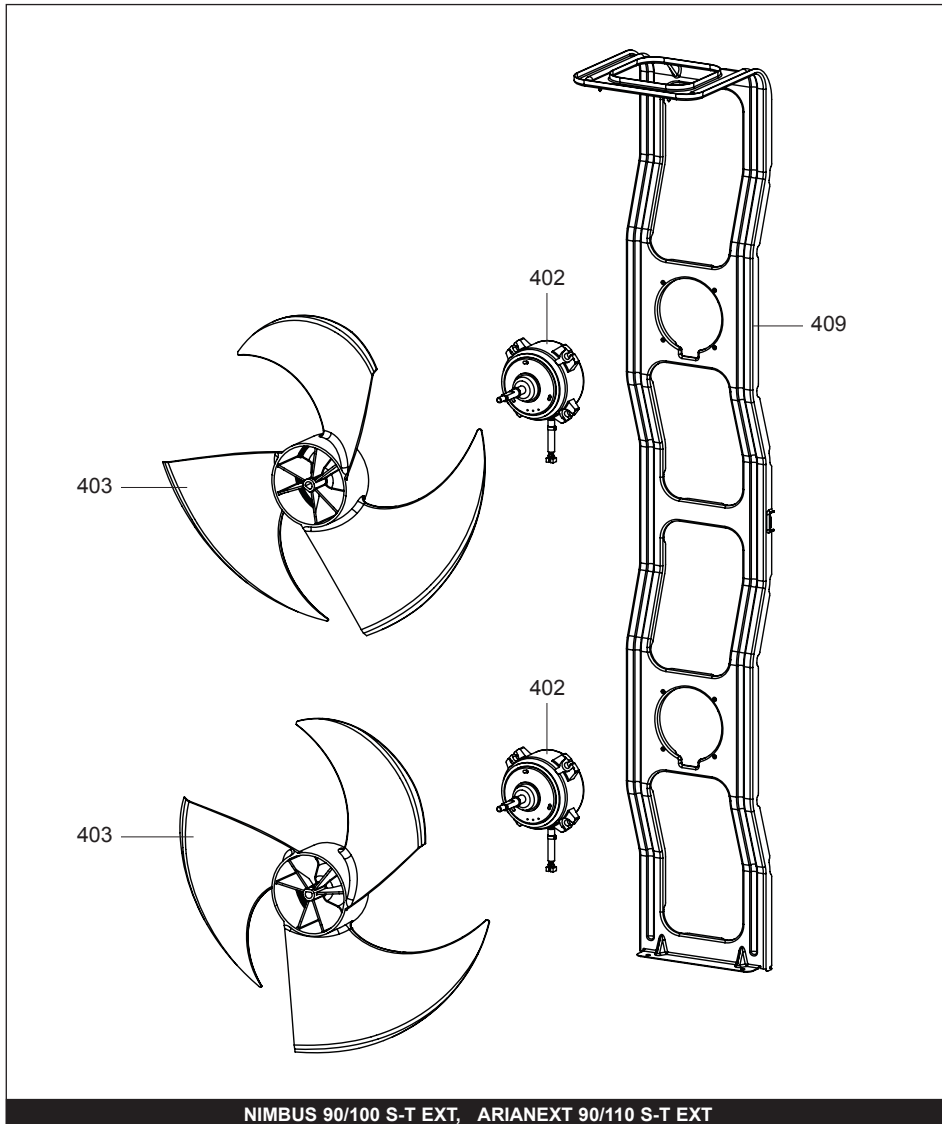
NIMBUS 90/110 S-T EXT , ARIANEXT 90/110 S-T EXT







NIMBUS 70 S-T EXT, ARIANEXT 70 S-T EXT



NIMBUS 90/100 S-T EXT, ARIANEXT 90/110 S-T EXT

LIST OF THE ABBREVIATIONS

HW	: Hot water.
CW	: Cold water.
C	: Ceramic resistance (normal heating).
Ca	: Ceramic resistance (accelerated heating)
TP	: Immersion heater.
1F	: With fittings.
2F	: Without fittings.
3F	: With fittings and another outlet connection.
AMI	: With mixing valve.
SMI	: Without mixing valve.
PUISS	: Power of th appliance.
PN	: Appliance with normal pression.
LP	: Appliance with low pression.
PV	: Appliance with variable power.
PF	: Appliance with fixed power.

The indications mentioned on the prices, commercial or technical literature and the scheme are written for your guidance and are available at a given time. The CONSTRUCTOR retains the power to modify the presentation, the form, the size, or the conception or the material of the products.
