

SPARE PARTS EXPLODED VIEW GAS-WALL BOILER ATM. BURNER

Model

INOA NOX

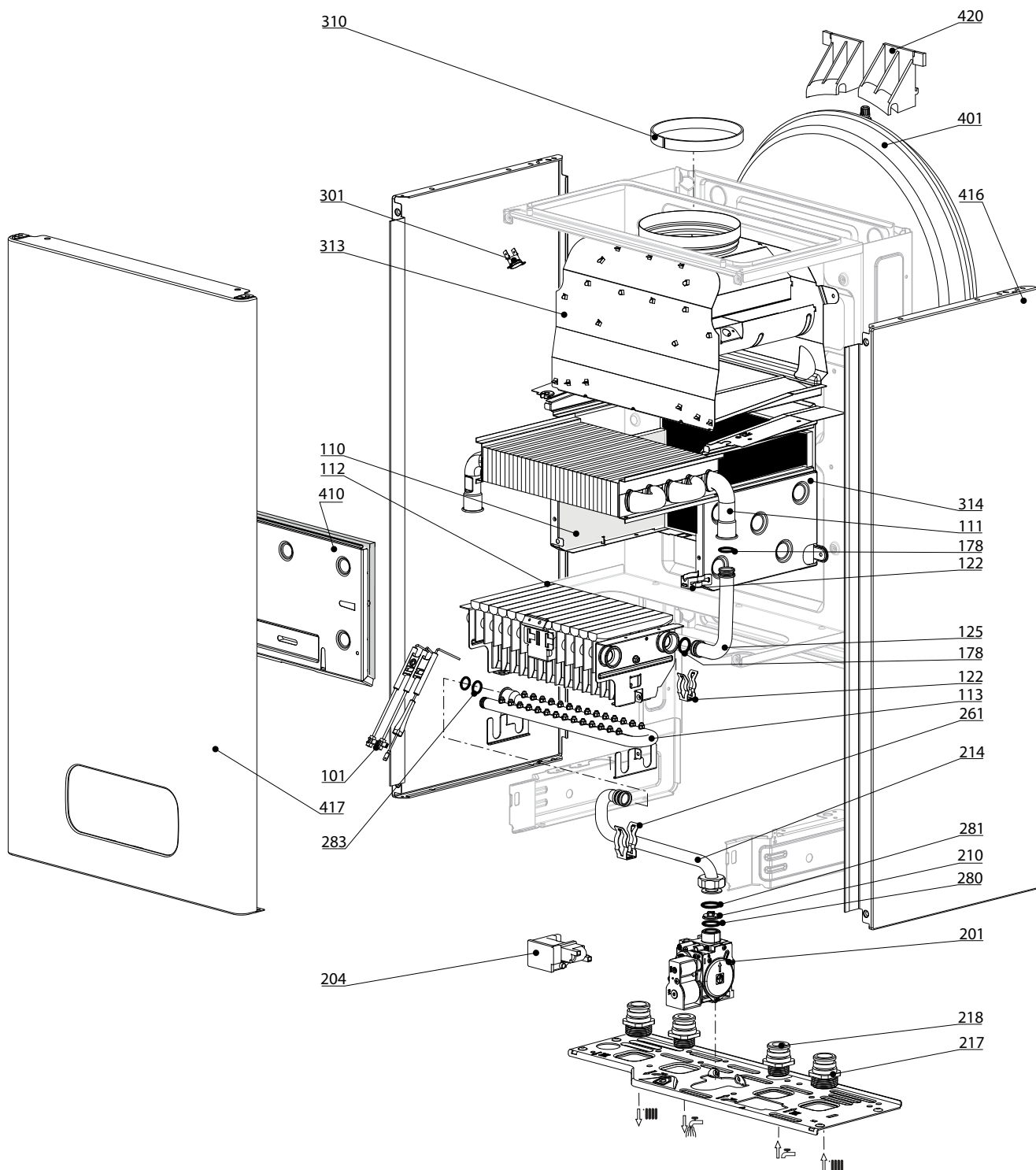
R8203520-04 - 18/01/2019

| 1 | 3310636 | INOA NOX 25 CF FR | 08-2018 | - |
|-----|-----------|-------------------------|---------|-----|
| 1 | 3310634 | INOA NOX SHUNT 25 CF FR | 08-2018 | - |
| 2 | 3310635 | INOA NOX 24 VMC FR | 08-2018 | - |
| Col | Reference | Model type | Begin | End |

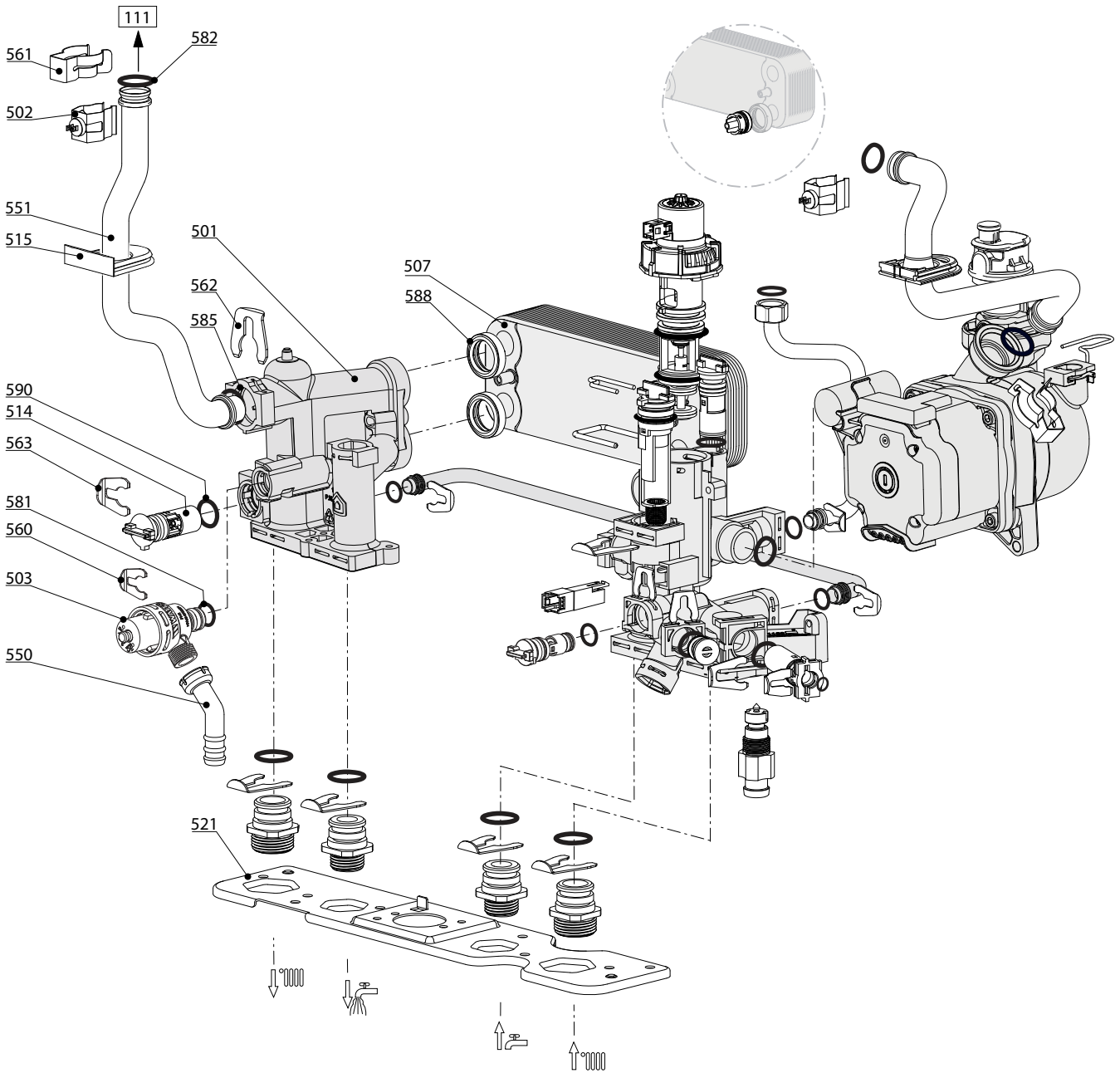
100
200
300
400

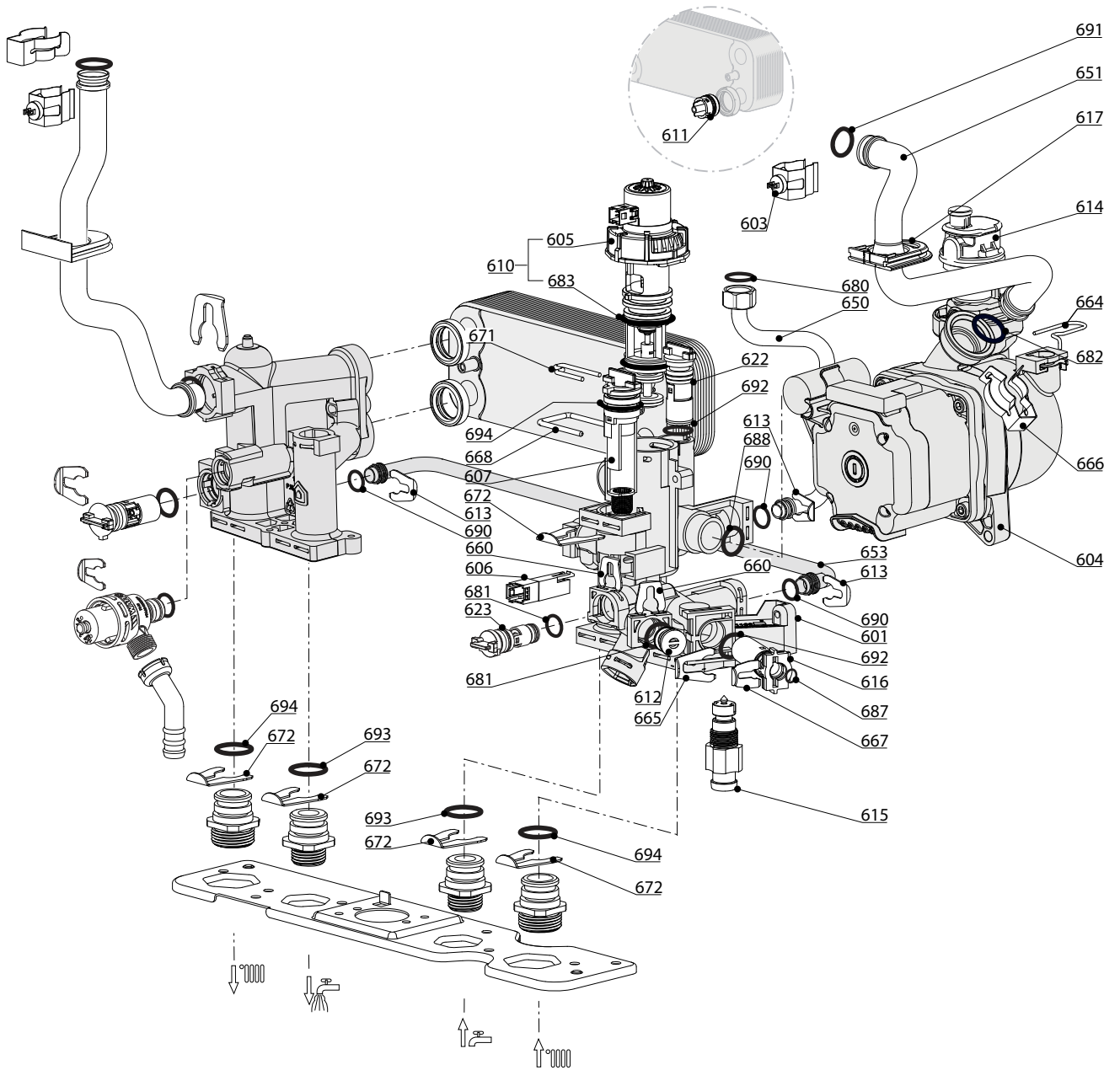
INOA NOX

Gas-wall boiler atm. burner



| ☺⇒ | Description | Manf. Pt. N | Type | INOX NOX CF INOX NOX VMC | | | | | | | | | | | | | | | | | | From | to |
|-----------------------------|----------------------------------|-------------|------|-----------------------------|---|---|---|---|---|---|---|---|----|----|----|----|----|----|----|----|----|------|----|
| | | | | 1 | 2 | 3 | 4 | 5 | 6 | 7 | 8 | 9 | 10 | 11 | 12 | 13 | 14 | 15 | 16 | 17 | 18 | | |
| 0100 BURNER ASSEMBLY | | | | | | | | | | | | | | | | | | | | | | | |
| 0101 | ELECTRODE (IGNITION/IONIZATION) | 65117626-01 | | ● | ● | | | | | | | | | | | | | | | | | | |
| 0110 | PANELS (KIT) | 65117633 | | ● | ● | | | | | | | | | | | | | | | | | | |
| 0111 | HEAT EXCHANGER | 65104247 | | ● | ● | | | | | | | | | | | | | | | | | | |
| 0112 | BURNER 14NP | 65117623 | | ● | ● | | | | | | | | | | | | | | | | | | |
| 0113 | GAS MANIFOLD 14 INJ. D:0.86 | 65117624 | G20 | ● | ● | | | | | | | | | | | | | | | | | | |
| 0122 | CLIP | 65116517 | | ● | ● | | | | | | | | | | | | | | | | | | |
| 0125 | PIPE | 65117625 | | ● | ● | | | | | | | | | | | | | | | | | | |
| 0178 | O-RING 17.86X2.62 | 61308091 | | ● | ● | | | | | | | | | | | | | | | | | | |
| 0200 GAS SECTION | | | | | | | | | | | | | | | | | | | | | | | |
| 0201 | GAS VALVE SIT 845 SIGMA | 65117618 | | ● | ● | | | | | | | | | | | | | | | | | | |
| 0204 | SPARK GENERATOR | 60001888 | | ● | ● | | | | | | | | | | | | | | | | | | |
| 0210 | RESTRICTOR D: 5.9 | 65117655 | | ● | ● | | | | | | | | | | | | | | | | | | |
| 0214 | GAS TUBE | 65117619 | | ● | ● | | | | | | | | | | | | | | | | | | |
| 0217 | UNION (3/4») | 65114929 | | ● | ● | | | | | | | | | | | | | | | | | | |
| 0218 | UNION (1/2») | 65114930 | | ● | ● | | | | | | | | | | | | | | | | | | |
| 0261 | CLIP | 65105109 | | ● | ● | | | | | | | | | | | | | | | | | | |
| 0280 | O-RING 14X2 | 60000903 | | ● | ● | | | | | | | | | | | | | | | | | | |
| 0281 | SHEET GASKET D: 24-18.2-1.5 | 60022835-01 | | ● | ● | | | | | | | | | | | | | | | | | | |
| 0283 | O-RING 21.89X2.62 | 65117642 | | ● | ● | | | | | | | | | | | | | | | | | | |
| 0300 FAN ASSEMBLY | | | | | | | | | | | | | | | | | | | | | | | |
| 0301 | OVERHEAT THERMOSTAT 49C | 61310767 | | | ● | | | | | | | | | | | | | | | | | | |
| | THERMOSTAT 75-65°C | 999539 | | ● | | | | | | | | | | | | | | | | | | | |
| 0310 | FLUE SPIGOT D: 125->130 | 65111183 | | ● | ● | | | | | | | | | | | | | | | | | | |
| 0313 | COMBUSTION CHAMBER 24 CF | 65117627 | | ● | | | | | | | | | | | | | | | | | | | |
| | COMBUSTION CHAMBER 24 VMC | 65117628 | | | ● | | | | | | | | | | | | | | | | | | |
| 0314 | COMBUSTION CHAMBER | 65117631 | | ● | ● | | | | | | | | | | | | | | | | | | |
| 0400 SEALED CASE | | | | | | | | | | | | | | | | | | | | | | | |
| 0401 | EXPANSION VESSEL 8L | 65104261 | | ● | ● | | | | | | | | | | | | | | | | | | |
| 0410 | PANEL (COMBUSTION CHAMBER) | 65117632 | | ● | ● | | | | | | | | | | | | | | | | | | |
| 0416 | SIDE PANELS LEFT + RIGHT - WHITE | 65115804 | | ● | ● | | | | | | | | | | | | | | | | | | |
| 0417 | CASE PANEL (FRONT) | 60002836-01 | | ● | ● | | | | | | | | | | | | | | | | | | |
| 0420 | EXPANSION VESSEL SUPPORT | 65104696 | | ● | ● | | | | | | | | | | | | | | | | | | |





INOA NOX CF
INOA NOX VMC

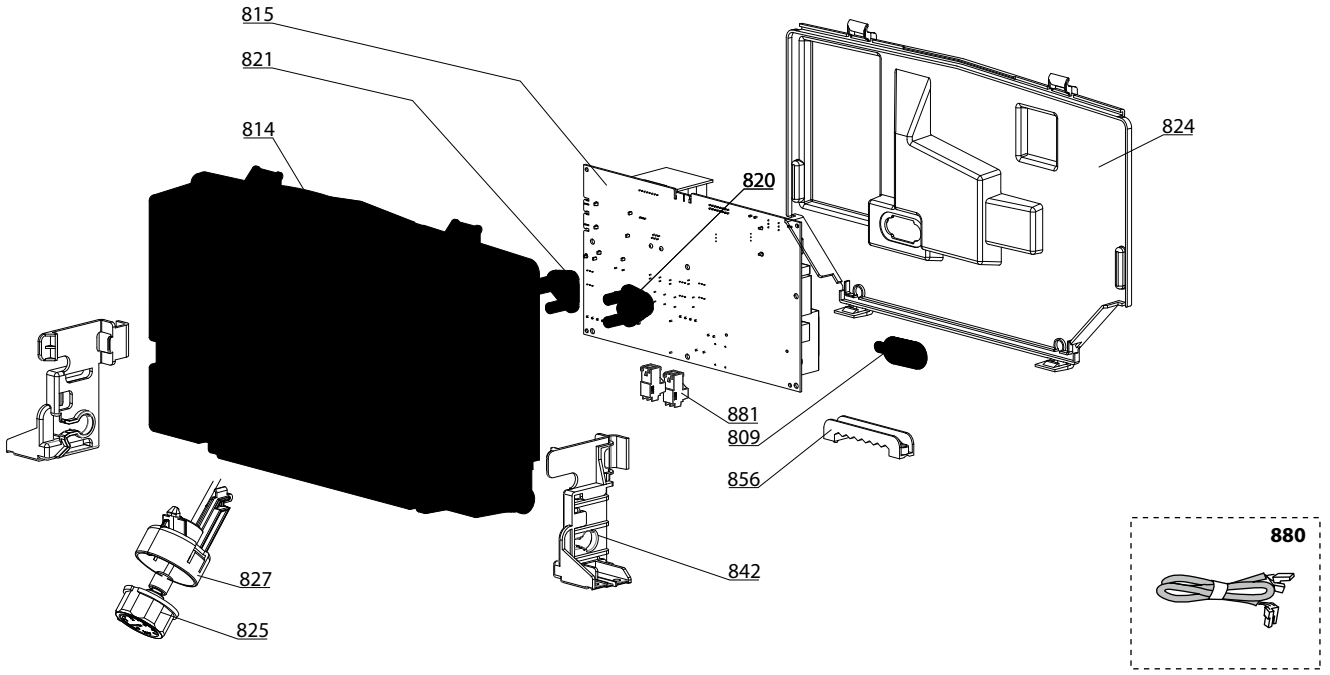
31

| | Description | Manf. Pt. N | Type | INOA NOX CF / INOA NOX VMC | | | | | | | | | | | | | | | | | | From | to |
|-------------|--------------------------------|-------------|-------|----------------------------|---|---|---|---|---|---|---|---|----|----|----|----|----|----|----|-------|-------|------|----|
| | | | | 1 | 2 | 3 | 4 | 5 | 6 | 7 | 8 | 9 | 10 | 11 | 12 | 13 | 14 | 15 | 16 | 17 | 18 | | |
| 0600 | RETURN GROUP | | | | | | | | | | | | | | | | | | | | | | |
| 0601 | RETURN GROUP | 65116833 | | ● | ● | | | | | | | | | | | | | | | | 05/18 | | |
| | RETURN GROUP | 65117954 | | ● | ● | | | | | | | | | | | | | | | 06/18 | | | |
| 0603 | TEMPERATURE PROBE + CLIP | 990686-01 | | ● | ● | | | | | | | | | | | | | | | | | | |
| 0604 | PUMP 5M PWM TACO | 65116908-01 | TACO | ● | ● | | | | | | | | | | | | | | | | | | |
| 0605 | MOTOR (3-WAY VALVE) | 65114936 | | ● | ● | | | | | | | | | | | | | | | | | | |
| 0606 | SENSOR (REED) | 65114921-01 | | ● | ● | | | | | | | | | | | | | | | | | | |
| 0607 | FLOW METER | 65114919 | | ● | ● | | | | | | | | | | | | | | | | | | |
| 0610 | MOTOR + SPRING 3 WAY VALVE KIT | 65114924 | | ● | ● | | | | | | | | | | | | | | | | | | |
| 0611 | RIDUCTORS (KIT) | 65116836 | | ● | ● | | | | | | | | | | | | | | | | | | |
| 0612 | PLUG | 65114920 | | ● | ● | | | | | | | | | | | | | | | | | | |
| 0613 | CLIP D10 | 65104260 | | ● | ● | | | | | | | | | | | | | | | | | | |
| 0614 | AUTO AIR VENT - PANASONIC | 65116392 | PANA. | ● | ● | | | | | | | | | | | | | | | | | | |
| | AUTO AIR VENT - TACO ENER+ | 65112086 | TACO | ● | ● | | | | | | | | | | | | | | | | | | |
| 0615 | DRAIN COCK | 65114922 | | ● | ● | | | | | | | | | | | | | | | | | | |
| 0616 | WATER FILTER | 65114923 | | ● | ● | | | | | | | | | | | | | | | | | | |
| 0617 | GROMMET | 60000808 | | ● | ● | | | | | | | | | | | | | | | | | | |
| 0622 | BY-PASS | 65114917 | | ● | ● | | | | | | | | | | | | | | | | | | |
| 0623 | NON-RETURN VALVE | 65114918 | | ● | ● | | | | | | | | | | | | | | | | | | |
| 0650 | PIPE (EXPANSION VESSEL) | 65115068 | | ● | ● | | | | | | | | | | | | | | | | | | |
| 0651 | PIPE (C.H. RETURN) | 65117621 | | ● | ● | | | | | | | | | | | | | | | | | | |
| 0653 | BY-PASS PIPE | 65116210 | | ● | ● | | | | | | | | | | | | | | | | 05/18 | | |
| 0660 | CLIP | 65114933 | | ● | ● | | | | | | | | | | | | | | | | | | |
| 0664 | CLIP | 65104322 | | ● | ● | | | | | | | | | | | | | | | | | | |
| 0665 | CLIP | 65114932 | | ● | ● | | | | | | | | | | | | | | | | | | |
| 0666 | CLIP | 60000309 | | ● | ● | | | | | | | | | | | | | | | | | | |
| 0667 | CLIP | 65100680 | | ● | ● | | | | | | | | | | | | | | | | | | |
| 0668 | CLIP | 65114927 | | ● | ● | | | | | | | | | | | | | | | | | | |
| 0671 | CLIP | 65114926 | | ● | ● | | | | | | | | | | | | | | | | | | |
| 0672 | CLIP | 65114931 | | ● | ● | | | | | | | | | | | | | | | | | | |
| 0680 | GASKET 3/8» | 573521 | | ● | ● | | | | | | | | | | | | | | | | | | |
| 0681 | O-RING 9.9X2.62 | 65114937 | | ● | ● | | | | | | | | | | | | | | | | | | |
| 0682 | O-RING 17.04X3.53 | 65104262 | | ● | ● | | | | | | | | | | | | | | | | | | |
| 0683 | O-RING 23.47X2.62 | 65114939 | | ● | ● | | | | | | | | | | | | | | | | | | |
| 0687 | O-RING 5.7X1.9 | 61009834-10 | | ● | ● | | | | | | | | | | | | | | | | | | |
| 0688 | O-RING 21.89X2.62 | 65104320 | | ● | ● | | | | | | | | | | | | | | | | | | |
| 0690 | O-RING 8.9X2.7 | 61009834-14 | | ● | ● | | | | | | | | | | | | | | | | | | |
| 0691 | O-RING 17.86X2.62 | 61308091 | | ● | ● | | | | | | | | | | | | | | | | | | |
| 0692 | O-RING 11.91X2.62 | 65114940 | | ● | ● | | | | | | | | | | | | | | | | | | |
| 0693 | O-RING 15,88X2.62 | 65114941 | | ● | ● | | | | | | | | | | | | | | | | | | |
| 0694 | O-RING 17.13X2.62 | 65114938 | | ● | ● | | | | | | | | | | | | | | | | | | |

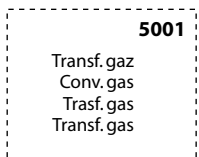
INOA NOX

Gas-wall boiler atm. burner

800



5000



LIST OF THE ABBREVIATIONS

| | |
|-------------|------------------------------------------------|
| HW | : Hot water. |
| CW | : Cold water. |
| C | : Ceramic resistance (normal heating). |
| Ca | : Ceramic resistance (accelerated heating) |
| TP | : Immersion heater. |
| 1F | : With fittings. |
| 2F | : Without fittings. |
| 3F | : With fittings and another outlet connection. |
| AMI | : With mixing valve. |
| SMI | : Without mixing valve. |
| PUISS | : Power of th appliance. |
| PN | : Appliance with normal pression. |
| LP | : Appliance with low pression. |
| PV | : Appliance with variable power. |
| PF | : Appliance with fixed power. |

IDENTIFICATION PLATE

SERIAL NUMBER

| | | |
|------------------------------------------------------------------------------------------|---------------------------|-----------------------------------|
| 10 Characters : | 04 05 125 011 | Sequential number |
| | | Manufacturing day |
| | | Year of manufacture |
| 11 Characters : | 1 95 065004 - 31 | Technical number of the appliance |
| Month of manufacture : from 1 to 9 → Jan. to Sep., O → Oct., N → Nov., D → Dec. | | Sequential number |
| | | Year of manufacture |
| 19 Characters : | 08 05 0013199 900640031 | Product reference |
| Year of manufacture | | Sequential number |
| Month of manufacture | | |
| 20 Characters : | 3675007 XX 2 07 070 00315 | Sequential number |
| Product reference | | Manufacturing day |
| Millenium of manufacture | | Year of manufacture |
| 21 Characters : | 3675007 XX 07 070 0000315 | Sequential number |
| Product reference | | Manufacturing day |
| Year of manufacture | | |