

# SPARE PARTS EXPLODED VIEW GAS WALL BOILERS

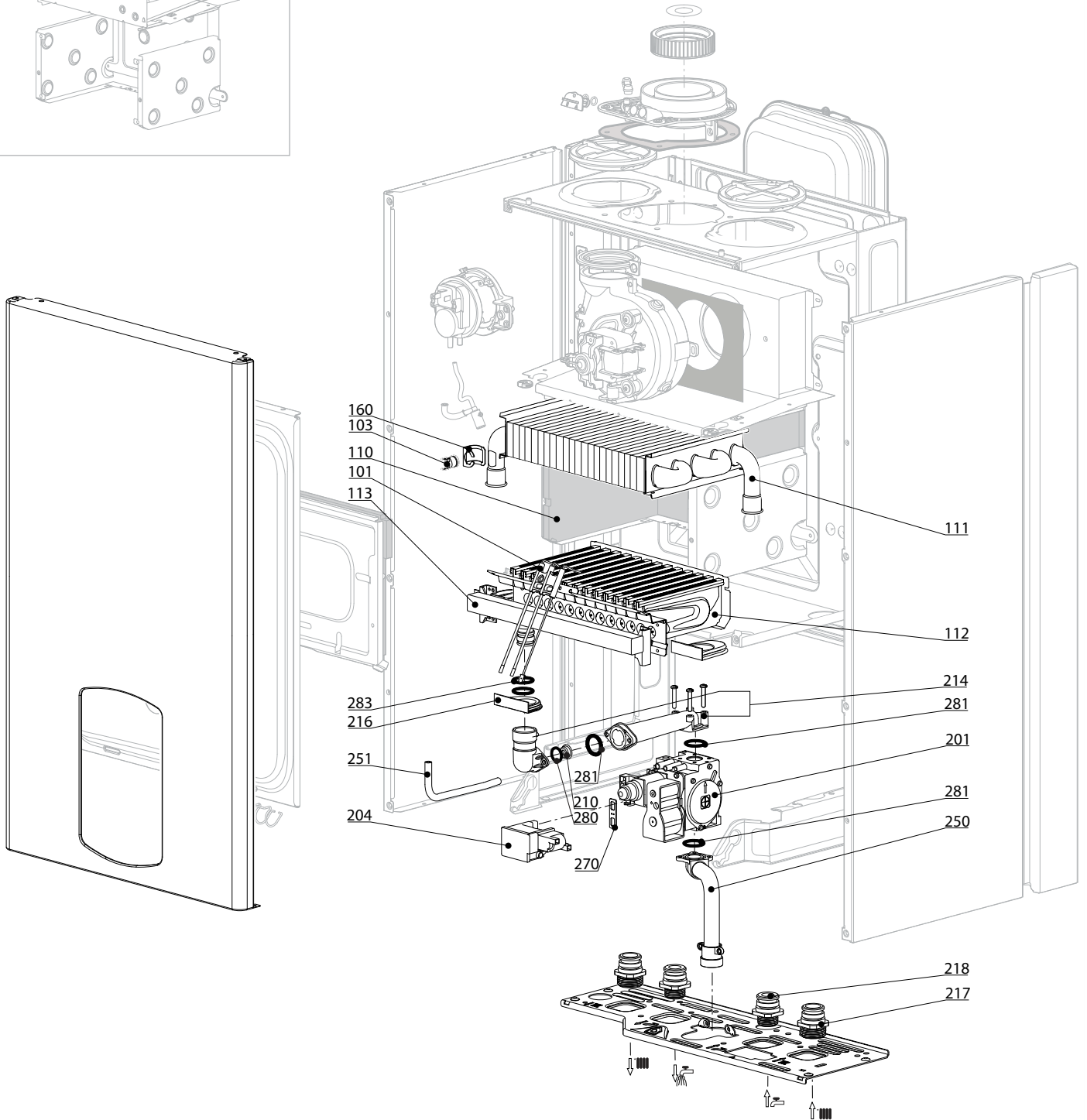
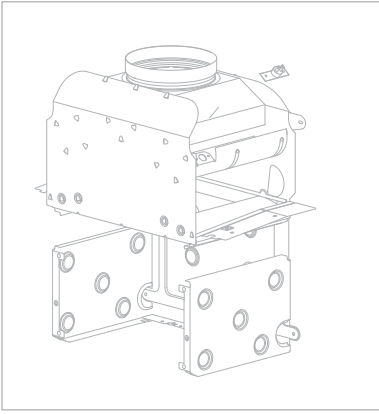
Model

## **URBIA - SERELIA**

R8203078-10 - 12/03/2012

|    |         |                      |       |       |
|----|---------|----------------------|-------|-------|
| 1  | 3650158 | URBIA 25 CF N FR     | 08/07 | 02/10 |
| 1  | 3310089 | URBIA 25 CF N FR     | 03/10 | ...   |
| 1  | 3650159 | URBIA 25 CF B/P FR   | 08/07 | ...   |
| 2  | 3650163 | URBIA 30 CF N FR     | 08/07 | 01/10 |
| 2  | 3310109 | URBIA 30 CF N FR     | 02/10 | ...   |
| 3  | 3650160 | URBIA 24 VMC N FR    | 08/07 | 02/10 |
| 3  | 3310082 | URBIA 24 VMC N FR    | 03/10 | ...   |
| 4  | 3650161 | URBIA 25 FF N FR     | 08/07 | 01/10 |
| 4  | 3310081 | URBIA 25 FF N FR     | 02/10 | ...   |
| 4  | 3650162 | URBIA 25 FF B/P FR   | 08/07 | ...   |
| 5  | 3650165 | URBIA 30 FF N FR     | 08/07 | 04/10 |
| 5  | 3310106 | URBIA 30 FF N FR     | 05/10 | ...   |
| 6  | 3650167 | URBIA 35 FF N FR     | 08/07 | ...   |
| 6  | 3310118 | URBIA 35 FF N FR     | ...   | ...   |
| 7  | 3650149 | SERELIA 25 CF N FR   | 09/07 | 01/10 |
| 7  | 3310096 | SERELIA 25 CF N FR   | 02/10 | ...   |
| 7  | 3650150 | SERELIA 25 CF B/P FR | 09/07 | ...   |
| 8  | 3650154 | SERELIA 30 CF N FR   | 09/07 | 05/10 |
| 8  | 3310115 | SERELIA 30 CF N FR   | 06/10 | ...   |
| 9  | 3650151 | SERELIA 24 VMC N FR  | 09/07 | 01/10 |
| 9  | 3310094 | SERELIA 24 VMC N FR  | 02/10 | ...   |
| 10 | 3650152 | SERELIA 25 FF N FR   | 09/07 | 06/10 |
| 10 | 3310095 | SERELIA 25 FF N FR   | 07/10 | ...   |
| 10 | 3650153 | SERELIA 25 FF B/P FR | 09/07 | ...   |
| 11 | 3650156 | SERELIA 30 FF N FR   | 09/07 | 06/10 |
| 11 | 3310117 | SERELIA 30 FF N FR   | 07/10 | ...   |
| 12 | 3650157 | SERELIA 35 FF N FR   | 09/07 | ...   |

| Col | Reference | Model type | Begin | End |
|-----|-----------|------------|-------|-----|
|-----|-----------|------------|-------|-----|

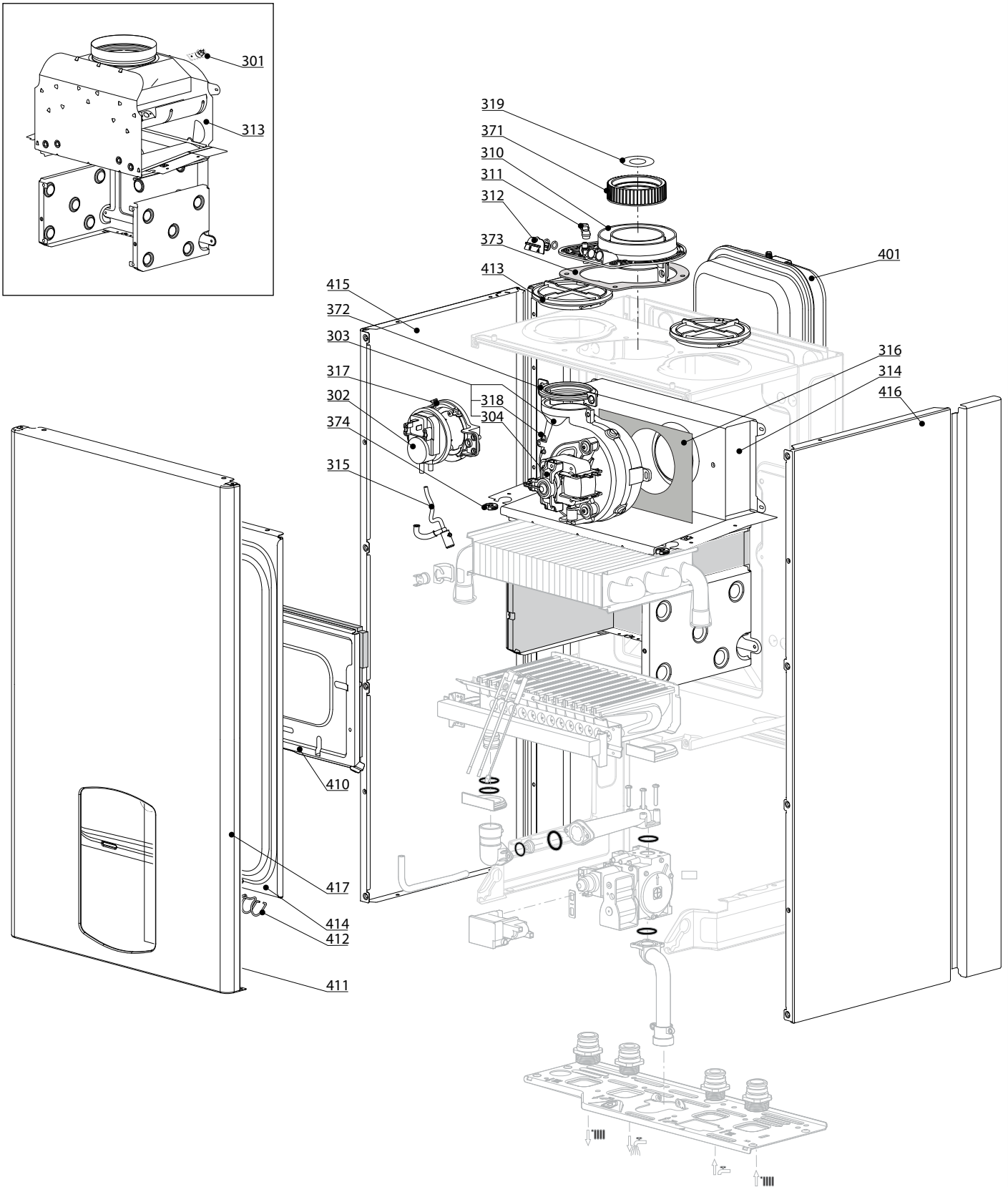


| ☰           | Description                    | Manf. Pt. N | Type | <div style="display: flex; justify-content: space-between; font-size: small;"> <span>URBIA 23 CF</span> <span>URBIA 30 CF</span> <span>URBIA 24 VMC</span> <span>URBIA 23 FF</span> <span>URBIA 30 FF</span> <span>SERELIA 23 FF</span> <span>SERELIA 23 CF</span> <span>SERELIA 30 CF</span> <span>SERELIA 24 VMC</span> <span>SERELIA 23 FF</span> <span>SERELIA 30 FF</span> </div> |   |   |   |   |   |   |   |   |    |    |    |    |    |    |       |    |    | 31 |
|-------------|--------------------------------|-------------|------|--|---|---|---|---|---|---|---|---|----|----|----|----|----|----|-------|----|----|----|
|             |                                |             |      | 1  | 2 | 3 | 4 | 5 | 6 | 7 | 8 | 9 | 10 | 11 | 12 | 13 | 14 | 15 | 16    | 17 | 18 |    |
| <b>0100</b> | <b>BURNER ASSEMBLY</b>         |             |      |  |   |   |   |   |   |   |   |   |    |    |    |    |    |    |       |    |    |    |
| 0101        | ELECTRODE (IGNITION/DETECTION) | 65104549    |      | •  | • | • | • | • | • | • | • | • | •  | •  | •  |    |    |    |       |    |    |    |
| 0103        | THERMOSTAT 102°                | 65104500    |      | •  | • | • | • | • | • | • | • | • | •  | •  | •  |    |    |    |       |    |    |    |
| 0110        | PANELS (KIT)                   | 65104695    |      |  |   |   | • |   |   |   |   | • |    |    |    |    |    |    | 02/08 |    |    |    |
|             | PANELS (KIT)                   | 65104695    |      | •  |   | • |   |   | • |   | • |   | •  |    |    |    |    |    |       |    |    |    |
|             | PANELS (KIT)                   | 65105029    |      |  | • |   |   |   | • |   |   |   | •  |    |    |    |    |    |       |    |    |    |
|             | PANELS (KIT)                   | 65106298    |      |  |   |   | • |   |   |   |   | • |    |    |    |    |    |    | 03/08 |    |    |    |
| 0111        | MAIN EXCHANGER                 | 65104246    |      |  |   |   | • |   |   |   |   | • |    |    |    |    |    |    | 02/08 |    |    |    |
|             | MAIN EXCHANGER                 | 65104246    |      |  |   |   | • |   |   |   |   | • |    |    |    |    |    |    |       |    |    |    |
|             | MAIN EXCHANGER                 | 65104247    |      | •  |   | • |   |   |   | • |   | • |    |    |    |    |    |    |       |    |    |    |
|             | MAIN EXCHANGER                 | 65105030    |      |  | • |   |   |   |   | • |   |   |    |    |    |    |    |    |       |    |    |    |
|             | MAIN EXCHANGER                 | 65105041    |      |  |   |   |   | • |   |   |   |   |    |    |    | •  |    |    |       |    |    |    |
|             | MAIN EXCHANGER                 | 65106297    |      |  |   |   | • |   |   |   |   | • |    |    |    |    |    |    | 03/08 |    |    |    |
| 0112        | BURNER 16NP                    | 60001596    |      |  |   |   |   |   | • |   |   |   | •  |    |    |    |    |    | 01/11 |    |    |    |
|             | BURNER 13NP                    | 65104220    |      |  |   |   | • |   |   |   |   | • |    |    |    |    |    |    | 02/08 |    |    |    |
|             | BURNER 13NP                    | 65104220    |      | •  |   | • |   |   | • |   | • |   | •  |    |    |    |    |    |       |    |    |    |
|             | BURNER 15NP                    | 65105027    |      |  |   |   |   |   | • |   |   |   |    |    |    |    | •  |    | 02/08 |    |    |    |
|             | BURNER 15NP                    | 65105027    |      |  | • |   |   |   |   | • |   |   |    |    |    |    |    |    |       |    |    |    |
|             | BURNER 11NP                    | 65106294    |      |  |   |   | • |   |   |   |   | • |    |    |    |    |    |    | 03/08 |    |    |    |
|             | BURNER 16NP                    | 65106431    |      |  |   |   |   |   | • |   |   |   |    |    |    | •  |    |    | 03/08 |    |    |    |
| 0113        | GAS MANIFOLD 13 INJ. D:0.76    | 65104223    | LPG  |  |   |   | • |   |   |   |   | • |    |    |    |    |    |    | 02/08 |    |    |    |
|             | GAS MANIFOLD 13 INJ. D:0.76    | 65104223    | LPG  | •  |   |   |   |   |   | • |   |   |    |    |    |    |    |    |       |    |    |    |
|             | GAS MANIFOLD 11 INJ. D:0.80    | 65106605    | LPG  |  |   |   | • |   |   |   |   | • |    |    |    |    |    |    | 03/08 |    |    |    |
|             | GAS MANIFOLD 16 INJ. D:1.32    | 60001597    | NAT  |  |   |   |   |   | • |   |   |   |    |    |    | •  |    |    | 01/11 |    |    |    |
|             | GAS MANIFOLD 13 INJ. D:1.32    | 65104226    | NAT  |  |   |   |   | • |   |   |   |   |    |    |    | •  |    |    |       |    |    |    |
|             | GAS MANIFOLD 13 INJ. D:1.25    | 65104302    | NAT  |  |   |   | • |   |   |   |   |   | •  |    |    |    |    |    | 02/08 |    |    |    |
|             | GAS MANIFOLD 13 INJ. D:1.25    | 65104302    | NAT  | •  |   | • |   |   |   | • |   | • |    |    |    |    |    |    |       |    |    |    |
|             | GAS MANIFOLD 15 INJ. D:1.25    | 65105026    | NAT  |  | • |   |   |   |   |   | • |   |    |    |    |    |    |    |       |    |    |    |
|             | GAS MANIFOLD 15 INJ. D:1.32    | 65105037    | NAT  |  |   |   |   |   |   | • |   |   |    |    |    |    | •  |    | 02/08 |    |    |    |
|             | GAS MANIFOLD 16 INJ. D:1.32    | 65105997    | NAT  |  |   |   |   |   |   | • |   |   |    |    |    |    | •  |    | 12/10 |    |    |    |
|             | GAS MANIFOLD 11 INJ. D:1.32    | 65106302    | NAT  |  |   |   | • |   |   |   |   | • |    |    |    |    |    |    | 03/08 |    |    |    |
| 0160        | CLIP                           | 61010050    |      | •  | • | • | • | • | • | • | • | • | •  | •  | •  | •  | •  | •  |       |    |    |    |
| <b>0200</b> | <b>GAS SECTION</b>             |             |      |  |   |   |   |   |   |   |   |   |    |    |    |    |    |    |       |    |    |    |
| 0201        | GAS VALVE                      | 65104254    |      | •  | • | • | • | • | • | • | • | • | •  | •  | •  | •  | •  | •  |       |    |    |    |
| 0204        | SPARK GENERATOR                | 65104653    |      | •  | • | • | • | • | • | • | • | • | •  | •  | •  | •  | •  | •  |       |    |    |    |
| 0210        | RESTRICTOR D: 6.3              | 60000018    | NAT  |  |   |   | • |   |   |   |   |   | •  |    |    |    |    |    | 02/08 |    |    |    |
|             | RESTRICTOR D: 6.3              | 60000018    | NAT  | •  |   | • |   |   |   | • |   | • |    |    |    |    |    |    |       |    |    |    |
|             | RESTRICTOR D: 5.7              | 60000498    | NAT  |  |   |   | • |   |   |   |   | • |    |    |    |    |    |    | 03/08 |    |    |    |
|             | RESTRICTOR D: 6.5              | 60000821    | NAT  |  | • |   |   |   |   |   | • |   |    |    |    |    |    |    |       |    |    |    |
|             | RESTRICTOR D: 7                | 65105152    | NAT  |  |   |   |   | • |   |   |   |   | •  |    |    |    |    |    |       |    |    |    |
|             | RESTRICTOR D: 6.9              | 65105154    | NAT  |  |   |   |   |   | • |   |   |   |    |    |    | •  |    |    |       |    |    |    |
| 0214        | PIPE (GAS VALVE/BURNER)        | 65104230    |      | •  | • | • | • | • | • | • | • | • | •  | •  | •  | •  | •  | •  |       |    |    |    |
| 0216        | GROMMET                        | 60000624    |      | •  | • | • | • | • | • | • | • | • | •  | •  | •  | •  | •  | •  |       |    |    |    |
| 0217        | UNION (3/4)                    | 65104326    |      | •  | • | • | • | • | • | • | • | • | •  | •  | •  | •  | •  | •  |       |    |    |    |
| 0218        | UNION (1/2)                    | 65104327    |      | •  | • | • | • | • | • | • | • | • | •  | •  | •  | •  | •  | •  |       |    |    |    |
| 0250        | GAS TUBE                       | 60000720    |      | •  | • | • | • | • | • | • | • | • | •  | •  | •  | •  | •  | •  |       |    |    |    |
| 0251        | EPDM PIPE                      | 65104296    |      |  |   |   | • | • | • |   |   |   | •  | •  | •  |    |    |    |       |    |    |    |
| 0270        | GASKET (SPARK GENERATOR)       | 574279      |      | •  | • | • | • | • | • | • | • | • | •  | •  | •  | •  | •  | •  |       |    |    |    |
| 0280        | O-RING D: 14-2.00              | 60000903    | NAT  | •  | • | • | • | • | • | • | • | • | •  | •  | •  | •  | •  | •  |       |    |    |    |
| 0281        | O-RING 22,22X2,62              | 65104304    |      | •  | • | • | • | • | • | • | • | • | •  | •  | •  | •  | •  | •  |       |    |    |    |
| 0283        | O-RING 17,17X1,78              | 65104303    |      | •  | • | • | • | • | • | • | • | • | •  | •  | •  | •  | •  | •  |       |    |    |    |

300  
400

URBIA - SERELIA

Domestic Gas Boilers



| ☉⇒          | Description                      | Manf. Pt. N | Type | <div style="display: flex; justify-content: space-between; font-size: small;"> <span>URBIA 23 CF</span><span>URBIA 30 CF</span><span>URBIA 24 VMC</span><span>URBIA 23 FF</span><span>URBIA 30 FF</span><span>SERELIA 23 CF</span><span>SERELIA 30 CF</span><span>SERELIA 24 VMC</span><span>SERELIA 23 FF</span><span>SERELIA 30 FF</span> </div> |   |   |   |   |   |   |   |   |    |    |    |    |    |    |    |       |    | 31 |
|-------------|----------------------------------|-------------|------|--|---|---|---|---|---|---|---|---|----|----|----|----|----|----|----|-------|----|----|
|             |                                  |             |      | 1  | 2 | 3 | 4 | 5 | 6 | 7 | 8 | 9 | 10 | 11 | 12 | 13 | 14 | 15 | 16 | 17    | 18 |    |
| <b>0300</b> | <b>FAN ASSEMBLY</b>              |             |      |  |   |   |   |   |   |   |   |   |    |    |    |    |    |    |    |       |    |    |
| 0301        | OVERHEAT THERMOSTAT 49C          | 61310767    |      |  |   | • |   |   |   |   | • |   |    |    |    |    |    |    |    |       |    |    |
|             | THERMOSTAT 75-65°C               | 999539      |      | •  | • |   |   |   |   | • | • |   |    |    |    |    |    |    |    |       |    |    |
| 0302        | AIR PRESSURE SWITCH 50 Pa        | 65104671-01 |      |  |   |   | • |   |   |   |   | • |    |    |    |    |    |    |    |       |    |    |
|             | AIR PRESSURE SWITCH 74 Pa        | 65104672-01 |      |  |   |   |   | • | • |   |   |   | •  | •  |    |    |    |    |    |       |    |    |
| 0303        | FAN                              | 65104231    |      |  |   |   | • |   |   |   |   |   | •  |    |    |    |    |    |    |       |    |    |
|             | FAN                              | 65104255    |      |  |   |   | • |   |   |   |   |   | •  |    |    |    |    |    |    |       |    |    |
|             | FAN                              | 65105042    |      |  |   |   |   |   | • |   |   |   |    |    |    |    |    | •  |    |       |    |    |
| 0304        | HALL SENSOR 28/30/35 FF          | 65108255    |      |  |   |   |   | • | • |   |   |   |    |    |    |    |    | •  | •  |       |    |    |
|             | HALL SENSOR 15/24/25 FF          | 65108301    |      |  |   |   | • |   |   |   |   |   |    | •  |    |    |    |    |    |       |    |    |
| 0310        | FLUE (EXHAUST MANIFOLD / HEADER) | 65105393    |      |  |   |   | • | • | • |   |   |   |    | •  | •  | •  |    |    |    |       |    |    |
| 0311        | AIR INTAKE COVER                 | 573329      |      |  |   |   | • | • | • |   |   |   |    | •  | •  | •  |    |    |    |       |    |    |
| 0312        | FLUE INTAKE PLUG                 | 65104295    |      |  |   |   | • | • | • |   |   |   |    | •  | •  | •  |    |    |    |       |    |    |
| 0313        | COMBUSTION CHAMBER 24CF          | 65104218    |      | •  |   | • |   |   |   |   | • |   | •  |    |    |    |    |    |    |       |    |    |
|             | COMBUSTION CHAMBER 28CF          | 65105028    |      |  | • |   |   |   |   |   | • |   |    |    |    |    |    |    |    |       |    |    |
| 0314        | COMBUSTION CHAMBER 24/28 FF      | 65104219    |      |  |   |   | • |   |   |   |   |   |    | •  |    |    |    |    |    | 02/08 |    |    |
|             | COMBUSTION CHAMBER 24/28 FF      | 65104219    |      |  |   |   |   | • |   |   |   |   |    |    | •  |    |    |    |    |       |    |    |
|             | COMBUSTION CHAMBER 35FF          | 65105040    |      |  |   |   |   |   | • |   |   |   |    |    |    |    |    | •  |    |       |    |    |
|             | COMBUSTION CHAMBER 24/28 FF      | 65106295    |      |  |   |   | • |   |   |   |   |   |    | •  |    |    |    |    |    | 03/08 |    |    |
| 0315        | CONDENSATE TRAP                  | 65104623    |      |  |   |   | • | • | • |   |   |   |    | •  | •  | •  |    |    |    |       |    |    |
| 0316        | PANEL (INSULATION - FAN)         | 65104305    |      |  |   |   | • | • | • |   |   |   |    | •  | •  | •  |    |    |    |       |    |    |
| 0317        | SUPPORT (AIR PRESSURE SWITCH)    | 65104378    |      |  |   |   | • | • | • |   |   |   |    | •  | •  | •  |    |    |    |       |    |    |
| 0318        | VENTURI 28/30FF                  | 65106515    |      |  |   |   |   | • |   |   |   |   |    |    | •  |    |    |    |    |       |    |    |
|             | VENTURI 15/24FF                  | 65106516    |      |  |   |   | • |   |   |   |   |   |    |    | •  |    |    |    |    |       |    |    |
|             | VENTURI 32/35FF                  | 65106517    |      |  |   |   |   |   |   | • |   |   |    |    |    |    |    | •  |    |       |    |    |
| 0319        | RESTRICTOR KIT                   | 60001598    |      |  |   |   | • | • | • |   |   |   |    | •  | •  | •  |    |    |    |       |    |    |
| 0371        | COLLAR GASKET                    | 65104258    |      |  |   |   | • | • | • |   |   |   |    | •  | •  | •  |    |    |    |       |    |    |
| 0372        | FAN GASKET                       | 65104257    |      |  |   |   | • | • | • |   |   |   |    | •  | •  | •  |    |    |    |       |    |    |
| 0373        | GASKET                           | 60000317    |      |  |   |   | • | • | • |   |   |   |    | •  | •  | •  |    |    |    |       |    |    |
| 0374        | CABLE INLET RUBBER WASHER        | 60000716    |      | •  | • | • | • | • | • | • | • | • | •  | •  | •  | •  | •  | •  | •  |       |    |    |
| <b>0400</b> | <b>SEALED CASE</b>               |             |      |  |   |   |   |   |   |   |   |   |    |    |    |    |    |    |    |       |    |    |
| 0401        | EXPANSION VESSEL 7.5L            | 60000823    |      | •  | • | • | • | • | • | • | • | • | •  | •  | •  | •  | •  | •  | •  |       |    |    |
| 0410        | PANEL (COMBUSTION CHAMBER)       | 65104240    |      |  |   |   | • |   |   |   |   |   |    | •  |    |    |    |    |    | 02/08 |    |    |
|             | PANEL (COMBUSTION CHAMBER)       | 65104240    |      | •  |   | • |   |   | • |   | • |   |    |    | •  |    |    |    |    |       |    |    |
|             | PANEL (COMBUSTION CHAMBER)       | 65105033    |      |  | • |   |   |   |   | • |   |   |    |    |    |    |    | •  |    |       |    |    |
|             | PANEL (COMBUSTION CHAMBER)       | 65106296    |      |  |   |   | • |   |   |   |   |   |    |    | •  |    |    |    |    | 03/08 |    |    |
| 0411        | SIGHT GLASS                      | 65104232    |      |  |   |   | • | • | • |   |   |   |    | •  | •  | •  |    |    |    |       |    |    |
| 0412        | SPRING FRONT PANEL (KIT)         | 65104298    |      |  |   |   | • | • | • |   |   |   |    | •  | •  | •  |    |    |    |       |    |    |
| 0413        | AIR RETURN COVER                 | 65104249    |      |  |   |   | • | • | • |   |   |   |    | •  | •  | •  |    |    |    |       |    |    |
| 0414        | PANEL (FRONT - SEALED CHAMBER)   | 65105679    |      |  |   |   | • | • | • |   |   |   |    | •  | •  | •  |    |    |    |       |    |    |
| 0415        | CASE PANEL (L.H. SIDE)           | 65105676    |      | •  | • | • | • | • | • | • | • | • | •  | •  | •  | •  | •  | •  | •  |       |    |    |
| 0416        | CASE PANEL (R.H. SIDE)           | 65105677    |      | •  | • | • | • | • | • | • | • | • | •  | •  | •  | •  | •  | •  | •  |       |    |    |
| 0417        | CASE PANEL (FRONT)               | 60000719    |      | •  | • | • | • | • | • | • | • | • | •  | •  | •  | •  | •  | •  | •  |       |    |    |
| 0420        | EXPANSION VESSEL SUPPORT         | 65104696    |      | •  | • | • | • | • | • | • | • | • | •  | •  | •  | •  | •  | •  | •  |       |    |    |



| ☉⇒          | Description                     | Manf. Pt. N | Type | <div style="display: flex; justify-content: space-between; font-size: small; text-align: center;"> <span>URBIA 23 CF</span><span>URBIA 30 CF</span><span>URBIA 24 VMC</span><span>URBIA 23 FF</span><span>URBIA 30 FF</span><span>SERELIA 35 FF</span><span>SERELIA 23 CF</span><span>SERELIA 30 CF</span><span>SERELIA 24 VMC</span><span>SERELIA 23 FF</span><span>SERELIA 30 FF</span> </div> |   |   |   |   |   |   |   |   |    |    |    |    |    |    |    |    |    | 31 |
|-------------|---------------------------------|-------------|------|--|---|---|---|---|---|---|---|---|----|----|----|----|----|----|----|----|----|----|
|             |                                 |             |      | 1  | 2 | 3 | 4 | 5 | 6 | 7 | 8 | 9 | 10 | 11 | 12 | 13 | 14 | 15 | 16 | 17 | 18 |    |
| <b>0500</b> | <b>FLOW GROUP</b>               |             |      |  |   |   |   |   |   |   |   |   |    |    |    |    |    |    |    |    |    |    |
| 0501        | FLOW GROUP                      | 60000873    |      | •  | • | • | • | • | • | • | • | • | •  | •  | •  | •  | •  | •  | •  |    |    |    |
| 0502        | TEMPERATURE PROBE + CLIP        | 990686      |      | •  | • | • | • | • | • | • | • | • | •  | •  | •  | •  | •  | •  | •  |    |    |    |
| 0503        | PRESSURE RELIEF VALVE 3 BAR     | 61312668    |      | •  | • | • | • | • | • | • | • | • | •  | •  | •  | •  | •  | •  | •  |    |    |    |
| 0504        | NTC PROBE                       | 65104338    |      | •  | • | • | • | • | • | • | • | • | •  | •  | •  | •  | •  | •  | •  |    |    |    |
| 0506        | NTC PROBE                       | 60000822    |      | •  | • | • | • | • | • | • | • | • | •  | •  | •  | •  | •  | •  | •  |    |    |    |
| 0507        | WATER / WATER HEAT EXCHANGER 16 | 65104333    |      | •  | • | • | • | • | • | • | • | • | •  | •  | •  | •  | •  | •  | •  |    |    |    |
| 0512        | PLUG                            | 65104445    |      | •  | • | • | • | • | • | • | • | • | •  | •  | •  | •  | •  | •  | •  |    |    |    |
| 0514        | BY-PASS                         | 65104336    |      | •  | • | • | • | • | • | • | • | • | •  | •  | •  | •  | •  | •  | •  |    |    |    |
| 0515        | GROMMET                         | 60000808    |      | •  | • | • | • | • | • | • | • | • | •  | •  | •  | •  | •  | •  | •  |    |    |    |
| 0517        | PLUG 3/4»                       | 60000996    |      | •  | • | • | • | • | • | • | • | • | •  | •  | •  | •  | •  | •  | •  |    |    |    |
| 0518        | CYLINDER 4L                     | 60000831    |      | •  | • | • | • | • | • | • | • | • | •  | •  | •  | •  | •  | •  | •  |    |    |    |
|             | CYLINDER 15L                    | 60000832    |      |  |   |   |   |   | • | • | • | • | •  | •  | •  | •  | •  | •  |    |    |    |    |
| 0521        | HYDRAULIC GROUP SUPPORT         | 60001375    |      | •  | • | • | • | • | • | • | • | • | •  | •  | •  | •  | •  | •  | •  |    |    |    |
| 0550        | PIPE (SAFETY VALVE)             | 65104447    |      | •  | • | • | • | • | • | • | • | • | •  | •  | •  | •  | •  | •  | •  |    |    |    |
| 0551        | HEATING FLOW TUBE               | 60000722    |      |  |   |   | • |   |   |   |   | • |    |    |    |    |    |    |    |    |    |    |
|             | HEATING FLOW TUBE               | 60000722    |      | •  |   | • |   | • |   | • |   | • |    |    |    |    |    |    |    |    |    |    |
|             | HEATING FLOW TUBE               | 60000989    |      |  | • |   |   | • |   | • |   | • |    |    |    |    |    |    |    |    |    |    |
|             | HEATING FLOW TUBE               | 60001131    |      |  |   |   | • |   |   |   |   | • |    |    |    |    |    |    |    |    |    |    |
| 0552        | BY-PASS PIPE                    | 65104340    |      | •  | • | • | • | • | • | • | • | • | •  | •  | •  | •  | •  | •  | •  |    |    |    |
| 0553        | HEATING TUBE                    | 60000846    |      | •  | • | • | • | • | • | • | • | • | •  | •  | •  | •  | •  | •  | •  |    |    |    |
|             | HEATING TUBE                    | 60000853    |      |  |   |   |   |   |   | • | • | • | •  | •  | •  | •  | •  | •  | •  |    |    |    |
| 0554        | HEATING TUBE                    | 60000847    |      | •  | • | • | • | • | • | • | • | • | •  | •  | •  | •  | •  | •  | •  |    |    |    |
| 0555        | INLET PIPE                      | 60000854    |      | •  | • | • | • | • | • | • | • | • | •  | •  | •  | •  | •  | •  | •  |    |    |    |
| 0556        | PIPE (SECONDARY RETURN)         | 60000849    |      | •  | • | • | • | • | • | • | • | • | •  | •  | •  | •  | •  | •  | •  |    |    |    |
|             | PIPE (SECONDARY RETURN)         | 60000855    |      |  |   |   |   |   |   | • | • | • | •  | •  | •  | •  | •  | •  | •  |    |    |    |
| 0560        | CLIP D:10                       | 65104260    |      | •  | • | • | • | • | • | • | • | • | •  | •  | •  | •  | •  | •  | •  |    |    |    |
| 0561        | CLIP                            | 61307589    |      | •  | • | • | • | • | • | • | • | • | •  | •  | •  | •  | •  | •  | •  |    |    |    |
| 0562        | CLIP D=18                       | 65104259    |      | •  | • | • | • | • | • | • | • | • | •  | •  | •  | •  | •  | •  | •  |    |    |    |
| 0563        | CLIP                            | 65104339    |      | •  | • | • | • | • | • | • | • | • | •  | •  | •  | •  | •  | •  | •  |    |    |    |
| 0565        | CLIP                            | 60000309    |      | •  | • | • | • | • | • | • | • | • | •  | •  | •  | •  | •  | •  | •  |    |    |    |
| 0566        | CLIP                            | 65105109    |      | •  | • | • | • | • | • | • | • | • | •  | •  | •  | •  | •  | •  | •  |    |    |    |
| 0580        | SHEET GASKET D: 13.9-10.4-1.5   | 60061853-02 |      | •  | • | • | • | • | • | • | • | • | •  | •  | •  | •  | •  | •  | •  |    |    |    |
| 0581        | O - RING (15.88X2.62)           | 65104337    |      | •  | • | • | • | • | • | • | • | • | •  | •  | •  | •  | •  | •  | •  |    |    |    |
| 0582        | O-RING D: 17.86-2.62            | 61308091    |      | •  | • | • | • | • | • | • | • | • | •  | •  | •  | •  | •  | •  | •  |    |    |    |
| 0583        | O - RING (15.54X2.62)           | 65104325    |      | •  | • | • | • | • | • | • | • | • | •  | •  | •  | •  | •  | •  | •  |    |    |    |
| 0584        | O-RING D: 11.91-2.62            | 60000850    |      | •  | • | • | • | • | • | • | • | • | •  | •  | •  | •  | •  | •  | •  |    |    |    |
| 0585        | O-RING 3,53X17,04               | 65104262    |      | •  | • | • | • | • | • | • | • | • | •  | •  | •  | •  | •  | •  | •  |    |    |    |
| 0586        | SHEET GASKET D: 11-5-1.5        | 60061853-07 |      | •  | • | • | • | • | • | • | • | • | •  | •  | •  | •  | •  | •  | •  |    |    |    |
| 0587        | O-RING D: 12.1-2.7              | 60024164-16 |      | •  | • | • | • | • | • | • | • | • | •  | •  | •  | •  | •  | •  | •  |    |    |    |
| 0588        | EXCHANGER GASKET                | 65104334    |      | •  | • | • | • | • | • | • | • | • | •  | •  | •  | •  | •  | •  | •  |    |    |    |

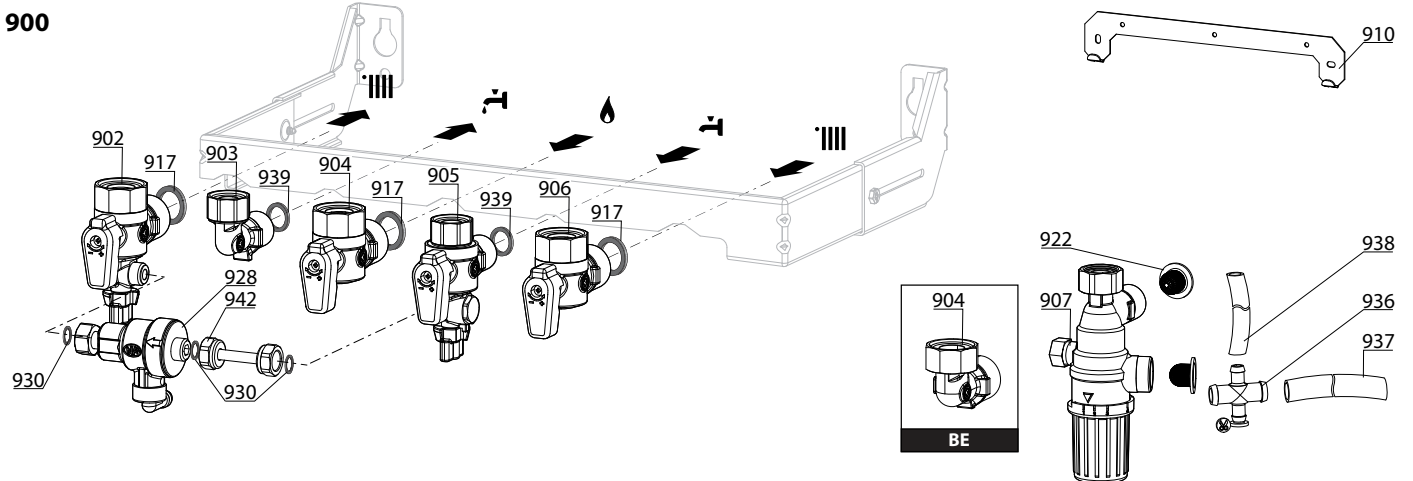
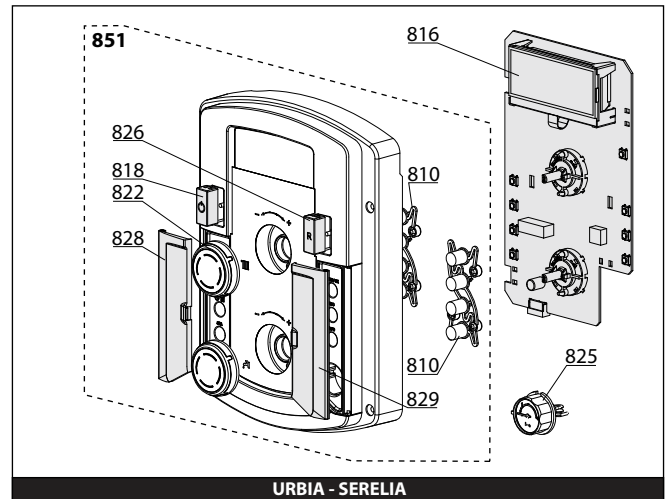
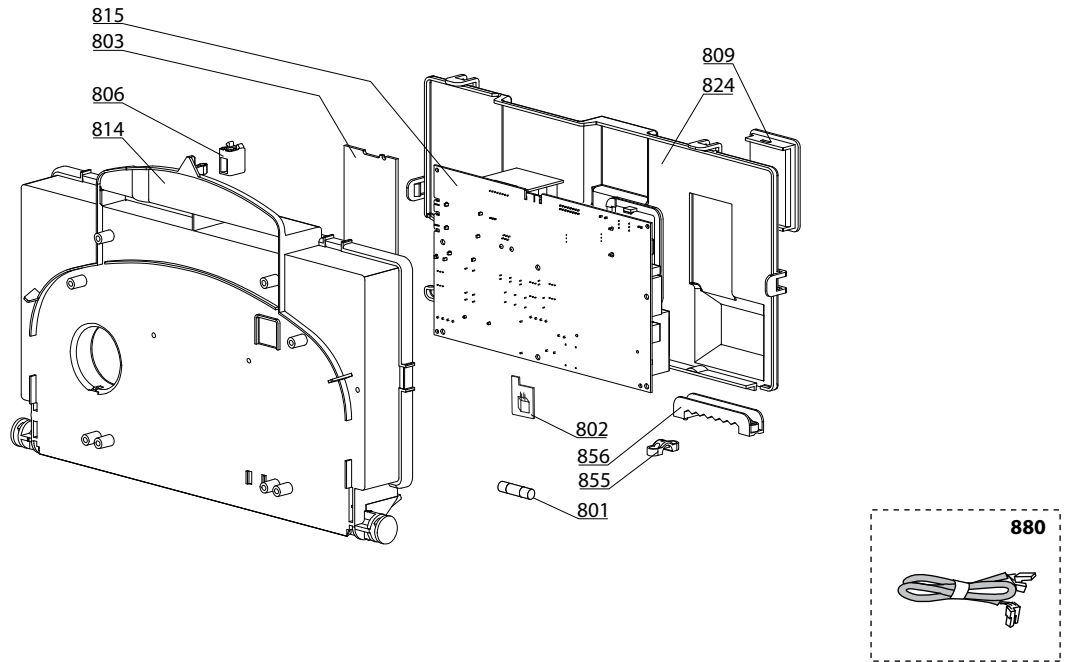
URBIA - SERELIA

Domestic Gas Boilers





| ☉→          | Description                    | Manf. Pt. N | Type | <div style="display: flex; justify-content: space-between; font-size: small;"> <span>URBIA 23 CF</span> <span>URBIA 30 CF</span> <span>URBIA 24 VMC</span> <span>URBIA 23 FF</span> <span>URBIA 30 FF</span> <span>SERELIA 35 FF</span> <span>SERELIA 23 CF</span> <span>SERELIA 30 CF</span> <span>SERELIA 24 VMC</span> <span>SERELIA 23 FF</span> <span>SERELIA 30 FF</span> </div> |   |   |   |   |   |   |   |   |    |    |    |    |    |    |    |    |    | 31 |
|-------------|--------------------------------|-------------|------|--|---|---|---|---|---|---|---|---|----|----|----|----|----|----|----|----|----|----|
|             |                                |             |      | 1  | 2 | 3 | 4 | 5 | 6 | 7 | 8 | 9 | 10 | 11 | 12 | 13 | 14 | 15 | 16 | 17 | 18 |    |
| <b>0600</b> | <b>RETURN GROUP</b>            |             |      |  |   |   |   |   |   |   |   |   |    |    |    |    |    |    |    |    |    |    |
| 0601        | RETURN GROUP                   | 60000874    |      | •  | • | • | • | • | • | • | • | • | •  | •  | •  | •  | •  | •  | •  |    |    |    |
| 0602        | PROPORTIONAL PRESSURE SWITCH   | 65104321    |      | •  | • | • | • | • | • | • | • | • | •  | •  | •  | •  | •  | •  | •  |    |    |    |
| 0603        | TEMPERATURE PROBE + CLIP       | 990686      |      | •  | • | • | • | • | • | • | • | • | •  | •  | •  | •  | •  | •  | •  |    |    |    |
| 0604        | PUMP 6M 2V                     | 60000591    |      | •  |   |   | • | • |   | • |   | • |    | •  |    |    |    |    |    |    |    |    |
|             | PUMP 5M 2V                     | 65104319    |      | •  | • | • |   |   | • |   | • | • |    |    |    |    |    |    |    |    |    |    |
| 0605        | MOTOR - THREE-WAY VALVE        | 61302483-01 |      | •  | • | • | • | • | • | • | • | • | •  | •  | •  | •  | •  | •  | •  |    |    |    |
| 0606        | SENSOR (REED)                  | 65104323    |      | •  | • | • | • | • | • | • | • | • | •  | •  | •  | •  | •  | •  | •  |    |    |    |
| 0607        | FLOW METER                     | 60000870    |      | •  | • | • | • | • | • | • | • | • | •  | •  | •  | •  | •  | •  | •  |    |    |    |
| 0610        | MOTOR + SPRING 3 WAY VALVE KIT | 60001583    |      | •  | • | • | • | • | • | • | • | • | •  | •  | •  | •  | •  | •  | •  |    |    |    |
| 0611        | PRESSURE RELIEF VALVE 7 BARS   | 60000171    |      | •  | • | • | • | • | • | • | • | • | •  | •  | •  | •  | •  | •  | •  |    |    |    |
| 0612        | PLUG                           | 65104377    |      | •  | • | • | • | • | • | • | • | • | •  | •  | •  | •  | •  | •  | •  |    |    |    |
| 0613        | RIDUCTORS (KIT)                | 65104318    |      | •  | • | • | • | • | • | • | • | • | •  | •  | •  | •  | •  | •  | •  |    |    |    |
| 0614        | AUTO AIR VENT WITH O-RING      | 65104703    |      | •  | • | • | • | • | • | • | • | • | •  | •  | •  | •  | •  | •  | •  |    |    |    |
| 0615        | KIT DRAIN SCREW                | 60001385    |      | •  | • | • | • | • | • | • | • | • | •  | •  | •  | •  | •  | •  | •  |    |    |    |
| 0616        | WATER FILTER                   | 60001372    |      | •  | • | • | • | • | • | • | • | • | •  | •  | •  | •  | •  | •  | •  |    |    |    |
| 0617        | GROMMET                        | 60000807    |      | •  | • | • | • | • | • | • | • | • | •  | •  | •  | •  | •  | •  | •  |    |    |    |
| 0619        | PLUG                           | 65104377    |      | •  | • | • | • | • | • | • | • | • | •  | •  | •  | •  | •  | •  | •  |    |    |    |
| 0650        | PIPE (EXPANSION VESSEL)        | 60000851    |      | •  | • | • | • | • |   |   |   |   |    |    |    |    |    |    |    |    |    |    |
|             | PIPE (EXPANSION VESSEL)        | 60000856    |      |  |   |   |   |   | • | • | • | • | •  | •  | •  | •  | •  | •  | •  |    |    |    |
| 0651        | HEATING RETURN TUBE            | 60000723    |      |  |   |   | • |   |   |   |   |   | •  |    |    |    |    |    |    |    |    |    |
|             | HEATING RETURN TUBE            | 60000723    |      | •  |   | • |   | • |   | • |   | • |    | •  |    |    |    |    |    |    |    |    |
|             | HEATING RETURN TUBE            | 60001132    |      |  |   |   | • |   |   |   |   |   | •  |    |    |    |    |    |    |    |    |    |
|             | PIPE (C.H. RETURN)             | 65104265    |      |  | • |   |   |   | • |   |   |   |    | •  |    |    |    |    |    |    |    |    |
| 0652        | HEATING RETURN TUBE            | 60000724    |      | •  |   | • | • | • | • | • | • | • | •  | •  | •  | •  | •  | •  | •  |    |    |    |
|             | HEATING RETURN TUBE            | 60000990    |      |  | • |   |   |   | • |   |   |   |    | •  |    |    |    |    |    |    |    |    |
| 0660        | CLIP D:10                      | 65104260    |      | •  | • | • | • | • | • | • | • | • | •  | •  | •  | •  | •  | •  | •  |    |    |    |
| 0661        | CLIP                           | 65104332    |      | •  | • | • | • | • | • | • | • | • | •  | •  | •  | •  | •  | •  | •  |    |    |    |
| 0662        | CLIP                           | 61307589    |      | •  | • | • | • | • | • | • | • | • | •  | •  | •  | •  | •  | •  | •  |    |    |    |
| 0663        | U-CLIP                         | 65104704    |      | •  | • | • | • | • | • | • | • | • | •  | •  | •  | •  | •  | •  | •  |    |    |    |
| 0664        | CLIP                           | 65104322    |      | •  | • | • | • | • | • | • | • | • | •  | •  | •  | •  | •  | •  | •  |    |    |    |
| 0665        | CLIP                           | 65104331    |      | •  | • | • | • | • | • | • | • | • | •  | •  | •  | •  | •  | •  | •  |    |    |    |
| 0666        | CLIP                           | 60000309    |      | •  | • | • | • | • | • | • | • | • | •  | •  | •  | •  | •  | •  | •  |    |    |    |
| 0667        | CLIP                           | 65100680    |      | •  | • | • | • | • | • | • | • | • | •  | •  | •  | •  | •  | •  | •  |    |    |    |
| 0668        | CLIP                           | 65104316    |      | •  | • | • | • | • | • | • | • | • | •  | •  | •  | •  | •  | •  | •  |    |    |    |
| 0680        | GASKET 3/8                     | 573521      |      | •  | • | • | • | • | • | • | • | • | •  | •  | •  | •  | •  | •  | •  |    |    |    |
| 0681        | O - RING (9.19X2.62)           | 65104313    |      | •  | • | • | • | • | • | • | • | • | •  | •  | •  | •  | •  | •  | •  |    |    |    |
| 0682        | O-RING 3,53X17,04              | 65104262    |      | •  | • | • | • | • | • | • | • | • | •  | •  | •  | •  | •  | •  | •  |    |    |    |
| 0683        | O - RING (23.47X2.62)          | 65104315    |      | •  | • | • | • | • | • | • | • | • | •  | •  | •  | •  | •  | •  | •  |    |    |    |
| 0684        | O-RING                         | 65104705    |      | •  | • | • | • | • | • | • | • | • | •  | •  | •  | •  | •  | •  | •  |    |    |    |
| 0686        | O - RING (15.54X2.62)          | 65104325    |      | •  | • | • | • | • | • | • | • | • | •  | •  | •  | •  | •  | •  | •  |    |    |    |
| 0687        | O RING D: 5.7-1.9              | 61009834-10 |      | •  | • | • | • | • | • | • | • | • | •  | •  | •  | •  | •  | •  | •  |    |    |    |
| 0688        | O - RING (21.89X2.62)          | 65104320    |      | •  | • | • | • | • | • | • | • | • | •  | •  | •  | •  | •  | •  | •  |    |    |    |
| 0689        | O-RING 17,17X1,78              | 65104303    |      | •  | • | • | • | • | • | • | • | • | •  | •  | •  | •  | •  | •  | •  |    |    |    |
| 0690        | O-RING D: 8.9-2.7              | 61009834-14 |      | •  | • | • | • | • | • | • | • | • | •  | •  | •  | •  | •  | •  | •  |    |    |    |
| 0691        | O-RING D: 17.86-2.62           | 61308091    |      | •  | • | • | • | • | • | • | • | • | •  | •  | •  | •  | •  | •  | •  |    |    |    |



5000

**5001**  
 Transf. gaz > B/P  
 Conv. gas > LPG  
 Transf. gas > GPL  
 Transf. gas > B/P  
 Umrustsatz > B/P

**5002**  
 Transf. gaz > Nat  
 Conv. gas > Nat  
 Transf. gas > Met  
 Transf. gas > Met  
 Umrustsatz > Nat

**5020**  
 Options  
 Accessories  
 Opzioni  
 Accessorio  
 Option

| ☉➔          | Description                              | Manf. Pt. N | Type   | <div style="display: flex; justify-content: space-between; font-size: small;"> <span>URBIA 23 CF</span><span>URBIA 30 CF</span><span>URBIA 24 VMC</span><span>URBIA 23 FF</span><span>URBIA 30 FF</span><span>SERELIA 23 FF</span><span>SERELIA 23 CF</span><span>SERELIA 30 CF</span><span>SERELIA 24 VMC</span><span>SERELIA 23 FF</span><span>SERELIA 30 FF</span> </div> |   |   |   |   |   |   |   |   |    |    |    |    |    |    |    |    |    | 31 |
|-------------|--|-------------|--------|--|---|---|---|---|---|---|---|---|----|----|----|----|----|----|----|----|----|----|
|             |  |             |        | 1  | 2 | 3 | 4 | 5 | 6 | 7 | 8 | 9 | 10 | 11 | 12 | 13 | 14 | 15 | 16 | 17 | 18 |    |
| <b>0800</b> | <b>ELECTRICAL BOX</b>                    |             |        |  |   |   |   |   |   |   |   |   |    |    |    |    |    |    |    |    |    |    |
| 0801        | FUSE 250V 2A - TEMPORIZED                | 61003456    |        | •  | • | • | • | • | • | • | • | • | •  | •  | •  | •  | •  | •  | •  |    |    |    |
| 0802        | MODULE KIT (EEPROM)                      | 65105148    |        | •  | • | • | • | • | • | • | • | • | •  | •  | •  | •  | •  | •  | •  |    |    |    |
| 0803        | P.C.B (CLIP-IN) E-BUS                    | 65109108    |        | •  | • | • | • | • | • | • | • | • | •  | •  | •  | •  | •  | •  | •  |    |    |    |
| 0806        | PUSH                                     | 65104228    |        | •  | • | • | • | • | • | • | • | • | •  | •  | •  | •  | •  | •  | •  |    |    |    |
| 0809        | INSPECTION COVER                         | 65104294    |        | •  | • | • | • | • | • | • | • | • | •  | •  | •  | •  | •  | •  | •  |    |    |    |
| 0810        | PUSH BUTTON                              | 60000978    |        | •  | • | • | • | • | • | • | • | • | •  | •  | •  | •  | •  | •  | •  |    |    |    |
| 0814        | CONTROL PANEL                            | 65104300    |        | •  | • | • | • | • | • | • | • | • | •  | •  | •  | •  | •  | •  | •  |    |    |    |
| 0815        | P.C.B. (MAIN)                            | 65109313-02 |        | •  | • | • | • | • | • | • | • | • | •  | •  | •  | •  | •  | •  | •  |    |    |    |
| 0816        | PRINTED CIRCUIT BOARD (DISPLAY)          | 60000760-01 |        | •  | • | • | • | • | • | • | • | • | •  | •  | •  | •  | •  | •  | •  |    |    |    |
| 0818        | PUSH BUTTON ON/OFF                       | 60000809    |        | •  | • | • | • | • | • | • | • | • | •  | •  | •  | •  | •  | •  | •  |    |    |    |
| 0822        | KNOB                                     | 60000762    |        | •  | • | • | • | • | • | • | • | • | •  | •  | •  | •  | •  | •  | •  |    |    |    |
| 0824        | CONTROL PANEL COVER (REAR)               | 65104293    |        | •  | • | • | • | • | • | • | • | • | •  | •  | •  | •  | •  | •  | •  |    |    |    |
| 0825        | PRESSURE GAUGE                           | 60000725    |        | •  | • | • | • | • | • | • | • | • | •  | •  | •  | •  | •  | •  | •  |    |    |    |
| 0826        | BUTTON (RESET)                           | 60000806    |        | •  | • | • | • | • | • | • | • | • | •  | •  | •  | •  | •  | •  | •  |    |    |    |
| 0828        | LEFT HAND DOOR                           | 60000761    |        | •  | • | • | • | • | • | • | • | • | •  | •  | •  | •  | •  | •  | •  |    |    |    |
| 0829        | RIGHT HAND DOOR                          | 60000759    |        | •  | • | • | • | • | • | • | • | • | •  | •  | •  | •  | •  | •  | •  |    |    |    |
| 0851        | FRONT CONTROL PANEL COMPLETE             | 60000805    |        | •  | • | • | • | • | • | • | • | • | •  | •  | •  | •  | •  | •  | •  |    |    |    |
| 0855        | CABLE CLAMP                              | 571562      |        | •  | • | • | • | • | • | • | • | • | •  | •  | •  | •  | •  | •  | •  |    |    |    |
| 0856        | CABLE CLAMP                              | 65103377    |        | •  | • | • | • | • | • | • | • | • | •  | •  | •  | •  | •  | •  | •  |    |    |    |
| 0880        | EARTH WIRE                               | 65104286    |        | •  | • | • | • | • | • | • | • | • | •  | •  | •  | •  | •  | •  | •  |    |    |    |
|             | DISPLAY WIRING                           | 60000746    | / CN02 | •  | • | • | • | • | • | • | • | • | •  | •  | •  | •  | •  | •  | •  |    |    |    |
|             | NTC - PRES. SENSOR - GAS VALVE CABLE     | 60000840    | / CN04 | •  | • | • | • | • | • | • | • | • | •  | •  | •  | •  | •  | •  | •  |    |    |    |
|             | IONIZATION ELECTRODE CABLE               | 65104518    | / CN05 | •  | • | • | • | • | • | • | • | • | •  | •  | •  | •  | •  | •  | •  |    |    |    |
|             | SHUNT CABLE                              | 60000839    | / CN07 |  |   | • |   |   |   |   | • |   |    |    |    |    |    |    |    |    |    |    |
|             | TACHOMETER FAN CABLE                     | 65104709    | / CN07 |  |   |   | • | • | • |   |   |   | •  | •  | •  |    |    |    |    |    |    |    |
|             | THREE WAY VALVE CABLE                    | 65104523    | / CN09 | •  | • | • | • | • | • | • | • | • | •  | •  | •  | •  | •  | •  | •  |    |    |    |
|             | PUMP 2V CABLE 5M                         | 65104520    | / CN10 | •  | • | • | • | • | • | • | • | • | •  | •  | •  | •  | •  | •  | •  |    |    |    |
|             | FAN CABLE                                | 65107270    | / CN10 |  |   |   | • | • | • |   |   |   | •  | •  | •  |    |    |    |    |    |    |    |
|             | CLIP-IN E-BUS WIRING                     | 65105169    | / CN11 | •  | • | • | • | • | • | • | • | • | •  | •  | •  | •  | •  | •  | •  |    |    |    |
|             | FLOW METER CABLE                         | 60000813    | / CN14 | •  | • | • | • | • | • | • | • | • | •  | •  | •  | •  | •  | •  | •  |    |    |    |
|             | FEEDER 240V                              | 60000993    | / CN20 | •  | • | • | • | • | • | • | • | • | •  | •  | •  | •  | •  | •  | •  |    |    |    |
|             | NTC - OVERHEAT THER. - PRES SWITCH CABLE | 60000814    | / CN22 |  |   |   | • | • | • |   |   |   | •  | •  | •  |    |    |    |    |    |    |    |
|             | NTC PROBE - OVERHEAT THERMOSTAT CABLE    | 60000838    | / CN22 |  |   |   | • |   |   |   |   |   | •  |    |    |    |    |    |    |    |    |    |
|             | ROOM THERMOSTAT CABLE                    | 60000988    | / CN25 | •  | • | • | • | • | • | • | • | • | •  | •  | •  | •  | •  | •  | •  |    |    |    |
|             | NTC PROBE - OVERHEAT THERMOSTAT CABLE    | 65104708    | / CN22 | •  | • |   |   |   |   | • | • |   |    |    |    |    |    |    |    |    |    |    |
| <b>0900</b> | <b>JIG PLATE &amp; PIPE FITTING</b>      |             |        |  |   |   |   |   |   |   |   |   |    |    |    |    |    |    |    |    |    |    |
| 0902        | WATER FLOW SERVICE TAP                   | 60000886    |        | •  | • | • | • | • | • | • | • | • | •  | •  | •  | •  | •  | •  | •  |    |    |    |
| 0903        | HOT WATER CONNECTION                     | 60000891    |        | •  | • | • | • | • | • | • | • | • | •  | •  | •  | •  | •  | •  | •  |    |    |    |
| 0904        | GAS SERVICE TAP                          | 60000898    |        | •  | • | • | • | • | • | • | • | • | •  | •  | •  | •  | •  | •  | •  |    |    |    |
|             | UNION                                    | 65105631    |        | •  | • | • | • | • | • | • | • | • | •  | •  | •  | •  | •  | •  | •  |    |    |    |
| 0905        | COLD WATER TAP                           | 60000894    |        | •  | • | • | • | • | • | • | • | • | •  | •  | •  | •  | •  | •  | •  |    |    |    |
| 0906        | WATER FLOW & RETURN SERVI. TAP           | 60000885    |        | •  | • | • | • | • | • | • | • | • | •  | •  | •  | •  | •  | •  | •  |    |    |    |
| 0907        | THERMOSTATIC MIXING VALVE                | 60001081    |        | •  | • | • | • | • | • | • | • | • | •  | •  | •  | •  | •  | •  | •  |    |    |    |
| 0910        | WALL HOOK                                | 60001077    |        | •  | • | • | • | • | • | • | • | • | •  | •  | •  | •  | •  | •  | •  |    |    |    |
| 0917        | SHEET GASKET D: 24-17-1.5                | 60061855-19 |        | •  | • | • | • | • | • | • | • | • | •  | •  | •  | •  | •  | •  | •  |    |    |    |
| 0922        | FILTER                                   | 60001087    |        | •  | • | • | • | • | • | • | • | • | •  | •  | •  | •  | •  | •  | •  |    |    |    |
| 0928        | DISCONNECTOR                             | 60000881    |        | •  | • | • | • | • | • | • | • | • | •  | •  | •  | •  | •  | •  | •  |    |    |    |
| 0930        | SHEET GASKET D: 11-5-1.5                 | 60061853-07 |        | •  | • | • | • | • | • | • | • | • | •  | •  | •  | •  | •  | •  | •  |    |    |    |
| 0936        | UNION                                    | 60000879    |        | •  | • | • | • | • | • | • | • | • | •  | •  | •  | •  | •  | •  | •  |    |    |    |
| 0937        | TUBE PVC D: 13x17 L: 1M                  | 60081266-02 |        | •  | • | • | • | • | • | • | • | • | •  | •  | •  | •  | •  | •  | •  |    |    |    |
| 0938        | TUBE PVC D: 9x12 L: 1M                   | 60081266    |        | •  | • | • | • | • | • | • | • | • | •  | •  | •  | •  | •  | •  | •  |    |    |    |
| 0939        | SHEET GASKET D: 16.5-11-1.5              | 60061854-14 |        | •  | • | • | • | • | • | • | • | • | •  | •  | •  | •  | •  | •  | •  |    |    |    |
| 0942        | FILLER NECK                              | 60001078    |        | •  | • | • | • | • | • | • | • | • | •  | •  | •  | •  | •  | •  | •  |    |    |    |
| <b>5000</b> | <b>ACCESSORIES</b>                       |             |        |  |   |   |   |   |   |   |   |   |    |    |    |    |    |    |    |    |    |    |
| 5001        | BURNER JET FULL KIT (LPG)                | 65104582    |        |  |   |   |   | • |   |   |   |   |    |    |    |    |    |    |    |    |    |    |
|             | BURNER JET FULL KIT (LPG)                | 65105166    |        |  |   |   |   |   | • |   |   |   |    |    |    |    |    |    |    |    |    |    |
|             | BURNER JET FULL KIT (LPG)                | 65106690    |        | •  |   |   | • |   | • |   |   |   |    | •  |    |    |    |    |    |    |    |    |
|             | BURNER JET FULL KIT (LPG)                | 65106695    |        |  | • |   |   |   |   | • |   |   |    |    |    |    |    |    |    |    |    |    |
| 5002        | BURNER JET FULL KIT (NG) FR              | 65104585    |        |  |   |   |   | • |   |   |   |   |    |    |    |    |    |    |    |    |    |    |
|             | BURNER JET FULL KIT (NG)                 | 65105178    |        |  |   |   |   |   | • |   |   |   |    |    |    |    |    |    |    |    |    |    |
|             | BURNER JET FULL KIT                      | 65106513    |        |  |   | • |   |   |   | • |   |   |    |    |    |    |    |    |    |    |    |    |
|             | BURNER JET FULL KIT (NG) FR              | 65106692    |        | •  |   |   | • |   |   | • |   |   |    |    |    |    |    |    |    |    |    |    |
| 5020        | ROD PLATE                                | 60000727    |        | •  | • | • | • | • | • | • | • | • | •  | •  | •  | •  | •  | •  | •  |    |    |    |

## LIST OF THE ABBREVIATIONS

|             |  |
|-------------|--|
| HW .....    | : Hot water.                                   |
| CW .....    | : Cold water.                                  |
| C .....     | : Ceramic resistance (normal heating).         |
| Ca .....    | : Ceramic resistance (accelerated heating)     |
| TP .....    | : Immersion heater.                            |
| 1F .....    | : With fittings.                               |
| 2F .....    | : Without fittings.                            |
| 3F .....    | : With fittings and another outlet connection. |
| AMI .....   | : With mixing valve.                           |
| SMI .....   | : Without mixing valve.                        |
| PUISS ..... | : Power of th appliance.                       |
| PN .....    | : Appliance with normal pression.              |
| LP .....    | : Appliance with low pression.                 |
| PV .....    | : Appliance with variable power.               |
| PF .....    | : Appliance with fixed power.                  |

## IDENTIFICATION PLATE

### SERIAL NUMBER

|                             |                           |                                   |  |
|-----------------------------|---------------------------|-----------------------------------|--|
| <b>10 Characters :</b>      | 04 05 125 011             |                                   |  |
|                             |                           | Sequential number                 |  |
|                             |                           | Manufacturing day                 |  |
|                             |                           | Year of manufacture               |  |
| <b>11 Characters :</b>      | 1 95 065004 - 31          |                                   |  |
| Month of manufacture :      |                           | Technical number of the appliance |  |
| from 1 to 9 → Jan. to Sep., |                           | Sequential number                 |  |
| O → Oct., N → Nov.,         |                           | Year of manufacture               |  |
| D → Dec.                    |                           |                                   |  |
| <b>19 Characters :</b>      | 08 05 0013199 900640031   |                                   |  |
| Year of manufacture         |                           | Product reference                 |  |
| Month of manufacture        |                           | Sequential number                 |  |
| <b>20 Characters :</b>      | 3675007 XX 2 07 070 00315 |                                   |  |
| Product reference           |                           | Sequential number                 |  |
| Millenium of manufacture    |                           | Manufacturing day                 |  |
|                             |                           | Year of manufacture               |  |
| <b>21 Characters :</b>      | 3675007 XX 07 070 0000315 |                                   |  |
| Product reference           |                           | Sequential number                 |  |
| Year of manufacture         |                           | Manufacturing day                 |  |

The indications mentioned on the prices, commercial or technical literature and the scheme are written for your guidance and are available at a given time. The CONSTRUCTOR retains the power to modify the presentation, the form, the size, the conception or the material of the products.