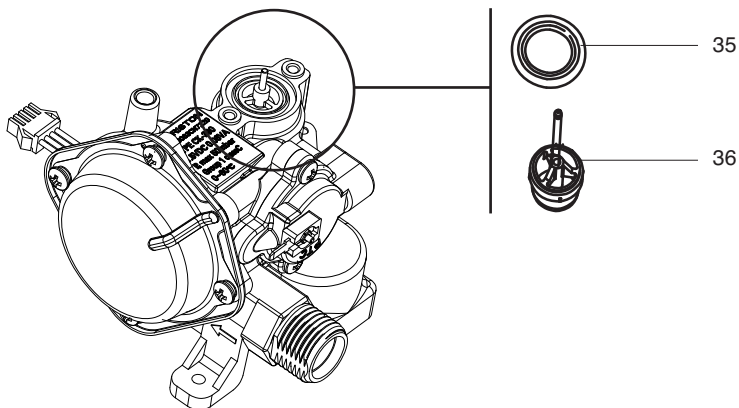
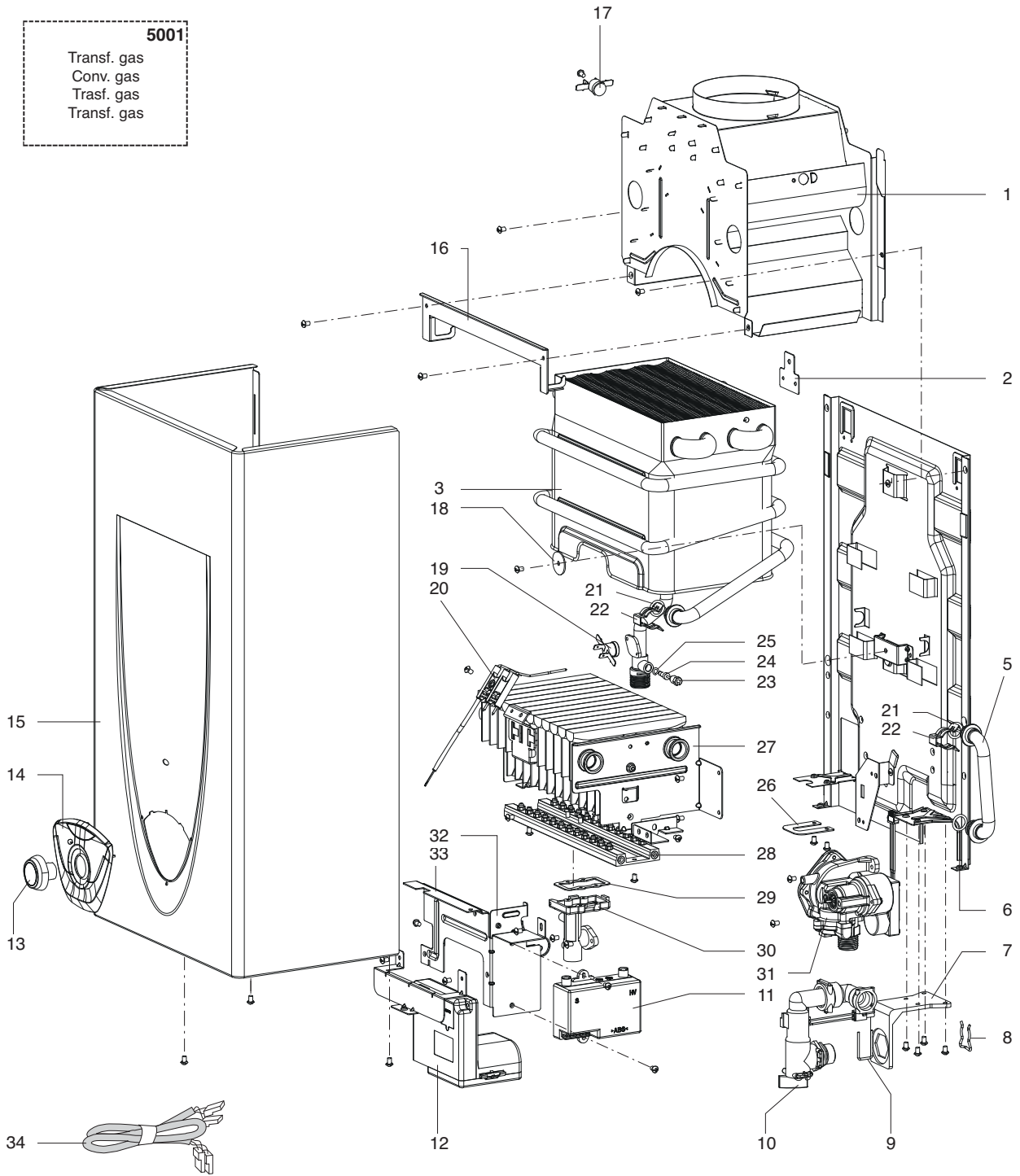


SPARE PARTS EXPLODED VIEW
INSTANTANEOUS GAS WATER HEATERS
Model
FLUENDO PLUS LNX ONT

R8218116-03 - 26/05/2021

1	3632395	FLUENDO PLUS LNX ONT 11 NG EU	07-2018	-
2	3632396	FLUENDO PLUS LNX ONT 11 LPG EU	07-2018	-
3	3632397	FLUENDO PLUS LNX ONT 14 NG EU	07-2018	-
4	3632398	FLUENDO PLUS LNX ONT 14 LPG EU	07-2018	-
Col	Reference	Model type	Begin	End

5001
 Transf. gas
 Conv. gas
 Trasn. gas
 Transf. gas



☉➔	Description	Manf. Pt. N	Type															31								
				11 NG	11 LPG	14 NG	14 LPG	1	2	3	4	5	6	7	8	9	10	11	12	13	14	15	16	17	18	From
0001	FLUE HOOD 11L	65154102		●	●																					
	FLUE HOOD 14L	65152066				●	●																			
0002	BRACKET (EXCHANGER)	65152083		●	●	●	●																			
0003	HEAT EXCHANGER	65153772		●	●																					
	HEAT EXCHANGER	65153773				●	●																			
0005	WATER CONNECTING PIPE	65153770		●	●																					
	WATER CONNECTING PIPE	65153771				●	●																			
0006	O-RING 12.3X2.4	60024164-47		●	●	●	●																			
0007	L SHAPE SUPPORT	65153769		●	●	●	●																			
0008	CLIP	65152061		●	●	●	●																			
0009	CLIP	65152062		●	●	●	●																			
0010	WATER FLOW SENSOR	65153768-01		●	●	●	●																			
0011	IGNITOR	65153767		●	●	●	●																			
0012	P.C.B. (MAIN)	65153776		●	●	●	●																			
0013	KNOB (CM)	65152147		●	●	●	●																			
0014	PLASTIC PANEL /CHX/BRD ONM	65117964		●	●	●	●																			
0015	NEW FAST FRONT COVER	65153762		●	●	●	●																			
0016	FIXING BRACKET (HOOD, 11L)	65152084		●	●																					
	FIXING BRACKET (HOOD, 14L)	65152089				●	●																			
0017	OVERHEAT THERMOSTAT 110°	65154564		●	●																					
	OVERHEAT THERMOSTAT 125°C	65154743				●	●																			
0018	WASHER	65152050		●	●	●	●																			
0019	OVERHEAT THERMOSTAT 85°C	65152049		●	●	●	●																			
0020	IGNITION PIN	65155355		●	●	●	●																			
0021	O-RING 12.3X2.4	60024164-47		●	●	●	●																			
0022	CLIP	65153745		●	●	●	●																			
0023	NUT (TEMPERATUR SENSOR)	65152079		●	●	●	●																			
0024	TEMPERATURE SENSOR	977227		●	●	●	●																			
0025	O-RING 3.75X1.8 (10 PCS)	65158146		●	●	●	●																			
0026	BRACKET (PIPE, OUTLET)	65152081		●	●	●	●																			
0027	BURNER	65153746		●	●																					
	BURNER	65153747				●	●																			
0028	MANIFOLD (LPG-G31)	65153742				●	●																			
	MANIFOLD (NG-G20)	65153741				●	●																			
	MANIFOLD(LPG)	65153740				●	●																			
	MANIFOLD(NG-G20)	65153739		●	●																					
0029	SEALING PLATE	65153736		●	●	●	●																			
0030	GAS CONNECTOR	65153761		●	●	●	●																			
0031	GAS VALVE (LPG)	65152125			●		●																			
	GAS VALVE NG	65152054		●		●																				
0032	BRACKET 1	65153760		●	●	●	●																			
0033	BRACKET 2	65153759		●	●	●	●																			
0034	WIRING (EVO B)	65153780		●	●	●	●																			
0035	GASKET (DIAPHRAGM)	65152541		●	●	●	●																			
0036	GAS DIAPHRAGM (A)	65152056		●		●																				
	GAS DIAPHRAGM (C)	65152109			●		●																			
5001	ONT GAS TRANSF LPG TO NG 11L LNX	65154739		●	●																					
	ONT GAS TRANSF LPG TO NG 14L LNX	65154741				●	●																			
	ONT GAS TRANSF NG TO LPG 11L LNX	65154740		●	●																					
	ONT GAS TRANSF NG TO LPG 14L LNX	65154742				●	●																			

LIST OF THE ABBREVIATIONS

HW	: Hot water.
CW	: Cold water.
C	: Ceramic resistance (normal heating).
Ca	: Ceramic resistance (accelerated heating)
TP	: Immersion heater.
1F	: With fittings.
2F	: Without fittings.
3F	: With fittings and another outlet connection.
AMI	: With mixing valve.
SMI	: Without mixing valve.
PUISS	: Power of th appliance.
PN	: Appliance with normal pression.
LP	: Appliance with low pression.
PV	: Appliance with variable power.
PF	: Appliance with fixed power.

IDENTIFICATION PLATE

SERIAL NUMBER

6 Characters :
 Year of manufacture 03 09 08 Manufacturing day
 Month of manufacture

9 Characters :
 Year of manufacture 5 9 12 0606 Sequential number
 Month of manufacture

14 Characters :
 SI-V-0B0 45 07 0001
 Sequential number
 Year of manufacture : → 6 → 2004
 Month of manufacture : → 25 → January 43 → July 7 → 2005
 → 13 → February 29 → August 8 → 2006
 → 32 → March 40 → September etc ...
 → 35 → April 38 → October
 → 39 → May 51 → November
 → 45 → June 12 → December

14 Characters :
 111518 XX 000010
 Month of manufacture Sequential number
 Day of manufacture Year of manufacture

15 Characters :
 02 11 00001 007843
 Year of manufacture Product reference
 Month of manufacture Sequential number

21 Characters :
 3200050 XX 08115 0000001
 Product reference Sequential number
 Year (08) / Manufacturing day (115)

22 Characters :
 3200050 XX 070115 0000001
 Product reference Sequential number
 Year (07) / Month (01) / Manufacturing day (15)

The indications mentioned on the prices, commercial or technical literature and the scheme are written for your guidance and are available at a given time. The CONSTRUCTOR retains the power to modify the presentation, the form, the size, the conception or the material of the products.