

SPARE PARTS EXPLODED VIEW GAS-WALL CONDENSING BOILERS

Model

MIRA C GREEN

R8203186-07 - 18/06/2020

EN	FR	IT	ES	DE	NL
----	----	-----------	----	----	----

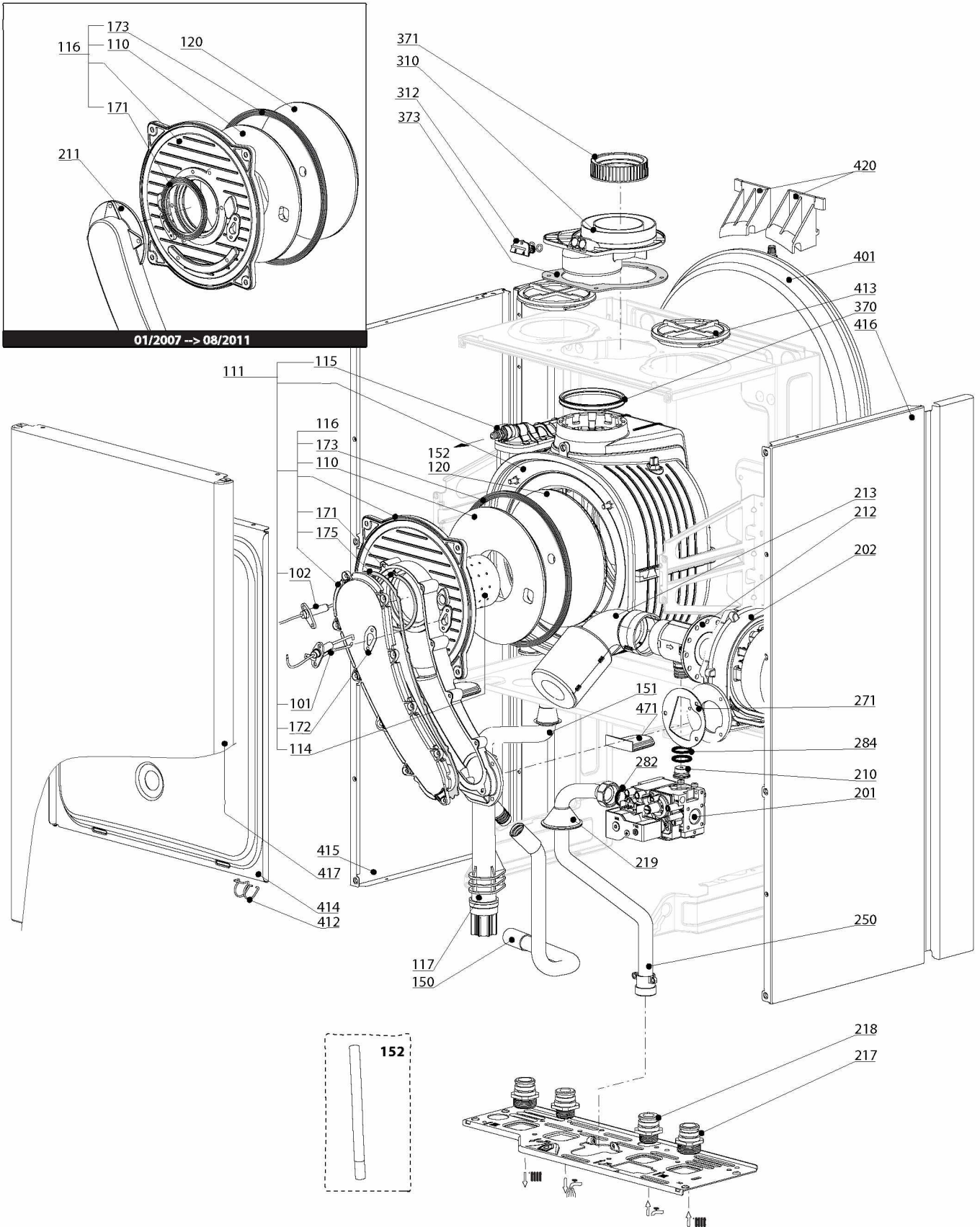
1	3650289	MIRA C GREEN 25 FF N FR	03-2008	12-2009
1	3650339	MIRA C GREEN 25FF P	10-2008	12-2009
1	3310083	MIRA C GREEN 25 FF N FR	02-2010	12-2011
1	3310121	MIRA C GREEN 25FF P	04-2010	11-2010
1	3310151	MIRA C GREEN 25 FF FR + K.E.	02-2010	12-2011
2	3650288	MIRA C GREEN 30 FF N FR	03-2008	12-2009
2	3310104	MIRA C GREEN 30 FF N FR	02-2010	12-2011
2	3310153	MIRA C GREEN 30 FF FR + K.E.	02-2010	12-2011
3	3650287	MIRA C GREEN 35 FF N FR	03-2008	12-2009
3	3310112	MIRA C GREEN 35 FF N FR	12-2009	12-2011
3	3310154	MIRA C GREEN 35 FF FR + K.E.	02-2010	12-2011

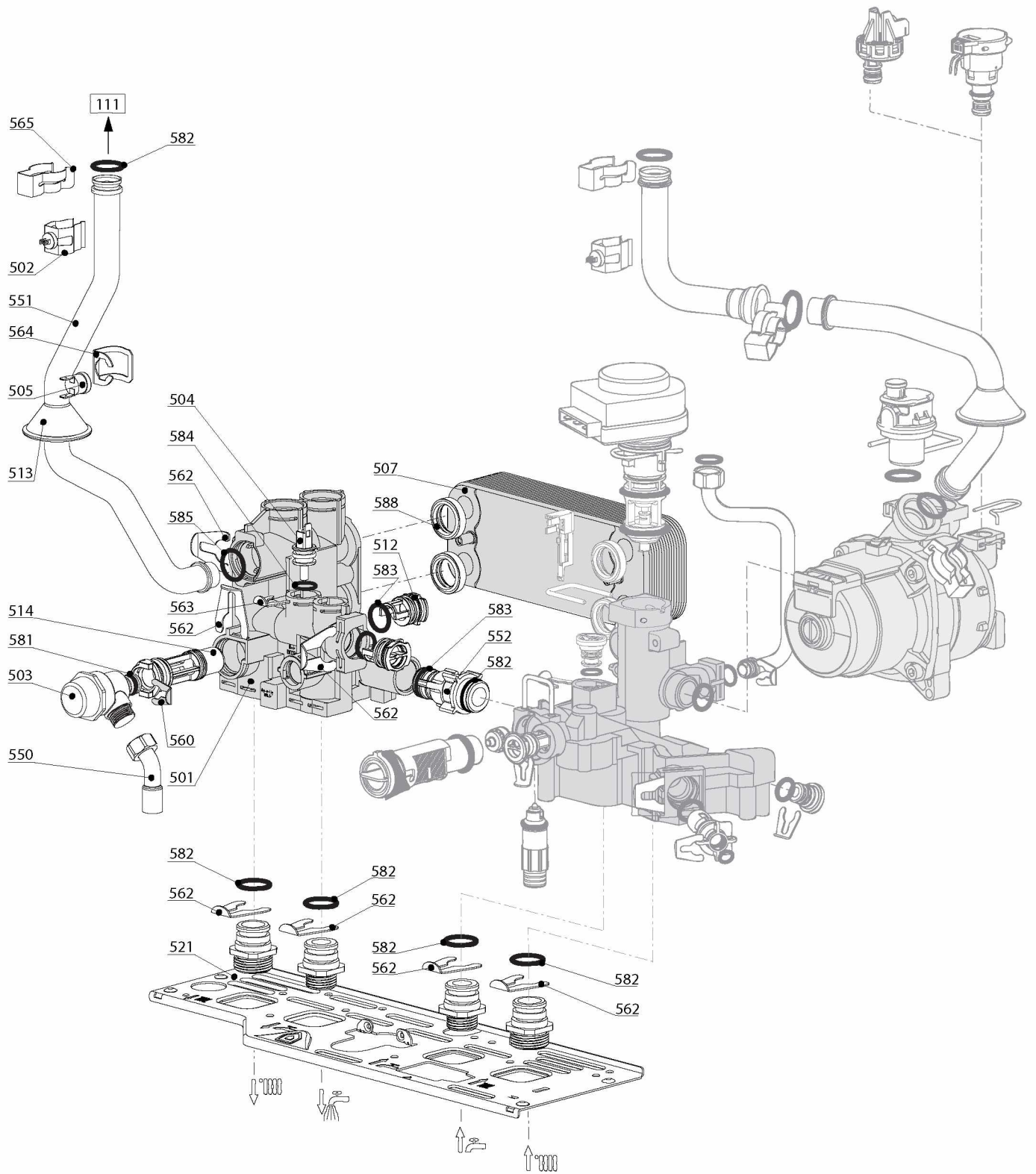
Col	Reference	Model type	Begin	End
-----	-----------	------------	-------	-----

100
200
300
400

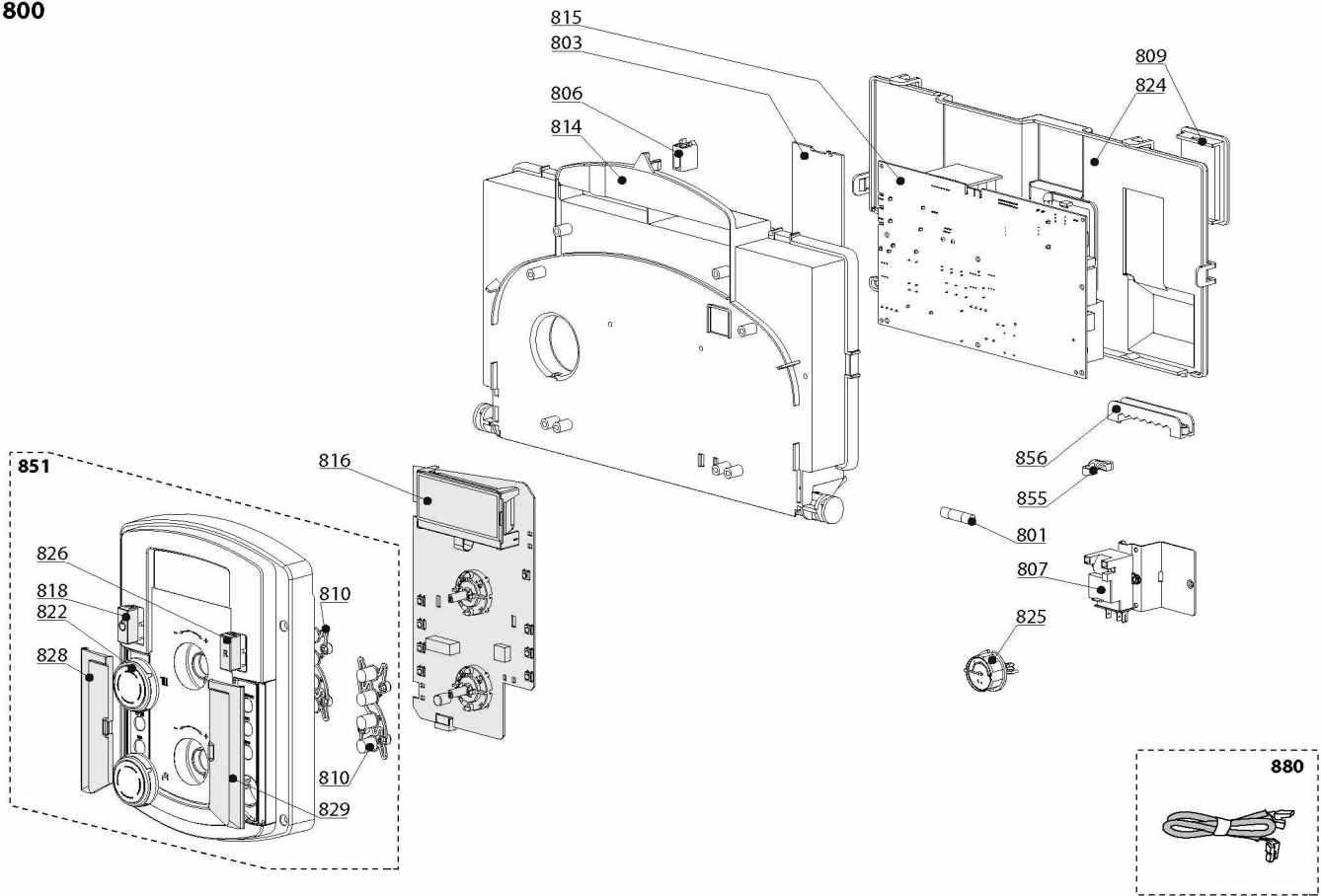
MIRA C GREEN

Gas-wall condensing boilers

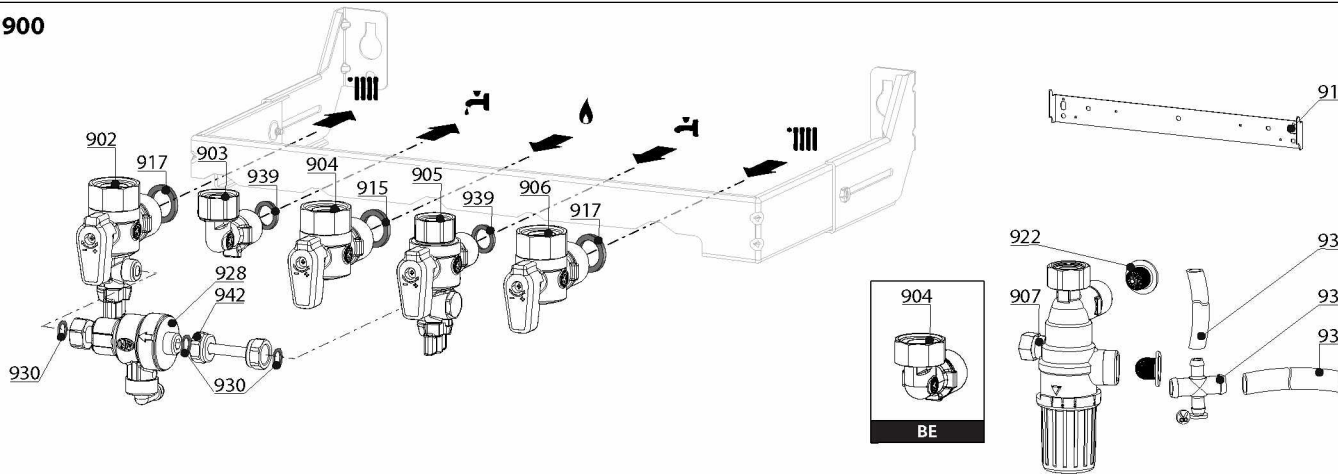




800



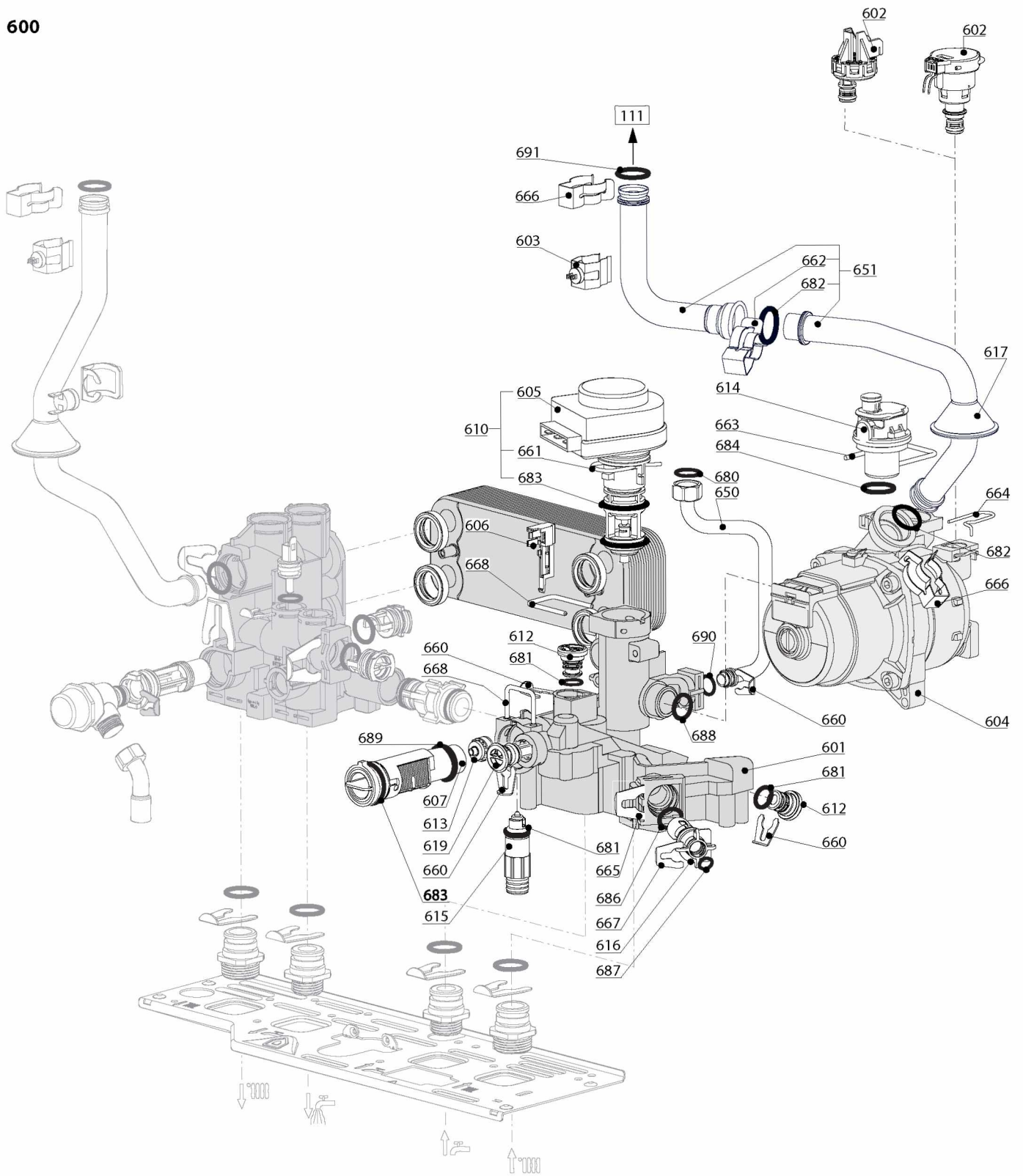
900



5000

- 5001**
- Gas conv. LPG G30/G31
 - Transf. gaz GPL G30/G31
 - Trasf. gas GPL G30/G31
 - Transf. gas GLP G30/G31
 - Flussiggas Umstellset
 - F-gas G30/G31
 - Ombouset
 - LPG G30/G31

- 5020**
- Accessories
 - Options
 - Opzioni
 - Accessorio
 - Zubehör
 - Opties



☉→	Description	Manf. Pt N	Type	MIRA C GREEN 25 MIRA C GREEN 30 MIRA C GREEN 35																	
				1	2	3	4	5	6	7	8	9	10	11	12	13	14	15	16	17	18
	0800 ELECTRICAL BOX																				
	0801 FUSE 250V 2A	61003456		•	•	•															
	0803 P.C.B (CLIP-IN) E-BUS	65109108		•	•	•															
	0806 PUSH	65104228		•	•	•															
	0807 IGNITER	61002105-20		•	•	•															
	0809 INSPECTION COVER	65104294		•	•	•															
	0810 PUSH BUTTON	60000978		•	•	•															
	0814 CONTROL PANEL COVER (FRONT)	65104300		•	•	•															
	0815 P.C.B. (MAIN)	65109138-03		•	•	•															
	0816 P.C.B. (DISPLAY)	60000760-03		•	•	•															
	0818 PUSH BUTTON ON/OFF	60000809		•	•	•															
	0822 KNOB	60000762		•	•	•															
	0824 CONTROL PANEL COVER (REAR)	65104293		•	•	•															
	0825 PRESSURE GAUGE	60000725		•	•	•															
	0826 PUSH BUTTON (RESET)	60000806		•	•	•															
	0828 HAND DOOR (L.H.SIDE)	60000761		•	•	•															
	0829 HAND DOOR (R.H.SIDE)	60000759		•	•	•															
	0851 FRONT CONTROL PANEL COMPLETE	60000805		•	•	•															
	0855 CABLE CLAMP	571562		•	•	•															
	0856 CABLE CLAMP	65103377		•	•	•															
	0880 3-WAY VALVE CABLE	65104523	/ CN09	•	•	•															
	CABLE (IGNITION ELECTRODE)	60000527		•	•	•															
	CABLE (IONIZATION ELECTRODE)	60000567	/ CN05	•	•	•															
	CLIP-IN E-BUS WIRING	65105169	/ CN11	•	•	•															
	DISPLAY WIRING - 5 WIRES BLUES	60000746	/ CN02	•	•	•															
	EARTH WIRE	65104286		•	•	•															
	FEEDER 240V	60000542	/ CN20	•	•	•															
	FLOW METER CABLE	60000813	/ CN14	•	•	•															
	IGNITOR - GAS VALVE CABLE	60000543	/ CN03	•	•	•															
	NTC - OVERHEAT - PRESSURE SENSOR CABLE	60001135	/ CN04	•	•	•															
	NTC PROBE - NTC EXCHANGER - FAN	60001234	/ CN22	•	•	•															
	PUMP 2V CABLE 5M WILO	65104520	WILO	•																	
	PUMP 2V CABLE 6M WILO	65109585	WILO		•	•															
	ROOM THERMOSTAT CABLE	60000988	/ CN25	•	•	•															
	0900 JIG PLATE & PIPE FITTING																				
	0902 WATER FLOW SERVICE TAP	60000886		•	•	•															
	0903 HOT WATER CONNECTION	60000891		•	•	•															
	0904 GAS SERVICE TAP	60000898		•	•	•															
	UNION	65105631		•	•	•															
	0905 COLD WATER TAP	60000894		•	•	•															
	0906 WATER FLOW & RETURN SERVI. TAP	60000885		•	•	•															
	0907 THERMOSTATIC MIXING VALVE	60001081		•	•	•															
	0910 WALL HOOK	60000625		•	•	•															
	0915 GAS SERVICE TAP GASKET	65119354		•	•	•															
	0917 SHEET GASKET D: 24-17-1.5	60061855-19		•	•	•															
	0922 FILTER	60001087		•	•	•															
	0928 DISCONNECTOR	60000881		•	•	•															
	0930 SHEET GASKET D: 11-5-1.5	60061853-07		•	•	•															
	0936 UNION	60000879		•	•	•															
	0937 TUBE PVC D: 13x17 L: 1M	60081266-02		•	•	•															
	0938 TUBE PVC D: 9x12 L: 1M	60081266		•	•	•															
	0939 WASHER D: 18.4-12.2-1.5	60061855-14		•	•	•															
	0942 FILLER NECK	60001078		•	•	•															
	5000 ACCESSORIES																				
	5001 BURNER JET FULL KIT (LPG)	60000752		•																	
	BURNER JET FULL KIT (LPG)	60000753			•																
	BURNER JET FULL KIT (LPG)	60000754				•															
	5020 AIR RETURN MANIFOLD	65104710		•	•	•															
	CLEANING KIT CONDENSATION	60000982		•	•	•															
	ROD PLATE	60000999		•																	
	ROD PLATE	60001000			•	•															

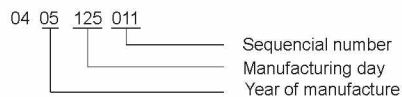
LIST OF THE ABBREVIATIONS

HW	: Hot water.
CW	: Cold water.
C	: Ceramic resistance (normal heating).
Ca	: Ceramic resistance (accelerated heating)
TP	: Immersion heater.
1F	: With fittings.
2F	: Without fittings.
3F	: With fittings and another outlet connection.
AMI	: With mixing valve.
SMI	: Without mixing valve.
PUISS	: Power of th appliance.
PN	: Appliance with normal pression.
LP	: Appliance with low pression.
PV	: Appliance with variable power.
PF	: Appliance with fixed power.

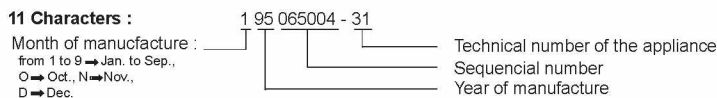
IDENTIFICATION PLATE

SERIAL NUMBER

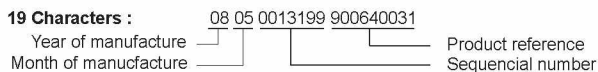
10 Characters :



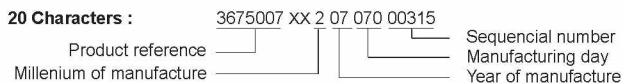
11 Characters :



19 Characters :



20 Characters :



21 Characters :

