

SPARE PARTS EXPLODED VIEW GAS WALL BOILERS

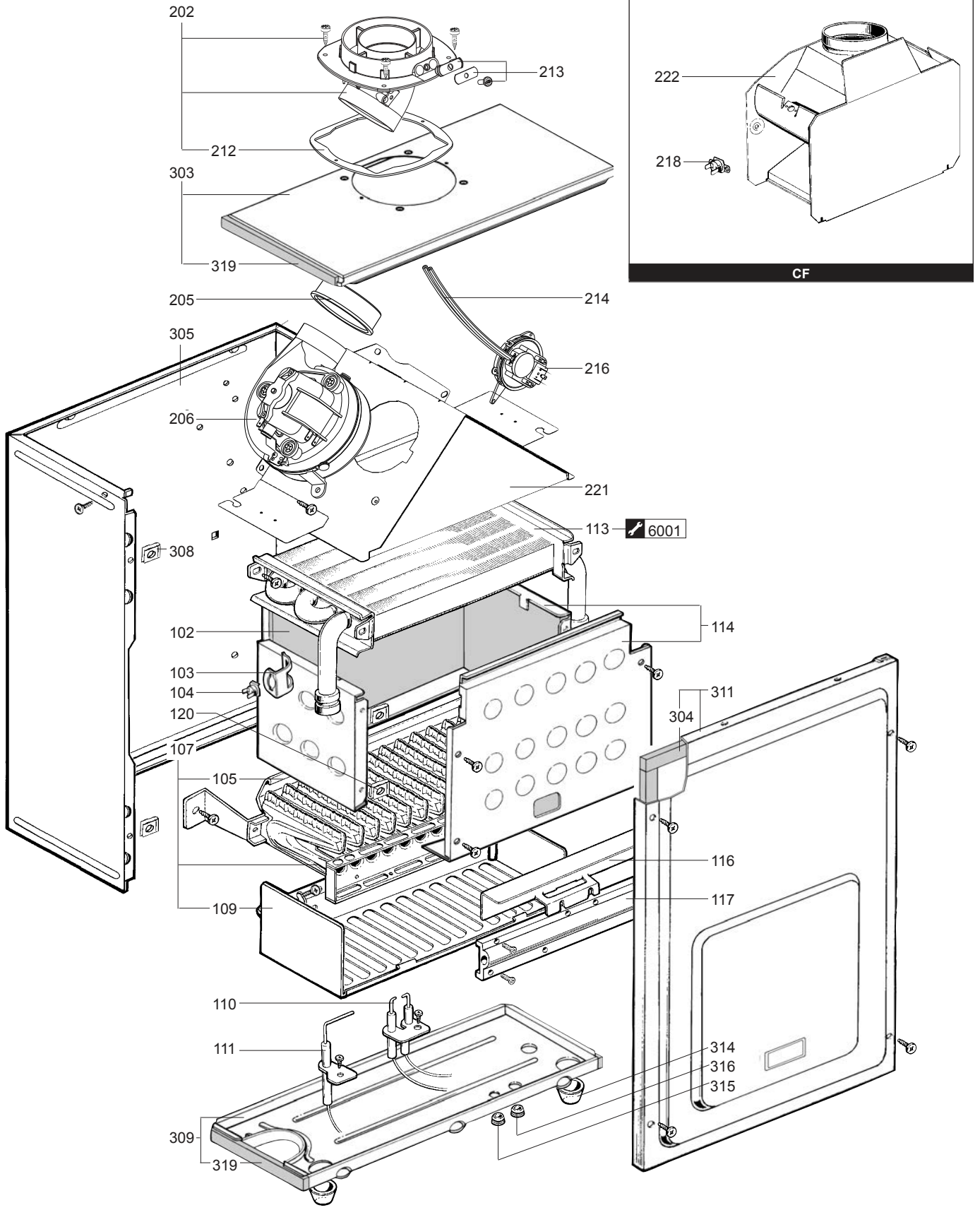
Model

ALUDRA DELTA

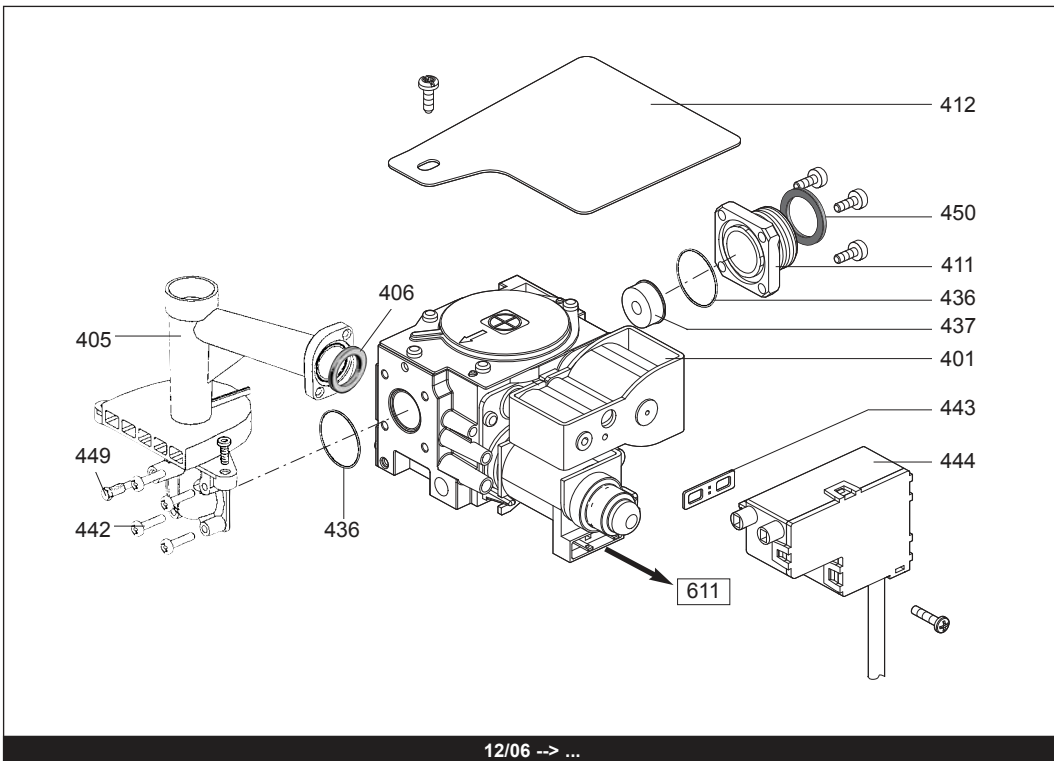
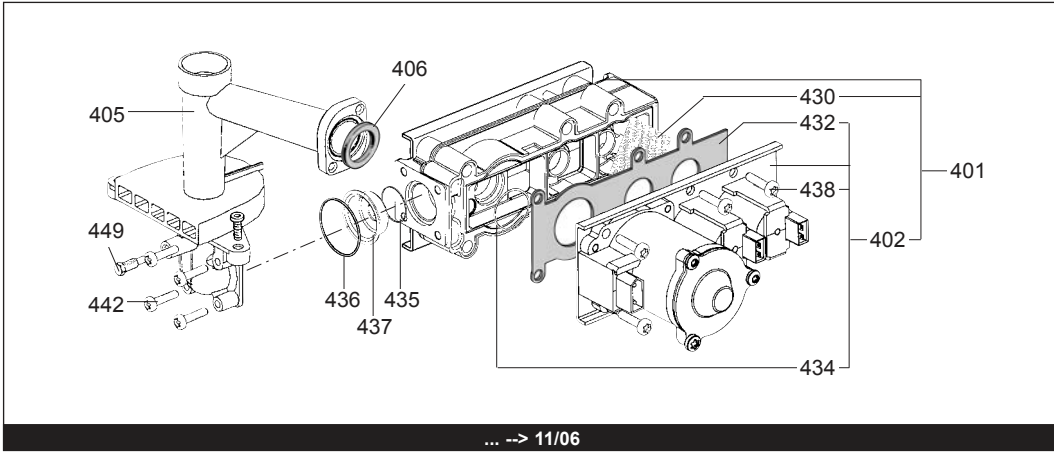
R8202933-06 - 20/03/2012

1	3650058	ALUDRA DELTA 24 CF NAT	06/05	12/07
1	3650059	ALUDRA DELTA 24 CF B/P	06/05	12/07
2	3650060	ALUDRA DELTA 24 VMC NAT	06/05	12/07
3	3650063	ALUDRA DELTA 24 FF NAT	06/05	12/07
3	3650064	ALUDRA DELTA 24 FF B/P	06/05	12/07
4	3650061	ALUDRA DELTA 28 CF NAT	06/05	12/07
4	3650062	ALUDRA DELTA 28 CF B/P	06/05	12/07
5	3650065	ALUDRA DELTA 28 FF NAT	06/05	12/07
5	3650066	ALUDRA DELTA 28 FF B/P	06/05	12/07

Col	Reference	Model type	Begin	End
-----	-----------	------------	-------	-----

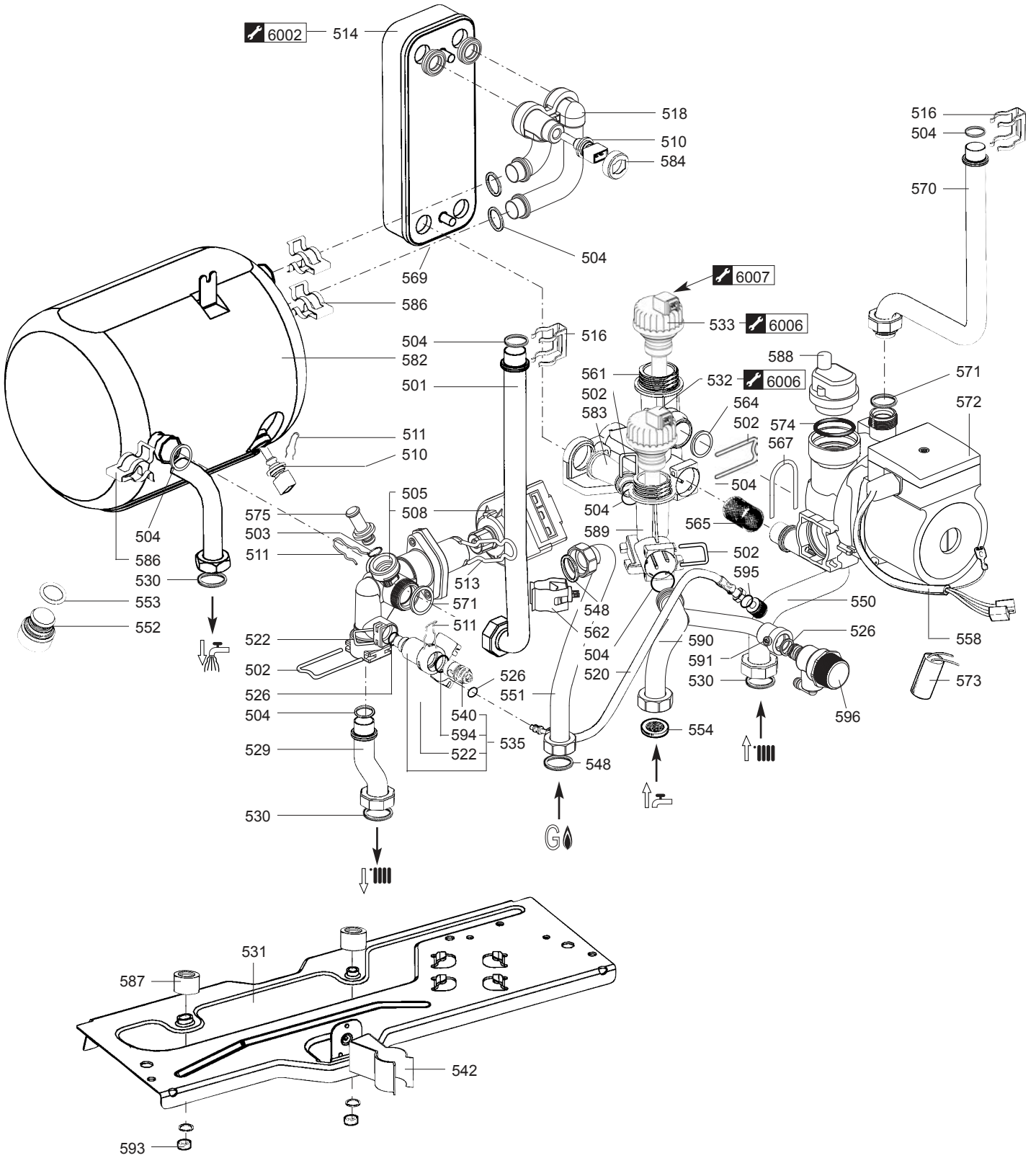


☺⇒	Description	Manf. Pt. N	Type	ALUDRA DELTA 24 CF ALUDRA DELTA 24 VMC ALUDRA DELTA 24 FF ALUDRA DELTA 28 CF ALUDRA DELTA 28 FF																	
				1	2	3	4	5	6	7	8	9	10	11	12	13	14	15	16	17	18
0100	BURNER ASSEMBLY																				
0102	COMBUSTION CHAMBER LINING KIT	60081722		•	•	•	•	•													
0103	CLIP	61010050		•	•	•	•	•													
0104	OVERHEAT THERMOSTAT 105C	61010191		•	•		•														
	OVERHEAT THERMOSTAT 100C	61010572				•		•													
0105	CROSS LIGHTING STRIP	61002811		•	•	•	•	•													
0107	BURNER HEAD	61010415		•	•		•														
	BURNER HEAD	61010753				•		•													
0109	GRILLE	61010223		•	•	•	•	•													
0110	IGNITION ELECTRODE	61002801		•	•	•	•	•													
0111	IONIZATION ELECTRODE	61002802		•	•	•	•	•													
0113	HEAT EXCHANGER	61010017		•	•	•															
	HEAT EXCHANGER	61010754						•													
	HEAT EXCHANGER	61011136								•											
0114	COMBUSTION CHAMBER ASSY	60081721		•	•	•	•	•													
0116	DEFLECTOR	61010392					•		•												
0117	MANIFOLD 16 INJ.	61010175	B/P	•		•															
	MANIFOLD 16 INJ.	61011312	B/P						•												
	MANIFOLD 16 INJ.	61011617	B/P					•													
	MANIFOLD 16 INJ.	61010030	NAT	•	•		•														
	MANIFOLD 16 INJ.	61010341	NAT			•															
	MANIFOLD 16 INJ.	61011305	NAT						•												
0120	SPIRE CLIP	60057488		•	•	•	•	•													
0200	FAN ASSEMBLY																				
0202	BEND 45DEG	60000161				•		•													
0205	GASKET	61303825				•		•													
0206	FAN ASSY	61020925				•		•													
0212	GASKET	61300262				•		•													
0213	PLUG KIT	61306698				•		•													
0214	SILICONE TUBE D: 4.5 L: 0.30M	60000162				•		•													
0216	AIR PRESSURE SWITCH	60000163				•		•													
0218	OVERHEAT THERMOSTAT 72C	61010074						•													
	THERMOSTAT (SAFETY - 70C)	61012479		•																	
	OVERHEAT THERMOSTAT 49C	61310767			•																
0221	HOOD	61304712						•													
	HOOD	61304713							•												
0222	DRAUGHT DIVERTER	61010117		•																	
	DRAUGHT DIVERTER	61011170							•												
	DRAUGHT DIVERTER	61308490			•																
0300	SEALED CASE																				
0303	TOP PANEL BOX	61305438				•		•													
0304	FOAM SEAL 12.5x5 L: 2.5M	60081273				•		•													
0305	CASE	61010106				•		•													
0308	SPIRE CLIP	60057488				•		•													
0309	BASE - BOX	61010588				•		•													
0311	CASE COVER	60081851				•		•													
0314	GROMMET	61010109				•		•													
0315	GROMMET	60039017				•		•													
0316	GROMMET - DOUBLE	60042707				•		•													
0319	FOAM SEAL	60000164				•		•													

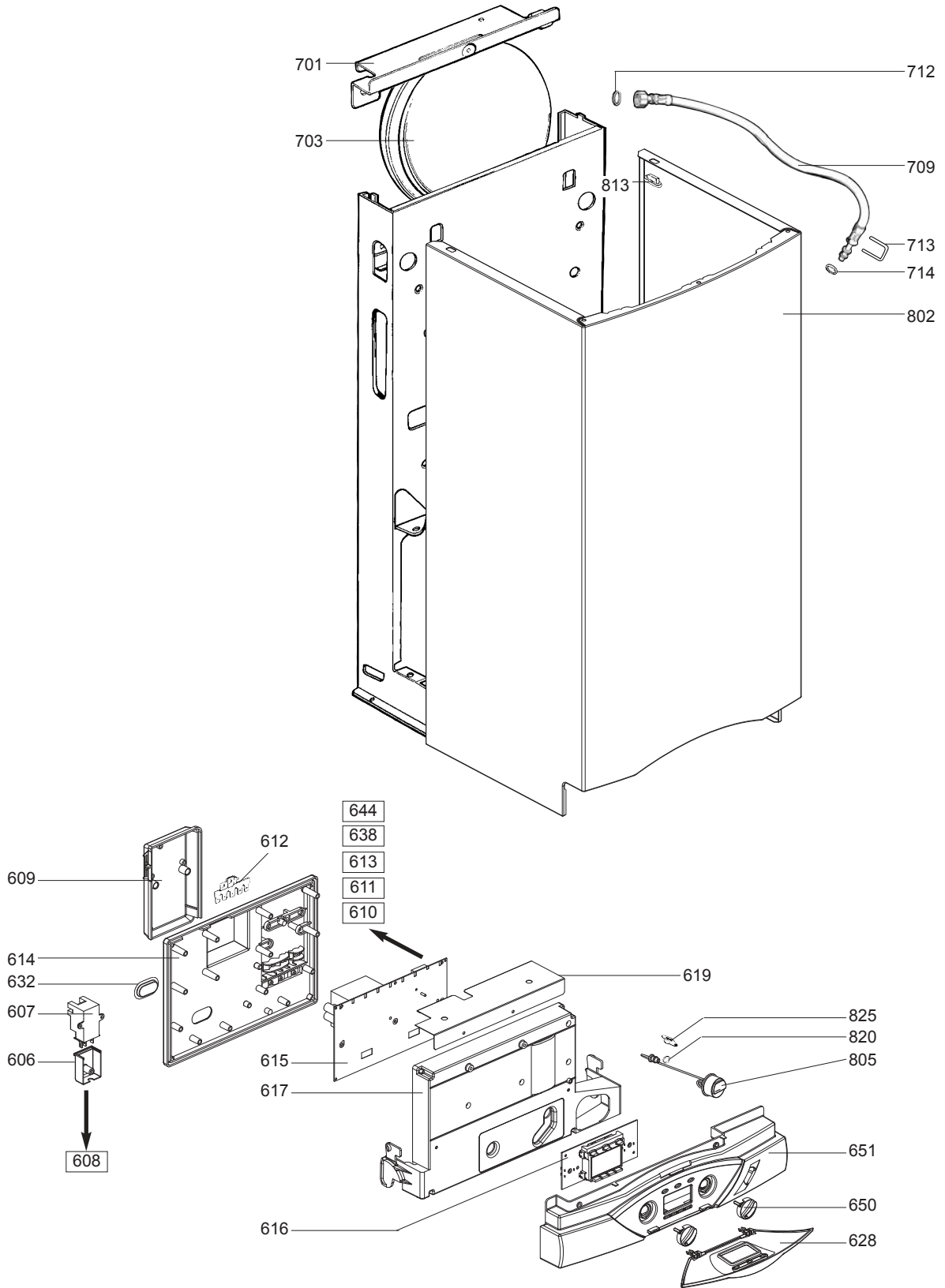


ALUDRA DELTA 24 CF
ALUDRA DELTA 24 VMC
ALUDRA DELTA 24 FF
ALUDRA DELTA 28 CF
ALUDRA DELTA 28 FF

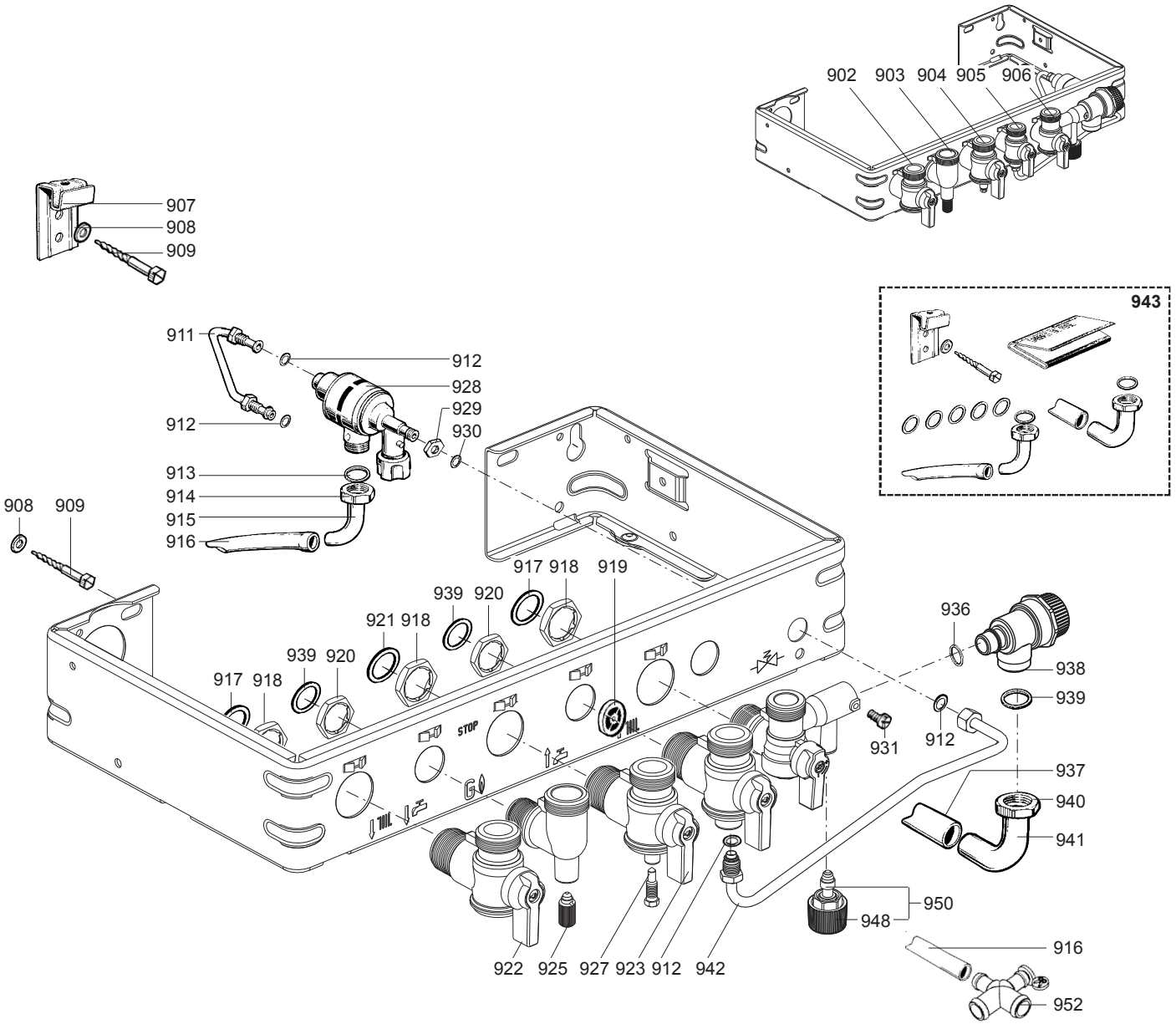
⑥⇒	Description	Manf. Pt. N	Type																				
				1	2	3	4	5	6	7	8	9	10	11	12	13	14	15	16	17	18		
0400	GAS SECTION																						
0401	GAS VALVE	60000586		•	•		•	•														12/06	
	GAS VALVE LPG	60000186	B/P	•		•	•	•														11/06	
	GAS VALVE NAT	60000165	NAT	•	•	•	•	•														11/06	
0402	SOLENOID VALVES KIT LPG	60081860	B/P	•		•	•	•															
	SOLENOID VALVES KIT NAT	60081859	NAT	•	•	•	•	•															
0405	BURNER BASE KIT	60081835		•	•	•	•	•															
0406	GASKET (/Manifold)	61010071		•	•	•	•	•															
0410	FOAM SEAL 12x7 L: 5M	60081273-04		•	•	•	•	•															
0411	CLAMP	60000578		•	•	•	•	•															
0412	PANEL	60000579		•	•		•																
0430	FILTER	60000166		•	•	•	•	•															
0432	GASKET (/Solenoid valve)	61013018		•	•	•	•	•															
0434	O-RING D: 14.1-1.6	60021061-41		•	•	•	•	•															
0435	O-RING D: 17.1-1.6	60021061-42		•	•	•	•	•															
0436	O-RING D: 22-2.6	60021061-40		•	•	•	•	•	•														
0437	RESTRICTOR D: 5.75	60000648		•	•																	12/06	
	RESTRICTOR D: 4.9	60000649				•																12/06	
	RESTRICTOR D: 7	60000650	NAT					•														12/06	
	RESTRICTOR D: 6.7	60000651	NAT						•													12/06	
	RESTRICTOR D: 6.7	61013016-01	NAT			•																11/06	
	RESTRICTOR D: 8.0	61013016-08	NAT	•	•																	11/06	
0438	SCREW CLXS M 5-45	61014414		•	•	•	•	•															
0442	SCREW CBLXS M 4-20	61014415		•	•	•	•	•															
0443	GASKET (SPARK GENERATOR)	574279		•	•	•	•	•															
0444	IGNITER	61311269		•	•	•	•	•														12/06	
0449	PRESSURE TEST POINT SCREW	61016378		•	•	•	•	•															
0450	SHEET GASKET D: 24-18.2-1.5	60022835-01		•	•	•	•	•															



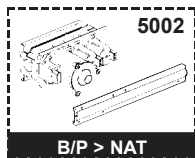
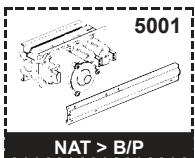
☉⇒	Description	Manf. Pt. N	Type	<div style="display: flex; justify-content: space-between; align-items: center;"> <div style="transform: rotate(-45deg); font-size: small;"> ALUDRA DELTA 24 CF ALUDRA DELTA 24 VMC ALUDRA DELTA 24 FF ALUDRA DELTA 28 CF ALUDRA DELTA 28 FF </div> <div style="border: 1px solid black; padding: 2px;">31</div> </div>																		12/06	11/06
				1	2	3	4	5	6	7	8	9	10	11	12	13	14	15	16	17	18		
0500	HYDRAULIC BLOCK																						
0501	TUBE-EXCHAN TO THREE-WAY VALVE	60000584		•	•		•													12/06			
	TUBE-EXCHAN TO THREE-WAY VALVE	61014221		•	•		•														11/06		
	TUBE-EXCHAN TO THREE-WAY VALVE	61014221				•		•															
0502	PIN	61016206-02		•	•	•	•	•															
0503	O-RING D: 5.7-1.9	60024164-10		•	•	•	•	•															
0504	O-RING D: 17-4	60024164-51		•	•	•	•	•															
0505	THREE-WAY VALVE	60000167		•	•	•	•	•															
0508	MOTOR - THREE-WAY VALVE	61302483-01		•	•	•	•	•															
0510	THERMISTOR TEMP. SENSOR	61314955		•	•	•	•	•															
0511	TEMPERATURE SENSOR CLIP	61002083		•	•	•	•	•															
0513	PIN	61304002		•	•	•	•	•															
0514	WATER / WATER HEAT EXCHANGER 16	61302409-01		•	•	•	•	•															
0516	CLIP	61010609		•	•	•	•	•															
0518	TOP INTERFACE SYSTEM	60000168		•	•	•	•	•															
0520	FLEXIBLE PIPE	61012952		•	•	•	•	•															
0522	CLIP	61010005		•	•	•	•	•															
0526	O-RING D: 8.9-2.7	61009834-14		•	•	•	•	•															
0529	HEATING FLOW TUBE	61014220		•	•	•	•	•															
0530	SHEET GASKET D: 24-17-1.5	60061855-19		•	•	•	•	•															
0531	HYDRAULIC PLATE	61014214		•	•	•	•	•															
0532	WATER THROTTLE	60081471		•	•	•	•	•															
0533	WATER THROTTLE	60000202		•	•	•	•	•															
0535	TAP BODY	61012963		•	•	•	•	•															
0540	SPINDLE	61012946		•	•	•	•	•															
0542	CLIP	60079845		•	•	•	•	•															
0548	SHEET GASKET D: 24-18.2-1.5	60022835-01		•	•	•	•	•															
0550	HEATING RETURN TUBE	61014218		•	•	•	•	•															
0551	GAS TUBE	60000583		•	•	•	•	•												12/06			
	GAS TUBE	60000169		•	•	•	•	•													11/06		
0552	PLUG	61015245		•	•	•	•	•															
0553	O-RING D: 8.9-1.9	60024164-13		•	•	•	•	•															
0554	WATER FILTER	61007727		•	•	•	•	•															
0558	PUMP LEAD (2 SPEEDS)	61306995		•	•	•	•	•															
0561	BOTTOM INTERFACE SYSTEM	61014172		•	•	•	•	•															
0562	TEMPERATURE PROBE + CLIP	990686		•	•	•	•	•															
0564	O-RING D: 24.6-3.6	61009834-30		•	•	•	•	•															
0565	HEATING FILTER	61305560		•	•	•	•	•															
0567	CLIP	60030898-03		•	•	•	•	•															
0569	EXCHANGER GASKET	65104334		•	•	•	•	•															
0570	TUBE : PUMP TO HEAT EXCHANGER	61015360		•	•	•	•	•															
0571	O-RING D: 16-1.9	61009833-37		•	•	•	•	•															
0572	PUMP + AIR SEPARATOR 15/50	61301964		•	•	•	•	•															
	PUMP + AIR SEPARATOR 15/60	61303461		•	•	•	•	•															
0573	CAPACITOR	61000652-10		•	•	•	•	•															
0574	GASKET KIT	61304618		•	•	•	•	•															
0575	PLUG	61010485		•	•	•	•	•															
0582	CYLINDER 6L	61012790		•	•	•	•	•															
0583	LINKING TUBE	61012808		•	•	•	•	•															
0584	NUT	61012886		•	•	•	•	•															
0586	CLIP	61012983		•	•	•	•	•															
0587	WASHER D: 12.5-5.2-5	61015757		•	•	•	•	•															
0588	AIR SEPARATOR HEAD ASSEMBLY	61304608		•	•	•	•	•															
0589	STOPPED WATER THROTTLE BODY	61012743		•	•	•	•	•															
0590	COLD WATER TUBE	60000170		•	•	•	•	•															
0591	SCREW CBLZ M 4-8	60057750		•	•	•	•	•															
0593	NUT H M 6-1	60026501-03		•	•	•	•	•															
0594	O-RING D: 2.7-10.5	61009834-15		•	•	•	•	•															
0595	SHEET GASKET D: 12-8.1-1	60061853-05		•	•	•	•	•															
0596	PRESSURE RELIEF VALVE 7 BARS	60000171		•	•	•	•	•															



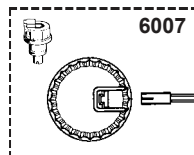
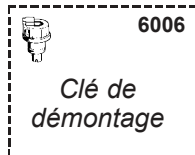
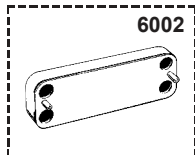
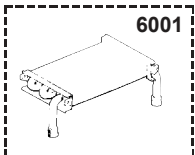
☉⇒	Description	Manf. Pt. N	Type	ALUDRA DELTA 24 CF ALUDRA DELTA 24 VMC ALUDRA DELTA 24 FF ALUDRA DELTA 28 CF ALUDRA DELTA 28 FF																		31
				1	2	3	4	5	6	7	8	9	10	11	12	13	14	15	16	17	18	
0600	ELECTRICAL BOX																					
0606	BASE PLATE	60000222		•	•	•	•	•														
0607	IGNITER	61002105-20		•	•	•	•	•												11/06		
0608	IGNITOR CABLE	60000173		•	•	•	•	•														
0609	CONNECTOR COVER	61010014		•	•	•	•	•														
0610	FAN CABLE	61313441					•	•														
0611	WIRE ASSEMBLY	60000174					•	•												11/06		
	WIRE ASSEMBLY	60000183		•			•	•												11/06		
	WIRE ASSEMBLY	60000580		•			•	•												12/06		
	WIRE ASSEMBLY	60000581					•	•												12/06		
	WIRE ASSEMBLY	60000582					•	•												12/06		
	WIRE ASSEMBLY	60000185					•	•												11/06		
0612	CONNECTION STRIP	61010152		•	•	•	•	•														
0613	CABLE (P.C.B.)	60000179		•	•	•	•	•														
0614	ELECTRICAL BOX COVER	61010007		•	•	•	•	•														
0615	PRINTED CIRCUIT BOARD	60000175		•	•	•	•	•												11/06		
	PRINTED CIRCUIT BOARD	60000570		•	•	•	•	•												12/06		
0616	PRINTED CIRCUIT BOARD (DISPLAY)	60000486		•	•	•	•	•														
0617	ELECTRIC BOX PLATE	60000177		•	•	•	•	•														
0619	PROTECTIVE PLATE	61010239		•	•		•	•														
0628	DOOR	60000178		•	•	•	•	•														
0632	CLOSURE PLATE	61304599		•	•	•	•	•														
0638	CABLE THREE WAY VALVE	61305096		•	•	•	•	•														
0644	CONNECTING TERMINAL	61308032		•	•	•	•	•														
0650	WHITE KNOB	61312930		•	•	•	•	•														
0651	CONTROL FACIA	60000180		•	•	•	•	•														
0700	CHASSIS																					
0701	TOP STAY PLATE	61010029		•	•	•	•	•														
0703	EXPANSION VESSEL	60056676-06		•	•	•	•	•														
0709	FLEXIBLE PIPE KIT	60081824		•	•	•	•	•														
0712	SHEET GASKET D: 12-6-2	61308868		•	•	•	•	•														
0713	CLIP	61010005		•	•	•	•	•														
0714	O-RING D: 8.9-2.7	61009834-14		•	•	•	•	•														
0800	FRONT CASE																					
0802	CASE	60000181		•	•	•	•	•														
0805	PRESSURE GAUGE	61303158		•	•	•	•	•														
0813	SPACER	61015797		•	•	•	•	•														
0820	O RING D: 5.7-1.9	61009834-10		•	•	•	•	•														
0825	CLIP	61002406		•	•	•	•	•														



5000



6000



☉➔	Description	Manf. Pt. N	Type	<div style="display: flex; justify-content: space-between; align-items: center;"> <div style="writing-mode: vertical-rl; transform: rotate(180deg); font-size: small;"> ALUDRA DELTA 24 CF ALUDRA DELTA 24 VMC ALUDRA DELTA 24 FF ALUDRA DELTA 28 CF ALUDRA DELTA 28 FF </div> <div style="border: 1px solid black; padding: 2px;">31</div> </div>																	
				1	2	3	4	5	6	7	8	9	10	11	12	13	14	15	16	17	18
0900	JIG PLATE & PIPE FITTING																				
0902	WATER FLOW SERVICE TAP	61020388		•	•	•	•														
0903	HOT WATER CONNECTION	61020916		•	•	•	•														
0904	GAS SERVICE TAP	61020389		•	•	•	•														
0905	COLD WATER TAP	61302612		•	•	•	•														
0906	WATER RETURN SERVICE TAP	61302614		•	•	•	•														
0907	WALL HOOK	61002497		•	•	•	•														
0908	WASHER D: 14.2-7.2-1.2	60005369-03		•	•	•	•														
0909	WOOD SCREW	60025617-03		•	•	•	•														
0911	DISCONNECTOR TUBE	61010065		•	•	•	•														
0912	O-RING D: 6-1	60024164-41		•	•	•	•														
0913	SHEET GASKET D: 14.8-10.3-1.5	60061854-11		•	•	•	•														
0914	NUT 3/8» THICK: 11	60020746-20		•	•	•	•														
0915	CONNECTING PIPE	60001574		•	•	•	•														
0916	TUBE PVC D: 9x12 L: 1M	60081266		•	•	•	•														
0917	SHEET GASKET D: 24-17-1.5	60061855-19		•	•	•	•														
0918	LOCK NUT	60031140		•	•	•	•														
0919	FLOW REGULATORE 7L/MIN(DARK GREEN)	61002775-07		•	•	•	•														
	FLOW REGULATORE 8L/MIN (WHITE)	61002775-08		•	•	•	•														
	FLOW REGULATORE 10L/MIN (BLUE)	61002775-10		•	•	•	•														
	FLOW REGULATORE 12L/MIN (RED)	61002775-12		•	•	•	•														
	FLOW REGULATORE 14L/MIN (PINK)	61002775-14		•	•	•	•														
	FLOW REGULATORE 15L/MIN (PALE GREEN)	61002775-15		•	•	•	•														
0920	CONTRODADO H 1/2	60031139		•	•	•	•														
0921	SHEET GASKET D: 24-18.2-1.5	60022835-01		•	•	•	•														
0922	HAND LEVER BLACK	61302611		•	•	•	•														
0923	HAND LEVER YELLOW	61302610		•	•	•	•														
0925	DRAIN SCREW ASSY	60081028		•	•	•	•														
0927	PRESSURE TEST POINT SCREW	61016378		•	•	•	•														
0928	DISCONNECTOR KIT	60081664		•	•	•	•														
0929	NUT H M 10-1	60031825-08		•	•	•	•														
0930	SHEET GASKET D: 8.5-4.1-1.5	60061852-12		•	•	•	•														
0931	GRUB SCREW	61304327		•	•	•	•														
0936	O-RING D: 13.6-2.7	61009834-18		•	•	•	•														
0937	TUBE PVC D: 13x17 L: 1M	60081266-02		•	•	•	•														
0938	PRESSURE RELIEF VALVE	61020933		•	•	•	•														
0939	WASHER D: 18.4-12.2-1.5	60061855-14		•	•	•	•														
0940	NUT 1/2» THICK: 10	60020747-68		•	•	•	•														
0941	VALVE CONNECTING PIPE	60047727		•	•	•	•														
0942	FILLER NECK	61020885		•	•	•	•														
0943	ACCESSORY KIT	61011652		•	•	•	•														
0948	GREY KNOB	61302613		•	•	•	•														
0950	TAP HEAD	61314798		•	•	•	•														
0952	CONNECTION	60000201		•	•	•	•														
5000	ACCESSORIES																				
5001	CONVERSION KIT NAT > LPG	60000612					•										12/06				
	CONVERSION KIT NAT > LPG	60000614					•										12/06				
	CONVERSION KIT NAT > LPG	60000617		•	•	•											12/06				
	CONVERSION KIT NAT > LPG	61018431		•	•	•												11/06			
	CONVERSION KIT NAT > LPG	61018432					•											11/06			
	CONVERSION KIT NAT > LPG	61018433					•											11/06			
5002	CONVERSION KIT LPG > NAT	60000609				•											12/06				
	CONVERSION KIT LPG > NAT	60000611		•													12/06				
	CONVERSION KIT LPG > NAT	60000613					•										12/06				
	CONVERSION KIT LPG > NAT	60000615					•										12/06				
	CONVERSION KIT BUT/PROP > NAT	61018427		•	•		•											11/06			
	CONVERSION KIT BUT/PROP > NAT	61018428				•												11/06			
	CONVERSION KIT LPG > NAT	61018429					•											11/06			
6000	MAINTENANCE																				
6001	DESCALING INTERFACE/HEAT EXCHA	61014100		•	•	•	•														
6002	DESCALING INTERFACE/WATER EXCH	61011075		•	•	•	•														
6006	SPANNER	61302650		•	•	•	•														
6007	STOPPED W/THROT. CONNECTOR KIT	61306970		•	•	•	•														

LIST OF THE ABBREVIATIONS

HW	: Hot water.
CW	: Cold water.
C	: Ceramic resistance (normal heating).
Ca	: Ceramic resistance (accelerated heating)
TP	: Immersion heater.
1F	: With fittings.
2F	: Without fittings.
3F	: With fittings and another outlet connection.
AMI	: With mixing valve.
SMI	: Without mixing valve.
PUISS	: Power of th appliance.
PN	: Appliance with normal pression.
LP	: Appliance with low pression.
PV	: Appliance with variable power.
PF	: Appliance with fixed power.

IDENTIFICATION PLATE

SERIAL NUMBER

10 Characters :	04 05 125 011		
		Sequential number	
		Manufacturing day	
		Year of manufacture	
11 Characters :	1 95 065004 - 31		
Month of manufacture :		Technical number of the appliance	
from 1 to 9 → Jan. to Sep.,		Sequential number	
O → Oct., N → Nov.,		Year of manufacture	
D → Dec.			
19 Characters :	08 05 0013199 900640031		
Year of manufacture		Product reference	
Month of manufacture		Sequential number	
20 Characters :	3675007 XX 2 07 070 00315		
Product reference		Sequential number	
Millenium of manufacture		Manufacturing day	
		Year of manufacture	
21 Characters :	3675007 XX 07 070 0000315		
Product reference		Sequential number	
Year of manufacture		Manufacturing day	

The indications mentioned on the prices, commercial or technical literature and the scheme are written for your guidance and are available at a given time. The CONSTRUCTOR retains the power to modify the presentation, the form, the size, the conception or the material of the products.