

## SPARE PARTS EXPLODED VIEW GAS WALL BOILERS

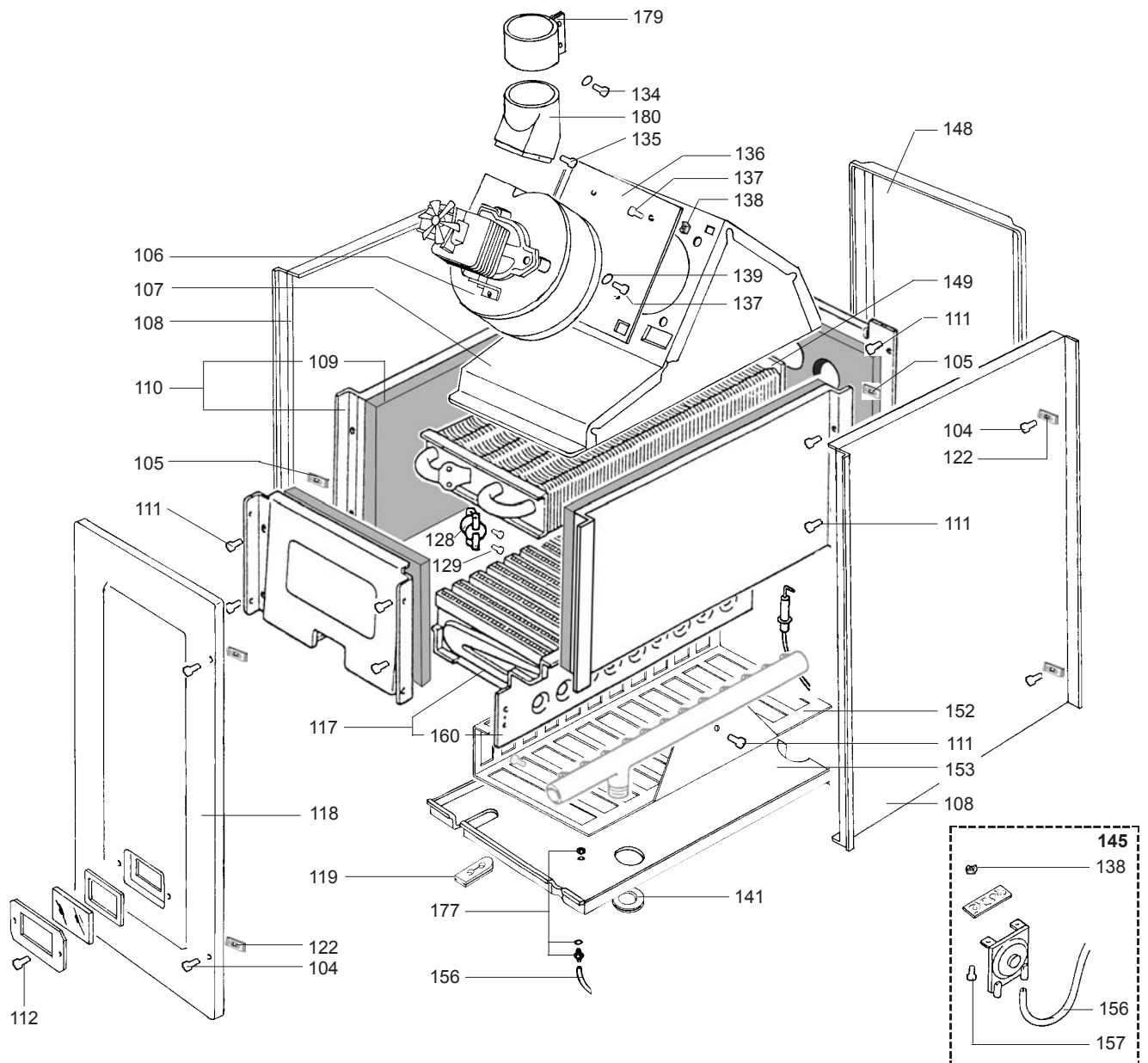
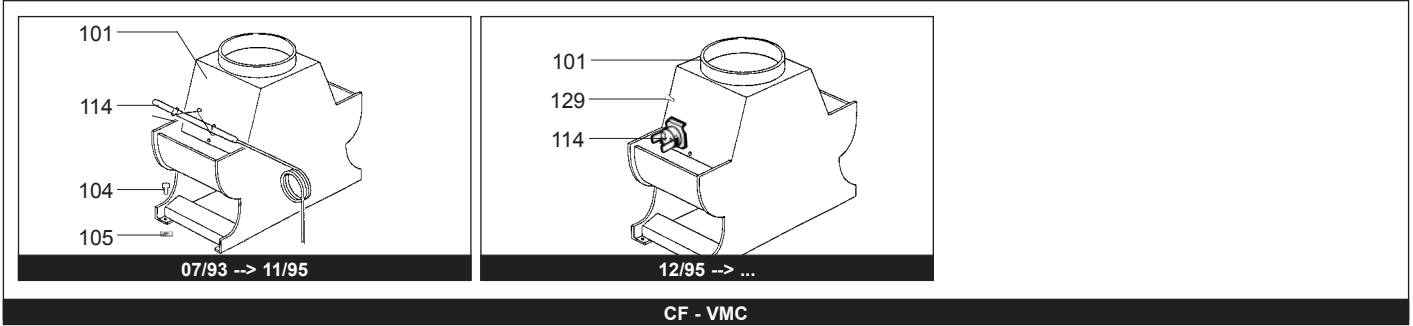
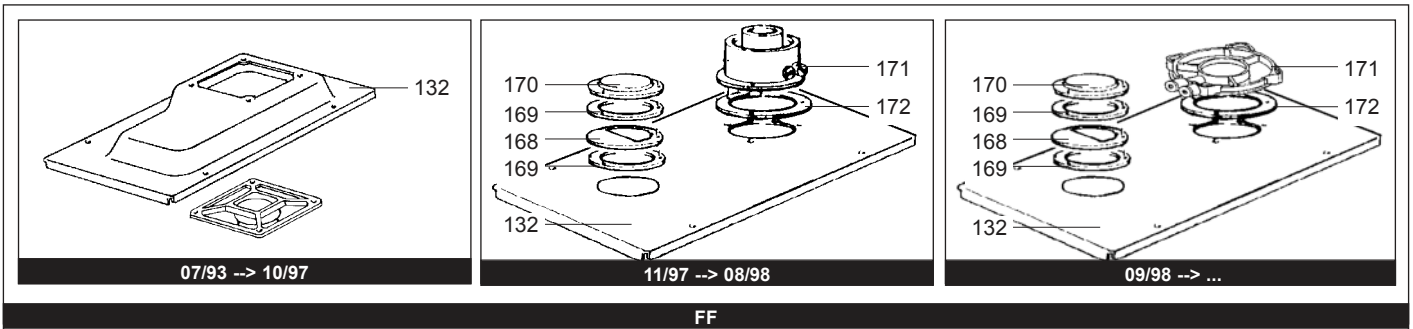
Model

**NIAGARA**

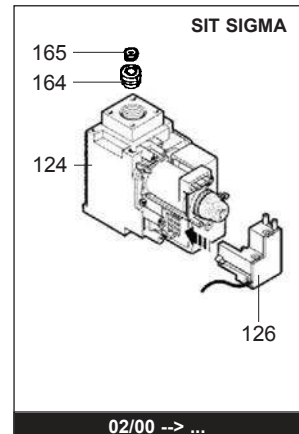
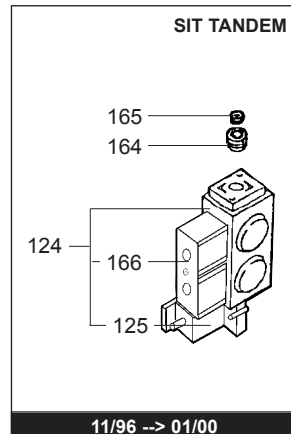
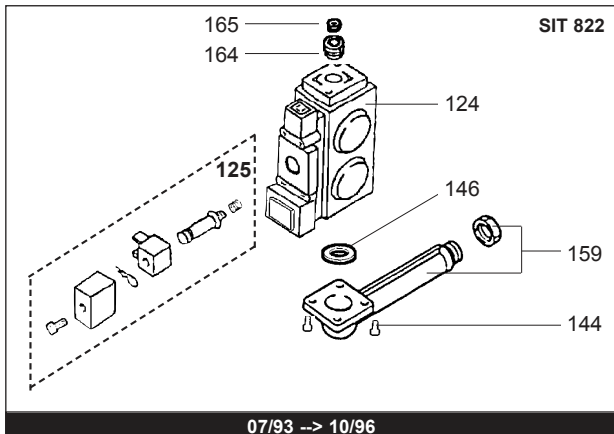
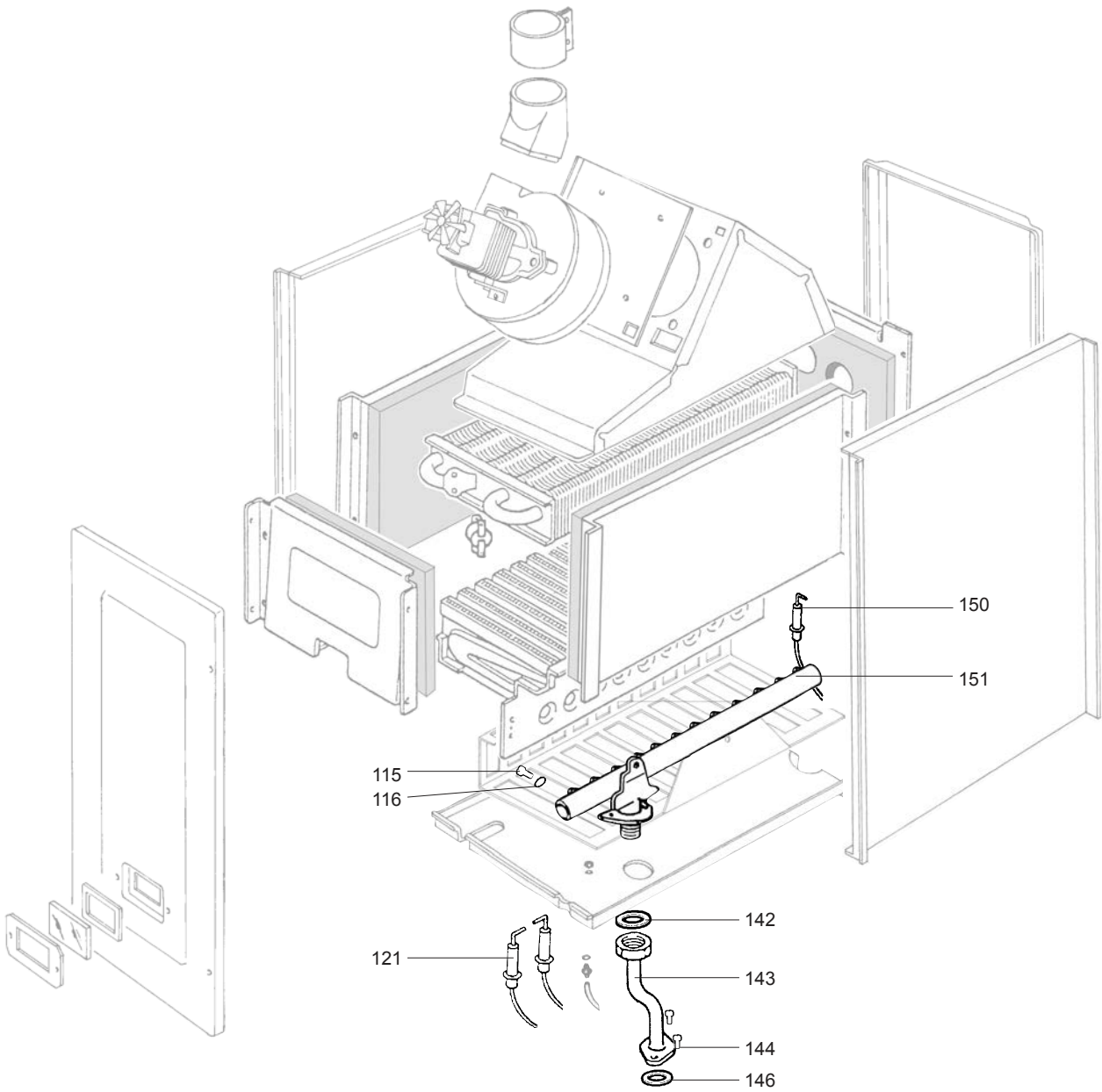
R8202218-07 - 21/03/2012

1	245831	NIAGARA 28 CF NAT	07/93	10/96
1	800245831	NIAGARA 28 CF NAT	11/96	08/98
1	800249131	NIAGARA 28 CF NAT	09/98	12/01
1	245821	NIAGARA 28 CF B/P	07/93	10/96
1	800245821	NIAGARA 28 CF B/P	11/96	08/98
1	800249121	NIAGARA 28 CF B/P	09/98	12/01
2	245837	NIAGARA 28 FF NAT	09/93	10/96
2	800245837	NIAGARA 28 FF NAT	11/96	10/97
2	800245838	NIAGARA 28 FF NAT	11/97	08/98
2	800249138	NIAGARA 28 FF NAT	09/98	12/01
2	245827	NIAGARA 28 FF B/P	09/93	10/96
2	800245827	NIAGARA 28 FF B/P	11/96	10/97
2	800245828	NIAGARA 28 FF B/P	11/97	08/98
2	800249128	NIAGARA 28 FF B/P	09/98	12/01
3	245731	NIAGARA 23 CF NAT	12/95	10/96
3	800245731	NIAGARA 23 CF NAT	11/96	08/98
3	800247731	NIAGARA 23 CF NAT	09/98	12/01
3	245721	NIAGARA 23 CF B/P	12/95	10/96
3	800245721	NIAGARA 23 CF B/P	11/96	08/98
3	800247721	NIAGARA 23 CF B/P	09/98	12/01
4	245736	NIAGARA 23 VMC NAT	12/95	10/96
4	800245736	NIAGARA 23 VMC NAT	11/96	08/98
4	800247736	NIAGARA 23 VMC NAT	09/98	12/01
5	800245737	NIAGARA 23 FF NAT	11/96	10/97
5	800245738	NIAGARA 23 FF NAT	11/97	08/98
5	800247738	NIAGARA 23 FF NAT	09/98	12/01
5	800245727	NIAGARA 23 FF B/P	11/96	10/97
5	800245728	NIAGARA 23 FF B/P	11/97	08/98
5	800247728	NIAGARA 23 FF B/P	09/98	12/01

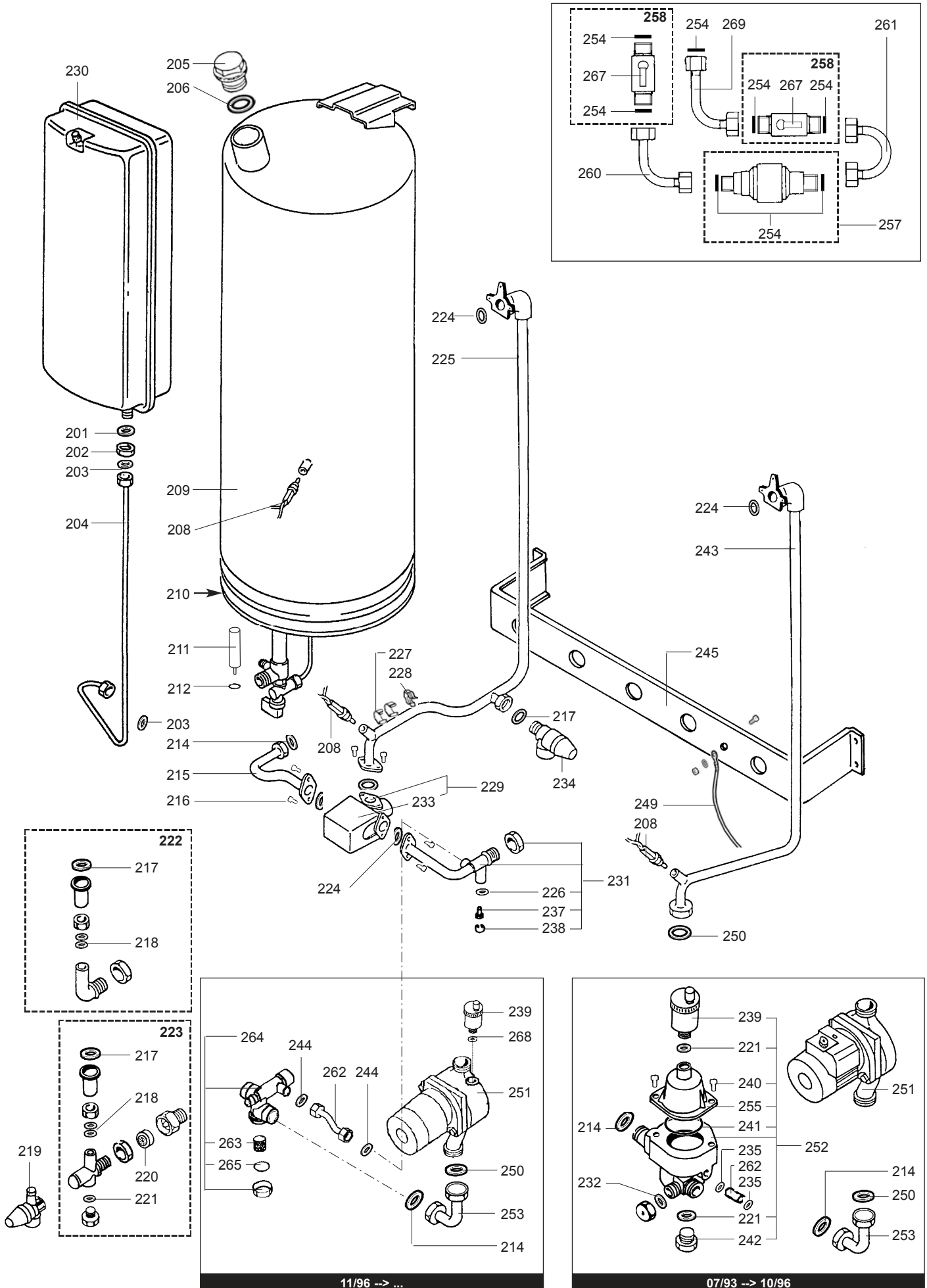
Col	Reference	Model type	Begin	End
-----	-----------	------------	-------	-----



☉⇒	Description	Manf. Pt. N	Type	<div style="display: flex; justify-content: space-between; align-items: center;"> <div style="transform: rotate(-45deg); font-size: 8px; white-space: nowrap;">           NIAGARA 28 CF            NIAGARA 28 FF            NIAGARA 23 CF            NIAGARA 23 MMC            NIAGARA 23 FF         </div> <div style="border: 1px solid black; padding: 2px;">           31         </div> </div>																		1	2	3	4	5	6	7	8	9	10	11	12	13	14	15	16	17	18		
0100	<b>BURNER ASSEMBLY</b>																																								
0101	DRAUGHT DIVERTER	60084291						●																																	
	DRAUGHT DIVERTER	60084299		●																																					
	DRAUGHT DIVERTER	60084300					●																																		
0104	TAPPING SCREW D: 4.2-13	60084035		●	●	●	●	●																																	
0105	SPIRE CLIP	60084036		●	●	●	●	●																																	
0106	FAN ASSY	60084015						●																																	
	CABLE (/ Fan assy)	60084161						●													07/93	10/96																			
	CABLE (/ Fan assy)	60084536						●			●										11/96	08/98																			
	CABLE (/ Fan assy)	60084659						●			●										09/98																				
0107	FLUE DUCT FIRST SECTION	60084573						●			●										07/93																				
0108	CASE SIDE PANEL	60084171						●			●																														
0109	INSULATING PLATES	60084050		●	●	●	●	●																																	
0110	COMBUSTION CHAMBER	60084049		●	●	●	●	●																																	
0111	TAPPING SCREW CBLX D: 4.2-9.5	61010125		●	●	●	●	●																																	
0112	TAPPING SCREW CBLZ D: 3.5-9.5	60054033						●			●																														
0114	OVERHEAT THERMOSTAT	60084156		●																	07/93	11/95																			
	OVERHEAT THERMOSTAT 70C	60084292		●			●														12/95																				
	OVERHEAT THERMOSTAT 50C	60084318									●										12/95																				
0117	BURNER HEAD	60084302		●	●	●	●	●																																	
0118	CASE COVER ASSEMBLY	60084182						●			●																														
	GASKET	60084189						●			●																														
0119	GROMMET	60084177						●			●																														
0122	SPIRE CLIP	60084174						●			●																														
0128	OVERHEAT THERMOSTAT 105C	60084020		●	●	●	●	●																																	
	CABLE (/Overheat thermostat)	60084034		●	●																07/93	11/95																			
	CABLE (/Overheat thermostat)	60084278		●	●	●	●														12/95	10/96																			
	CABLE (/Therm.-safety-modula.)	60084543		●	●	●	●	●													11/96	01/00																			
	CABLE (/Therm.-safety-modula.)	60084625		●	●	●	●	●													02/00																				
0129	TAPPING SCREW D: 2.9-6.5	60084045		●	●	●	●	●																																	
0132	CASE TOP PANEL	60084162						●			●										07/93	10/97																			
	CASE TOP PANEL	60084554						●			●										11/97	08/98																			
	CASE TOP PANEL	60084585						●			●										09/98																				
0134	TAPPING SCREW CBLZ D: 4.2-13	60079486						●			●																														
0135	SCREW M 6-8	60084167						●			●																														
0136	PLATE	60084168						●			●																														
0137	TAPPING SCREW D: 4.2-9.5	60084032		●	●	●	●	●																																	
0138	TRAPPED NUT M 4	60084169						●			●																														
0139	WASHER	60084031		●	●	●	●	●																																	
0141	GROMMET	60084184						●			●																														
0145	AIR PRESSURE SWITCH KIT	60084210						●			●										07/93	10/97																			
	AIR PRESSURE SWITCH KIT	60084568						●			●										11/97																				
0148	CASE REAR PANEL	60084172						●			●																														
0149	HEAT EXCHANGER (106 LAMELLES)	61007725		●	●	●	●	●																																	
0152	GRILLE	60084048		●		●	●																																		
0153	BASE - CASE	60084175						●			●										07/93	10/97																			
	GASKET	60084176						●			●																														
	BASE - CASE	60084558						●			●										11/97																				
0156	SILICONE TUBE D: 4x7 L: 1M40	60081265-03						●			●																														
0157	SCREW M 4-12	60042585-02						●			●																														
0160	CROSS LIGHTING STRIP	60084257		●	●	●	●	●																																	
0168	RESTRICTOR	60084549						●			●										11/97	08/98																			
	RESTRICTOR	60084583						●			●										09/98																				
0169	GASKET	60084553						●			●										11/97																				
0170	CLOSURE PLATE	60084552						●			●										11/97																				
0171	FLUE ADAPTOR	60084550						●			●										11/97	08/98																			
	FLUE ADAPTOR	60084600						●			●										09/98																				
0172	GASKET	60084584						●			●										11/97																				
0177	CONNECTION	60084559						●			●										11/97																				
0179	CONNECTION	60084159						●			●										07/93	10/97																			
	CONNECTION	60084586						●			●										11/97																				
0180	BEND + VENTURI	60084631						●			●										11/97																				



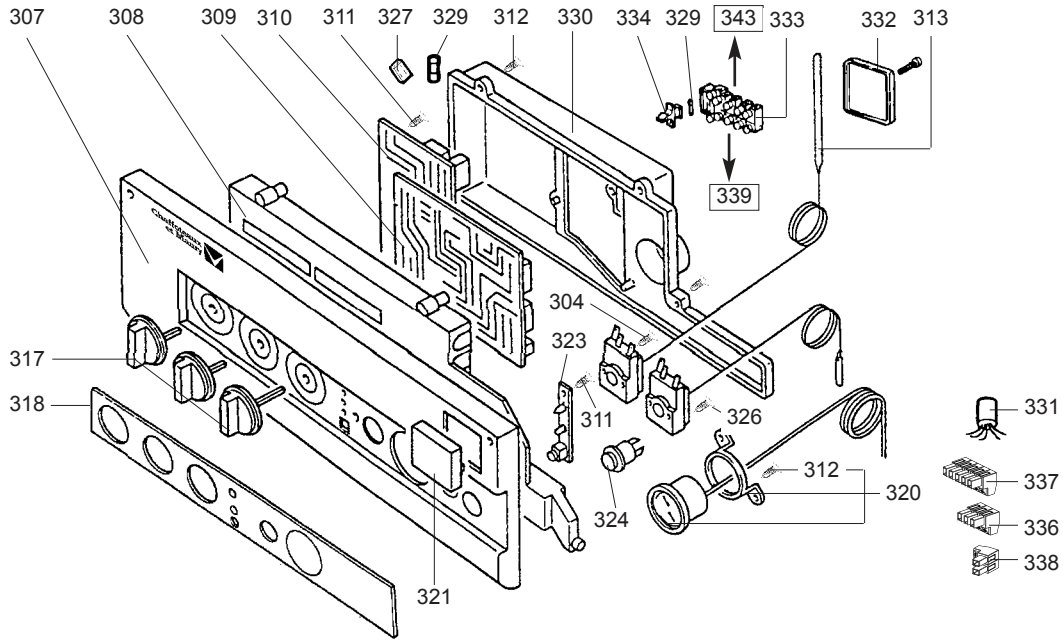




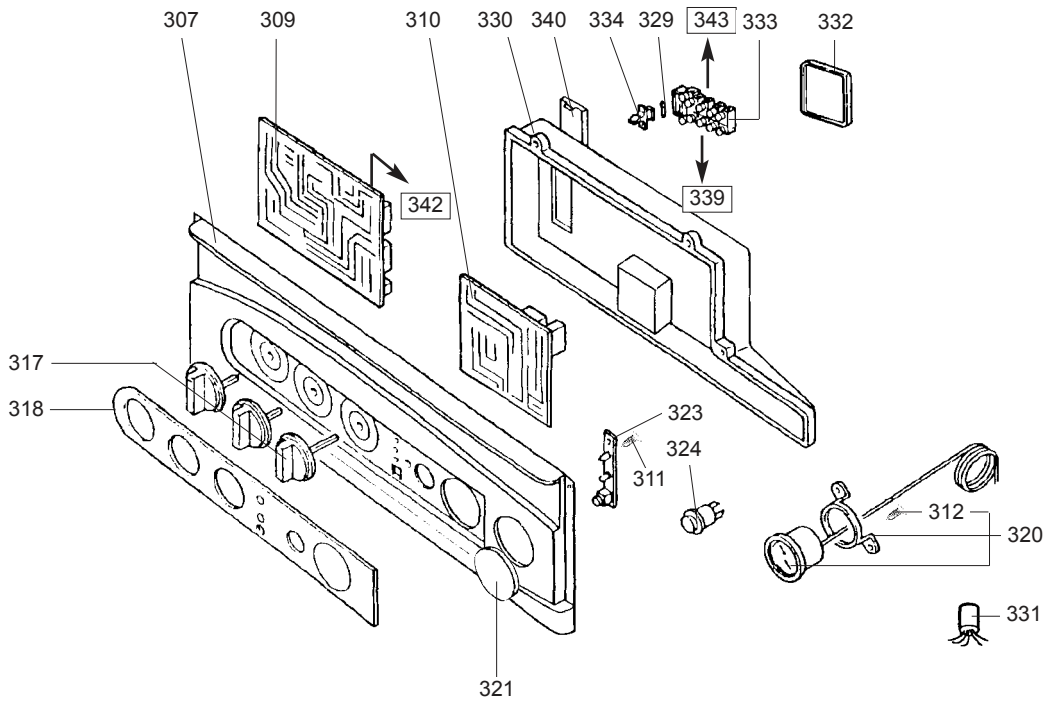
11/96 -> ...

07/93 -> 10/96





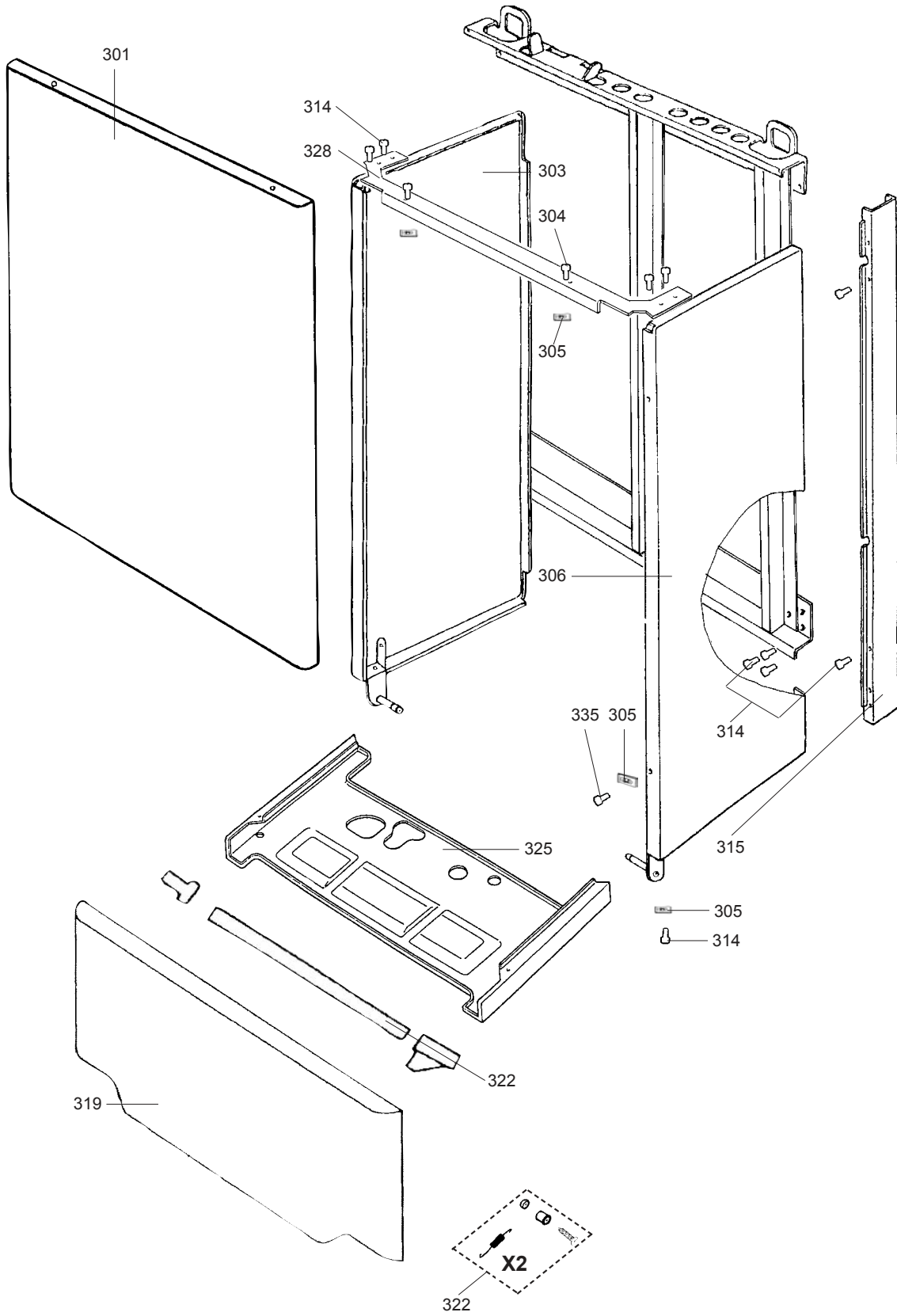
07/93 --> 08/98



09/98 --> ...

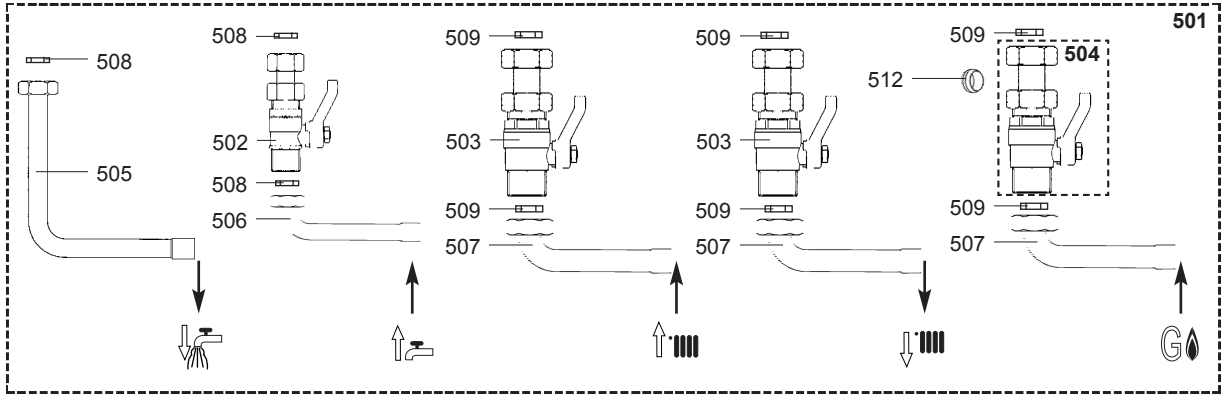




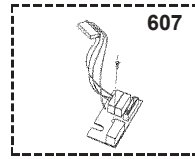
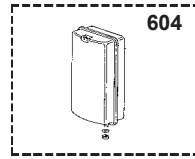
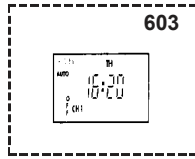
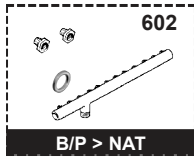
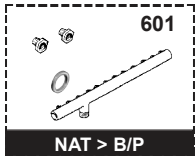




500



600



NIAGARA

Domestic Gas Boilers

☉⇒	Description	Manf. Pt. N	Type	<div style="display: flex; justify-content: space-between; font-size: small;"> <span>NIAGARA 28 CF</span> <span>NIAGARA 28 FF</span> <span>NIAGARA 23 CF</span> <span>NIAGARA 23 MMC</span> </div>																		31
				1	2	3	4	5	6	7	8	9	10	11	12	13	14	15	16	17	18	
<b>0500</b>	<b>JIG PLATE &amp; PIPE FITTING</b>																					
0501	CONNECTION KIT	61017396		•	•	•	•	•														
0502	COLD WATER SERVICE TAP KIT	60084250		•	•	•	•	•														
0503	WATER FLOW & RETURN SERVI. TAP	60084251		•	•	•	•	•														
0504	GAS SERVICE TAP KIT	60084252		•	•	•	•	•														
0505	HOT WATER PIPE	60084253		•	•	•	•	•														
0506	COLD WATER PIPE	60084254		•	•	•	•	•														
0507	WATER FLOW & RETURN-GAS PIPE	60084255		•	•	•	•	•														
0508	GASKET D:18-12-2	60084258		•	•	•	•	•														
0509	GASKET D: 24-17-2	60084259		•	•	•	•	•														
0512	COMPRESSION OLIVE D: 18	60001095		•	•	•	•	•														
<b>0600</b>	<b>ACCESSORIES</b>																					
0601	CONVERSION KIT NAT > LPG	60084149		•	•															07/93	11/95	
	CONVERSION KIT NAT > LPG	60084314		•	•															12/95	01/00	
	CONVERSION KIT NAT > LPG	60084321				•		•												12/95	01/00	
	CONVERSION KIT NAT > LPG	61303170		•	•															02/00		
	CONVERSION KIT NAT > LPG	61303171				•		•												02/00		
0602	CONVERSION KIT BUT/PROP > NAT	60084150		•																07/93	11/95	
	CONVERSION KIT BUT/PROP > NAT	60084207			•															07/93	11/95	
	CONVERSION KIT BUT/PROP > NAT	60084315		•																12/95	01/00	
	CONVERSION KIT BUT/PROP > NAT	60084316			•															12/95	01/00	
	CONVERSION KIT BUT/PROP > NAT	60084322				•		•												12/95	01/00	
	CONVERSION KIT BUT/PROP > NAT	61303550		•																02/00		
	CONVERSION KIT BUT/PROP > NAT	61303551			•															02/00		
	CONVERSION KIT BUT/PROP > NAT	61303552				•		•												02/00		
0603	DIGITAL TIMECLOCK	61008962		•	•	•	•	•												07/93	08/98	
	MECANICAL TIMECLOCK	61016745		•	•	•	•	•												09/98		
0604	EXPANSION VESSEL KIT	61008966		•	•	•	•	•														
0607	PHASE INSULATOR KIT	60084619		•	•	•	•	•												11/96	08/98	

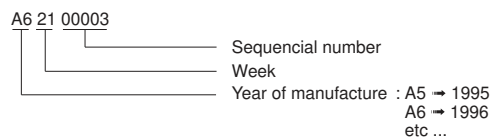
## LIST OF THE ABBREVIATIONS

HW .....	: Hot water.
CW .....	: Cold water.
C .....	: Ceramic resistance (normal heating).
Ca .....	: Ceramic resistance (accelerated heating)
TP .....	: Immersion heater.
1F .....	: With fittings.
2F .....	: Without fittings.
3F .....	: With fittings and another outlet connection.
AMI .....	: With mixing valve.
SMI .....	: Without mixing valve.
PUISS .....	: Power of th appliance.
PN .....	: Appliance with normal pression.
LP .....	: Appliance with low pression.
PV .....	: Appliance with variable power.
PF .....	: Appliance with fixed power.

## IDENTIFICATION PLATE

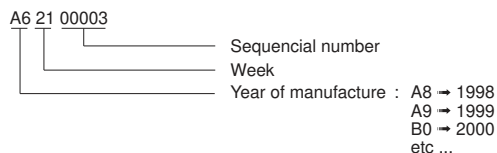
### SERIAL NUMBER

9 Characters :

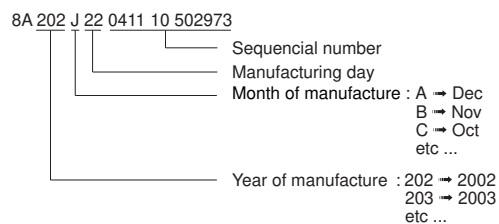


OR

9 Characters :



20 Characters :



The indications mentioned on the prices, commercial or technical literature and the scheme are written for your guidance and are available at a given time. The CONSTRUCTOR retains the power to modify the presentation, the form, the size, the conception or the material of the products.