

SPARE PARTS EXPLODED VIEW GAS-WALL BOILER ATM. BURNER

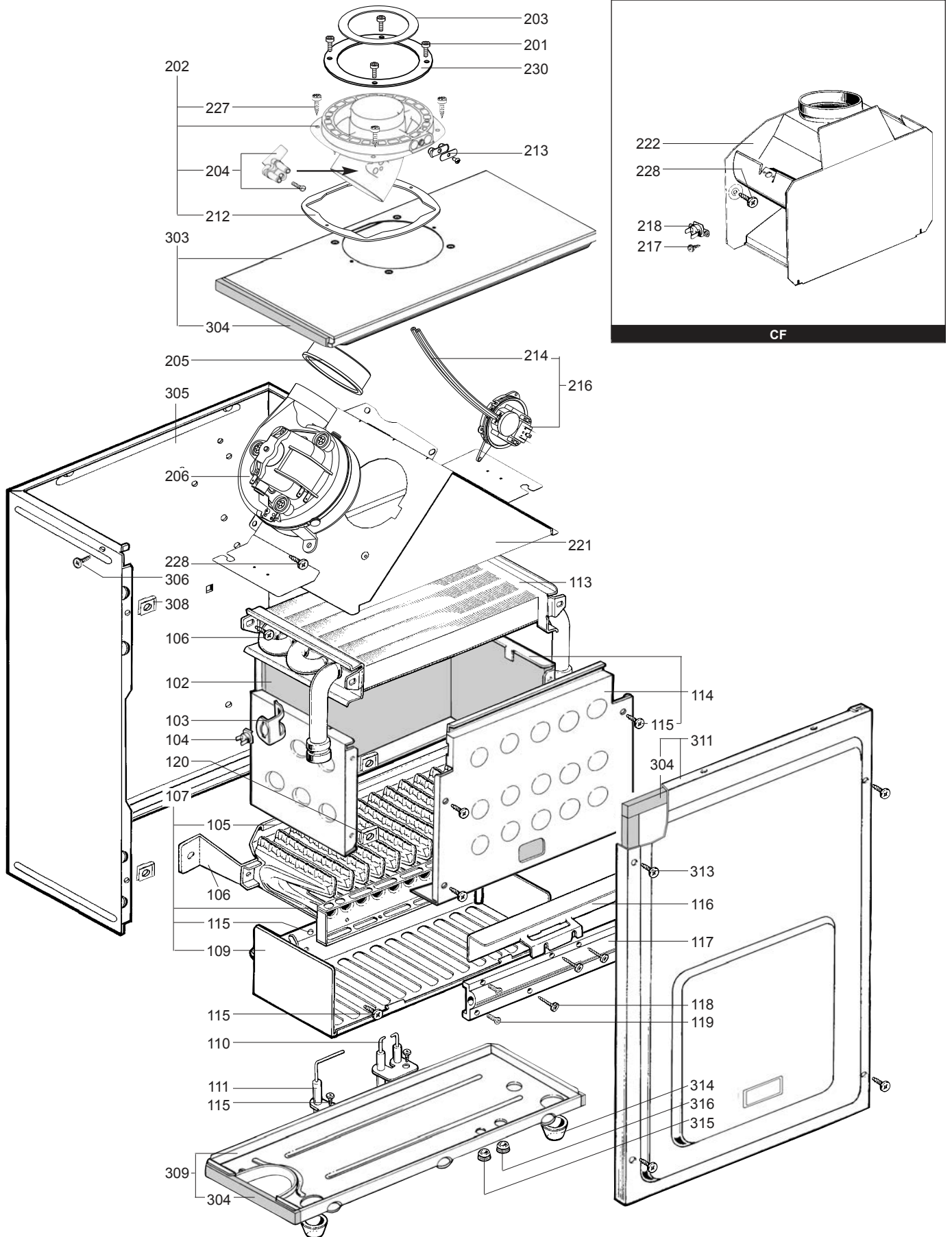
Model

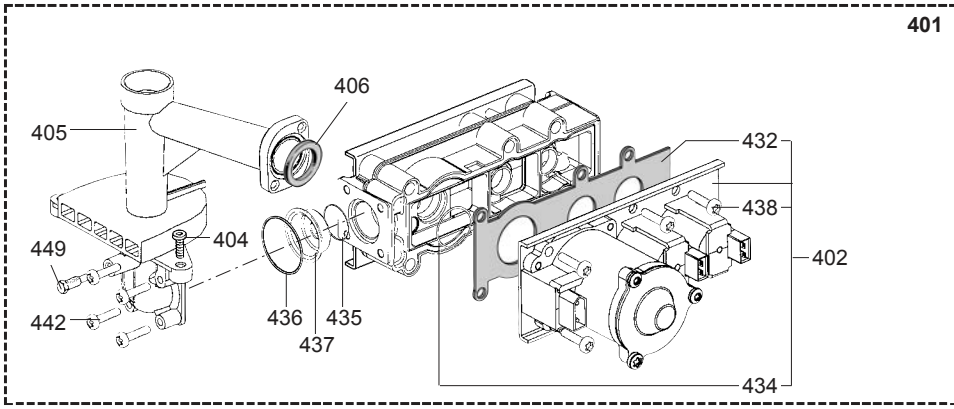
ELEXIA COMFORT

R8202555-06 - 16/01/2014

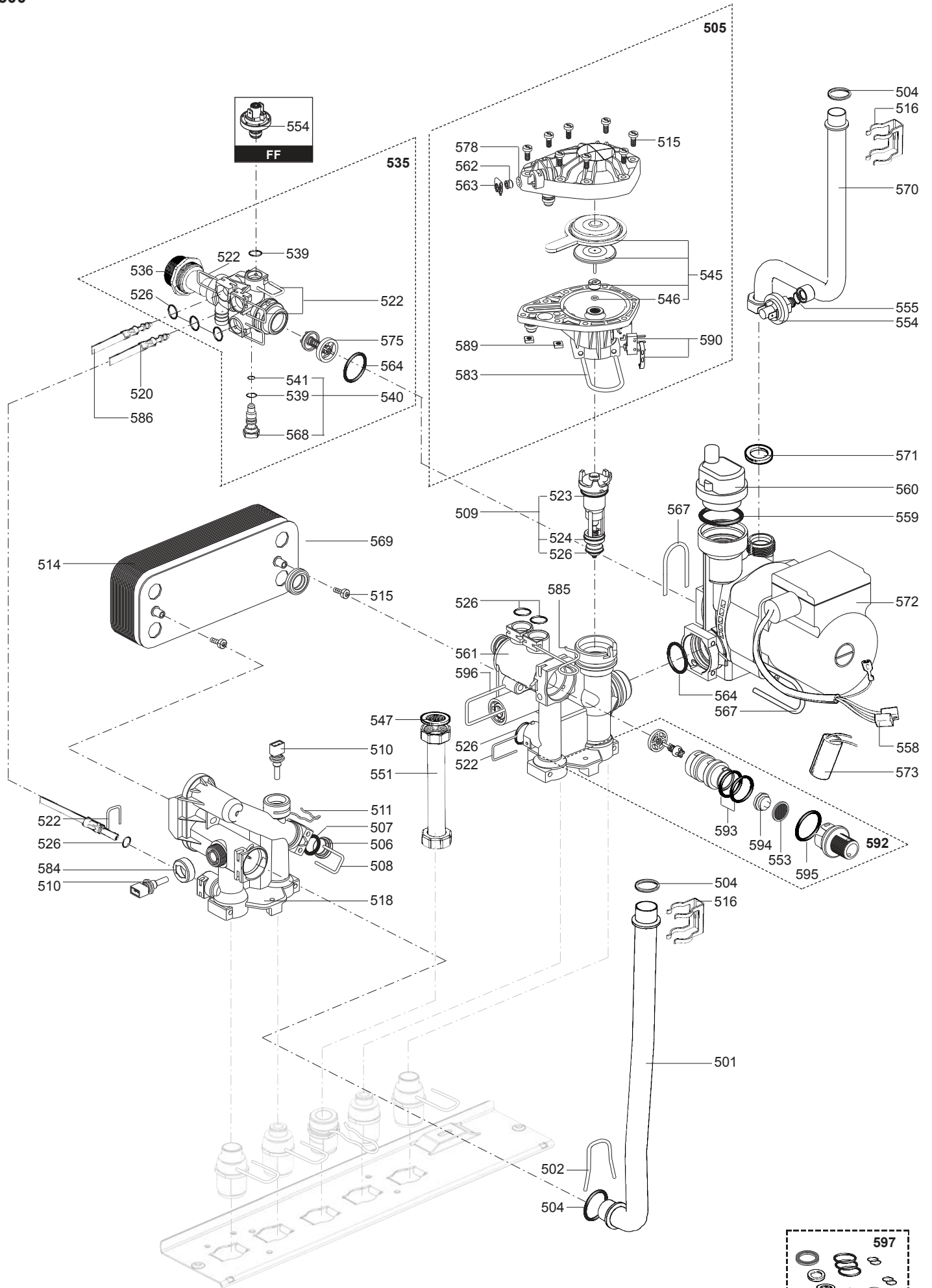
1	205406774031	ELEXIA COMFORT 24 CF N EU	10-2000	12-2007
1	205406774021	ELEXIA COMFORT 24 CF P EU	05-2001	01-2008
2	205406774037	ELEXIA COMFORT 24 FF N EU	10-2000	01-2008
2	205406774027	ELEXIA COMFORT 24 FF P EU	06-2001	12-2007

Col	Reference	Model type	Begin	End
-----	-----------	------------	-------	-----

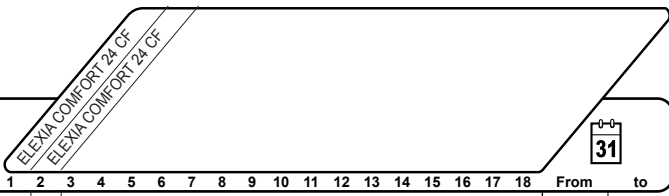




☉➔	Description	Manf. Pt. N	Type	ELEXIA COMFORT 24 CF																		
				1	2	3	4	5	6	7	8	9	10	11	12	13	14	15	16	17	18	From
0400	GAS SECTION																					
0401	GAS VALVE LPG	61014775	B/P	•																		
	GAS VALVE NAT	61013015	NAT		•																	
	GAS VALVE NAT	61304994	NAT	•																		
0402	SOLENOID VALVES KIT LPG	60081860	B/P	•	•																	
	SOLENOID VALVES KIT NAT	60081859	NAT	•	•																	
0404	SCREW HX M 5-12	61010131		•	•																	
0405	BURNER BASE KIT	60081835		•	•																	
0406	GASKET (/Manifold)	61010071		•	•																	
0410	FOAM SEAL 12x7 L: 5M	60081273-04		•	•																	
0412	GAS SECTION GASKETS KIT	60081837		•	•																	
0432	GASKET (/Solenoid valve)	61013018		•	•																	
0434	O-RING D: 14.1-1.6	60021061-41		•	•																	
0435	O-RING D: 17.1-1.6	60021061-42		•	•																	
0436	O-RING D: 22-2.6	60021061-40		•	•																	
0437	RESTRICTOR D: 6.7	61013016-01	B/P	•	•																	
	RESTRICTOR D: 6.7	61013016-01	NAT		•																	
	RESTRICTOR D: 8.0	61013016-08	B/P	•	•																	
	RESTRICTOR D: 8.0	61013016-08	NAT	•	•																	
0438	SCREW CLXS M 5-45	61014414		•	•																	
0442	SCREW CBLXS M 4-20	61014415		•	•																	
0449	PRESSURE TEST POINT SCREW	61016378		•	•																	



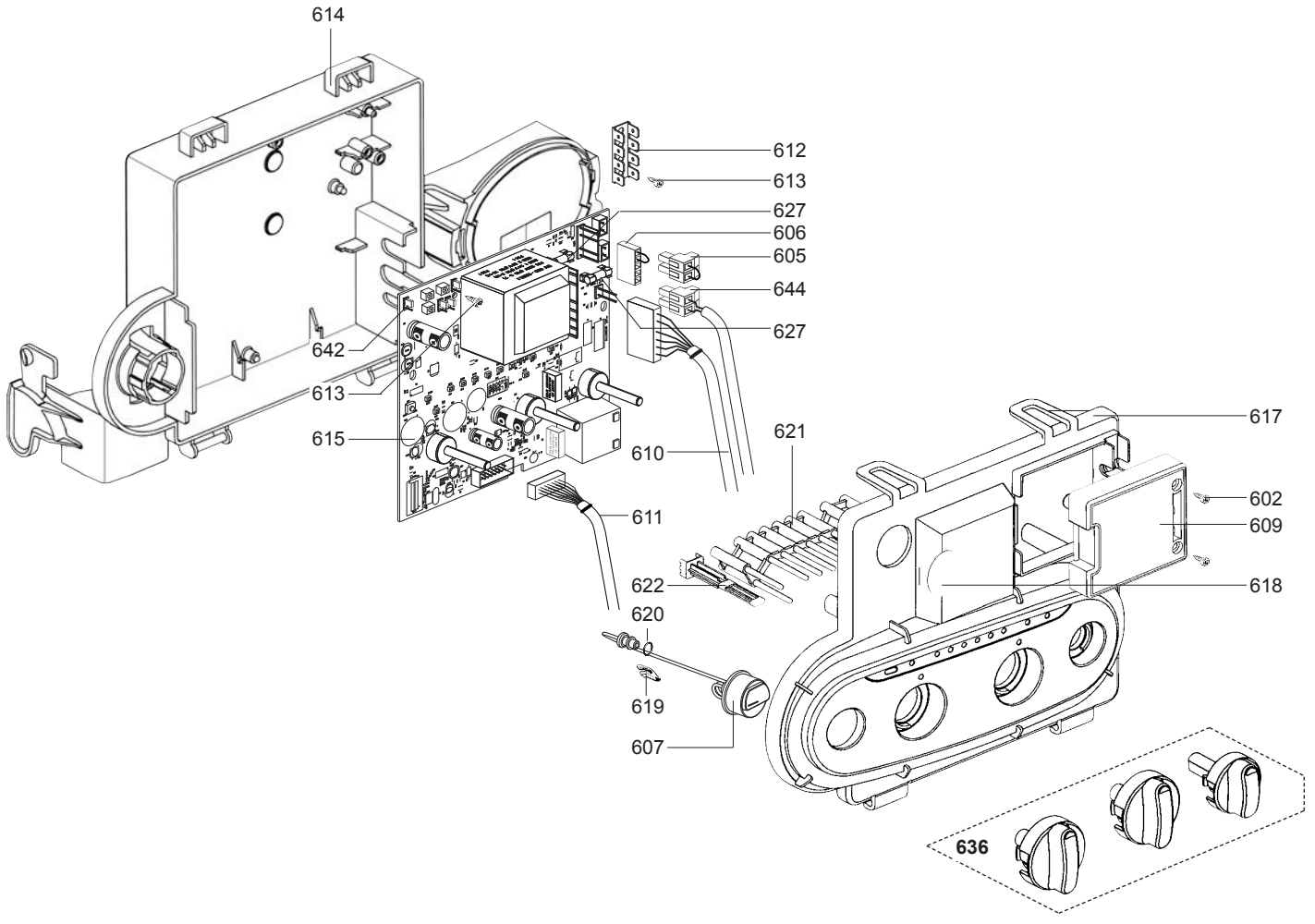
R8206820

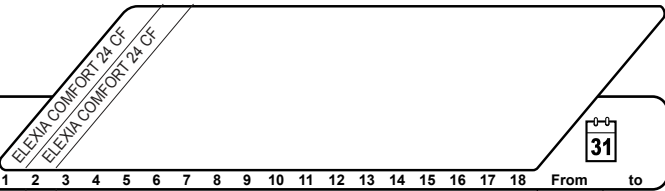


Description	Manf. Pt. N	Type	ELEXIA COMFORT 24 CF																		31	
			1	2	3	4	5	6	7	8	9	10	11	12	13	14	15	16	17	18	From	to
0500 HYDRAULIC BLOCK																						
0501 HEAT EXCHANGER TUBE	61302004			●	●																	
0502 CLIP	61010012-02			●	●																	
0504 O-RING D: 17-4	60024164-51			●	●																	
0505 MOTOR - 3-WAY VALVE	61302410			●	●																	
0506 PLUG	61002490			●	●																	
0507 O-RING D: 13.6-2.7	60024164-18			●	●																	
0508 PIN	61016207			●	●																	
0509 VALVE	61302411			●	●																	
0510 THERMISTOR TEMP. SENSOR	61000733			●	●																	
0511 TEMPERATURE SENSOR CLIP	61002083			●	●																	
0514 WATER / WATER HEAT EXCHANGER 16	61302409-01			●	●																	
0515 SCREW CLX M 5-20	61017600			●	●																	
0516 CLIP	61010609			●	●																	
0518 LEFT HAND HYDRAULIC BLOCK	61301956			●	●																	
0520 FLEXIBLE PIPE	61301998			●	●																	
0522 CLIP	61010005			●	●																	
0523 O-RING D: 18.4-2.7	60024164-22			●	●																	
0524 O-RING D: 15.6-1.78	61009834-49			●	●																	
0526 O-RING 8.9X2.7	61009834-14			●	●																	
0535 PRESSURE RELIEF VALVE KIT	60081978				●																	01/04
	PRESSURE RELIEF VALVE KIT	60081978		●																		
	PRESSURE RELIEF VALVE KIT	61400159			●															02/04		
0536 PRESSURE RELIEF VALVE	61301927			●	●																	
0539 O-RING D: 8.9-1.9	60024164-13			●	●																	
0540 SPINDLE	61302539			●	●																	
0541 O-RING D: 3.6-2.4	61009834-53			●	●																	
0545 DIAPHRAGM	60081977			●	●																	
0546 O-RING D: 2.9-1.78	60024164-54			●	●																	
0547 GAS FILTER	60037309			●	●																	
0551 GAS TUBE	61302005			●	●																	
0553 WATER FILTER	61301924			●	●																	
0554 PRESSURE SENSOR 0.8 B	61003495				●																	01/04
	PRESSURE SENSOR 0.8b	61310364			●															02/04		
0555 SHEET GASKET D: 8.5-4.1-1.5	60061852-12			●	●																	
0558 PUMP LEAD (2 SPEEDS)	61306995			●	●																	
0559 GASKET KIT	61304618			●	●																	
0560 AIR SEPARATOR HEAD ASSEMBLY	61304608			●	●																	
0561 RIGHT HAND HYDRAULIC BLOCK	61301936			●	●																	
0562 PLUG	61016752			●	●																	
0563 CLIP	61002406			●	●																	
0564 O-RING D: 24.6-3.6	61009834-30			●	●																	
0567 CLIP	60030898-03			●	●																	
0568 TAP KNOB	60066107			●	●																	
0569 EXCHANGER GASKET	65104334			●	●																	
0570 TUBE : PUMP TO HEAT EXCHANGER	61302003			●																		
	TUBE : PUMP TO HEAT EXCHANGER	61302003			●																	02/04
	TUBE : PUMP TO HEAT EXCHANGER	61305707			●																	01/04
0571 O-RING D: 16-1.9	61009833-37			●	●																	
0572 PUMP + AIR SEPARATOR 15/50	61301964			●	●																	
	PUMP + AIR SEPARATOR 15/60	61303461		●	●																	
0573 CAPACITOR	61000652-10			●	●																	
0575 BY-PASS	61301960			●	●																	
0578 O-RING D: 5.7-1.9	60024164-10			●	●																	
0583 CLIP	61301900			●	●																	
0584 NUT	61012886			●	●																	
0585 CLIP	61303463			●	●																	
0586 FLEXIBLE PIPE L:230	61310404				●																	02/04
	FLEXIBLE PIPE L:350	61301999			●																	01/04
	FLEXIBLE PIPE L:350	61301999			●																	
0589 NUT M 5	61016604			●	●																	
0590 MICRO SWITCH	61301904			●	●																	
0592 WATER CONTROL 8L/MN	61301952			●	●																	
0593 O-RING D: 20.1-1.6	60024164-58			●	●																	
0594 FLOW REGULATORE 8L/MN (RED)	61017288-08			●	●																	
0595 O-RING D: 25-2.4	60024164-32			●	●																	
0596 PIN	61308332			●	●																	
0597 GASKETS SET - HYDRAULIC BLOC	60081985			●	●																	

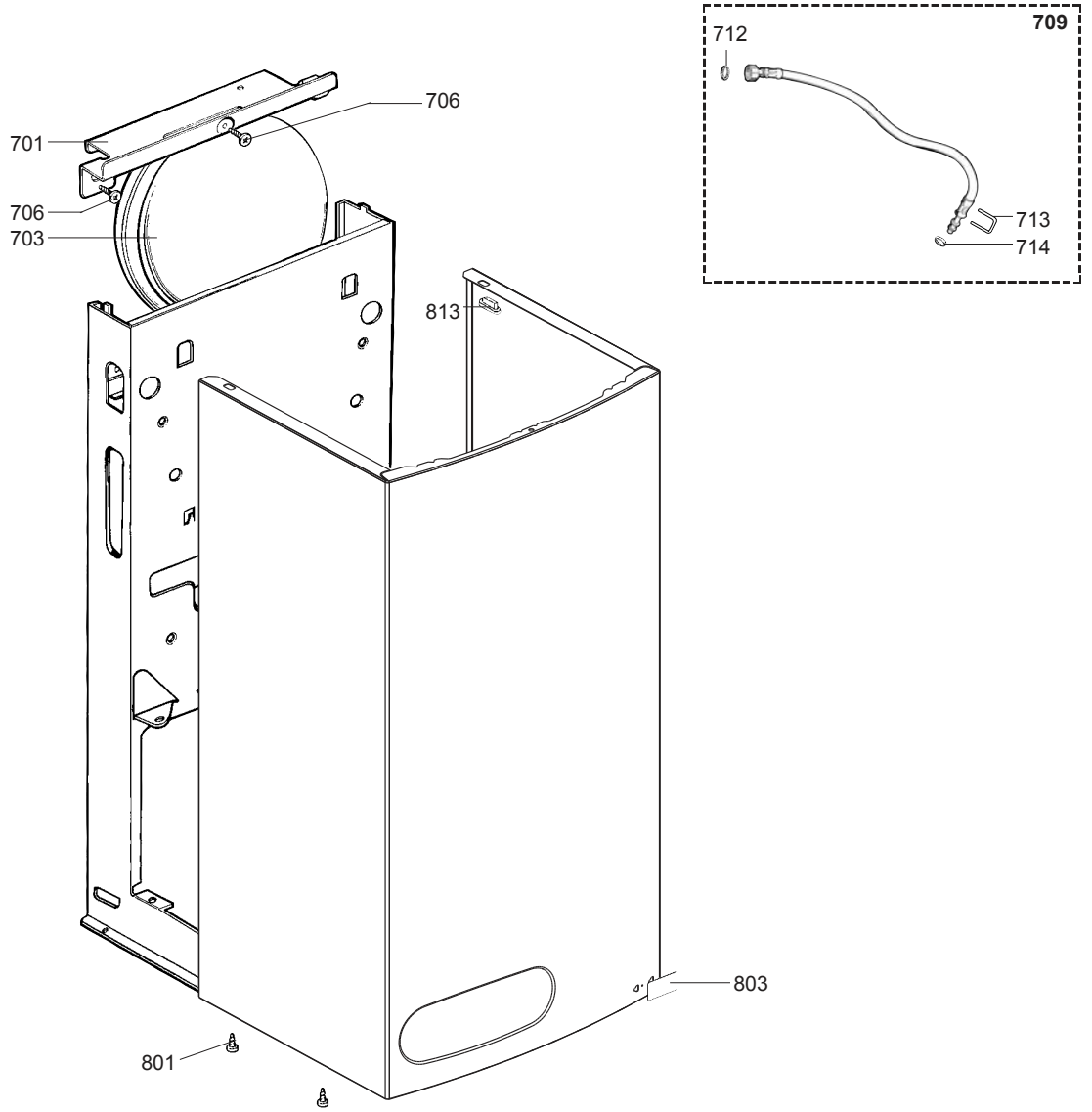
ELEXIA COMFORT

Gas-wall boiler atm. burner





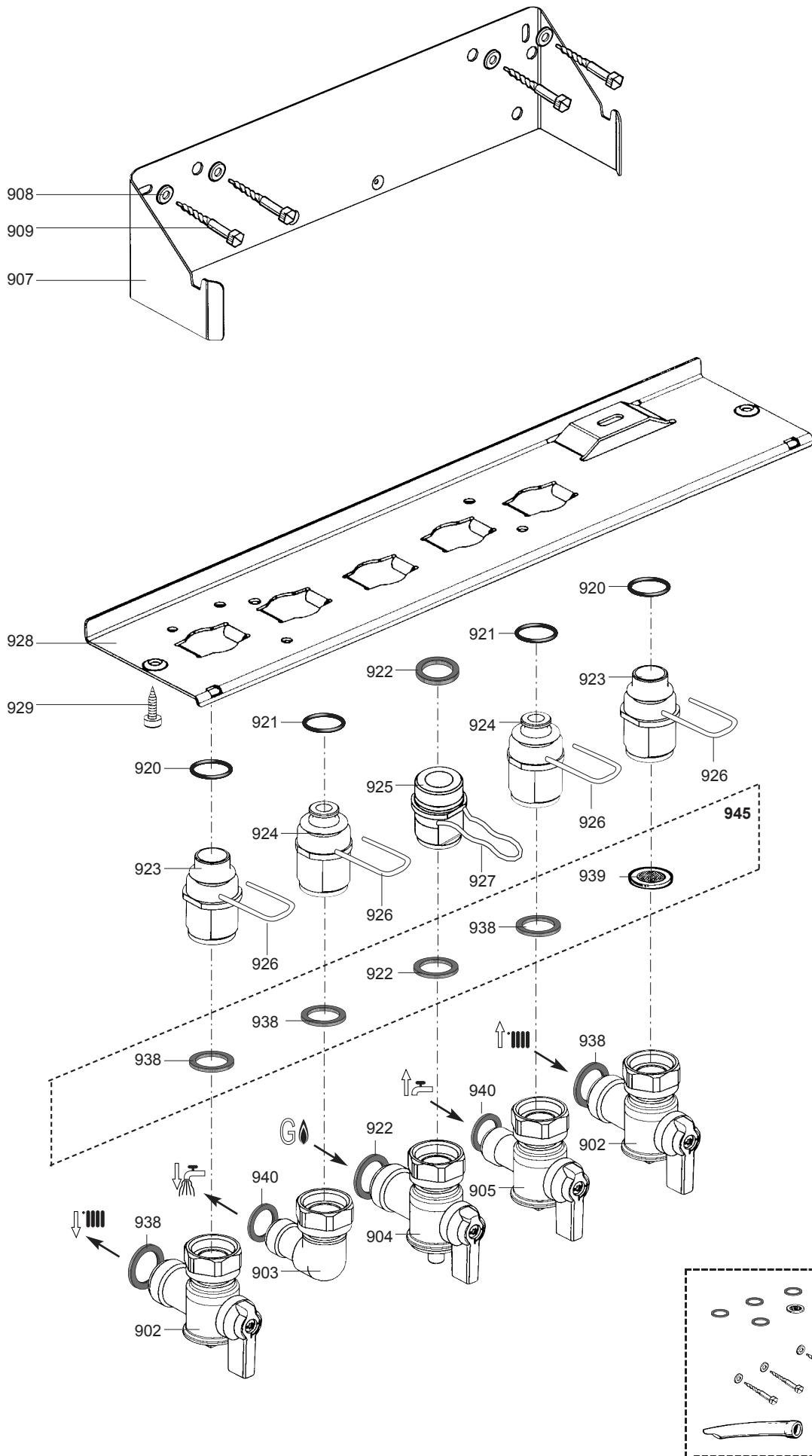
Description	Manf. Pt. N	Type	1 2 3 4 5 6 7 8 9 10 11 12 13 14 15 16 17 18																		From	to
			1	2	3	4	5	6	7	8	9	10	11	12	13	14	15	16	17	18		
0600 ELECTRICAL BOX																						
0601 ELECTRICAL BOX	61305317		●	●																		
0602 SCREW FX90 L:16	61020510		●	●																		
0605 CONNECTOR	61302101		●	●																		
0606 CONNECTOR	61303697		●	●																		
0607 PRESSURE GAUGE	61303159		●	●																		
0609 CONNECTOR COVER	61302248		●	●																		
0610 CONNECTOR	61305269		●	●																		
FAN CABLE	61302017		●																			
0611 WIRE ASSEMBLY	61302014		●																			
WIRE ASSEMBLY	61305712		●																			
0612 CONNECTION STRIP	61002725		●	●																		
0613 TAPPING SCREW TCBL D:4 L:10	61020509		●	●																		
0614 BASE - BOX	61302237		●	●																		
0615 PRINTED CIRCUIT BOARD	60000571		●	●																		
0617 ELECTRICAL BOX COVER	61303266		●	●																		
0618 PLUG	61011316		●	●																		
0619 CLIP	61002406		●	●																		
0620 O-RING 5.7X1.9	61009834-10		●	●																		
0621 TRANSMITTER OF LEDS	61302245		●	●																		
0622 IGNITION PUSH ROD	61302246		●	●																		
0627 FUSE 250V 0.125A TEMPORIZED	61000955		●	●																		
FUSE 250V 1.25A - TEMPORIZED	61003635		●	●																		
FUSE 250V 2A	61003456		●	●																		
0636 KNOBS SET	60081979		●	●																		
0642 BLACK SHUNT	61400030		●	●																		
0644 CONNECTING TERMINAL	61308032		●	●																		
FEEDER	61302102		●	●																02/02	01/02	



ELEXIA COMFORT 24 CF
ELEXIA COMFORT 24 CF

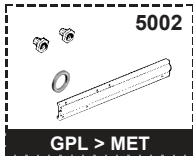
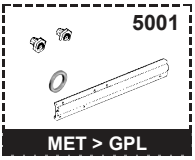
31

	Description	Manf. Pt. N	Type																			From	to
				1	2	3	4	5	6	7	8	9	10	11	12	13	14	15	16	17	18		
0700	CHASSIS																						
0701	TOP STAY PLATE	61010029		•	•																		
0703	EXPANSION VESSEL	60002211		•	•																		
0706	TAPPING SCREW CBL SX D: 6.3-19	61014516		•	•																		
0709	FLEXIBLE PIPE KIT	60081824		•	•																		
0712	SHEET GASKET D: 12-6-2	61308868		•	•																		
0713	CLIP	61010005		•	•																		
0714	O-RING 8.9X2.7	61009834-14		•	•																		
0800	FRONT CASE																						
0801	TAPPING SCREW CBL SX D: 4.2-9.5	61010125		•	•																		
0803	PLATE	61303654		•	•																		
0813	SPACER	61015797		•	•																		

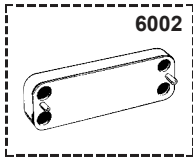
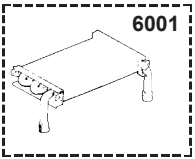


	Description	Manf. Pt. N	Type	ELEXIA COMFORT 24 CF ELEXIA COMFORT 24 CF																		31	
				1	2	3	4	5	6	7	8	9	10	11	12	13	14	15	16	17	18	From	to
0900	JIG PLATE & PIPE FITTING																						
0902	WATER FLOW & RETURN SERVI. TAP	61303534		●	●																		
0903	HOT WATE CONNECTION	61303532		●	●																		
0904	GAS SERVICE TAP	61303533		●	●																		
0905	COLD WATER TAP	61303535		●	●																		
0907	HOOKING BRACKET	61012457		●	●																		
0908	WASHER D: 14.2-7.2-1.2	60005369-03		●	●																		
0909	WOOD SCREW	60025617-03		●	●																		
0920	O-RING D: 17-4	60024164-51		●	●																		
0921	O-RING D: 10.5-2.7	60024164-15		●	●																		
0922	SHEET GASKET D: 24-18.2-1.5	60022835-01		●	●																		
0923	CONNECTION	61301965		●	●																		
0924	CONNECTION	61302474		●	●																		
0925	CONNECTION	61303071		●	●																		
0926	PIN	61302332		●	●																		
0927	PIN	61305179		●	●																		
0928	HYDRAULIC PLATE	61301793		●	●																		
0929	TAPPING SCREW CBLX D: 6.3-13	61010648		●	●																		
0938	SHEET GASKET D: 24-17-1.5	60061855-19		●	●																		
0939	WATER FILTER	60039803		●	●																		
0940	WASHER D: 18.4-12.2-1.5	60061855-14		●	●																		
0943	FITTING KIT	61305362		●	●																		
0945	GASKETS SET	61304273		●	●																		
0946	JIG PLATE	61303832		●	●																		

5000



6000



ELEXIA COMFORT

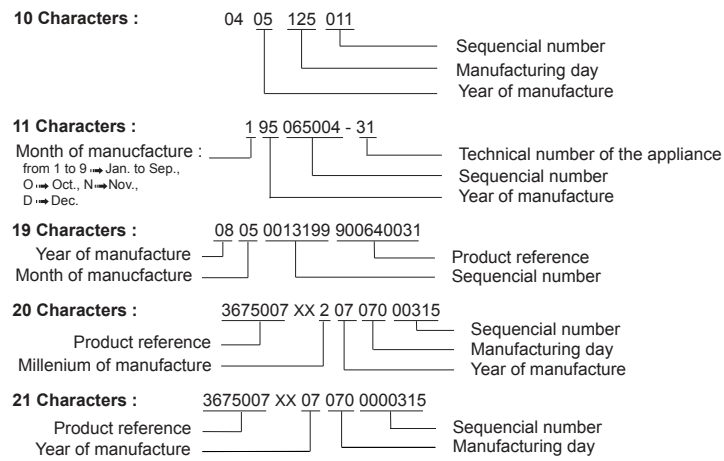
Gas-wall boiler atm. burner

LIST OF THE ABBREVIATIONS

HW	: Hot water.
CW	: Cold water.
C	: Ceramic resistance (normal heating).
Ca	: Ceramic resistance (accelerated heating)
TP	: Immersion heater.
1F	: With fittings.
2F	: Without fittings.
3F	: With fittings and another outlet connection.
AMI	: With mixing valve.
SMI	: Without mixing valve.
PUISS	: Power of th appliance.
PN	: Appliance with normal pression.
LP	: Appliance with low pression.
PV	: Appliance with variable power.
PF	: Appliance with fixed power.

IDENTIFICATION PLATE

SERIAL NUMBER



The indications mentioned on the prices, commercial or technical literature and the scheme are written for your guidance and are available at a given time. The CONSTRUCTOR retains the power to modify the presentation, the form, the size, the conception or the material of the products.