



# SPARE PARTS EXPLODED VIEW HEAT PUMPS

Model

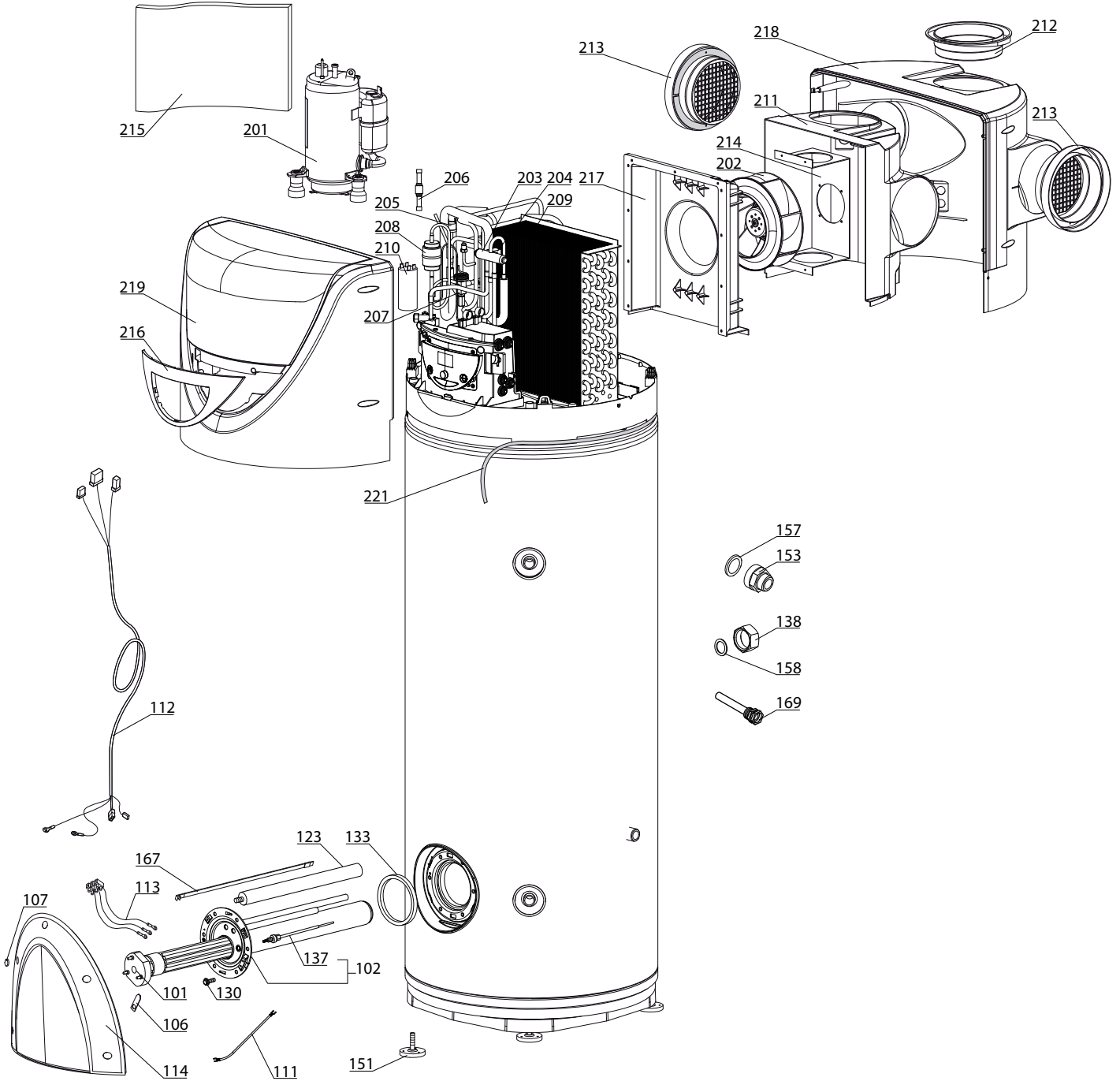
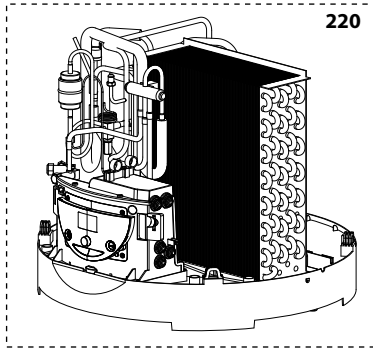
## AQUANEXT / NUOS / ECOSTYX

R8216568-13 - 16/08/2016

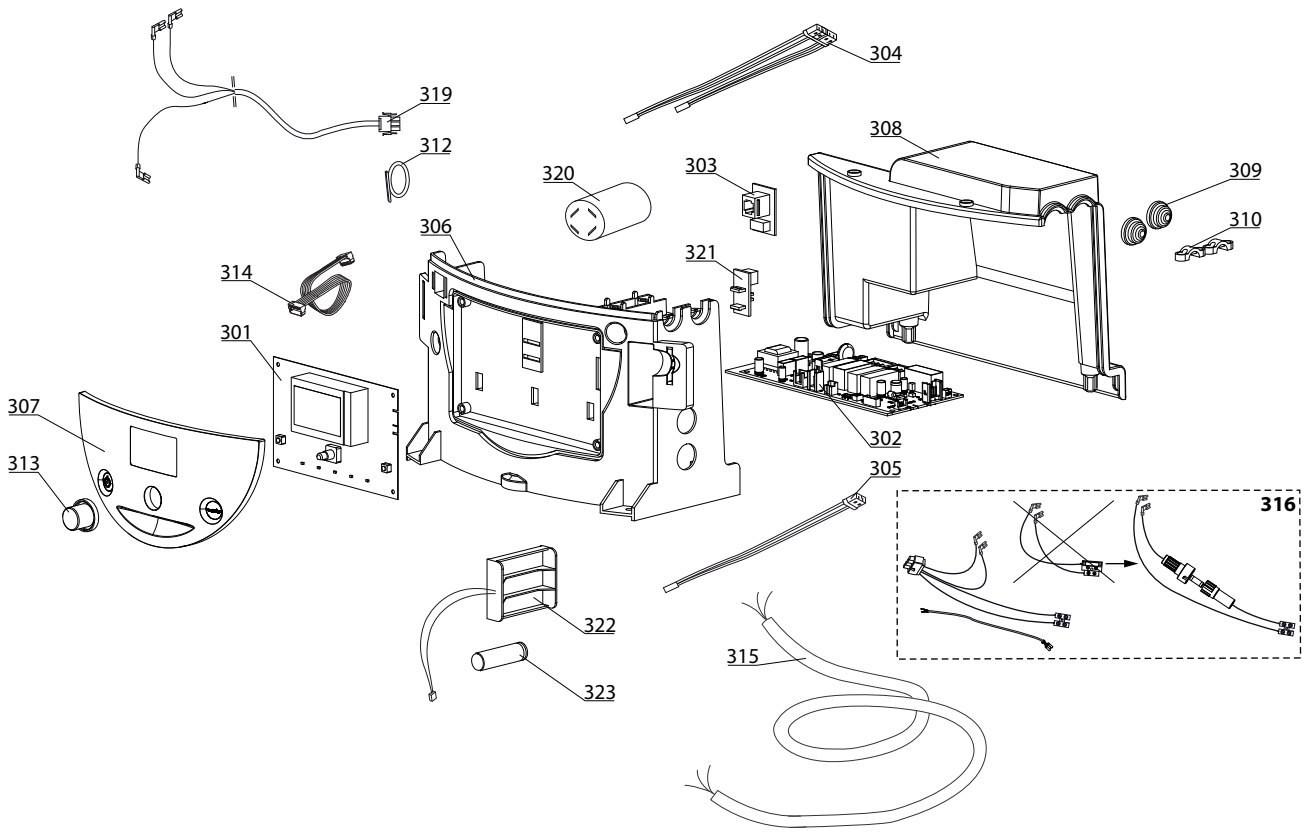
1	3210019	PAC ECS 200	04-2001	12-2012
1	3210032	AQUANEXT 200 EXT	05-2010	-
1	3069422	AQUANEXT MI 200	12-2012	-
1	3210015	NUOS 200	03-2012	12-2012
1	3210031	NUOS 200 EXT	02-2012	-
1	3210033	STYX HPWH 200 EXT	05-2010	01-2013
1	3069431	NUOS 200 MI	03-2014	-
2	3210020	PAC ECS 250	03-2012	12-2012
2	3210021	AQUANEXT 250 EXT	05-2010	-
2	3210022	AQUANEXT 250 SYS EXT	08-2010	-
2	3069421	AQUANEXT MI 250	12-2012	-
2	3210016	NUOS 250	03-2012	12-2012
2	3210017	NUOS 250 EXT	02-2012	-
2	3210018	NUOS 250 SYS EXT	02-2012	-
2	3210034	HPWH STYX 250 EXT	05-2010	01-2013
2	3069432	NUOS 250 MI	03-2014	-

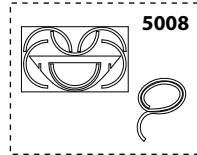
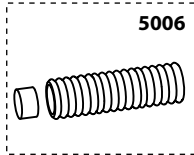
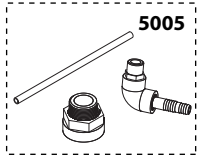
Col	Reference	Model type	Begin	End
-----	-----------	------------	-------	-----



☉⇒	Description	Manf. Pt. N	Type																			From	to	
				1	2	3	4	5	6	7	8	9	10	11	12	13	14	15	16	17	18			
0100	<b>HOT WATER TANK</b>																							
0101	CERAMIC RESISTANCE 1000-1500-2500W D.50	60001714		●	●																	02/12		
	STEATITE ELEMENT (BIPOWER)	65110080		●	●																			01/12
0102	FLANGE	65110091		●	●																			01/12
	FLANGE WITH ANODE	60001835		●	●																	02/12		
0106	FIXING BRACKET	60072531		●	●																			
0107	SCREW COVER	65110066		●	●																			
0111	CABLE (EARTH)	65110086		●	●																			
0112	WIRING (FLANGE-MAIN P.C.B.)	60002189		●	●																	08/12		
	WIRING (FLANGE-MAIN P.C.B.)	60002190			●																	08/12		
	WIRING (FLANGE-MAIN P.C.B.)	65110084		●																				09/10
	WIRING (FLANGE-MAIN P.C.B.)	65110085			●																			09/10
	WIRING (FLANGE-MAIN P.C.B.)	65111173		●																		10/10		07/12
	WIRING (FLANGE-MAIN P.C.B.)	65111174			●																	10/10		07/12
0113	WIRING (ELEMENT)	65110087		●	●																			
0114	PLASTIC COVER (COMPLETE)	65110101		●	●																			
0123	ANODE D:25,5 L:180 M5-M8	977127-01		●	●																	11/15		
0130	SCREW M8X14 (6 PCES)	60000681		●	●																	02/12		
0133	FLANGE GASKET D:121.7-105-11.5	60000682		●	●																	02/12		
	FLANGE GASKET WITH 5 HOLES	924001		●	●																			01/12
0137	ANODE (PROTECH)	340406		●	●																			09/10
	ANODE (PROTECH)	65109749		●	●																	10/10		
0138	PLUG	61013305	SOL		●																			
0151	ADJUSTABLE FOOT	65110092		●	●																			09/10
	ADJUSTABLE FOOT	65111175		●	●																	10/10		
0153	DIELECTRIC JOINT 3/4"	926195		●	●																			
0157	GASKET D: 25,1 - 15,1 - 3 (3/4)	65105908		●	●																			
0158	SHEET GASKET D: 24-16-1.5	61019058	SOL		●																			
0167	SENSOR	65102543		●	●																			
0169	SHEATH 1/2	12022436	SOL		●																			



5000



☉⇒	Description	Manf. Pt. N	Type	<div style="display: flex; justify-content: space-between; align-items: center;"> <div style="border: 1px solid black; padding: 2px; transform: rotate(-15deg);">200 L</div> <div style="border: 1px solid black; padding: 2px; transform: rotate(-15deg);">250 L</div> <div style="border: 1px solid black; padding: 2px;">31</div> </div>																		From	to
				1	2	3	4	5	6	7	8	9	10	11	12	13	14	15	16	17	18		
<b>0200</b>	<b>REFRIGERATION UNIT</b>																						
0201	COMPRESSOR	65110096		•	•																		
0202	FAN ASSY WITH CABLE	65110081		•	•																		
0203	4-WAY VALVE	60001846		•	•															08/12			
	SOLENOID VALVE	60001836		•	•															02/12	07/12		
	SOLENOID VALVE	65110098		•	•																01/11		
	SOLENOID VALVE	65111780		•	•															02/11	01/12		
0204	4-WAY VALVE COIL	60001847		•	•															08/12			
	SOLENOID COIL	60001837		•	•															02/12	07/12		
	SOLENOID COIL	65110099		•	•																01/11		
	SOLENOID COIL	65111781		•	•															02/11	01/12		
0205	PRESSURE SWITCH WITH CABLE	65151795		•	•																		
0206	ONE-WAY VALVE	65110071		•	•																		
0207	THERMOSTATIC EXPANSION VALVE	60001848		•	•															08/12			
	THERMOSTATIC EXPANSION VALVE	65110097		•	•																01/12		
	THERMOSTATIC VALVE	64191243		•	•															02/12	07/12		
0208	FILTER DEHYDRATOR	60001849		•	•															08/12			
	FILTER DEHYDRATOR	65110095		•	•																07/12		
0209	EVAPORATOR	65110076		•	•																		
0210	COMPRESSOR CAPACITOR	65110094		•	•																		
0211	FAN CHAMBER	65110078		•	•																		
0212	DUCTS ADAPTER CLOSED	65110060-01		•	•																		
0213	DUCTS ADAPTER WITH GRID	65110061-01		•	•																		
0214	CLAMP	65110093		•	•																		
0215	SOUNDPROOFING COAT	65110077		•	•																		
0216	FRAME	65110062-01		•	•																		
0217	AIR GUIDER	65110067		•	•																		
0218	BACK CASING COVER	65110072		•	•																		
0219	TOP CASING FRONT	65110073		•	•																		
0220	COMPLETE COLD GROUP	60001845		•	•																07/12		
	COMPLETE COLD GROUP	60002198		•	•															08/12			
0221	GASKET 9X4 L: 2500	60002136		•	•																		
<b>0300</b>	<b>ELECTRICAL BOX</b>																						
0301	CIRCUIT IMPRIME D'AFFICHAGE	60001830-01		•	•															08/12			
	P.C.B. (DISPLAY)	65151681		•	•																07/12		
0302	P.C.B (MAIN)	60001748		•	•															08/12			
	P.C.B (MAIN)	65110059		•	•																07/12		
0303	CONNECTIVE INDEX WITH SERIAL PORT	65108436		•	•																		
0304	AIR, EVAPORATOR PROBE	60001751		•	•															08/12			
	AIR, EVAPORATOR PROBE	65110068		•	•																07/12		
0305	HOT WATER PROBE	60001761		•	•																		
0306	P.C.B. HOLDER	65110063		•	•																		
0307	TRIM	65110064		•	•																		
0308	BACK COVER	65110065		•	•																		
0309	RING NUT (CABLE HOLDER)	926044		•	•																		
0310	CABLE CLAMP	573266		•	•																		
0312	CABLE HOLDER	65110075		•	•																		
0313	KNOB	60001708		•	•																		
0314	WIRING (CONTROL BOARD)	65109619		•	•																		
0315	CABLE (SUPPLY POWER)	65110082		•	•																		
0316	MAIN P.C.B. CABLE (SUPPLY POWER)	60001765		•	•															08/12			
	MAIN P.C.B. CABLE (SUPPLY POWER)	65110083		•	•																07/12		
0319	COMPRESSOR CABLE	65110088		•	•																		
0320	ANTIJAMMING FILTER	65110089		•	•																		
0321	TERMINAL BOARD (EARTH)	65110100		•	•																		
0322	BATTERY HOLDER	60000478		•	•																		
0323	BATTERY AA	60000443		•	•																		
<b>5000</b>	<b>ACCESSORIES</b>																						
5005	CONNECTION KIT	60001834		•	•																		
5006	FLEXIBLE PIPE L=3000 D:200	60001992		•	•																		
5008	GASKET (KIT)	60002289		•	•																		

## LIST OF THE ABBREVIATIONS

HW .....	: Hot water.
CW .....	: Cold water.
C .....	: Ceramic resistance (normal heating).
Ca .....	: Ceramic resistance (accelerated heating)
TP .....	: Immersion heater.
1F .....	: With fittings.
2F .....	: Without fittings.
3F .....	: With fittings and another outlet connection.
AMI .....	: With mixing valve.
SMI .....	: Without mixing valve.
PUISS .....	: Power of th appliance.
PN .....	: Appliance with normal pression.
LP .....	: Appliance with low pression.
PV .....	: Appliance with variable power.
PF .....	: Appliance with fixed power.

## IDENTIFICATION PLATE

### SERIAL NUMBER

**9 Characters :** 07 91 00301 (from 01/77 to 12/92)

Month of manufacture 07 91 Sequential number 00301  
Year of manufacture 07 91

**10 Characters :** 95 01 065004 (from 01/93 to 06/95)

Year of manufacture 95 01 Sequential number 065004  
Month of manufacture 95 01

**OU**

**10 Characters :** 01 95 065004 (from 07/95)

Month of manufacture 01 95 Sequential number 065004  
Year of manufacture 01 95

**12 Characters :** 924 2 3 134 0115

Product reference 924 2 3 Sequential number 134 0115  
Year of manufacture 924 2 3 Manufacturing day 134 0115

**15 ou 16 Characters :** (0)03 070 0001 893077 (from 01/97 to 01/05)

Year of manufacture (0)03 070 Product reference 893077  
Day of manufacture (0)03 070 Sequential number 0001 893077

**OU**

**16 Characters :** 05 070 0001 0000000 (from 02/05)

Year of manufacture 05 070 Product reference 0001 0000000  
Day of manufacture 05 070 Sequential number 0001 0000000

**17 Characters :** 07 070 00315 3070107

Year of manufacture 07 070 Product reference 00315 3070107  
Sequential number 00315 3070107  
Manufacturing day (70) 3070107

**21 Characters :** 3000115 XX 08115 0000001

Product reference 3000115 XX Sequential number 08115 0000001  
Year (08) / Manufacturing day (115) 08115 0000001

**22 Characters :** 3000115 XX 070416 0000001

Product reference 3000115 XX Sequential number 070416 0000001  
Year (07) / Month (04) / Manufacturing day (16) 070416 0000001