

SPARE PARTS EXPLODED VIEW  
GAS-WALL BOILER ATM. BURNER

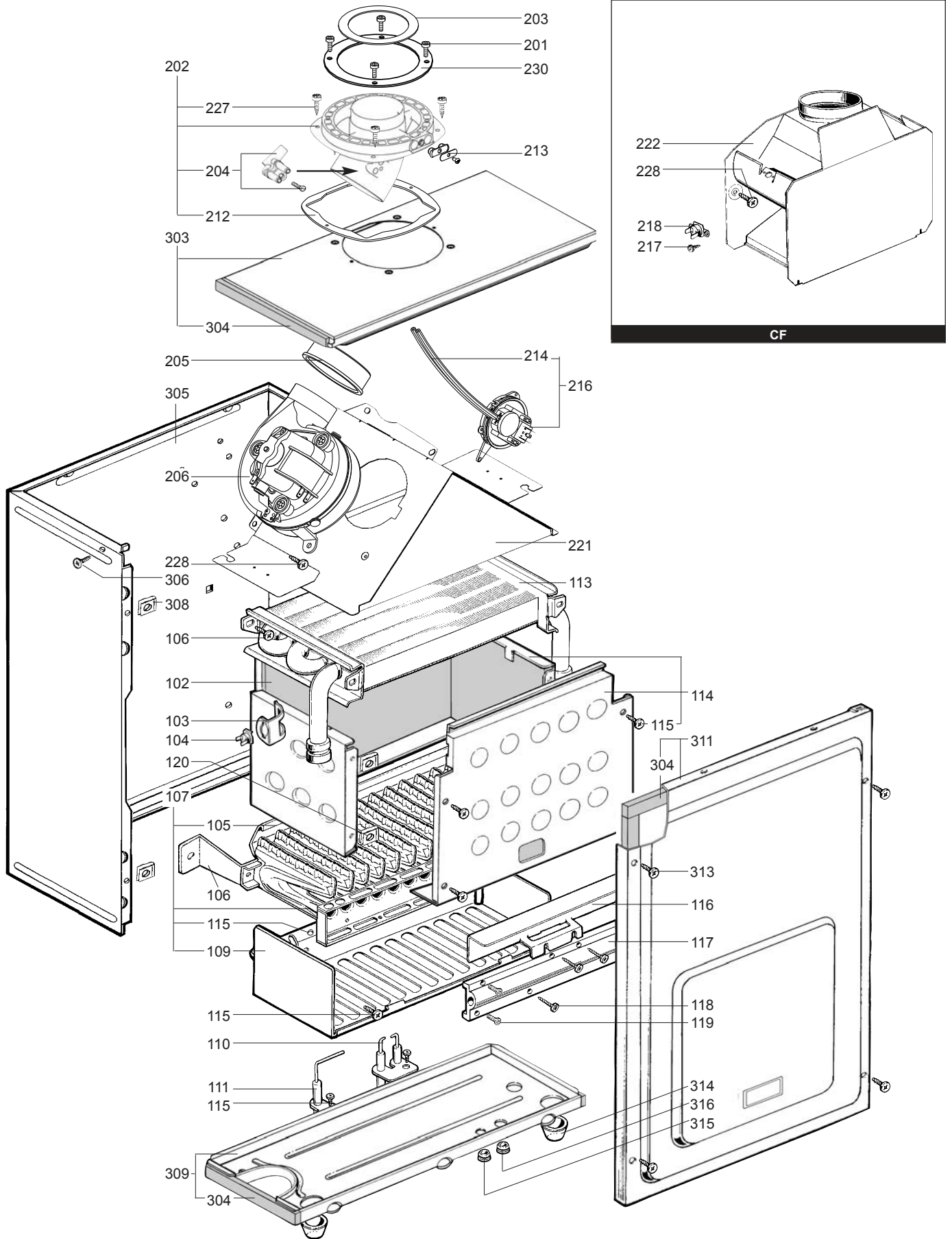
Model

**ELEXIA COMFORT**

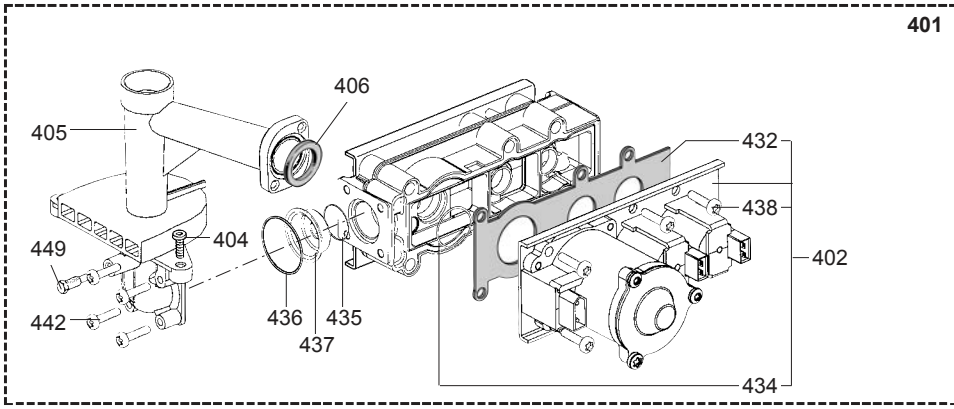
R8202555-06 - 16/01/2014

1	205406774031	ELEXIA COMFORT 24 CF N EU	10-2000	12-2007
1	205406774021	ELEXIA COMFORT 24 CF P EU	05-2001	01-2008
2	205406774037	ELEXIA COMFORT 24 FF N EU	10-2000	01-2008
2	205406774027	ELEXIA COMFORT 24 FF P EU	06-2001	12-2007

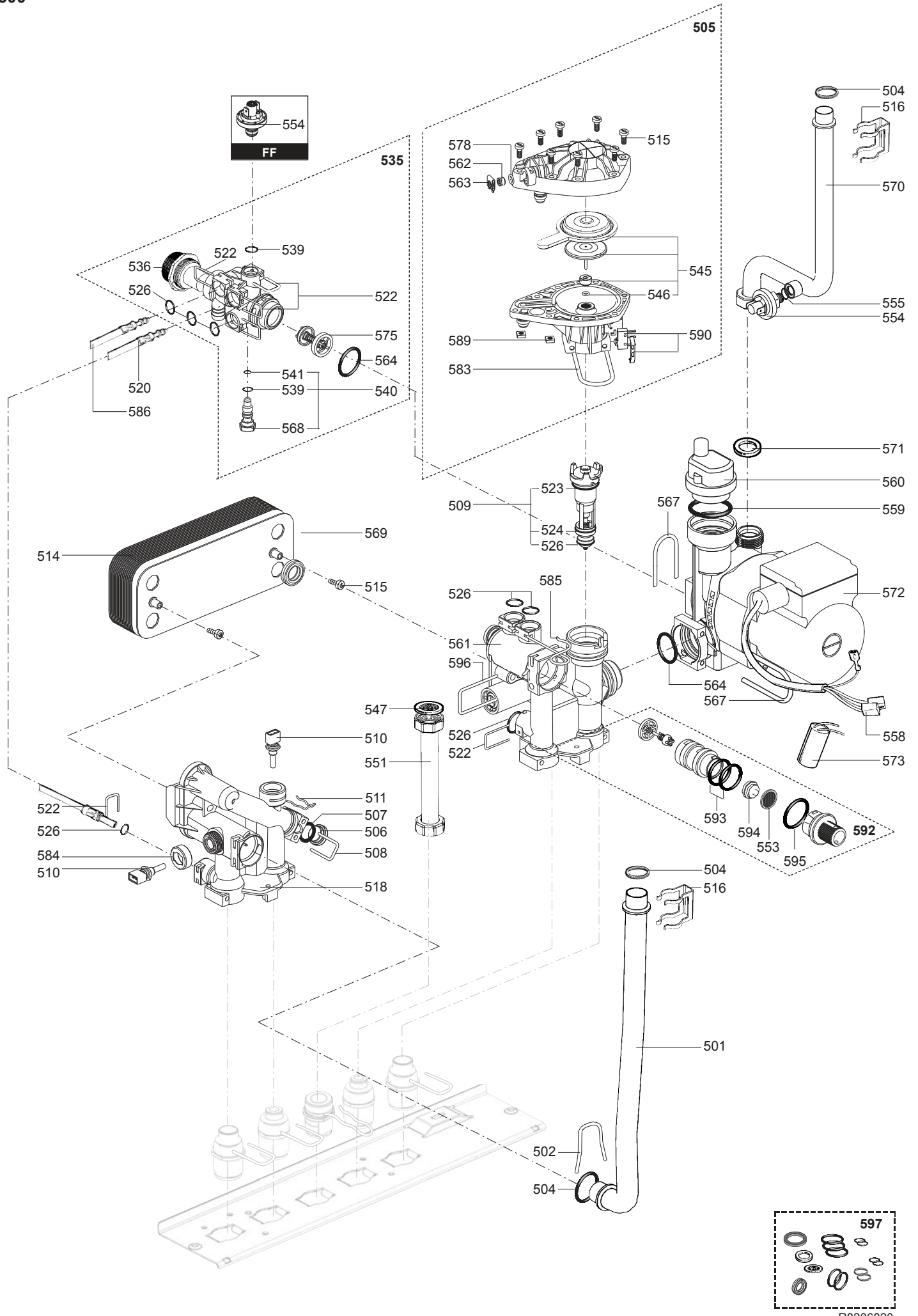
Col	Reference	Model type	Begin	End
-----	-----------	------------	-------	-----



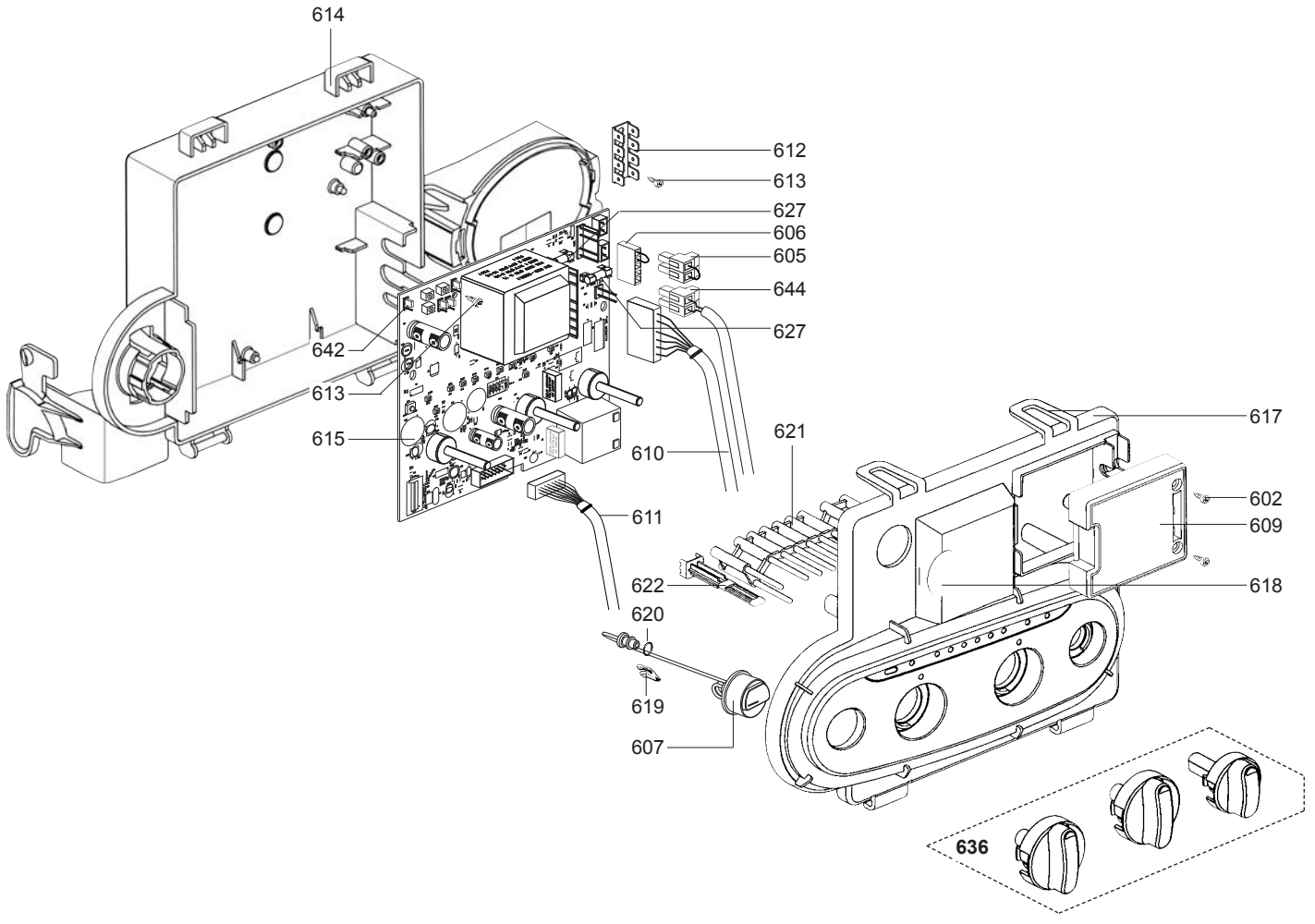






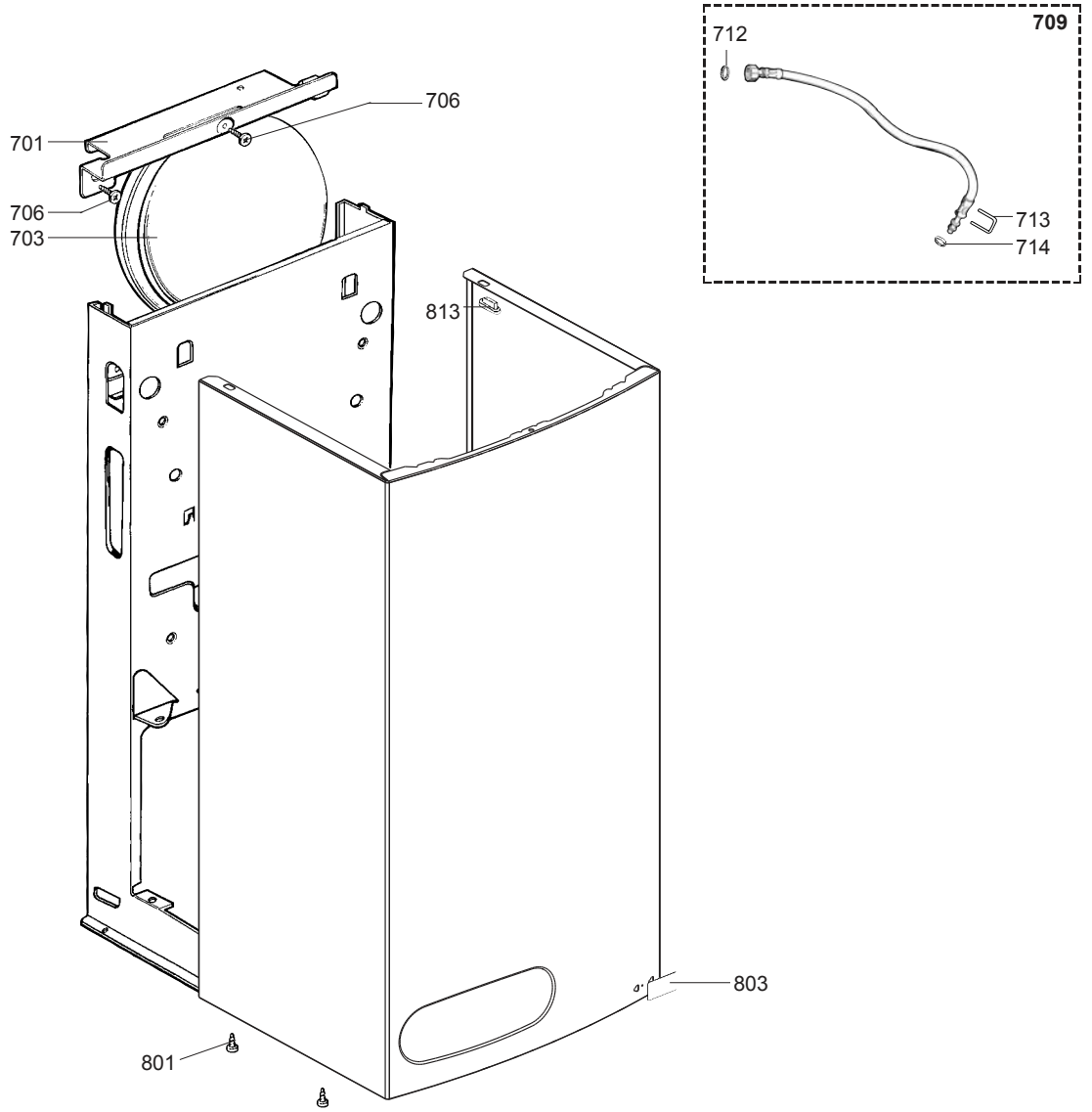








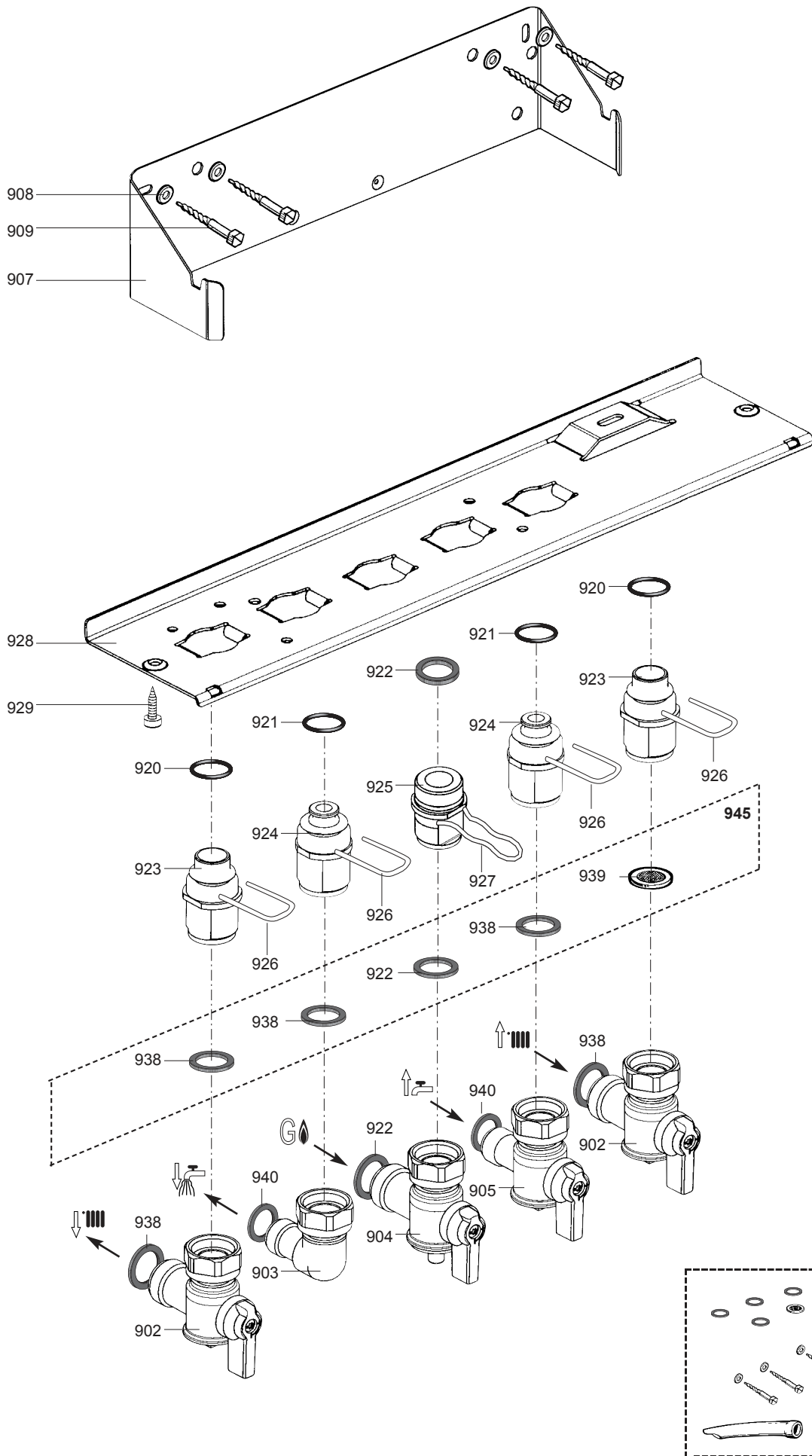




ELEXIA COMFORT 24 CF  
ELEXIA COMFORT 24 CF

31

	Description	Manf. Pt. N	Type	1	2	3	4	5	6	7	8	9	10	11	12	13	14	15	16	17	18	From	to
<b>0700</b>	<b>CHASSIS</b>																						
0701	TOP STAY PLATE	61010029		●	●																		
0703	EXPANSION VESSEL	60002211		●	●																		
0706	TAPPING SCREW CBL SX D: 6.3-19	61014516		●	●																		
0709	FLEXIBLE PIPE KIT	60081824		●	●																		
0712	SHEET GASKET D: 12-6-2	61308868		●	●																		
0713	CLIP	61010005		●	●																		
0714	O-RING 8.9X2.7	61009834-14		●	●																		
<b>0800</b>	<b>FRONT CASE</b>																						
0801	TAPPING SCREW CBL SX D: 4.2-9.5	61010125		●	●																		
0803	PLATE	61303654		●	●																		
0813	SPACER	61015797		●	●																		

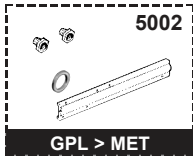
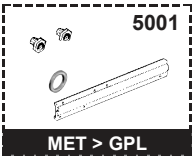


ELEXIA COMFORT 24 CF  
ELEXIA COMFORT 24 CF

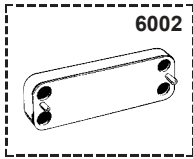
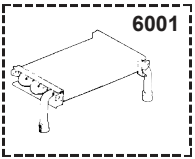
31

☉⇒	Description	Manf. Pt. N	Type																				
				1	2	3	4	5	6	7	8	9	10	11	12	13	14	15	16	17	18	From	to
0900	JIG PLATE & PIPE FITTING																						
0902	WATER FLOW & RETURN SERVI. TAP	61303534		•	•																		
0903	HOT WATE CONNECTION	61303532		•	•																		
0904	GAS SERVICE TAP	61303533		•	•																		
0905	COLD WATER TAP	61303535		•	•																		
0907	HOOKING BRACKET	61012457		•	•																		
0908	WASHER D: 14.2-7.2-1.2	60005369-03		•	•																		
0909	WOOD SCREW	60025617-03		•	•																		
0920	O-RING D: 17-4	60024164-51		•	•																		
0921	O-RING D: 10.5-2.7	60024164-15		•	•																		
0922	SHEET GASKET D: 24-18.2-1.5	60022835-01		•	•																		
0923	CONNECTION	61301965		•	•																		
0924	CONNECTION	61302474		•	•																		
0925	CONNECTION	61303071		•	•																		
0926	PIN	61302332		•	•																		
0927	PIN	61305179		•	•																		
0928	HYDRAULIC PLATE	61301793		•	•																		
0929	TAPPING SCREW CBLX D: 6.3-13	61010648		•	•																		
0938	SHEET GASKET D: 24-17-1.5	60061855-19		•	•																		
0939	WATER FILTER	60039803		•	•																		
0940	WASHER D: 18.4-12.2-1.5	60061855-14		•	•																		
0943	FITTING KIT	61305362		•	•																		
0945	GASKETS SET	61304273		•	•																		
0946	JIG PLATE	61303832		•	•																		

**5000**



**6000**





## LIST OF THE ABBREVIATIONS

HW .....	: Hot water.
CW .....	: Cold water.
C .....	: Ceramic resistance (normal heating).
Ca .....	: Ceramic resistance (accelerated heating)
TP .....	: Immersion heater.
1F .....	: With fittings.
2F .....	: Without fittings.
3F .....	: With fittings and another outlet connection.
AMI .....	: With mixing valve.
SMI .....	: Without mixing valve.
PUISS .....	: Power of th appliance.
PN .....	: Appliance with normal pression.
LP .....	: Appliance with low pression.
PV .....	: Appliance with variable power.
PF .....	: Appliance with fixed power.

## IDENTIFICATION PLATE

### SERIAL NUMBER

<b>10 Characters :</b>	04 05 125 011	
	└──┬──┬──┬──┘	Sequential number
	└──┬──┬──┘	Manufacturing day
	└──┬──┘	Year of manufacture
<b>11 Characters :</b>	1 95 065004 - 31	
Month of manufacture :	└──┬──┬──┬──┬──┘	Technical number of the appliance
from 1 to 9 → Jan. to Sep.,	└──┬──┬──┘	Sequential number
O → Oct., N → Nov.,	└──┬──┘	Year of manufacture
D → Dec.		
<b>19 Characters :</b>	08 05 0013199 900640031	
Year of manufacture	└──┬──┬──┬──┬──┘	Product reference
Month of manufacture	└──┬──┬──┘	Sequential number
<b>20 Characters :</b>	3675007 XX 2 07 070 00315	
Product reference	└──┬──┬──┬──┬──┬──┘	Sequential number
Millenium of manufacture	└──┬──┬──┘	Manufacturing day
	└──┬──┘	Year of manufacture
<b>21 Characters :</b>	3675007 XX 07 070 0000315	
Product reference	└──┬──┬──┬──┬──┬──┘	Sequential number
Year of manufacture	└──┬──┬──┘	Manufacturing day

The indications mentioned on the prices, commercial or technical literature and the scheme are written for your guidance and are available at a given time. The CONSTRUCTOR retains the power to modify the presentation, the form, the size, the conception or the material of the products.