



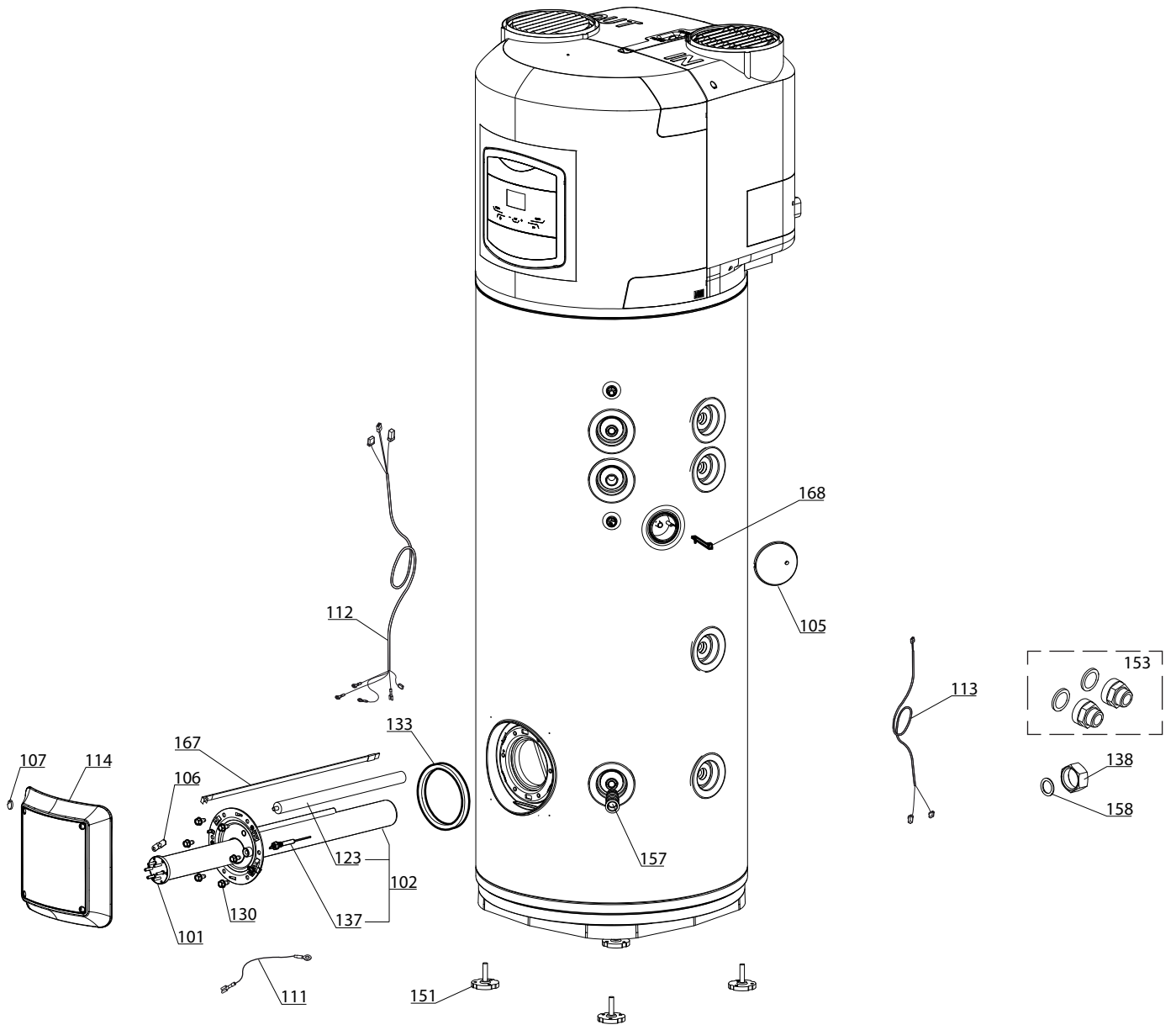
# SPARE PARTS EXPLODED VIEW HEAT PUMPS

Model

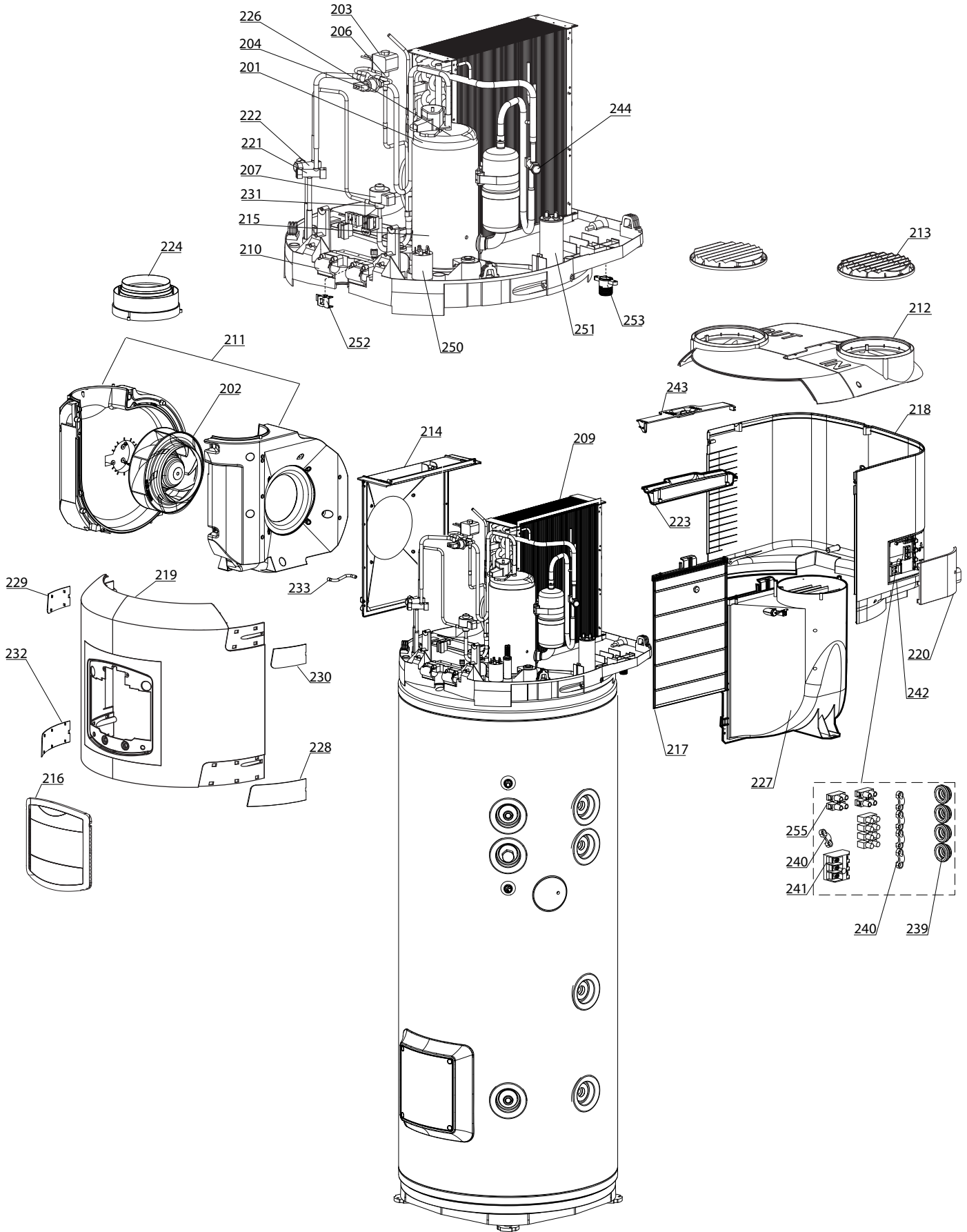
## NUOS PLUS WI-FI / AQUANEXT PLUS LINK

R8218583-01 - 12/11/2020

1	3069775	NUOS PLUS WI-FI 200	10-2020	-
2	3069776	NUOS PLUS WI-FI 250	10-2020	-
3	3069777	NUOS PLUS WI-FI 250 SYS	10-2020	-
4	3069778	NUOS PLUS WI-FI 250 TWIN SYS	10-2020	-
5	3069781	AQUANEXT PLUS LINK 200	10-2020	-
6	3069782	AQUANEXT PLUS LINK 250	10-2020	-
7	3069783	AQUANEXT PLUS LINK 250 SYS	10-2020	-
Col	Reference	Model type	Begin	End

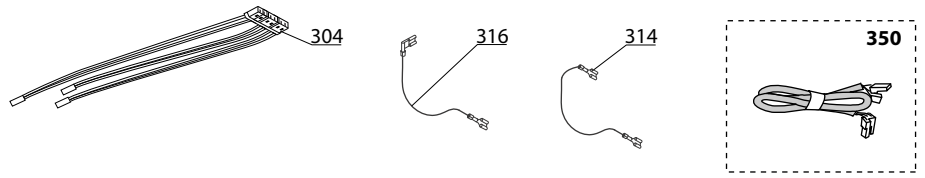
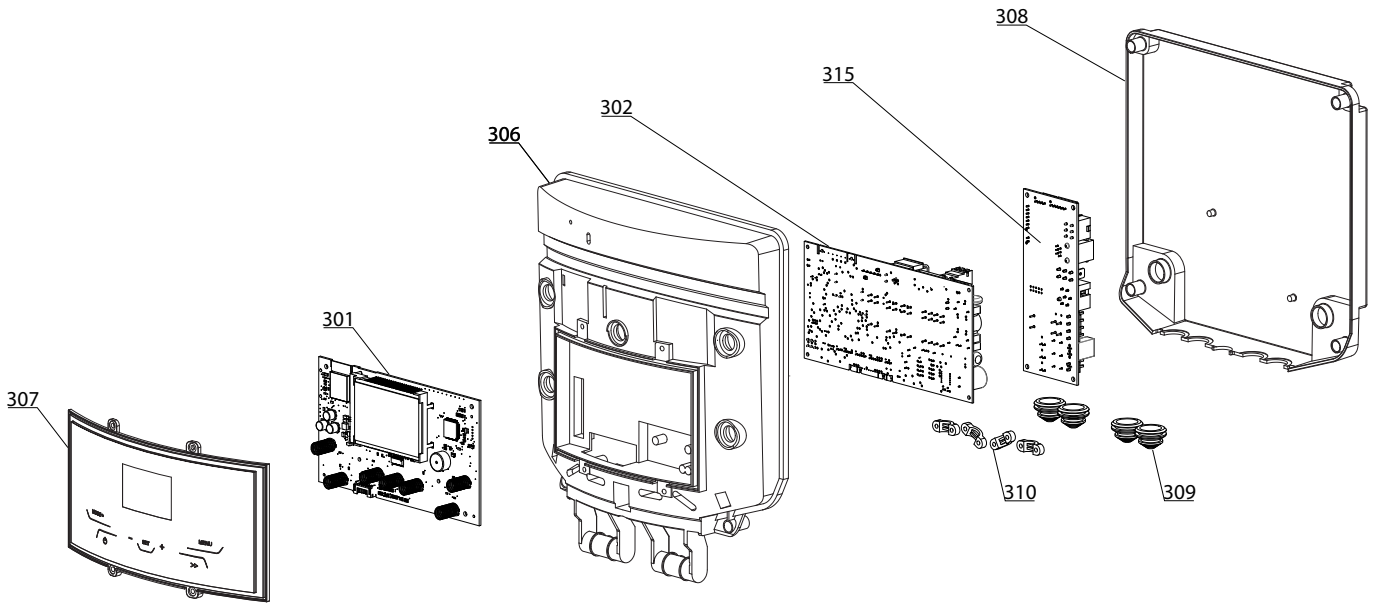


☉➡	Description	Manf. Pt. N	Type	<div style="display: flex; justify-content: space-between;"> <div style="writing-mode: vertical-rl; transform: rotate(180deg); font-size: small;">           NUOS 200            NUOS 250            NUOS 250 SYS            NUOS 250 TWIN SYS            AQUANEXT 200            AQUANEXT 250            AQUANEXT 250 SYS         </div> <div style="border: 1px solid black; padding: 2px;">           31         </div> </div>																		From	to
				1	2	3	4	5	6	7	8	9	10	11	12	13	14	15	16	17	18		
0100	<b>HOT WATER TANK</b>																						
0101	CERAMIC RESISTANCE 1000+1500W	60001714		•	•	•	•																
	CERAMIC RESISTANCE 1500W	60003358						•	•	•													
0102	FLANGE WITH ANODES	60002530				•	•																
	FLANGE WITH ANODES	60003356																		•			
	FLANGE WITH ANODES	60003357									•	•											
	FLANGE WITH ANODES	60003359		•	•																		
0105	PROBE COVER	60002538		•	•	•	•	•	•	•													
0106	FIXING BRACKET	60072531		•	•	•	•	•	•	•	•												
0107	SCREW COVER	60002714		•	•	•	•	•	•	•	•												
0111	EARTH WIRE	60002273		•	•	•	•	•	•	•	•												
0112	WIRING (FLANGE-MAIN P.C.B.)	60003353		•																			
	WIRING (FLANGE-MAIN P.C.B.)	60003354				•	•	•															
	WIRING (FLANGE-MAIN P.C.B.)	60003360									•												
	WIRING (FLANGE-MAIN P.C.B.)	60003361										•	•										
0113	NTC PROBE CABLE	60003355		•	•	•	•	•	•	•	•												
0114	FLANGE COVER	65154811		•	•	•	•	•	•	•	•												
0123	ANODE D:25,5 L:380 M8	65102462		•	•	•	•	•	•	•	•												
0130	SCREW M8X14 (6 PCES)	60000681		•	•	•	•	•	•	•	•												
0133	FLANGE GASKET	60003285		•	•	•	•	•	•	•	•												
0137	ANODE (PROTECH)	65111197		•	•	•	•	•	•	•	•												
0138	PLUG	61013305				•	•													•			
0151	ADJUSTABLE FOOT	65111175		•	•	•	•	•	•	•	•												
0153	DIELECTRIC FITTINGS 3/4"	65118634		•	•	•	•	•	•	•	•												
0157	INSERT (PLASTIC) 3/4	60001255					•	•	•	•	•									•			
0158	SHEET GASKET D: 24-16-1.5	61019058					•	•												•			
0167	SENSOR	65102543		•	•	•	•	•	•	•	•												
0168	PROBE	60002537		•	•	•	•	•	•	•	•												

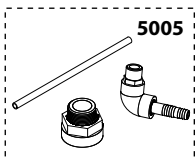


☉→	Description	Manf. Pt. N	Type	<div style="display: flex; justify-content: space-between; font-size: small;"> <span>NUOS 200</span> <span>NUOS 250</span> <span>NUOS 250 SYS</span> <span>NUOS 250 TWIN SYS</span> <span>AQUANEXT 200</span> <span>AQUANEXT 250</span> <span>AQUANEXT 250 SYS</span> </div>																		From	to
				1	2	3	4	5	6	7	8	9	10	11	12	13	14	15	16	17	18		
<b>0200</b>	<b>REFRIGERATION UNIT</b>																						
0201	COMPRESSOR	65154773		●	●	●	●	●	●	●	●	●	●	●	●	●	●	●	●				
0202	FAN+SCREWS	65154774		●	●	●	●	●	●	●	●	●	●	●	●	●	●	●	●				
0203	HOT GAS VALVE COIL	65152763		●	●	●	●	●	●	●	●	●	●	●	●	●	●	●	●				
0204	PRESSURE SWITCH	65154235		●	●	●	●	●	●	●	●	●	●	●	●	●	●	●	●				
0206	HOT GAS VALVE	65152762		●	●	●	●	●	●	●	●	●	●	●	●	●	●	●	●				
0207	ELECTRONIC EXPANSION VALVE COIL	65152761		●	●	●	●	●	●	●	●	●	●	●	●	●	●	●	●				
0209	EVAPORATOR	65152759		●	●	●	●	●	●	●	●	●	●	●	●	●	●	●	●				
0210	HINGE	65152796		●	●	●	●	●	●	●	●	●	●	●	●	●	●	●	●				
0211	FAN CHAMBER	65152776		●	●	●	●	●	●	●	●	●	●	●	●	●	●	●	●				
0212	TOP CASING COVER + SPONGE	65154785		●	●	●	●	●	●	●	●	●	●	●	●	●	●	●	●				
0213	AIR NET	65154775		●	●	●	●	●	●	●	●	●	●	●	●	●	●	●	●				
0214	AIR DIFFUSER	65152770		●	●	●	●	●	●	●	●	●	●	●	●	●	●	●	●				
0215	SOUNDPROOFING COMPRESSOR COAT	65154776		●	●	●	●	●	●	●	●	●	●	●	●	●	●	●	●				
0216	FRAME - ARISTON	65154777		●	●	●	●	●	●	●	●	●	●	●	●	●	●	●	●				
	FRAME - CHAFFOTEAU	65154778							●	●	●	●	●	●	●	●	●	●	●				
0217	FILTER	65152771		●	●	●	●	●	●	●	●	●	●	●	●	●	●	●	●				
0218	BACK CASING COVER + SPONGE	65154786		●	●	●	●	●	●	●	●	●	●	●	●	●	●	●	●				
0219	FRONT CASING COVER + SPONGE	65154789		●	●	●	●	●	●	●	●	●	●	●	●	●	●	●	●				
0220	CONNECTING TERMINAL COVER	65154787		●	●	●	●	●	●	●	●	●	●	●	●	●	●	●	●				
0221	THREE-WAY SERVICE TAP	65152768		●	●	●	●	●	●	●	●	●	●	●	●	●	●	●	●				
0222	TWO-WAY SERVICE TAP	65152767		●	●	●	●	●	●	●	●	●	●	●	●	●	●	●	●				
0223	EVAPORATOR FILTER BRACKET	65152772		●	●	●	●	●	●	●	●	●	●	●	●	●	●	●	●				
0224	ADAPTER AIR	65152788		●	●	●	●	●	●	●	●	●	●	●	●	●	●	●	●				
0226	SOUNDPROOFING COMPRESSOR COAT - TOP	65154780		●	●	●	●	●	●	●	●	●	●	●	●	●	●	●	●				
0227	AIR CONVEYOR	65152769		●	●	●	●	●	●	●	●	●	●	●	●	●	●	●	●				
0228	SCREW COVER - RIGHT BOTTOM SIDE	65152783		●	●	●	●	●	●	●	●	●	●	●	●	●	●	●	●				
0229	SCREW COVER - LEFT TOP SIDE	65152782		●	●	●	●	●	●	●	●	●	●	●	●	●	●	●	●				
0230	SCREW COVER - RIGHT TOP SIDE	65152781		●	●	●	●	●	●	●	●	●	●	●	●	●	●	●	●				
0231	THERMOSTATIC EXPANSION VALVE	65152760		●	●	●	●	●	●	●	●	●	●	●	●	●	●	●	●				
0232	SCREW COVER - LEFT BOTTOM SIDE	65152784		●	●	●	●	●	●	●	●	●	●	●	●	●	●	●	●				
0233	BY-PASS PIPE	65152816		●	●	●	●	●	●	●	●	●	●	●	●	●	●	●	●				
0239	RING NUT (CABLE HOLDER)	926044		●	●	●	●	●	●	●	●	●	●	●	●	●	●	●	●				
0240	CABLE CLAMP	573266		●	●	●	●	●	●	●	●	●	●	●	●	●	●	●	●				
0241	TERMINAL BLOCK, 3 POLES	65152793		●	●	●	●	●	●	●	●	●	●	●	●	●	●	●	●				
0242	COVER GASKET	65152786		●	●	●	●	●	●	●	●	●	●	●	●	●	●	●	●				
0243	EVAPORATOR FILTER COVER	65152773		●	●	●	●	●	●	●	●	●	●	●	●	●	●	●	●				
0244	TWO-WAY SERVICE TAP	65152921		●	●	●	●	●	●	●	●	●	●	●	●	●	●	●	●				
0250	FILTER 16A	65151537		●	●	●	●	●	●	●	●	●	●	●	●	●	●	●	●				
0251	COMPRESSOR CAPACITOR 25UF	65152732		●	●	●	●	●	●	●	●	●	●	●	●	●	●	●	●				
0252	EARTH TERMINAL	65152806		●	●	●	●	●	●	●	●	●	●	●	●	●	●	●	●				
0253	THREADED CONDENSATION DISCHARGE UNION	65154800		●	●	●	●	●	●	●	●	●	●	●	●	●	●	●	●				
0255	TERMINAL BLOCK, 2 POLES	65153299		●	●	●	●	●	●	●	●	●	●	●	●	●	●	●	●				

300



5000



NUOS 200  
NUOS 250  
NUOS 250 SYS  
NUOS 250 TWIN SYS  
AQUANEXT 200  
AQUANEXT 250  
AQUANEXT 250 SYS

	Description	Manf. Pt. N	Type																			From	to																
				1	2	3	4	5	6	7	8	9	10	11	12	13	14	15	16	17	18																		
<b>0300</b>	<b>ELECTRICAL BOX</b>																																						
0301	DISPLAY	65154758							●	●	●																												
	DISPLAY	65154759		●	●	●	●																																
0302	MAIN CONTROL BOARD	65154760		●	●	●	●	●	●	●	●																												
0304	TEMPERATURE SENSOR LOW PRESSURE + AIR	65152812		●	●	●	●	●	●	●	●																												
0306	ELECTRIC BOX - FRONT	65154754		●	●	●	●	●	●	●	●																												
0307	DISPLAY HOLDER	65154755		●	●	●	●	●	●	●	●																												
	DISPLAY HOLDER	65154756									●	●	●																										
0308	ELECTRIC BOX REAR	65154753		●	●	●	●	●	●	●	●																												
0309	RING NUT (CABLE HOLDER)	926044		●	●	●	●	●	●	●	●																												
0310	CABLE CLAMP	573266		●	●	●	●	●	●	●	●																												
0314	EARTH CABLE (MAIN P.C.B.)	65154766		●	●	●	●	●	●	●	●																												
0315	P.C.B. (TDC)	65154761		●	●	●	●	●	●	●	●																												
0316	EARTH CABLE (FILTER)	65154764		●	●	●	●	●	●	●	●																												
0350	CABLE (POWER SUPPLY)	65154762		●	●	●	●	●	●	●	●																												
	CABLE FILTER	65154765		●	●	●	●	●	●	●	●																												
	COMPRESSOR WIRE	65154763		●	●	●	●	●	●	●	●																												
	POWER SUPPLY CABLE (MAIN P.C.B.)	65154767		●	●	●	●	●	●	●	●																												
	POWER SUPPLY CABLE (TDC BOARD)	65154768		●	●	●	●	●	●	●	●																												
	TEMPERATURE SENSOR HIGH PRESSURE	65154769		●	●	●	●	●	●	●	●																												
	WIRING (DISPLAY)	65154771		●	●	●	●	●	●	●	●																												
	WIRING (EBUS AND SG1SG2)	65154772		●	●	●	●	●	●	●	●																												
	WIRING (TDC BOARD)	65154770		●	●	●	●	●	●	●	●																												
<b>5000</b>	<b>ACCESSORIES</b>																																						
5005	CONDENSATE DRAIN (SET)	65154788		●	●	●	●	●	●	●	●																												

## LIST OF THE ABBREVIATIONS

HW .....	: Hot water.
CW .....	: Cold water.
C .....	: Ceramic resistance (normal heating).
Ca .....	: Ceramic resistance (accelerated heating)
TP .....	: Immersion heater.
1F .....	: With fittings.
2F .....	: Without fittings.
3F .....	: With fittings and another outlet connection.
AMI .....	: With mixing valve.
SMI .....	: Without mixing valve.
PUISS .....	: Power of th appliance.
PN .....	: Appliance with normal pression.
LP .....	: Appliance with low pression.
PV .....	: Appliance with variable power.
PF .....	: Appliance with fixed power.

## IDENTIFICATION PLATE

### SERIAL NUMBER

9 Characters : 07 91 00301 (from 01/77 to 12/92)

Month of manufacture \_\_\_\_\_ Sequential number  
Year of manufacture \_\_\_\_\_

10 Characters : 95 01 065004 (from 01/93 to 06/95)

Year of manufacture \_\_\_\_\_ Sequential number  
Month of manufacture \_\_\_\_\_

#### OU

10 Characters : 01 95 065004 (from 07/95)

Month of manufacture \_\_\_\_\_ Sequential number  
Year of manufacture \_\_\_\_\_

12 Characters : 924 2 3 134 0115

Product reference \_\_\_\_\_ Sequential number  
Year of manufacture \_\_\_\_\_ Manufacturing day

15 ou 16 Characters : (0)03 070 0001 893077 (from 01/97 to 01/05)

Year of manufacture \_\_\_\_\_ Product reference  
Day of manufacture \_\_\_\_\_ Sequential number

#### OU

16 Characters : 05 070 0001 0000000 (from 02/05)

Year of manufacture \_\_\_\_\_ Product reference  
Day of manufacture \_\_\_\_\_ Sequential number

17 Characters : 07 070 00315 3070107

Year of manufacture \_\_\_\_\_ Product reference  
Sequential number  
Manufacturing day (70)

21 Characters : 3000115 XX 08115 0000001

Product reference \_\_\_\_\_ Sequential number  
Year (08) / Manufacturing day (115)

22 Characters : 3000115 XX 070416 0000001

Product reference \_\_\_\_\_ Sequential number  
Year (07) / Month (04) / Manufacturing day (16)