

SPARE PARTS EXPLODED VIEW GAS-WALL CONDENSING BOILERS

Model

MIRA C GREEN

R8203186-07 - 18/06/2020

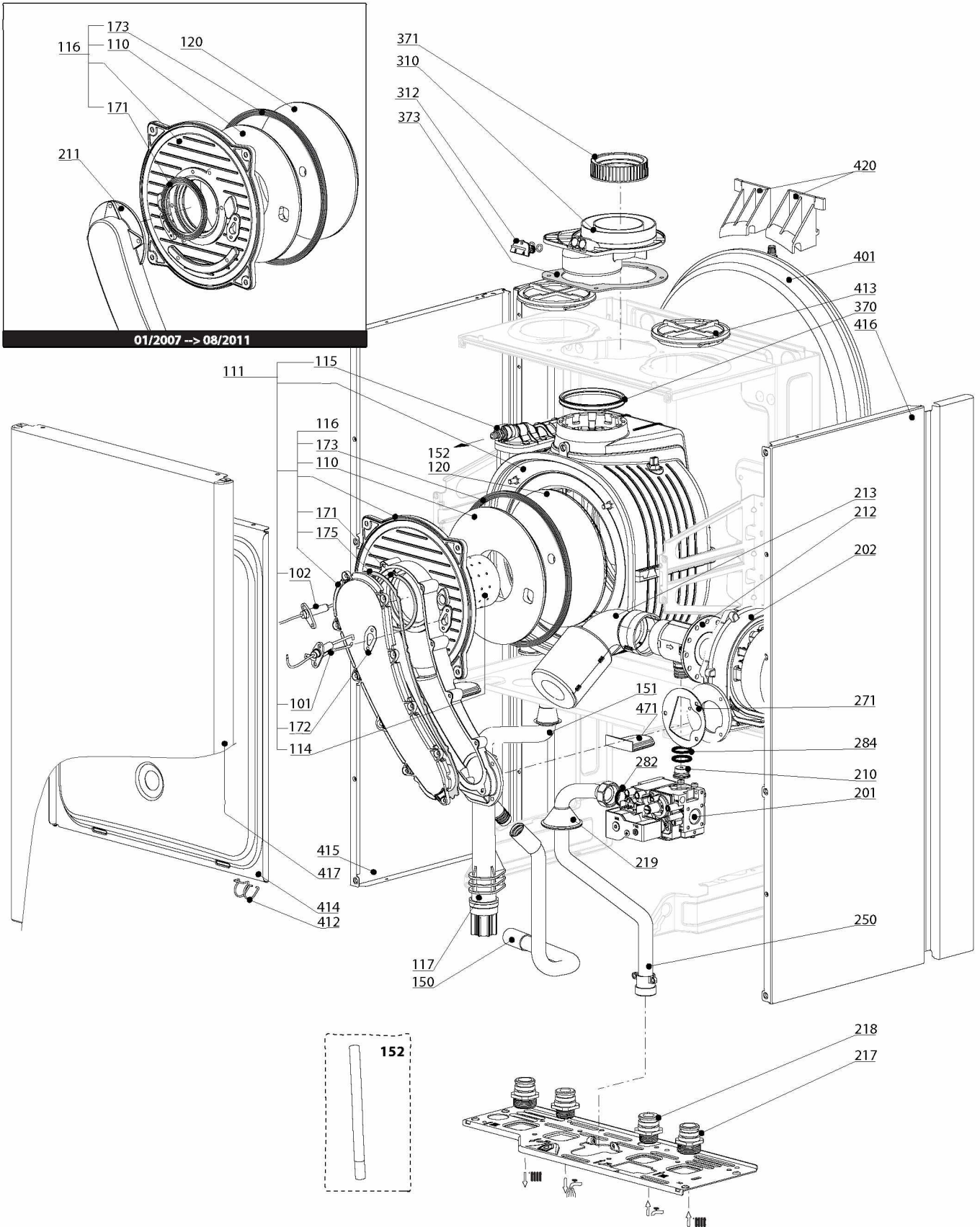
EN	FR	IT	ES	DE	NL
----	----	-----------	----	----	----

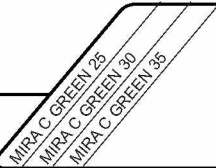

1	3650289	MIRA C GREEN 25 FF N FR	03-2008	12-2009
1	3650339	MIRA C GREEN 25FF P	10-2008	12-2009
1	3310083	MIRA C GREEN 25 FF N FR	02-2010	12-2011
1	3310121	MIRA C GREEN 25FF P	04-2010	11-2010
1	3310151	MIRA C GREEN 25 FF FR + K.E.	02-2010	12-2011
2	3650288	MIRA C GREEN 30 FF N FR	03-2008	12-2009
2	3310104	MIRA C GREEN 30 FF N FR	02-2010	12-2011
2	3310153	MIRA C GREEN 30 FF FR + K.E.	02-2010	12-2011
3	3650287	MIRA C GREEN 35 FF N FR	03-2008	12-2009
3	3310112	MIRA C GREEN 35 FF N FR	12-2009	12-2011
3	3310154	MIRA C GREEN 35 FF FR + K.E.	02-2010	12-2011
Col	Reference	Model type	Begin	End

100
200
300
400

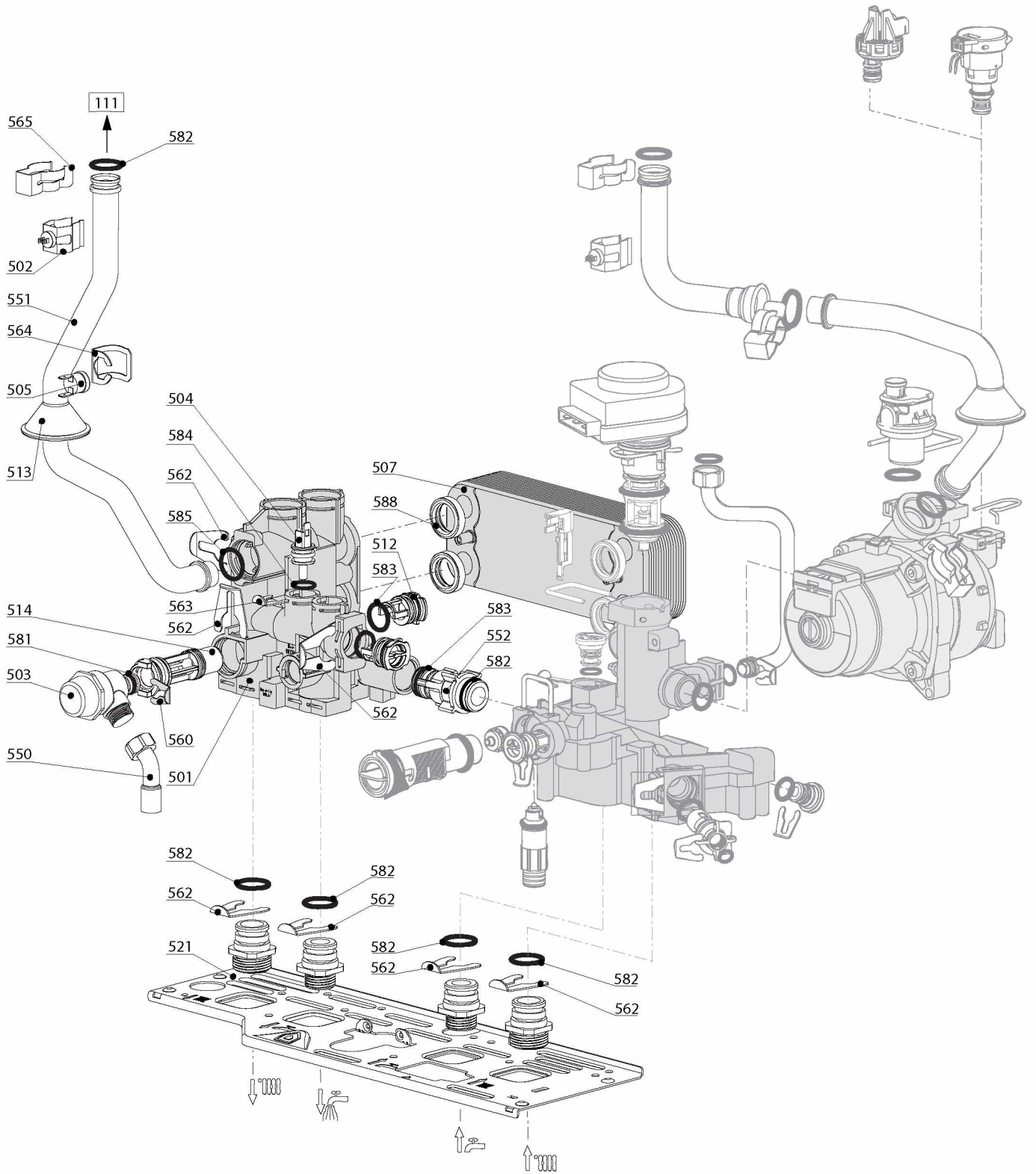
MIRA C GREEN

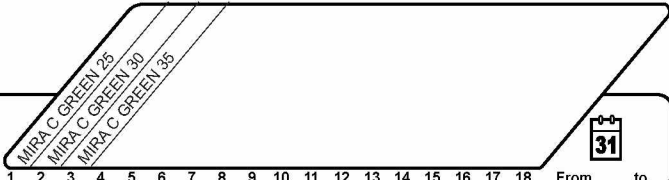
Gas-wall condensing boilers



☰	Description	Manf. Pt N	Type																				
				1	2	3	4	5	6	7	8	9	10	11	12	13	14	15	16	17	18	From	to

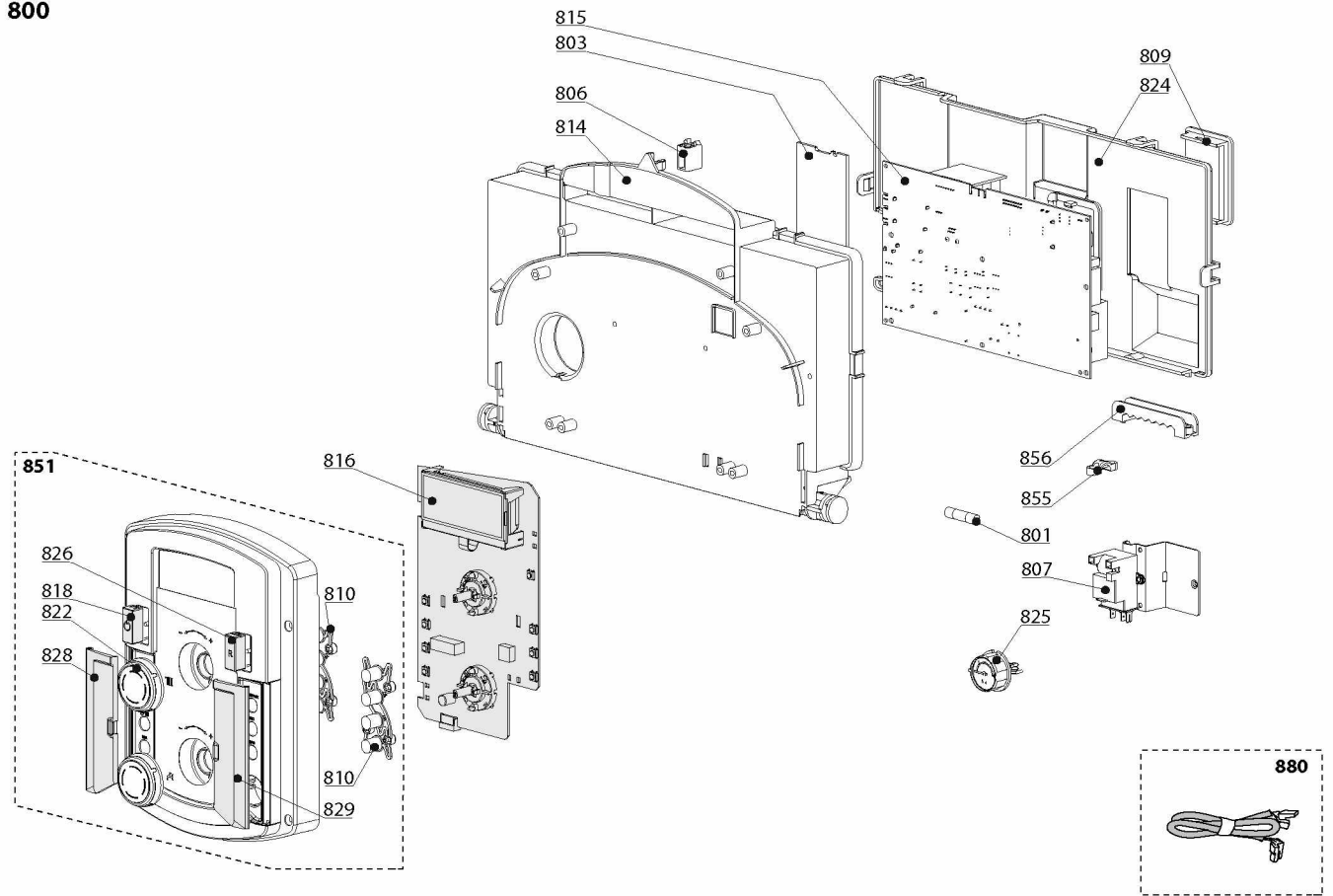
0100 BURNER ASSEMBLY																					
0101	IGNITION ELECTRODE	60000868-01		●	●	●															
0102	IONIZATION ELECTRODE	60000867-01		●	●	●															
0110	INSULATION (FRONT PANEL)	60000297		●	●	●															
0111	HEAT EXCHANGER (18/24KW)	65111608		●																09/11	
	HEAT EXCHANGER (24KW)	60000292		●																	08/11
	HEAT EXCHANGER (30KW)	60000293			●																08/11
	HEAT EXCHANGER (30KW)	65111606			●															09/11	
	HEAT EXCHANGER (35KW)	60000294				●															08/11
	HEAT EXCHANGER (35KW)	65111607				●														09/11	
0114	BURNER 18/24KW	60000288-01		●																	
	BURNER 30KW	60000289-01			●																
	BURNER 35KW	60000287-01				●															
0115	AIR SEPARATOR	60000994		●	●	●															
0116	DOOR ASSY	60000318		●	●	●															08/11
	DOOR ASSY	65111604		●	●	●														09/11	
0117	TRAP	60000987-01		●	●	●															
0120	PANEL (INSULATION - REAR)	65105904		●	●	●															
0150	CONDENSATE DRAIN HOSE D:19 L:500	60000976		●	●	●															
0151	OUTGOING CONDENSATION TUBE	60000858		●	●	●															
0152	SILICONE TUBE D: 8x1 L: 0.15M	60001013		●	●	●															
0171	GASKET D:80.6-1.8	60001610		●	●	●														09/11	
	GASKET D:85-66.5-2.5	61314753		●	●	●															08/11
0172	GASKET (IGNITION ELECTRODE)	60000286-01		●	●	●															
0173	DOOR GASKET	60000623		●	●	●															
0175	GASKET	60001609		●	●	●														09/11	
0200 GAS SECTION																					
0201	GAS VALVE	60000537		●	●	●															
0202	FAN ASSY	60000622		●	●	●															
0210	GAS RESTRICTOR D: 3.80	60000632	GPL	●																	
	GAS RESTRICTOR D: 4.50	60000633	GPL		●																
	GAS RESTRICTOR D: 5.20	60000733	GPL			●															
0211	DUCT FIRST SECTION	60000290		●	●	●															
0212	VENTURI D: 17MM	60000536		●																	
	VENTURI D: 21 MM	60000587			●																
	VENTURI D: 21 MM	60000587				●														09/11	
	VENTURI D: 25 MM	60000621				●															08/11
0213	SILENCER	60000539		●	●	●														08/11	08/11
	SILENCER	65111609		●	●	●														09/11	
0217	UNION (3/4")	65104326		●	●	●															
0218	UNION (1/2")	65104327		●	●	●															
0219	GROMMET	61010109		●	●	●															
0250	GAS TUBE	60000860		●																	
	GAS TUBE	60000974			●																
	GAS TUBE	60000975				●															
0271	GASKET	61306072		●	●	●															
0282	SHEET GASKET D: 24-18.2-1.5	60022835-01		●	●	●															
0284	O-RING 17.76X1.78	61308092		●	●	●															
0300 FAN ASSEMBLY																					
0310	FLUE (EXHAUST MANIFOLD/HEADER)	60000523		●	●	●															
0312	FLUE TEST PORT PLUG	65104295		●	●	●															
0370	SEALING RING 80mm	60000315		●	●	●															
0371	GASKET	60000316		●	●	●															
0373	GASKET	60000317		●	●	●															
0400 SEALED CASE																					
0401	EXPANSION VESSEL 8L	65104261		●	●	●															
0412	SPRING FRONT PANEL (KIT)	65104298		●	●	●															05/09
	SPRING FRONT PANEL (KIT)	65107048		●	●	●															
	SPRING FRONT PANEL (KIT)	65107048		●	●	●														06/09	
0413	AIR RETURN COVER	65104249		●	●	●															
0414	PANEL (FRONT - SEALED CHAMBER)	65105678-02		●	●	●															
0415	CASE PANEL (L.H. SIDE)	65105676		●																	
	LEFT HAND PANEL	60000980			●	●															
0416	CASE PANEL (R.H. SIDE)	65105677		●																	
	RIGHT SIDE PANEL	60000979			●	●															
0417	CASE PANEL (FRONT)	60000983		●	●	●															
0420	EXPANSION VESSEL SUPPORT	65104696		●	●	●															
0471	CABLE INLET RUBBER WASHER	60000541		●	●	●															



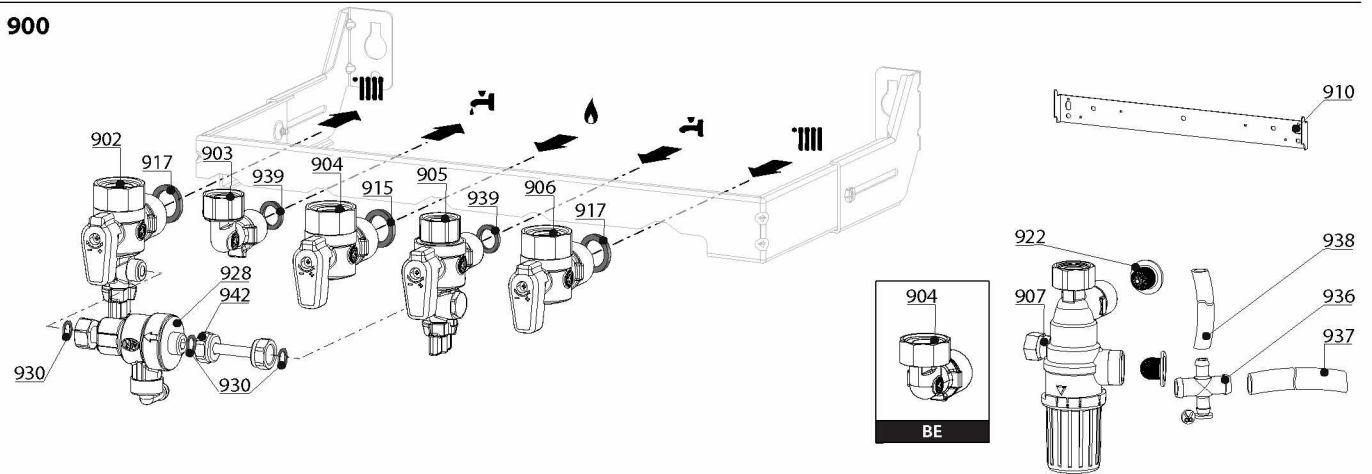


Description	Manf. Pt. N	Type	MIRA C GREEN 25 MIRA C GREEN 30 MIRA C GREEN 35																	
			1	2	3	4	5	6	7	8	9	10	11	12	13	14	15	16	17	18
0600 RETURN GROUP																				
0601 RETURN GROUP	60000874		●	●	●															
0602 LOW PRESSURE SWITCH	65105090		●	●	●															
0603 TEMPERATURE PROBE + CLIP	990686-01		●	●	●															
0604 PUMP 5M 2V WILO	65104319	WILO	●																	
PUMP 6M 2V WILO	60000591	WILO		●	●															
0605 MOTOR (3-WAY VALVE)	61302483-01		●	●	●															
0606 SENSOR (REED)	65104323		●	●	●															
0607 FLOW METER	60000870		●	●	●															
0610 MOTOR+SPRING 3 WAY VALVE KIT	60001583-01		●	●	●															
0612 PLUG	65104377		●	●	●															
0613 RIDUCTORS (KIT)	65104318		●	●	●															
0614 AUTO AIR VENT - WILO	65104703	WILO	●	●	●															
0615 KIT DRAIN SCREW	60001385		●	●	●															
0616 WATER FILTER	60001372		●	●	●															
0617 GROMMET	61010109		●	●	●															
0619 PLUG	65104377		●	●	●															
0650 PIPE (EXPANSION VESSEL)	60000718		●	●	●															
0651 PIPE (C.H. RETURN)	60000857		●	●	●															
0660 CLIP D10	65104260		●	●	●															
0661 CLIP	65104332		●	●	●															
0662 CLIP	61307589		●	●	●															
0663 U-CLIP	65104704		●	●	●															
0664 CLIP	65104322		●	●	●															
0665 CLIP	65104331		●	●	●															
0666 CLIP	60000309		●	●	●															
0667 CLIP D:6	65100680		●	●	●															
0668 CLIP	65104316		●	●	●															
0680 GASKET 3/8 in	573521		●	●	●															
0681 O-RING 9.19X2.62	65104313		●	●	●															
0682 O-RING 17.04X3.53	65104262		●	●	●															
0683 O-RING 23.47X2.62	65104315		●	●	●															
0684 O-RING 3X35 EPDM 75 SH	65104705		●	●	●															
0686 O-RING 15.54X2.62	65104325		●	●	●															
0687 O-RING 5.7X1.9	61009834-10		●	●	●															
0688 O-RING 21.89X2.62	65104320		●	●	●															
0689 O-RING 17.17X1.78	65104303		●	●	●															
0690 O-RING 8.9X2.7	61009834-14		●	●	●															
0691 O-RING 17.86X2.62	61308091		●	●	●															

800



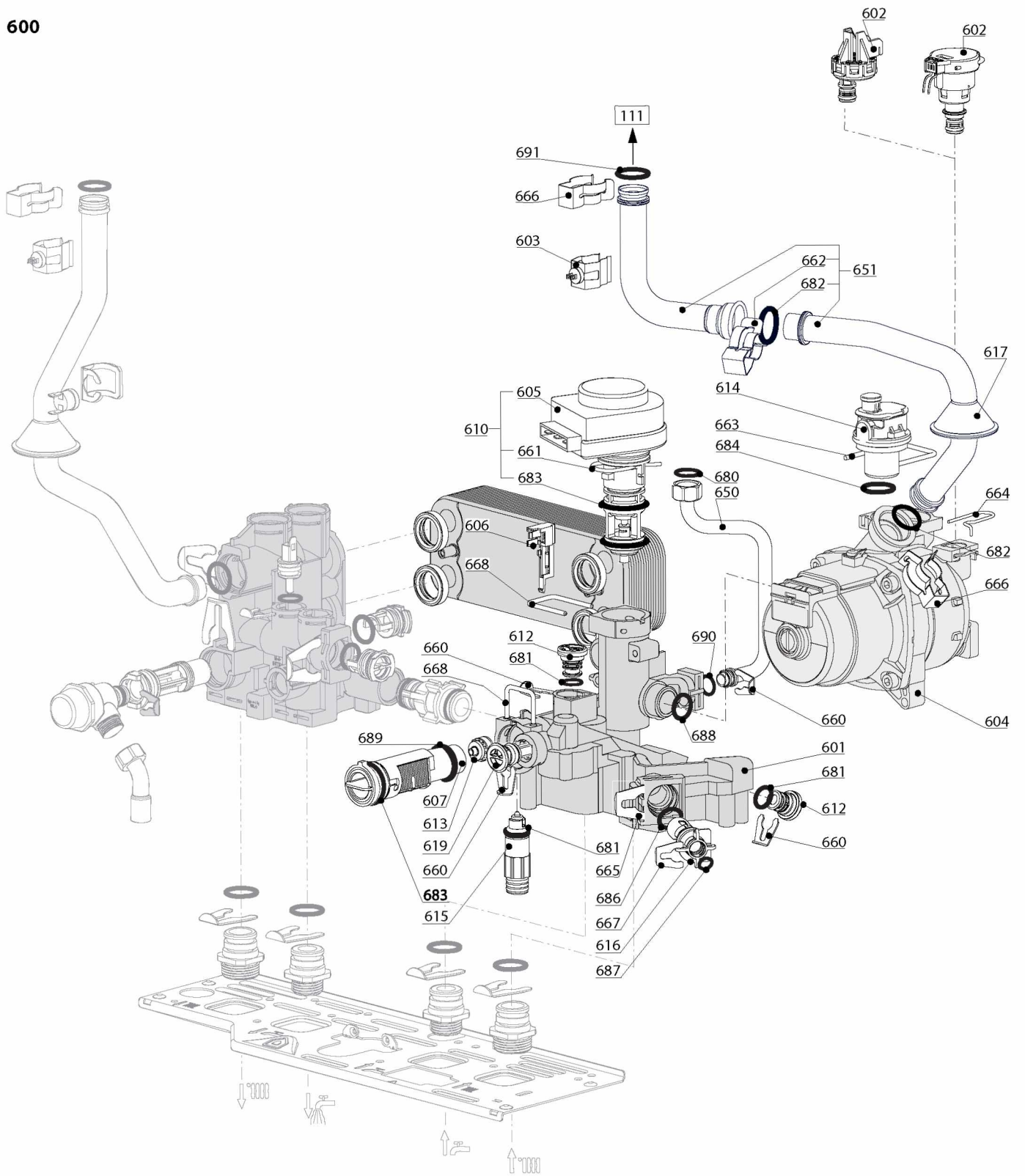
900



5000

- 5001**
- Gas conv. LPG G30/G31
 - Transf. gaz GPL G30/G31
 - Trasf. gas GPL G30/G31
 - Transf. gas GLP G30/G31
 - Flussiggas Umstellset
 - F-gas G30/G31
 - Ombouset
 - LPG G30/G31

- 5020**
- Accessories
 - Options
 - Opzioni
 - Accessorio
 - Zubehör
 - Opties



LIST OF THE ABBREVIATIONS

HW	: Hot water.
CW	: Cold water.
C	: Ceramic resistance (normal heating).
Ca	: Ceramic resistance (accelerated heating)
TP	: Immersion heater.
1F	: With fittings.
2F	: Without fittings.
3F	: With fittings and another outlet connection.
AMI	: With mixing valve.
SMI	: Without mixing valve.
PUISS	: Power of th appliance.
PN	: Appliance with normal pression.
LP	: Appliance with low pression.
PV	: Appliance with variable power.
PF	: Appliance with fixed power.

IDENTIFICATION PLATE

SERIAL NUMBER

10 Characters :

04 05 125 011

Year of manufacture
Manufacturing day
Sequential number

11 Characters :

1 95 065004 - 31

Month of manufacture :
from 1 to 9 → Jan. to Sep.,
O → Oct., N → Nov.,
D → Dec.

Year of manufacture
Sequential number
Technical number of the appliance

19 Characters :

08 05 0013199 900640031

Year of manufacture
Month of manufacture
Product reference
Sequential number

20 Characters :

3675007 XX 2 07 070 00315

Product reference
Millenium of manufacture
Sequential number
Manufacturing day
Year of manufacture

21 Characters :

3675007 XX 07 070 0000315

Product reference
Year of manufacture
Sequential number
Manufacturing day