

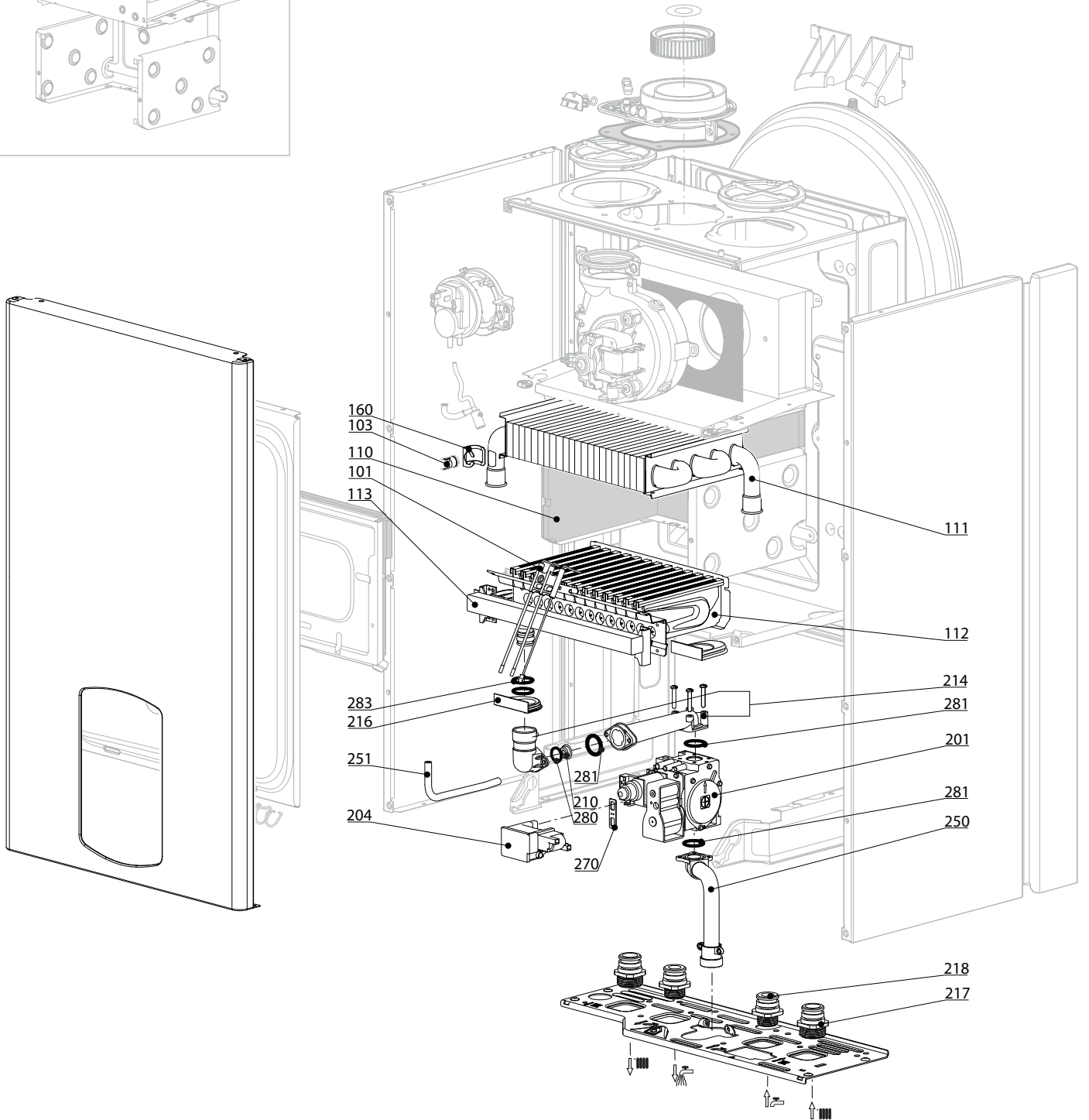
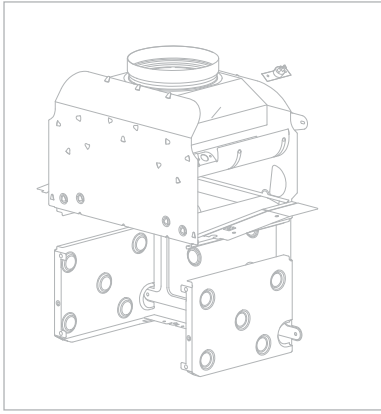
SPARE PARTS EXPLODED VIEW GAS WALL BOILERS

Model

PIGMA

R8203109-05 - 23/03/2012

1	3650212	PIGMA 25 CF N FR
1	3650213	PIGMA 25 CF B/P FR
2	3650214	PIGMA 25 VMC FR
3	3650215	PIGMA 25 FF N FR	01/08	...
3	3650216	PIGMA 25 FF B/P FR
4	3650217	PIGMA 30 FF N FR
Col	Reference	Model type	Begin	End

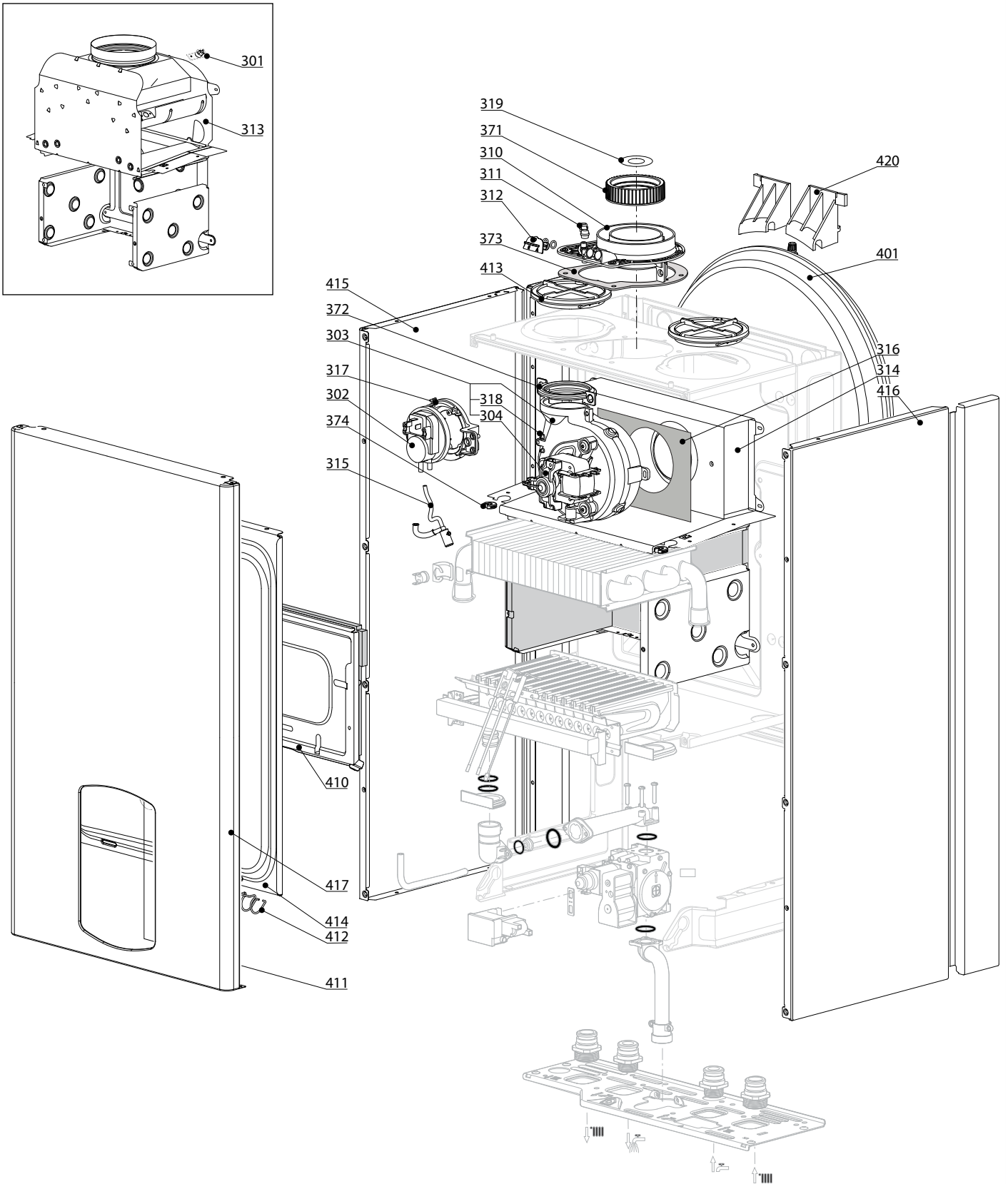


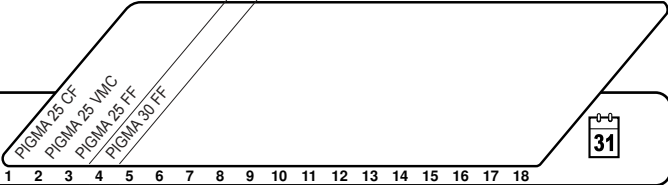
Description	Manf. Pt. N	Type																			31
			1	2	3	4	5	6	7	8	9	10	11	12	13	14	15	16	17	18	
0100 BURNER ASSEMBLY																					
0101 ELECTRODE (IGNITION/DETECTION)	65104549		•	•	•	•															
0103 THERMOSTAT 102°	65104500		•	•	•	•															
0110 PANELS (KIT)	65104695				•															02/08	
PANELS (KIT)	65104695		•	•		•															
PANELS (KIT)	65106298				•															03/08	
0111 MAIN EXCHANGER	65104246				•															02/08	
MAIN EXCHANGER	65104246					•															
MAIN EXCHANGER	65104247		•	•																	
MAIN EXCHANGER	65106297				•															03/08	
0112 BURNER 13NP	65104220				•															02/08	
BURNER 13NP	65104220		•	•		•															
BURNER 11NP	65106294				•															03/08	
0113 GAS MANIFOLD 13 INJ. D:0.76	65104223	B/P			•															02/08	
GAS MANIFOLD 13 INJ. D:0.76	65104223	B/P	•																		
GAS MANIFOLD 11 INJ. D:0.80	65106605	B/P			•															03/08	
GAS MANIFOLD 13 INJ. D:1.32	65104226	NAT				•															
GAS MANIFOLD 13 INJ. D:1.25	65104302	NAT			•															02/08	
GAS MANIFOLD 13 INJ. D:1.25	65104302	NAT	•	•																	
GAS MANIFOLD 11 INJ. D:1.32	65106302	NAT				•														03/08	
0160 CLIP	61010050		•	•	•	•															
0200 GAS SECTION																					
0201 GAS VALVE	65104254		•	•	•	•															
0204 SPARK GENERATOR	65104653		•	•	•	•															
0210 RESTRICTOR D: 6.3	60000018	NAT			•															02/08	
RESTRICTOR D: 6.3	60000018	NAT	•	•																	
RESTRICTOR D: 5.7	60000498	NAT			•															03/08	
RESTRICTOR D: 7	65105152	NAT				•															
0214 PIPE (GAS VALVE/BURNER)	65104230		•	•	•	•															
0216 GROMMET	60000624		•	•	•	•															
0217 UNION (3/4)	65104326		•	•	•	•															
0218 UNION (1/2)	65104327		•	•	•	•															
0250 GAS TUBE	60000720		•	•	•	•															
0251 EPDM PIPE	65104296				•	•															
0270 GASKET (SPARK GENERATOR)	574279		•	•	•	•															
0280 O-RING D: 14-2.00	60000903	NAT	•	•	•	•															
0281 O-RING 22,22X2,62	65104304		•	•	•	•															
0283 O-RING 17,17X1,78	65104303		•	•	•	•															

300
400

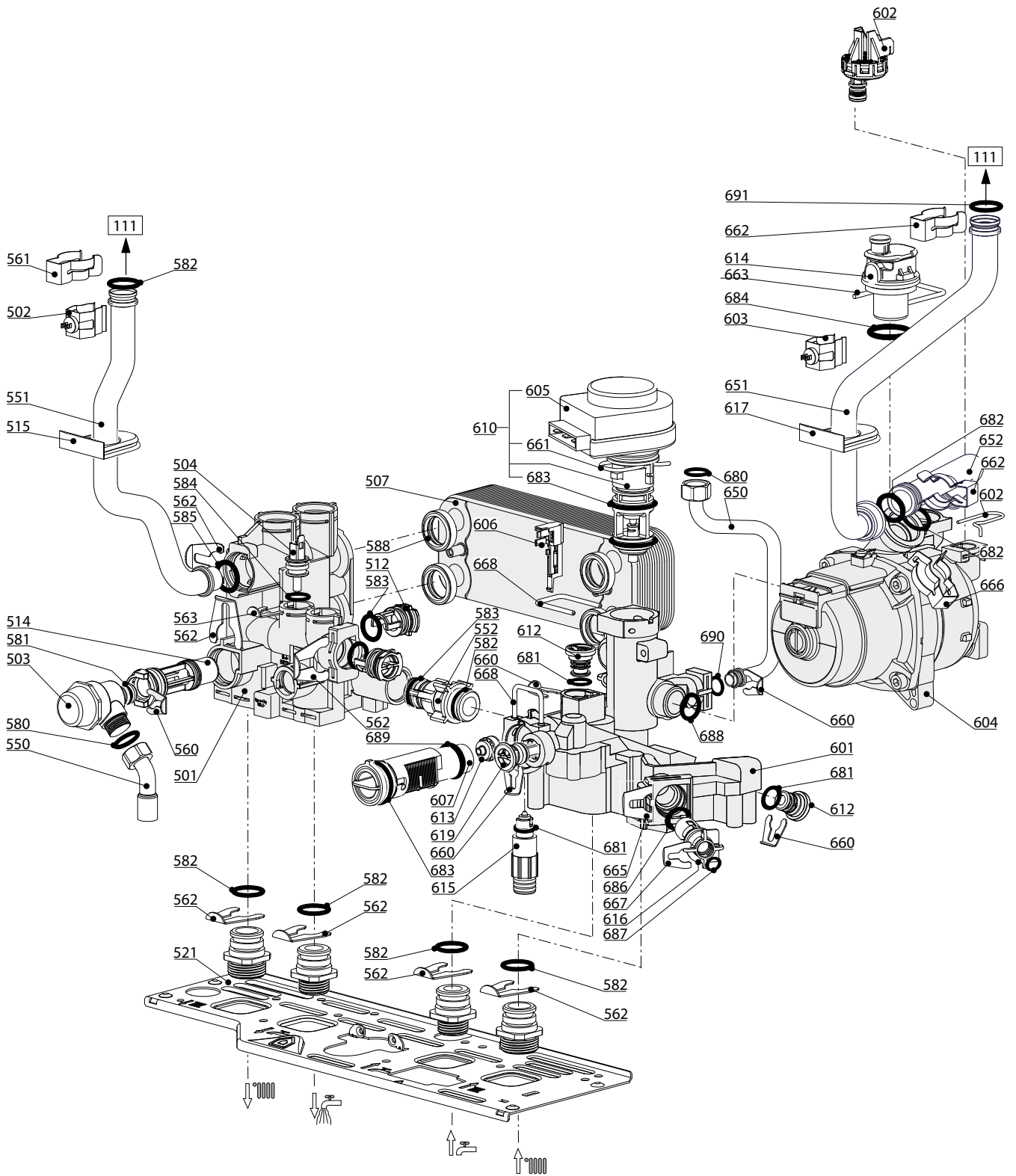
PIGMA

Domestic Gas Boilers

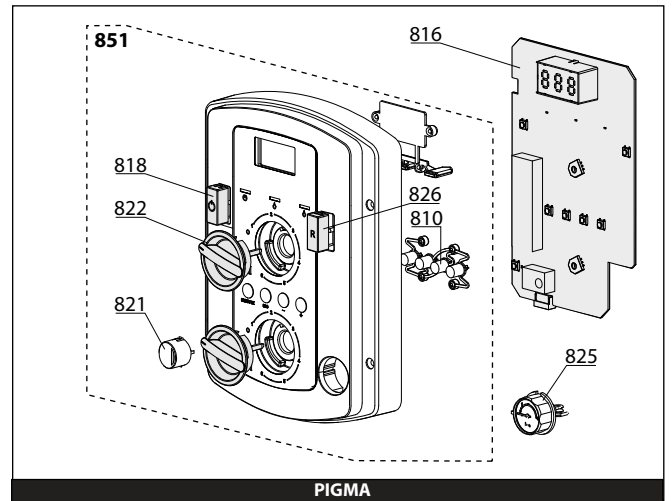
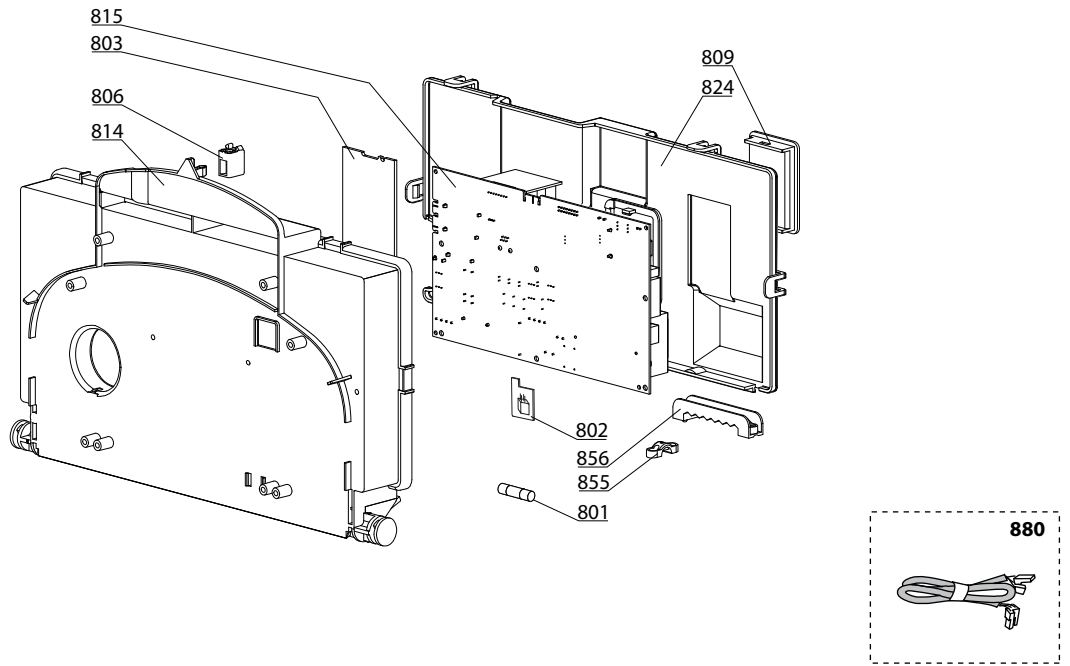




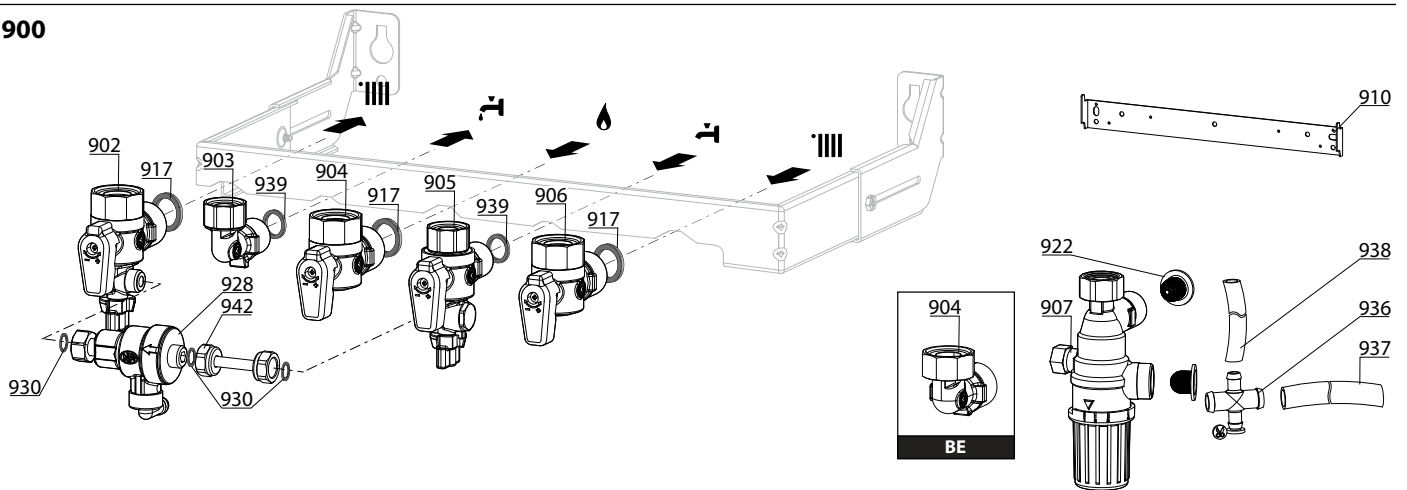
Description	Manf. Pt. N	Type	Component Grid																	
			1	2	3	4	5	6	7	8	9	10	11	12	13	14	15	16	17	18
0300 FAN ASSEMBLY																				
0301 OVERHEAT THERMOSTAT 49C	61310767				•															
THERMOSTAT 75-65°C	999539			•																
0302 AIR PRESSURE SWITCH 50 Pa	65104671-01					•														
AIR PRESSURE SWITCH 74 Pa	65104672-01						•													
0303 FAN	65104357					•														
FAN	65104452						•													
0310 FLUE (EXHAUST MANIFOLD / HEADER)	65105393					•	•													
0311 AIR INTAKE COVER	573329					•	•													
0312 FLUE INTAKE PLUG	65104295					•	•													
0313 COMBUSTION CHAMBER 24CF	65104218			•	•															
0314 COMBUSTION CHAMBER 24/28 FF	65104219						•												02/08	
COMBUSTION CHAMBER 24/28 FF	65104219							•												
COMBUSTION CHAMBER 24/28 FF	65106295							•											03/08	
0315 CONDENSATE TRAP	65104623						•	•												
0316 PANEL (INSULATION - FAN)	65104305						•	•												
0317 SUPPORT (AIR PRESSURE SWITCH)	65104378						•	•												
0318 VENTURI 28/30FF	65106515							•												
VENTURI 15/24FF	65106516							•												
0319 RESTRICTOR KIT	60001598						•	•												
0371 COLLAR GASKET	65104258						•	•												
0372 FAN GASKET	65104257						•	•												
0373 GASKET	60000317						•	•												
0374 CABLE INLET RUBBER WASHER	60000716			•	•	•	•													
0400 SEALED CASE																				
0401 EXPANSION VESSEL	65104261			•	•	•	•													
0410 PANEL (COMBUSTION CHAMBER)	65104240					•													02/08	
PANEL (COMBUSTION CHAMBER)	65104240			•	•		•													
PANEL (COMBUSTION CHAMBER)	65106296						•												03/08	
0411 SIGHT GLASS	65104232						•	•												
0412 SPRING FRONT PANEL (KIT)	65104298						•	•												
0413 AIR RETURN COVER	65104249						•	•												
0414 PANEL (FRONT - SEALED CHAMBER)	65105678						•	•												
0415 CASE PANEL (L.H. SIDE)	65105676			•	•	•	•													
0416 CASE PANEL (R.H. SIDE)	65105677			•	•	•	•													
0417 CASE PANEL (FRONT)	60000983			•	•	•	•													
0420 EXPANSION VESSEL SUPPORT	65104696			•	•	•	•													



☉→	Description	Manf. Pt. N	Type																		
				1	2	3	4	5	6	7	8	9	10	11	12	13	14	15	16	17	18
0500	FLOW GROUP																				
0501	FLOW GROUP	60000844		●	●	●	●														
0502	TEMPERATURE PROBE + CLIP	990686		●	●	●	●														
0503	PRESSURE RELIEF VALVE 3 BAR	61312668		●	●	●	●														
0504	NTC PROBE	65104338		●	●	●	●														
0507	WATER / WATER HEAT EXCHANGER 16	65104333		●	●	●	●														
0512	PLUG	65104445		●	●	●	●														
0514	BY-PASS	65104336		●	●	●	●														
0515	GROMMET	60000808		●	●	●	●														
0521	HYDRAULIC GROUP SUPPORT	60001375		●	●	●	●														
0550	PIPE (SAFETY VALVE)	65104447		●	●	●	●														
0551	HEATING FLOW TUBE	60000991					●												02/08		
	HEATING FLOW TUBE	60000991		●	●		●														
	HEATING FLOW TUBE	60001133					●												03/08		
0552	BY-PASS PIPE	65104340		●	●	●	●														
0560	CLIP D:10	65104260		●	●	●	●														
0561	CLIP	61307589		●	●	●	●														
0562	CLIP D=18	65104259		●	●	●	●														
0563	CLIP	65104339		●	●	●	●														
0580	SHEET GASKET D: 13.9-10.4-1.5	60061853-02		●	●	●	●														
0581	O - RING (15.88X2.62)	65104337		●	●	●	●														
0582	O-RING D: 17.86-2.62	61308091		●	●	●	●														
0583	O - RING (15.54X2.62)	65104325		●	●	●	●														
0584	O-RING D: 11.91-2.62	60000850		●	●	●	●														
0585	O-RING 3,53X17,04	65104262		●	●	●	●														
0588	EXCHANGER GASKET	65104334		●	●	●	●														
0600	RETURN GROUP																				
0601	RETURN GROUP	60000874		●	●	●	●														
0602	LOW PRESSURE SWITCH	65105090					●														
0603	TEMPERATURE PROBE + CLIP	990686		●	●	●	●														
0604	PUMP 5M 1V	60000876					●														
	PUMP 4M 1V	60001584		●	●	●	●														
0605	MOTOR - THREE-WAY VALVE	61302483-01		●	●	●	●														
0606	SENSOR (REED)	65104323		●	●	●	●														
0607	FLOW METER	60000870		●	●	●	●														
0610	MOTOR + SPRING 3 WAY VALVE KIT	60001583		●	●	●	●														
0612	PLUG	65104377		●	●	●	●														
0613	RIDUCTORS (KIT)	65104318		●	●	●	●														
0614	AUTO AIR VENT WITH O-RING	65104703		●	●	●	●														
0615	KIT DRAIN SCREW	60001385		●	●	●	●														
0616	WATER FILTER	60001372		●	●	●	●														
0617	GROMMET	60000807		●	●	●	●														
0619	PLUG	65104377		●	●	●	●														
0650	PIPE (EXPANSION VESSEL)	60000718		●	●	●	●														
0651	HEATING RETURN TUBE	60000723					●												02/08		
	HEATING RETURN TUBE	60000723		●	●		●														
	HEATING RETURN TUBE	60001132					●												03/08		
0652	HEATING RETURN TUBE	60000992		●	●	●	●														
0660	CLIP D:10	65104260		●	●	●	●														
0661	CLIP	65104332		●	●	●	●														
0662	CLIP	61307589		●	●	●	●														
0663	U-CLIP	65104704		●	●	●	●														
0664	CLIP	65104322					●														
0665	CLIP	65104331		●	●	●	●														
0666	CLIP	60000309		●	●	●	●														
0667	CLIP	65100680		●	●	●	●														
0668	CLIP	65104316		●	●	●	●														
0680	GASKET 3/8	573521		●	●	●	●														
0681	O - RING (9.19X2.62)	65104313		●	●	●	●														
0682	O-RING 3,53X17,04	65104262		●	●	●	●														
0683	O - RING (23.47X2.62)	65104315		●	●	●	●														
0684	O-RING	65104705		●	●	●	●														
0686	O - RING (15.54X2.62)	65104325		●	●	●	●														
0687	O RING D: 5.7-1.9	61009834-10		●	●	●	●														
0688	O - RING (21.89X2.62)	65104320		●	●	●	●														
0689	O-RING 17,17X1,78	65104303		●	●	●	●														
0690	O-RING D: 8.9-2.7	61009834-14		●	●	●	●														
0691	O-RING D: 17.86-2.62	61308091		●	●	●	●														



900



5000

5001	5002	5020
Transf. gaz > B/P	Transf. gaz > Nat	Options
Conv. gas > LPG	Conv. gas > Nat	Accessories
Trasf. gas > GPL	Trasf. gas > Met	Opzioni
Transf. gas > B/P	Transf. gas > Met	Accessorio
Umrustsatz > B/P	Umrustsatz > Nat	Option

☉⇒	Description	Manf. Pt. N	Type																			31
				1	2	3	4	5	6	7	8	9	10	11	12	13	14	15	16	17	18	
0800	ELECTRICAL BOX																					
0801	FUSE 250V 2A - TEMPORIZED	61003456		•	•	•	•															
0802	MODULE KIT (EEPROM)	65105148		•	•	•	•															
0803	P.C.B (CLIP-IN) E-BUS	65109108		•	•	•	•															
0806	PUSH	65104228		•	•	•	•															
0809	INSPECTION COVER	65104294		•	•	•	•															
0810	PUSH BUTTON	60000978		•	•	•	•															
0814	CONTROL PANEL	65104300		•	•	•	•															
0815	P.C.B. (MAIN)	65109313-02		•	•	•	•															
0816	PRINTED CIRCUIT BOARD (DISPLAY)	60000817-01		•	•	•	•															
0818	PUSH BUTTON ON/OFF	60000836		•	•	•	•															
0821	PUSH BUTTON	60000835		•	•	•	•															
0822	KNOB	60001003		•	•	•	•															
0824	CONTROL PANEL COVER (REAR)	65104293		•	•	•	•															
0825	PRESSURE GAUGE	60000725		•	•	•	•															
0826	BUTTON (RESET)	60000806		•	•	•	•															
0851	FRONT CONTROL PANEL COMPLETE	60000833		•	•	•	•															
0855	CABLE CLAMP	571562		•	•	•	•															
0856	CABLE CLAMP	65103377		•	•	•	•															
0880	EARTH WIRE	65104286		•	•	•	•															
	DISPLAY WIRING	60000746	/ CN02	•	•	•	•															
	NTC - PRES. SENSOR - GAS VALVE CABLE	60000840	/ CN04	•	•	•	•															
	IONIZATION ELECTRODE CABLE	65104518	/ CN05	•	•	•	•															
	SHUNT CABLE	60000839	/ CN07		•																	
	THREE WAY VALVE CABLE	65104523	/ CN09	•	•	•	•															
	PUMP 1V CABLE	65105081	/ CN10	•	•	•	•															
	FAN CABLE	65107270	/ CN10			•	•															
	CLIP-IN E-BUS WIRING	65105169	/ CN11	•	•	•	•															
	FLOW METER CABLE	60000813	/ CN14	•	•	•	•															
	FEEDER 240V	60000993	/ CN20	•	•	•	•															
	NTC - OVERHEAT THER. - PRES SWITCH CABLE	60000814	/ CN22			•	•															
	NTC PROBE - OVERHEAT THERMOSTAT CABLE	60000838	/ CN22		•																	
	ROOM THERMOSTAT CABLE	60000988	/ CN25	•	•	•	•															
	NTC PROBE - OVERHEAT THERMOSTAT CABLE	65104708	/ CN22	•																		
0900	JIG PLATE & PIPE FITTING																					
0902	WATER FLOW SERVICE TAP	60000886		•	•	•	•															
0903	HOT WATER CONNECTION	60000891		•	•	•	•															
0904	GAS SERVICE TAP	60000898		•	•	•	•															
	UNION	65105631		•	•	•	•															
0905	COLD WATER TAP	60000894		•	•	•	•															
0906	WATER FLOW & RETURN SERVI. TAP	60000885		•	•	•	•															
0907	THERMOSTATIC MIXING VALVE	60001081		•	•	•	•															
0910	WALL HOOK	60000625		•	•	•	•															
0917	SHEET GASKET D: 24-17-1.5	60061855-19		•	•	•	•															
0922	FILTER	60001087		•	•	•	•															
0928	DISCONNECTOR	60000881		•	•	•	•															
0930	SHEET GASKET D: 11-5-1.5	60061853-07		•	•	•	•															
0936	UNION	60000879		•	•	•	•															
0937	TUBE PVC D: 13x17 L: 1M	60081266-02		•	•	•	•															
0938	TUBE PVC D: 9x12 L: 1M	60081266		•	•	•	•															
0939	SHEET GASKET D: 16.5-11-1.5	60061854-14		•	•	•	•															
0942	FILLER NECK	60001078		•	•	•	•															
5000	ACCESSORIES																					
5001	BURNER JET FULL KIT (LPG)	65104582					•															
	BURNER JET FULL KIT (LPG)	65106690		•		•																
5002	BURNER JET FULL KIT (NG) FR	65104585					•															
	BURNER JET FULL KIT (NG) FR	65106692		•		•																
5020	ROD PLATE	60000999		•	•	•	•															

LIST OF THE ABBREVIATIONS

HW	: Hot water.
CW	: Cold water.
C	: Ceramic resistance (normal heating).
Ca	: Ceramic resistance (accelerated heating)
TP	: Immersion heater.
1F	: With fittings.
2F	: Without fittings.
3F	: With fittings and another outlet connection.
AMI	: With mixing valve.
SMI	: Without mixing valve.
PUISS	: Power of th appliance.
PN	: Appliance with normal pression.
LP	: Appliance with low pression.
PV	: Appliance with variable power.
PF	: Appliance with fixed power.

IDENTIFICATION PLATE

SERIAL NUMBER

10 Characters :	04 05 125 011	
		Sequential number
		Manufacturing day
		Year of manufacture
11 Characters :	1 95 065004 - 31	
Month of manufacture :		Technical number of the appliance
from 1 to 9 → Jan. to Sep.,		Sequential number
O → Oct., N → Nov.,		Year of manufacture
D → Dec.		
19 Characters :	08 05 0013199 900640031	
Year of manufacture		Product reference
Month of manufacture		Sequential number
20 Characters :	3675007 XX 2 07 070 00315	
Product reference		Sequential number
Millenium of manufacture		Manufacturing day
		Year of manufacture
21 Characters :	3675007 XX 07 070 0000315	
Product reference		Sequential number
Year of manufacture		Manufacturing day

The indications mentioned on the prices, commercial or technical literature and the scheme are written for your guidance and are available at a given time. The CONSTRUCTOR retains the power to modify the presentation, the form, the size, the conception or the material of the products.