

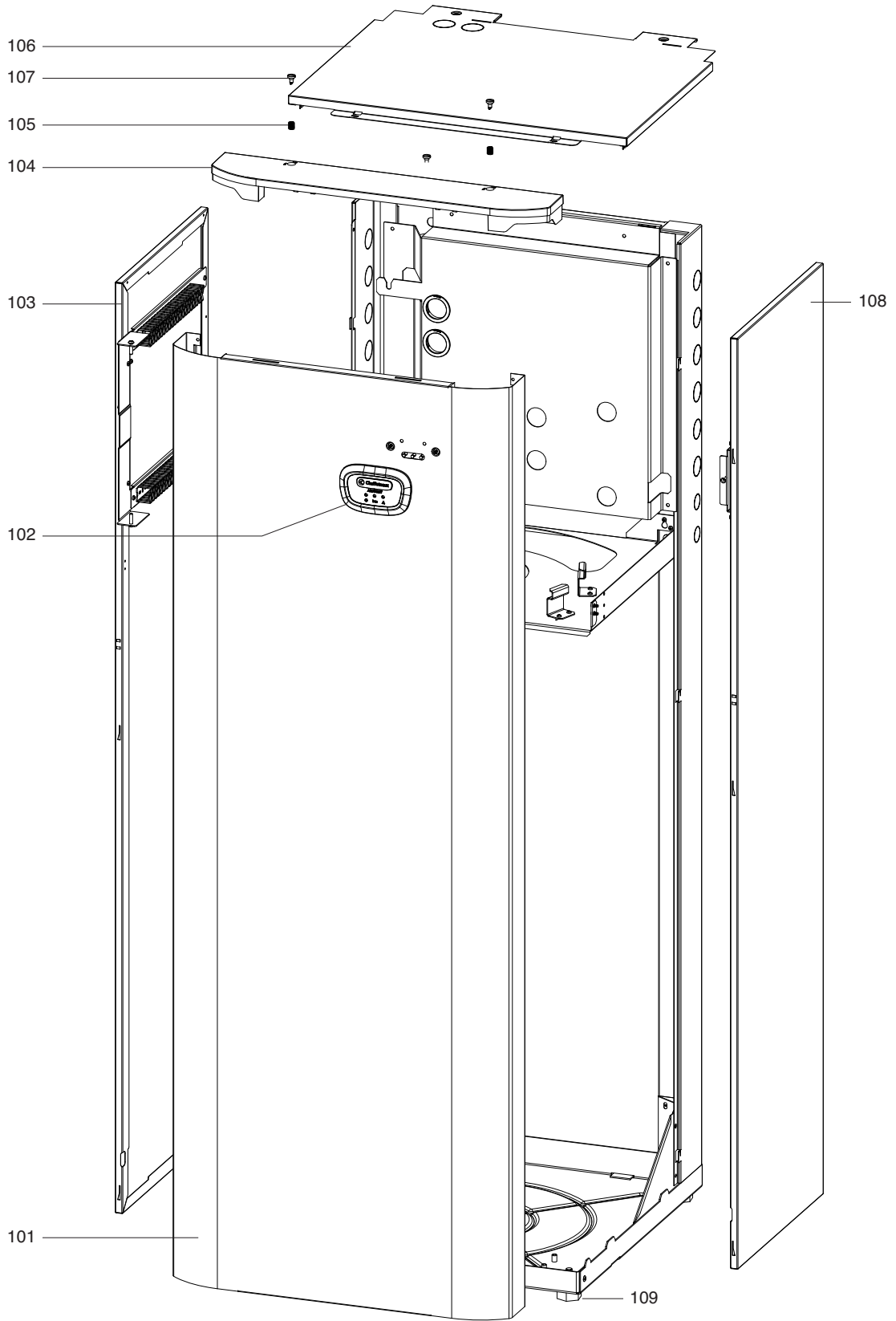
SPARE PARTS EXPLODED VIEW HEAT PUMPS

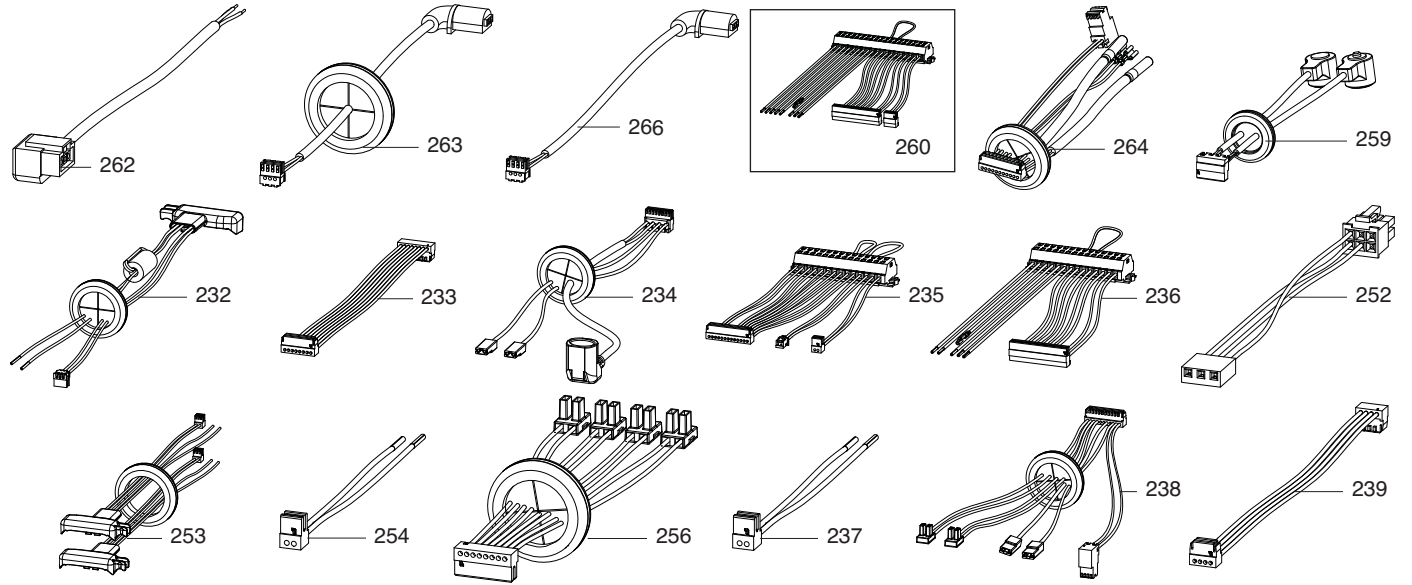
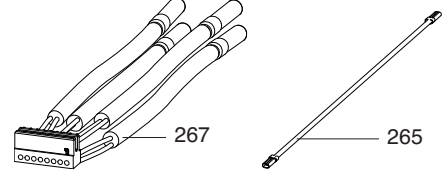
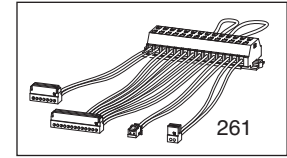
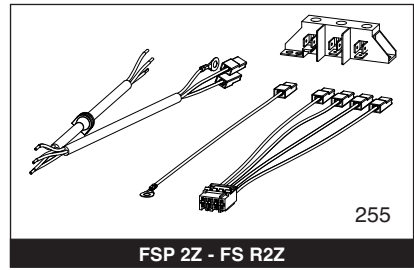
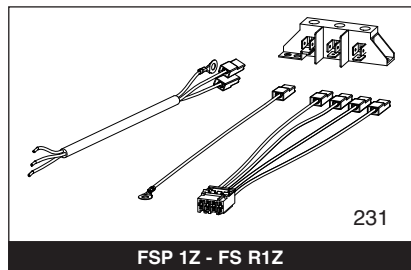
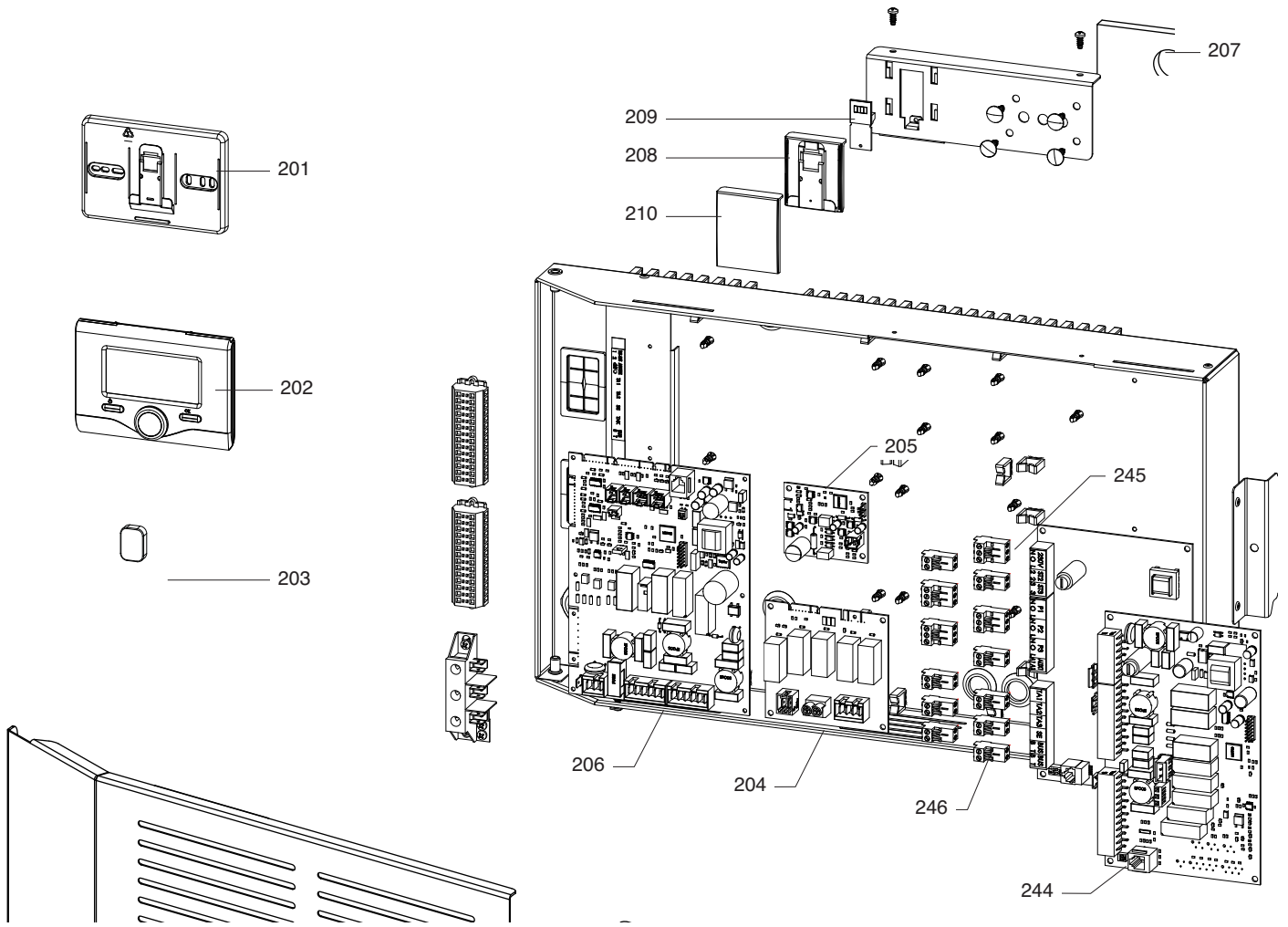
Model

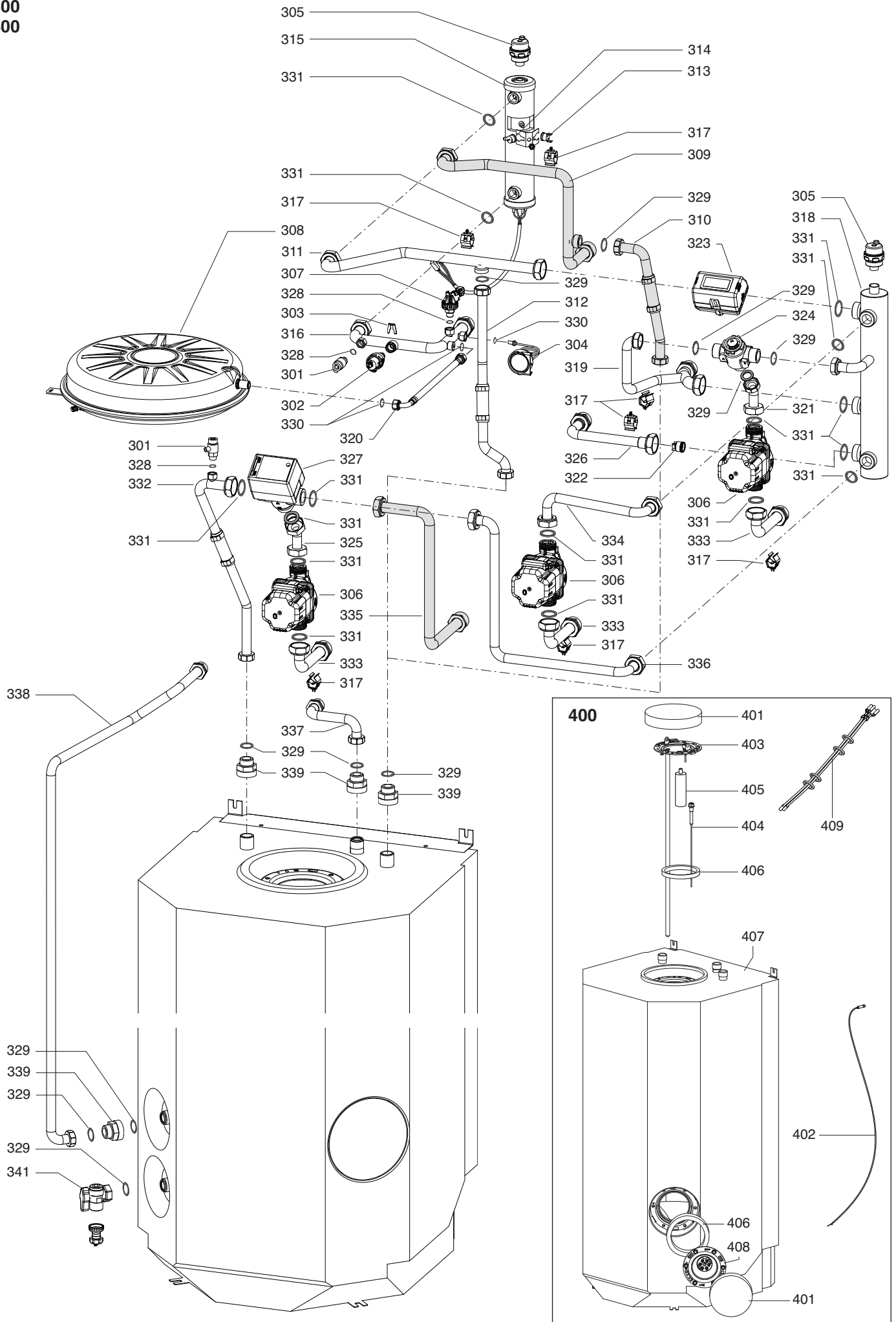
ARIANEXT FSP

R8217014-07 - 08/03/2019

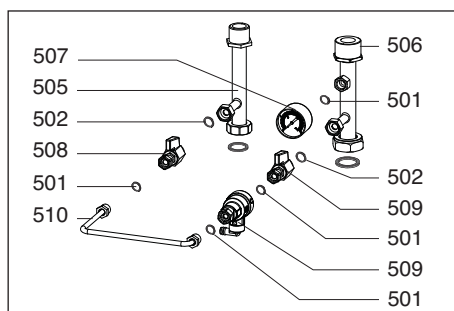
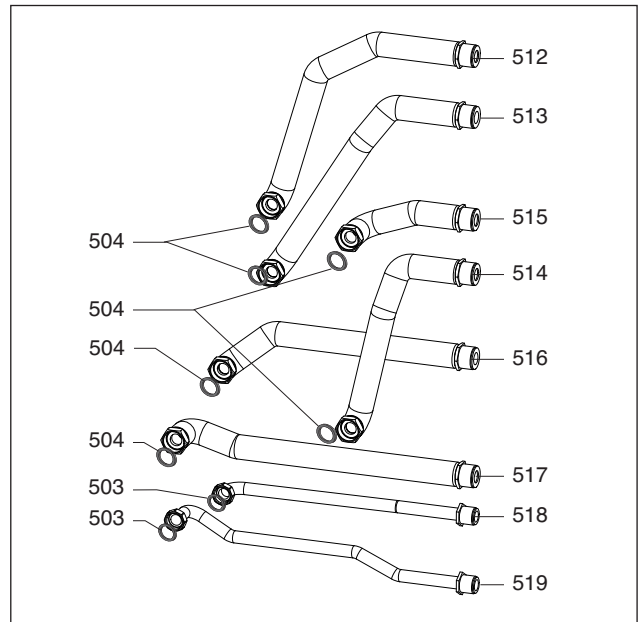
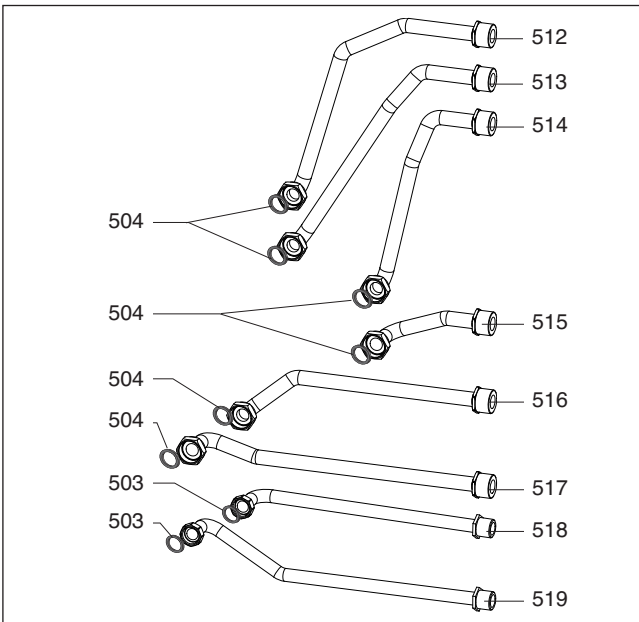
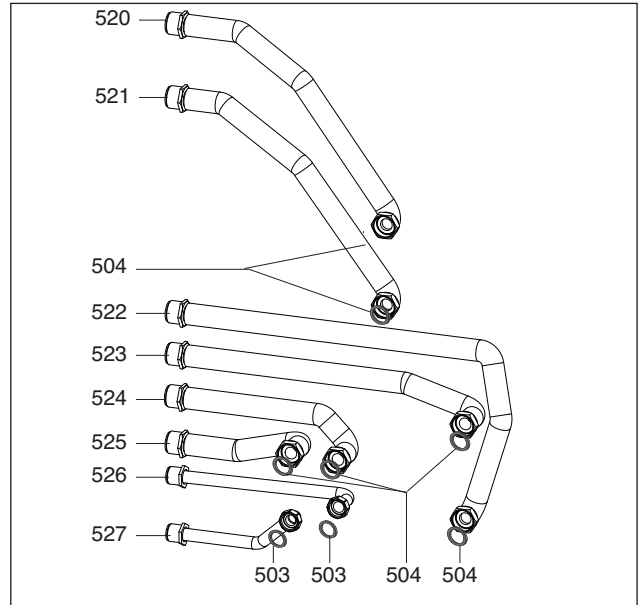
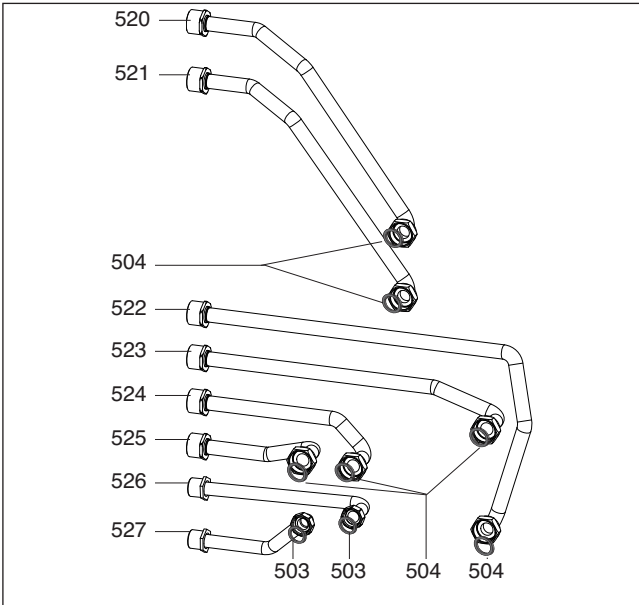
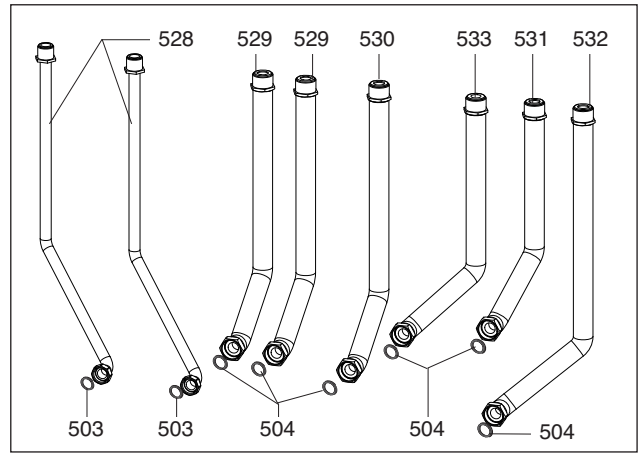
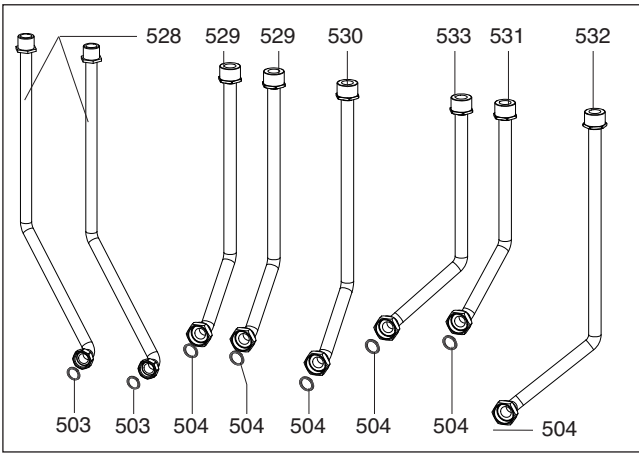
1	3310237	ARIANEXT FSP 1Z	02-2014	09-2017
2	3310248	ARIANEXT FSP 2Z	02-2014	09-2017
3	3310394	ARIANEXT FSP-R 1Z	08-2015	09-2017
4	3310395	ARIANEXT FSP-R 2Z	08-2015	09-2017
Col	Reference	Model type	Begin	End





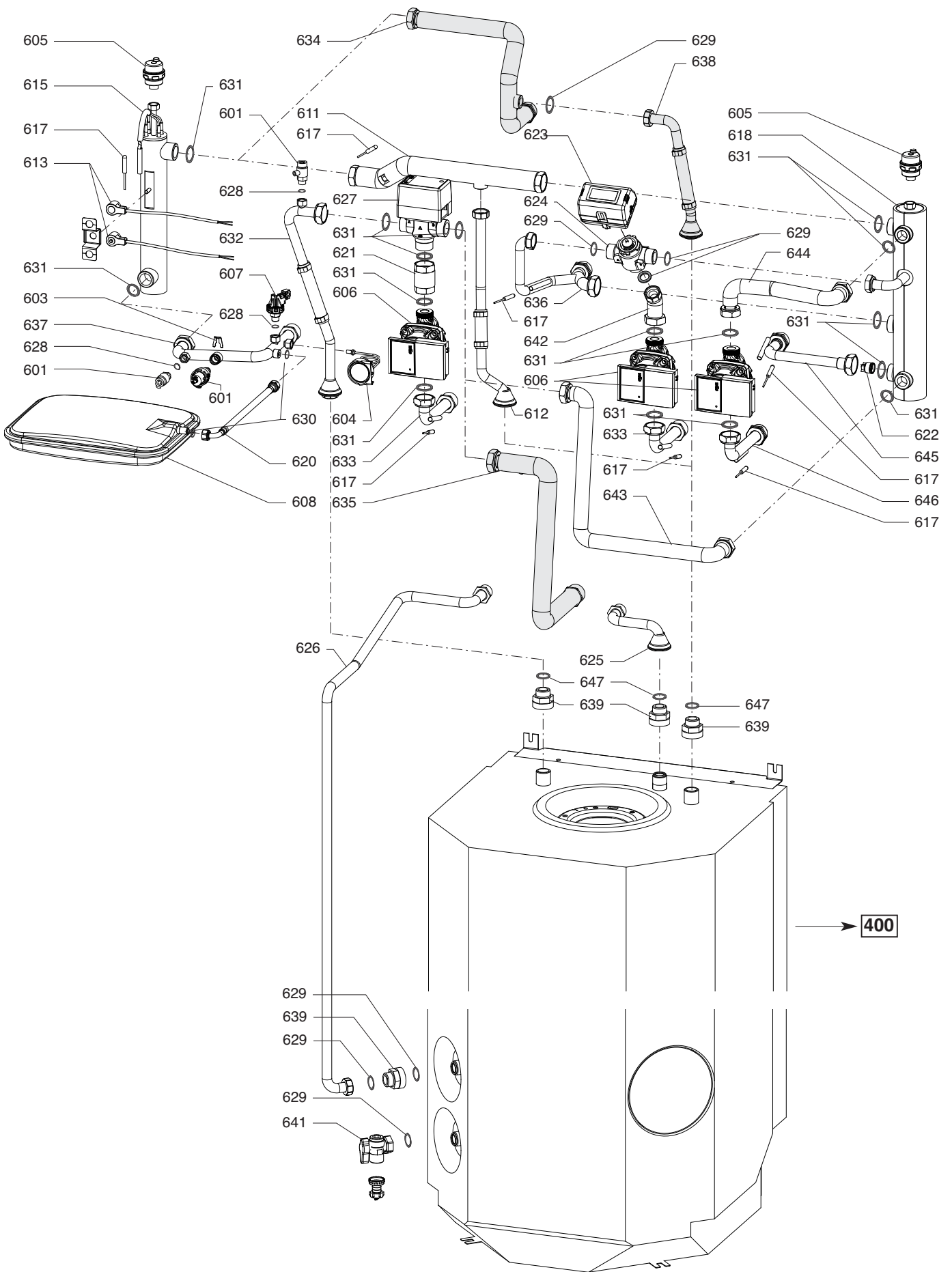


	Description	Manf. Pt. N	Type	ARIANEXT FSP Z, ARIANEXT FSP ZL, ARIANEXT FSP - R 1Z, ARIANEXT FSP - R 2Z																		From	to					
				1	2	3	4	5	6	7	8	9	10	11	12	13	14	15	16	17	18							
0300	WATER SECTION ASSY																											
0301	DRAIN VALVE	573727		•	•																							
0302	PRESSURE RELIEF VALVE (3 BAR)	61312668		•	•																							
0303	CLIP D10	65104260		•	•																							
0304	PRESSURE GAUGE	65107393		•	•																							
0305	AUTO AIR VENT WITH O-RING	65110888		•	•																							
0306	PUMP	65112107		•	•																							
0307	WATER PRESSURE SWITCH	65113494		•	•																							
0308	EXPANSION VESSEL	65113495		•	•																							
0309	OUTLET PIPE Z1	65113910		•																								
0310	TANK INLET PIPE Z1	65113919		•																								
0311	INLET PIPE HYDRAULIC SEPARATOR	65113920			•																							
0312	MULTIFUNCTIONAL ELBOW DN 25	65113916			•																							
0313	THERMOSTAT 80° (SELF-RESET)	65113509		•	•																							
0314	THERMOSTAT 95° (MANUAL RESET)	65113510		•	•																							
0315	HEATING ELEMENT 2+2KW 230V	65113511		•	•																							
0316	HEATING ELEMENT INLET PIPE	65113917		•	•																							
0317	TEMPERATURE PROBE (NTC)	65112082		•	•																							
0318	HYDRAULIC SEPARATOR (2 ZONES)	65113915		•	•																							
0319	OUTLET PIPE (3-W-V)	65113911			•																							
0320	EXPANSION VESSEL PIPE	65113928		•	•																							
0321	DELIVERY PIPE (MIX VALVE)	65113499			•																							
0322	ONE-WAY VALVE	65113508			•																							
0323	MOTOR (3-WAY VALVE)	65103417			•																							
0324	VALVE	65103416			•																							
0325	OUTLET PIPE	65113921		•	•																							
0326	COLD WATER INLET TUBE Z1	65113922			•																							
0327	MIX VALVE	65113929		•	•																							
0328	GASKET 1/4Z	569390		•	•																							
0329	GASKET 3/8 in	573521		•	•																							
0330	GASKET 3/4 in	573520		•	•																							
0331	GASKET 1Z	569387		•	•																							
0332	OUTLET PIPE (TANK)	65113923		•	•																							
0333	HOT WATER PIPE Z1-Z2	65113924		•	•																							
0334	HOT WATER OUTLET PIPE Z1	65113912			•																							
0335	COLD WATER PIPE Z1	65113913		•																								
0336	COLD WATER PIPE Z2	65113914			•																							
0337	HOT WATER PIPE	65113925		•	•																							
0338	COLD WATER PIPE	65113926		•	•																							
0339	DIELECTRIC JOINT 3/4Z	926195		•	•																							
0341	WATER FLOW & RETURN SERVI. TAP	60000885		•	•																							
0400	HOT WATER TANK																											
0401	ISOLATING PAD AIGUILENE D210	60002555		•	•	•	•																					
0402	HEAT SENSOR CYLINDER (L=1820)	65112028		•	•	•	•																					
0403	FLANGE	65113894		•	•	•	•																					
0404	ANODE PROTECH EXT. L:260	60002112		•	•	•	•																					
0405	ANODE D21,3 L:110 M5-M8	65103768-01		•	•	•	•																					
0406	FLANGE GASKET D121,7X105X11,5	60000682		•	•	•	•																					
0407	TANK 180 L PACMAN FSU	65113927		•	•	•	•																					
0408	MATING FLANGE	60002290		•	•	•	•																					
0409	WIRING ANODE (PROTECH)	65114987		•	•	•	•																					



ARIANEXT FSP 1Z
ARIANEXT FSP 2Z
ARIANEXT FSP - R 1Z
ARIANEXT FSP - R 2Z

☉⇒	Description	Manf. Pt. N	Type	ARIANEXT FSP 1Z ARIANEXT FSP 2Z ARIANEXT FSP - R 1Z ARIANEXT FSP - R 2Z																			
				1	2	3	4	5	6	7	8	9	10	11	12	13	14	15	16	17	18	From	to
0500	JIG PLATE & PIPE FITTING																						
0501	GASKET 1/4Z	569390		•	•	•	•																
0502	GASKET 3/8 in	573521		•	•	•	•																
0503	GASKET 3/4 in	573520		•	•	•	•																
0504	GASKET 1Z	569387		•	•	•	•																
0505	COPPER PIPE EFS	65113945		•	•	•	•																
0506	COPPER PIPE (PUMP)	65113946		•	•	•	•																
0507	HYDROMETER D40 G1/4Z	65113947		•	•	•	•																
0508	TAP (3/8Z-1/4Z)	65104047		•	•	•	•																
0509	DISCONNECTOR	60000881		•	•	•	•																
0510	COPPER PIPE (UP)	65113948		•	•	•	•																
0511	COPPER PIPE (L + R)	65113949		•	•	•	•																
0512	COPPER PIPE Z 1 (RIGHT)	65113950		•	•																		
	PIPE HOT WATER RIGHT SIDE	65115048					•	•															
0513	COPPER PIPE Z 1 (RIGHT)	65113951		•	•																		
	PIPE COLD WATER RIGHT S Z1 COOL	65115049					•	•															
0514	COPPER PIPE Z 2 (RIGHT)	65113952			•																		
	PIPE HOT WATER RIGHT SIDE Z2 COOL	65115050							•														
0515	COPPER PIPE Z 2 (RIGHT)	65113953			•																		
	PIPE COLD WATER RIGHT S Z2 COOL	65115051								•													
0516	COPPER PIPE HEAT PUMP (RIGHT)	65113954		•	•																		
	PIPE HOT WTR HP RIGHT SI COOL	65115046							•	•													
0517	COPPER PIPE HEAT PUMP (RIGHT)	65113955		•	•																		
	PIPE COLD WATER HP RIGHT COOL	65115047							•	•													
0518	COPPER PIPE 1&2 Z (RIGHT)	65113956		•	•																		
	COPPER PIPE COLD WATER INLET RIGHT SIDE	65115045							•	•													
0519	COPPER PIPE 1&2 Z (RIGHT)	65113957		•	•																		
	COPPER PIPE HOT WATER OUTLET RIGHT SIDE	65115044							•	•													
0520	COPPER PIPE Z 1 (LEFT)	65113958		•	•																		
	PIPE HOT WATER LEFT SIDE Z1 COOL	65115056							•	•													
0521	COPPER PIPE Z 1 (LEFT)	65113959		•	•																		
	PIPE COLD WATER LEFT S Z1 COOL	65115057							•	•													
0522	COPPER PIPE Z 2 (LEFT)	65113960			•																		
	PIPE HOT WATER LEFT SIDE Z2 COOL	65115058									•												
0523	COPPER PIPE Z 2 (LEFT)	65113961			•																		
	PIPE COLD WATER LEFT SIDE Z2 COOL	65115059									•												
0524	COPPER PIPE HEAT PUMP (LEFT)	65113962		•	•																		
	PIPE HOT WATER HP LEFT S COOL	65115054							•	•													
0525	COPPER PIPE HEAT PUMP (LEFT)	65113963		•	•																		
	PIPE COLD WATER HP LEFT S COOL	65115055							•	•													
0526	COPPER PIPE 1&2 Z (LEFT)	65113964		•	•																		
	COPPER PIPE COLD WATER INLET LEFT SIDE	65115053							•	•													
0527	COPPER PIPE 1&2 Z (LEFT)	65113965		•	•																		
	COPPER PIPE OUTLET HOT WATER LEFT SIDE	65115052							•	•													
0528	COPPER PIPE 1&2 Z (UP)	65113966		•	•																		
	COPPER PIPE TANK UPPER SIDE	65115038							•	•													
0529	COPPER PIPE HEAT PUMP 1&2 Z (UP)	65113967		•	•																		
	PIPE COLD WTR TOP SIDE 1&2Z COOL	65115039							•	•													
0530	COPPER PIPE Z 1 (UP)	65113968		•	•																		
	PIPE COLD WATER TOP SIDE Z1 COOL	65115041							•	•													
0531	COPPER PIPE Z 2 (UP)	65113969			•																		
	PIPE COLD WATER TOP SIDE Z2 COOL	65115043									•												
0532	COPPER PIPE Z 2 (UP)	65113970			•																		
	PIPE HOT WATER TOPE SIDE Z2 COOL	65115042									•												
0533	COPPER PIPE Z 1 (UP)	65113971		•	•																		
	PIPE HOT WATER TOP SIDE Z1 COOL	65115040							•	•													



☉ →	Description	Manf. Pt. N	Type	ARIANEXT FSP 1Z ARIANEXT FSP 2Z ARIANEXT FSP - R1Z ARIANEXT FSP - R2Z																		From	to
				1	2	3	4	5	6	7	8	9	10	11	12	13	14	15	16	17	18		
0600	WATER SECTION ASSY																						
0601	DRAIN VALVE	573727				●	●																
0602	PRESSURE RELIEF VALVE (3 BAR)	61312668				●	●																
0603	CLIP D10	65104260				●	●																
0604	PRESSURE GAUGE	65102220				●	●																
0605	AUTO AIR VENT WITH O-RING	65110888				●	●																
0606	PUMP YONOS PARA 7.0	65114952				●	●																
0607	WATER PRESSURE SWITCH	65113494				●	●																
0608	EXPANSION VESSEL 10L	65114173				●	●																
0611	PIPE HOT WATER SEPAR RESIS. COOL	65114966					●																
0612	PIPE FSP HOT WATER INLET TANK COOLING	65114974					●																
0613	WIRING THERMOSTATS	65114988				●	●																
0615	HEATING ELEMENT 2+2 kW 230 V	65114945				●	●																
0617	HEAT SENSOR CYLINDER (L=1300)	65115008				●	●																
0618	HYDRAULIC SEPARATOR (2 ZONES)	65113915					●																
0620	EXPANSION VESSEL PIPE	65113928				●	●																
0621	DELIVERY PIPE (MIX VALVE)	65113499					●																
0622	ONE-WAY VALVE	65113508					●																
0623	MOTOR (3-WAY VALVE)	65103417					●																
0624	VALVE	65103416					●																
0625	PIPE HOT WATER SAN COOLING	65114982				●	●																
0626	COPPER PIPE COLD WATER SANITARY INLET	65114977				●	●																
0627	MIX VALVE	65113929				●	●																
0628	GASKET 1/4Z	569390				●	●																
0629	GASKET 3/4 in	573520				●	●																
0630	GASKET 3/8 in	573521				●	●																
0631	GASKET 1Z	569387				●	●																
0632	PIPE WATER OUT TANK FSP COOLING	65114980				●	●																
0633	PIPE HOT WATER PIPE Z1 Z2 COOL	65114970				●	●																
0634	PIPE HOT WATER OUTLET 1Z COOLING	65114976				●	●																
0635	PIPE COLD WATER 1Z COOLING	65114975				●	●																
0636	PIPE COLD WATER Z2 PACMAN COOL	65114965					●																
0637	PIPE HOT WATER INLET HP COOLING	65114978				●	●																
0638	PIPE HOT WATER INLET TANK 1Z COOL	65114979				●	●																
0639	DIELECTRIC JOINT 3/4Z	926195				●	●																
0641	WATER FLOW & RETURN SERVI. TAP	60000885				●	●																
0642	PIPE MIX VALVE TO PUMP Z2 MGP PH2	65114964					●																
0643	PIPE 3WV/SEPARATOR FSP COOL	65114967					●																
0644	PIPE HOT WATER PIPE Z1 FSP COOL	65114968					●																
0645	PIPE COLD WATER INLET Z1 FSP COOL	65114969					●																
0646	PIPE SUPPLY ZONE 1 FSP COOL	65114971					●																
0647	SEAL WASHER 3/4" EPDM 3MM	65115193				●	●																

LIST OF THE ABBREVIATIONS

HW	: Hot water.
CW	: Cold water.
C	: Ceramic resistance (normal heating).
Ca	: Ceramic resistance (accelerated heating)
TP	: Immersion heater.
1F	: With fittings.
2F	: Without fittings.
3F	: With fittings and another outlet connection.
AMI	: With mixing valve.
SMI	: Without mixing valve.
PUISS	: Power of th appliance.
PN	: Appliance with normal pression.
LP	: Appliance with low pression.
PV	: Appliance with variable power.
PF	: Appliance with fixed power.

The indications mentioned on the prices, commercial or technical literature and the scheme are written for your guidance and are available at a given time. The CONSTRUCTOR retains the power to modify the presentation, the form, the size, the conception or the material of the products.
