

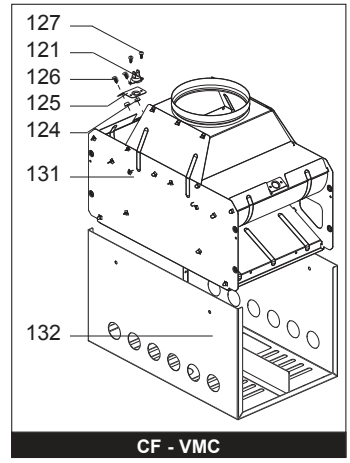
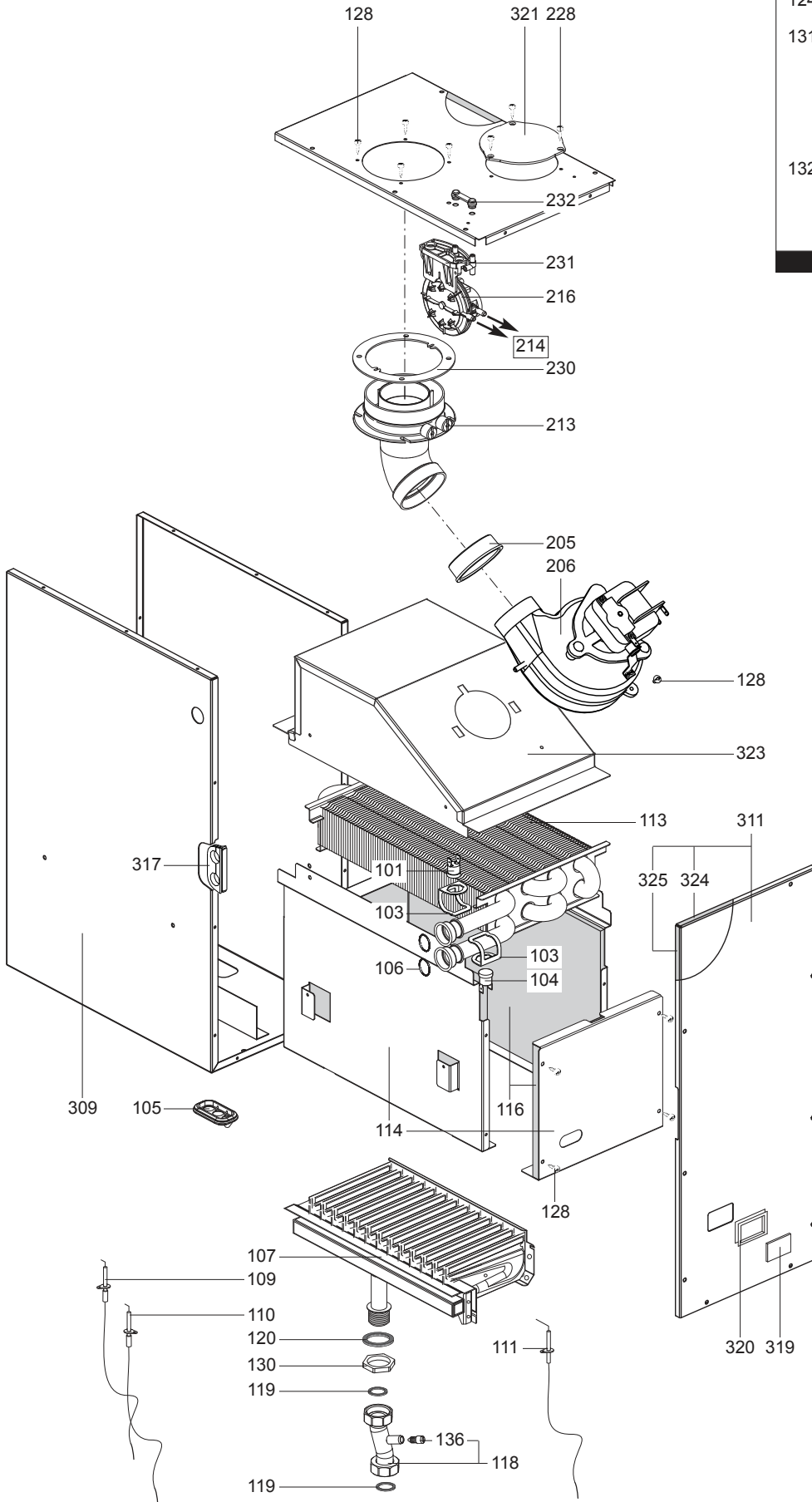
SPARE PARTS EXPLODED VIEW GAS WALL BOILERS

Model

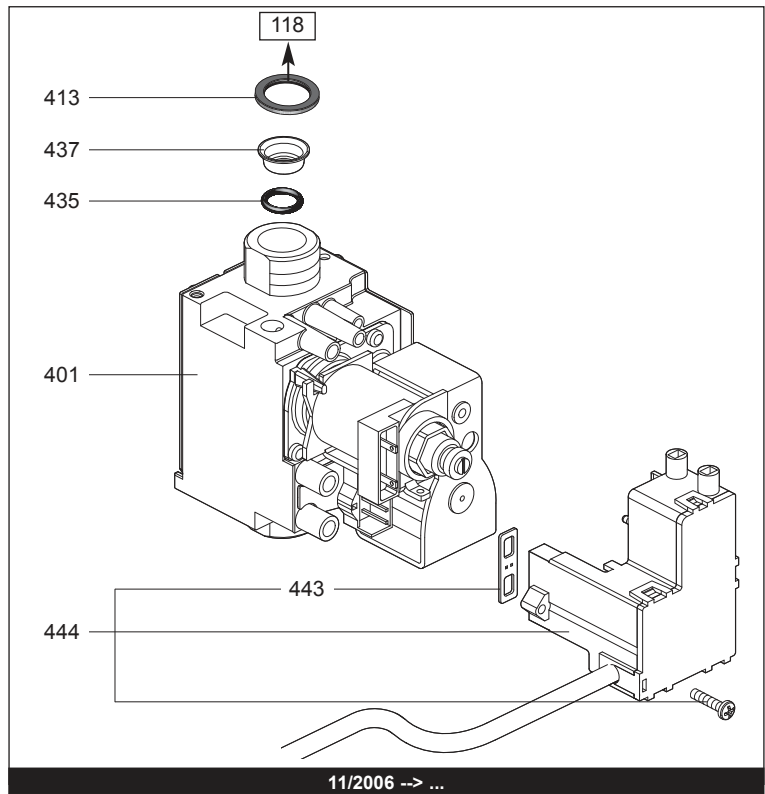
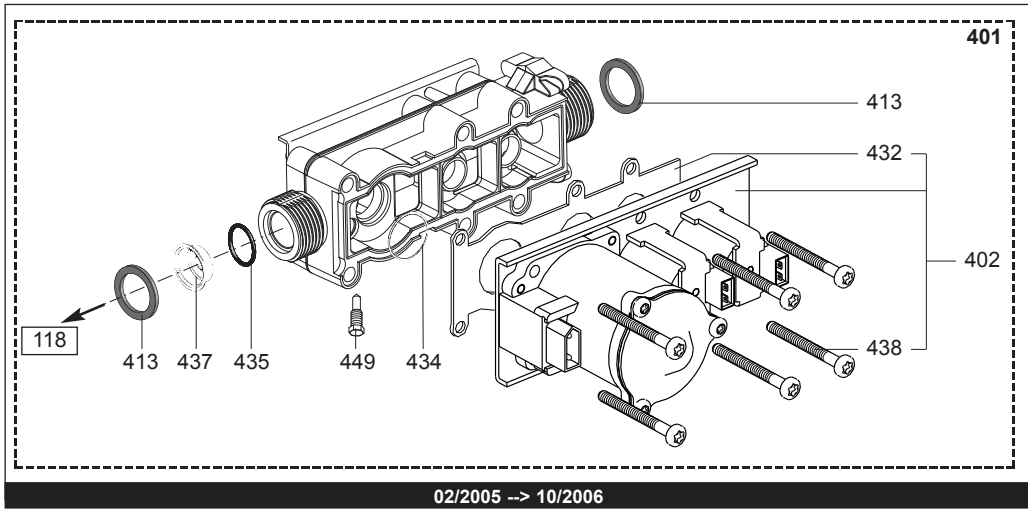
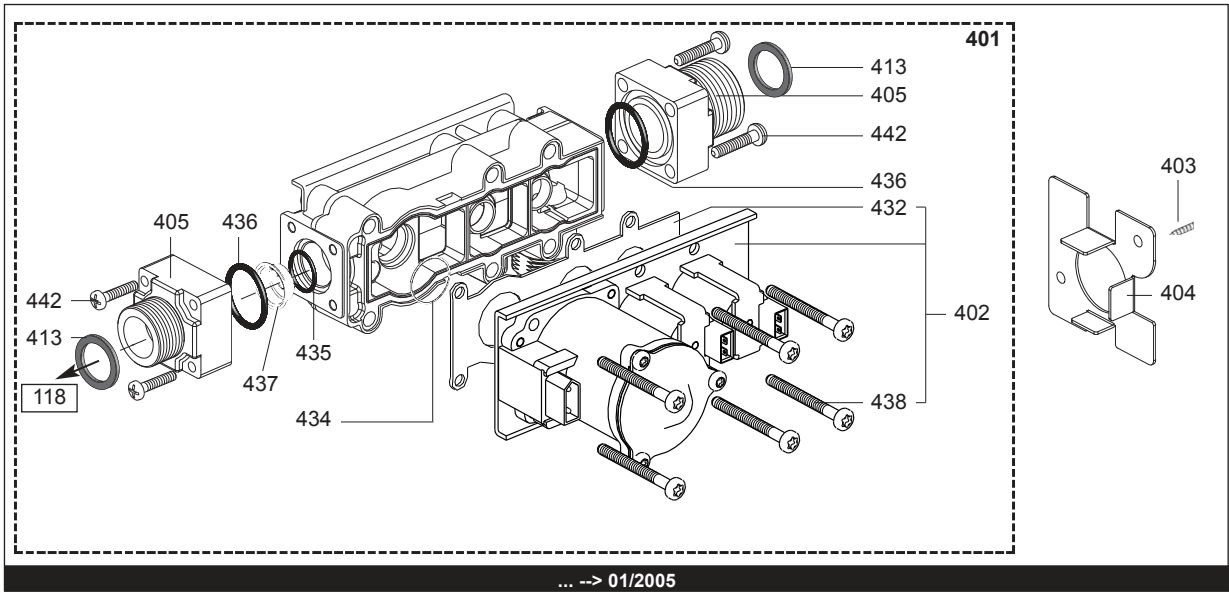
AMPHORA DELTA

R8202802-13 - 27/08/2012

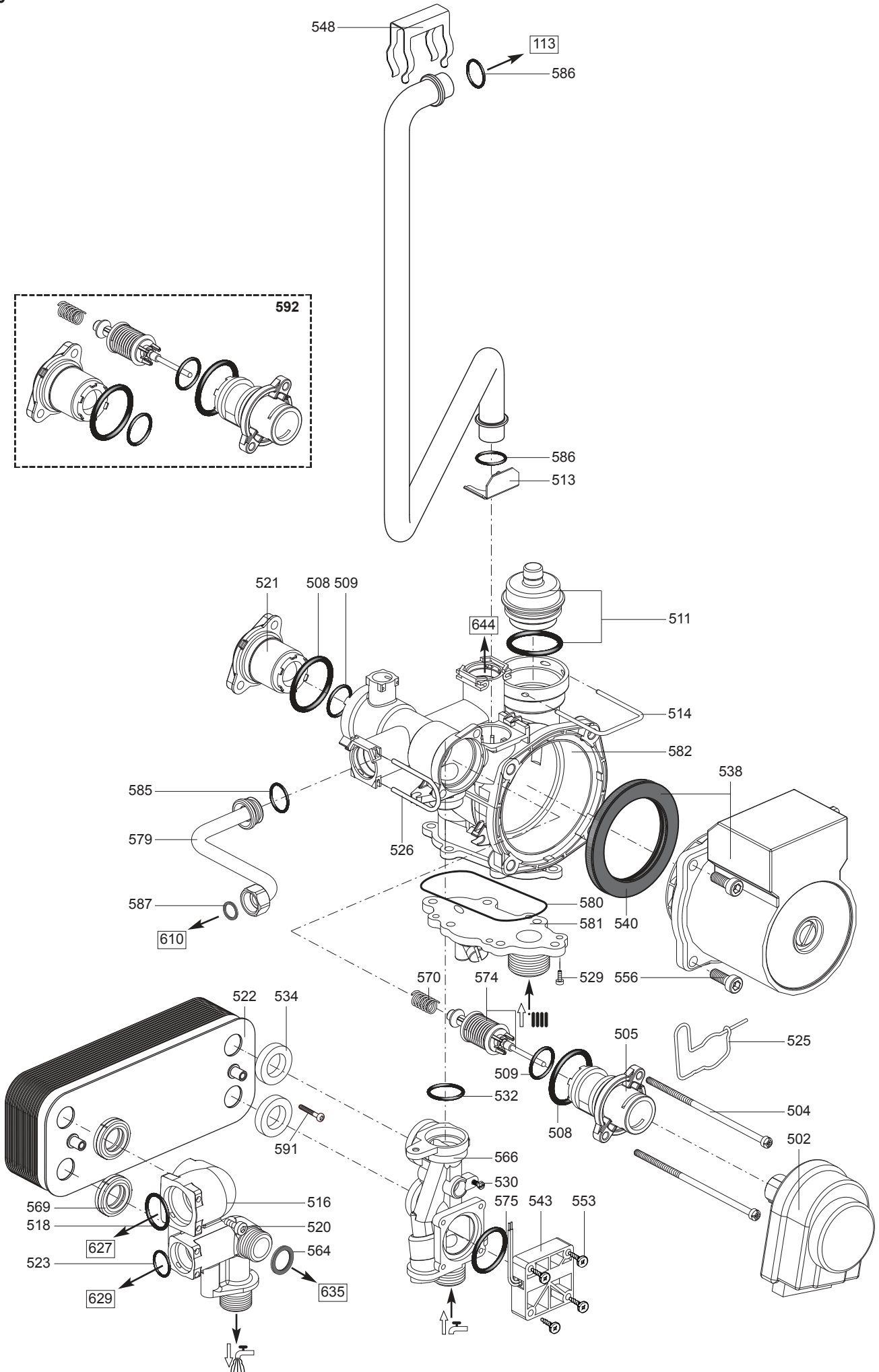
1	365 0000	AMPHORA DELTA 24 CF NAT FR	09/04	09/07
1	365 0004	AMPHORA DELTA 24 CF B/P FR	09/04	09/07
2	365 0001	AMPHORA DELTA 24 VMC NAT FR	10/04	09/07
3	365 0002	AMPHORA DELTA 24 FF NAT FR	09/04	09/07
3	365 0005	AMPHORA DELTA 24 FF B/P FR	09/04	09/07
4	365 0003	AMPHORA DELTA 28 FF NAT FR	09/04	09/07
4	365 0006	AMPHORA DELTA 28 FF B/P FR	09/04	09/07
Col	Reference	Model type	Begin	End



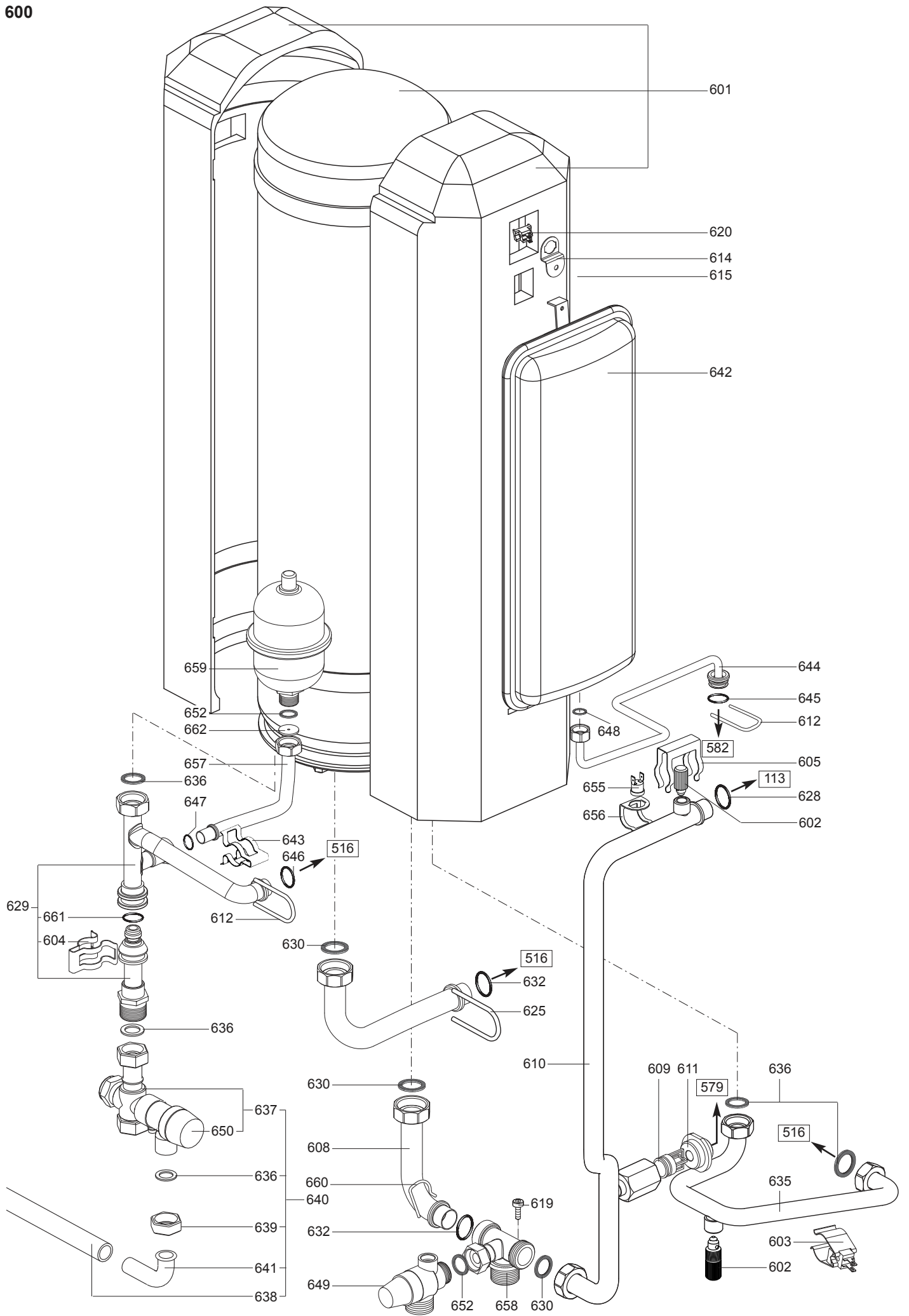
☉	Description	Manf. Pt. N	Type	<div style="border: 1px solid black; padding: 2px; display: inline-block; transform: rotate(-15deg); font-size: 8px;"> AMPHORA DELTA 24 CF AMPHORA DELTA 24 VMC AMPHORA DELTA 24 FF AMPHORA DELTA 28 FF </div>																		31
				1	2	3	4	5	6	7	8	9	10	11	12	13	14	15	16	17	18	
0100	BURNER ASSEMBLY																					
0101	OVERHEAT THERMOSTAT 100C	61010572		•	•	•	•															
0103	CLIP	61010050		•	•	•	•															
0104	THERMISTOR	61314258		•	•	•	•															
0105	IGNITION ELECTRODE CABLE RUBBER	998147					•	•														
0106	O-RING	998424		•	•	•	•															
0107	BURNER	61315552	B/P				•	•														
	BURNER (GL)	65101314	B/P	•	•																	
	BURNER	61315551	NAT				•	•														
	BURNER 13 RAMP	65100474	NAT	•	•																	
0109	IGNITION ELECTRODE RIGHT	60000105		•	•	•	•															
0110	IGNITION ELECTRODE LEFT	60000104		•	•	•	•															
0111	IONIZATION ELECTRODE	61316659		•	•	•	•															
0113	MAIN EXCHANGER	61310450		•	•	•	•															
0114	COMBUSTION CHAMBER	61315542					•	•														
	COMBUSTION CHAMBER	61315802		•	•																	
0116	COMBUSTION CHAMBER LINING KIT	61400392		•	•	•	•															
0118	GAS TUBE	60000021		•	•	•	•													02/05	10/06	
	GAS TUBE	61313314		•	•	•	•														01/05	
	GAS TUBE	60000502		•	•	•	•													11/06		
0119	SHEET GASKET D: 24-18.2-1.5	60022835-01		•	•	•	•															
0120	GASKET 37X26X2	569413		•	•	•	•															
0121	THERMOSTAT (SAFETY - 70C)	61012479		•																		
	OVERHEAT THERMOSTAT 60C	61315857					•															
0124	SPACER	61308439		•	•																	
0125	SUPPORT BRACKET	61308440		•	•																	
0126	TAPPING SCREW D: 3.5-9.5	61015329		•	•																	
0127	SHEET SCREW CBLX D: 3.5-6.5	61010126		•	•																	
0128	TAPPING SCREW CBLX D: 4.2-9.5	61010125		•	•	•	•															
0130	LOCK NUT (BRASS) 3/4	569446		•	•	•	•															
0131	DRAUGHT DIVERTER	61309993		•	•																	
0132	GRILLE	61314406		•	•																	
0136	PRESSURE TEST POINT SCREW	60019445		•	•	•	•													02/05		
0200	FAN ASSEMBLY																					
0205	GASKET	61303825					•	•														
0206	FAN ASSY	61020925					•	•														
0213	FLUE INTAKE PLUG	573326					•	•														
0214	SILICONE TUBE D: 9x3 L: 1.30M	60081265					•	•														
0216	AIR PRESSURE SWITCH 24-28KW	61307664					•	•														
0228	TAPPING SCREW D: 4.8-9.5	61007613					•	•														
0230	GASKET (FLUE MANIFOLD)	573337					•	•														
0231	SUPPORT PLATE	990373					•	•														
0232	AIR INTAKE COVER	573329					•	•														
0300	SEALED CASE																					
0309	CASE BOTTOM PANEL	61314398					•	•														
0311	PANEL (FRONT)	65100493					•	•														
0317	GROMMET	61303148					•	•														
0319	SIGHT GLASS - GASKET	65105371					•	•														
0320	SIGHT GLASS - GASKET	998076					•	•														
0321	AIR RETURN COVER	991821					•	•														
0323	HOOD 28 KW	61315520					•	•														
0324	FOAM SEAL 12x4 L:223	61315258					•	•														
0325	FOAM SEAL 12x4 L:547	61315259					•	•														



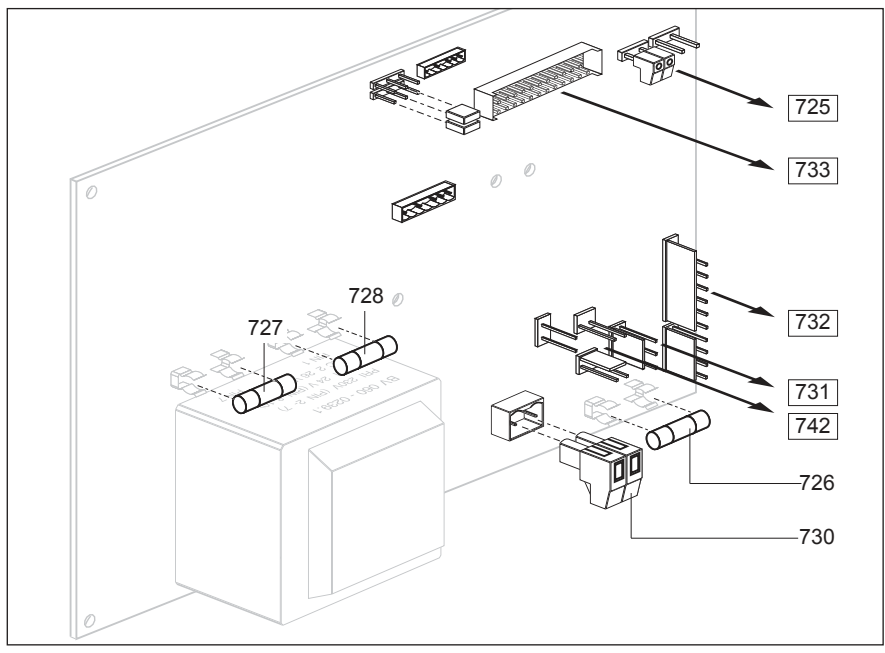
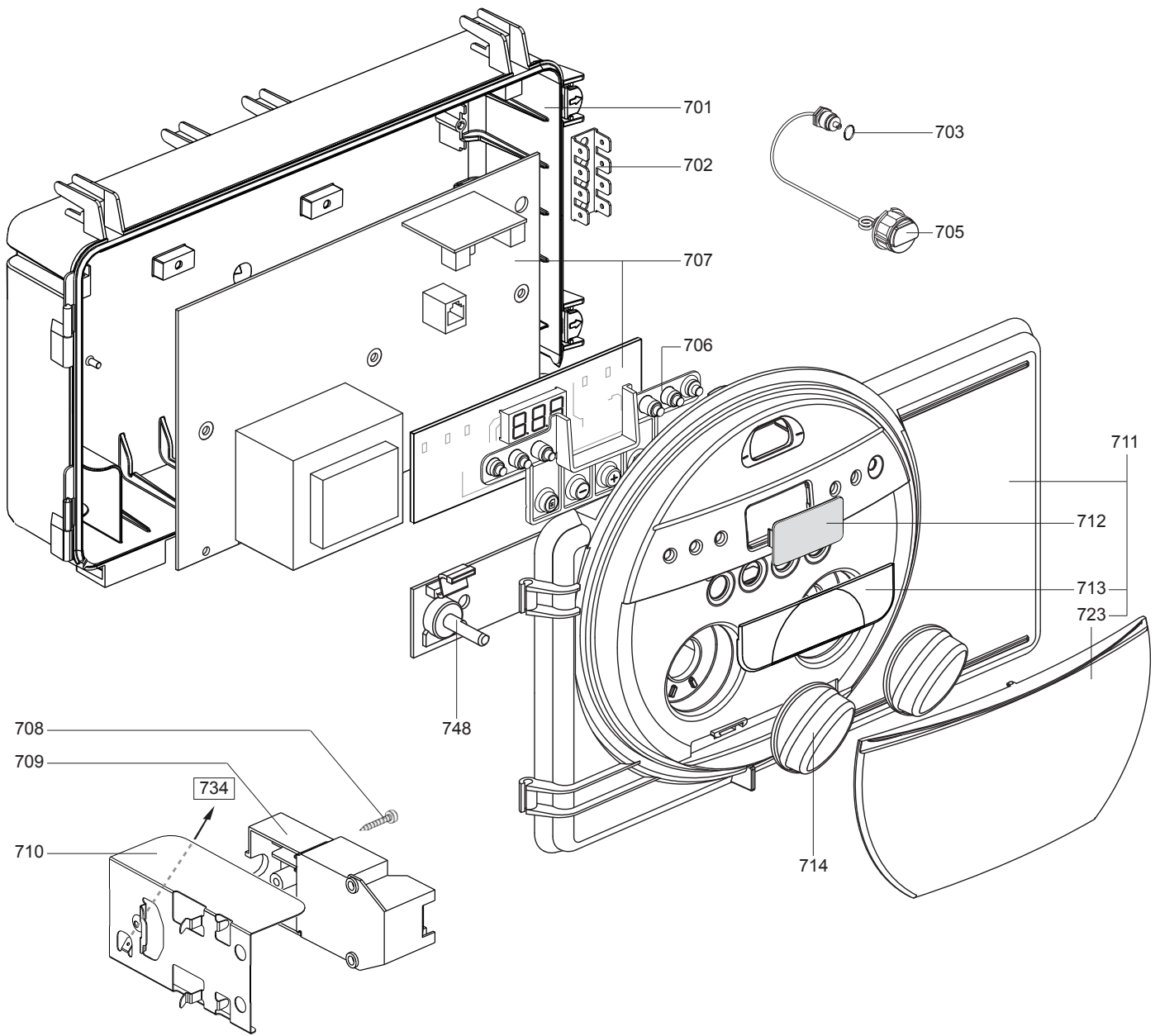
☉⇒	Description	Manf. Pt. N	Type	<div style="display: flex; justify-content: space-between; align-items: center;"> <div style="transform: rotate(-45deg); font-size: small;"> AMPHORA DELTA 24 CF AMPHORA DELTA 24 VMC AMPHORA DELTA 24 FF AMPHORA DELTA 28 FF </div> <div style="border: 1px solid black; padding: 2px;">31</div> </div>																	
				1	2	3	4	5	6	7	8	9	10	11	12	13	14	15	16	17	18
0400	GAS SECTION																				
0401	GAS VALVE	61314591		•	•	•	•												11/06		
	GAS VALVE LPG	60000015	B/P	•	•	•	•												10/06		
	GAS VALVE NAT	60000016	NAT	•	•	•	•												10/06		
0402	SOLENOID VALVES KIT LPG	60081860	B/P	•	•	•	•														
	SOLENOID VALVES KIT NAT	60081859	NAT	•	•	•	•														
0403	TAPPING SCREW CBLX D: 4.2-9.5	61010125		•	•	•	•												01/05		
0404	SUPPORT BRACKET	61316399		•	•	•	•												01/05		
0405	CONNECTION	61317012		•	•	•	•												01/05		
0413	SHEET GASKET D: 24-18.2-1.5	60022835-01		•	•	•	•														
0432	GASKET (/Solenoid valve)	61013018		•	•	•	•														
0434	O-RING D: 14.1-1.6	60021061-41		•	•	•	•														
0435	O-RING D: 14.1-1.6	60021061-41		•	•	•	•											02/05			
	O-RING D: 17.1-1.6	60021061-42		•	•	•	•												01/05		
0436	O-RING D: 22-2.6	60021061-40		•	•	•	•												01/05		
0437	RESTRICTOR D: 5.5	61306720	NAT				•												01/05		
	RESTRICTOR D: 4.2	60000017	B/P				•											02/05	10/06		
	RESTRICTOR D: 5.5	60000020	B/P				•												11/06		
	RESTRICTOR D: 3.6	60000495	B/P					•											11/06		
	RESTRICTOR D: 5	60000496	B/P						•										11/06		
	RESTRICTOR D: 4.2	61302440	B/P					•											01/05		
	RESTRICTOR D: 6.3	60000018	NAT		•	•													02/05 10/06		
	RESTRICTOR D: 8.0	60000019	NAT						•										02/05 10/06		
	RESTRICTOR D: 5.5	60000020	NAT						•										02/05 10/06		
	RESTRICTOR D: 5	60000496	NAT						•										11/06		
	RESTRICTOR D: 5.2	60000497	NAT		•	•													11/06		
	RESTRICTOR D: 5.7	60000498	NAT						•										11/06		
	RESTRICTOR D: 6.3	61013016-05	NAT		•	•													01/05		
	RESTRICTOR D: 8.0	61013016-08	NAT						•										01/05		
0438	SCREW CLXS M 5-45	61014414		•	•	•	•														
0442	SCREW CBLXS M 4-20	61014415		•	•	•	•												01/05		
0443	GASKET (SPARK GENERATOR)	574279		•	•	•	•														
0444	IGNITER	61311269		•	•	•	•												11/06		
0449	PRESSURE TEST POINT SCREW	61016378		•	•	•	•												02/05		



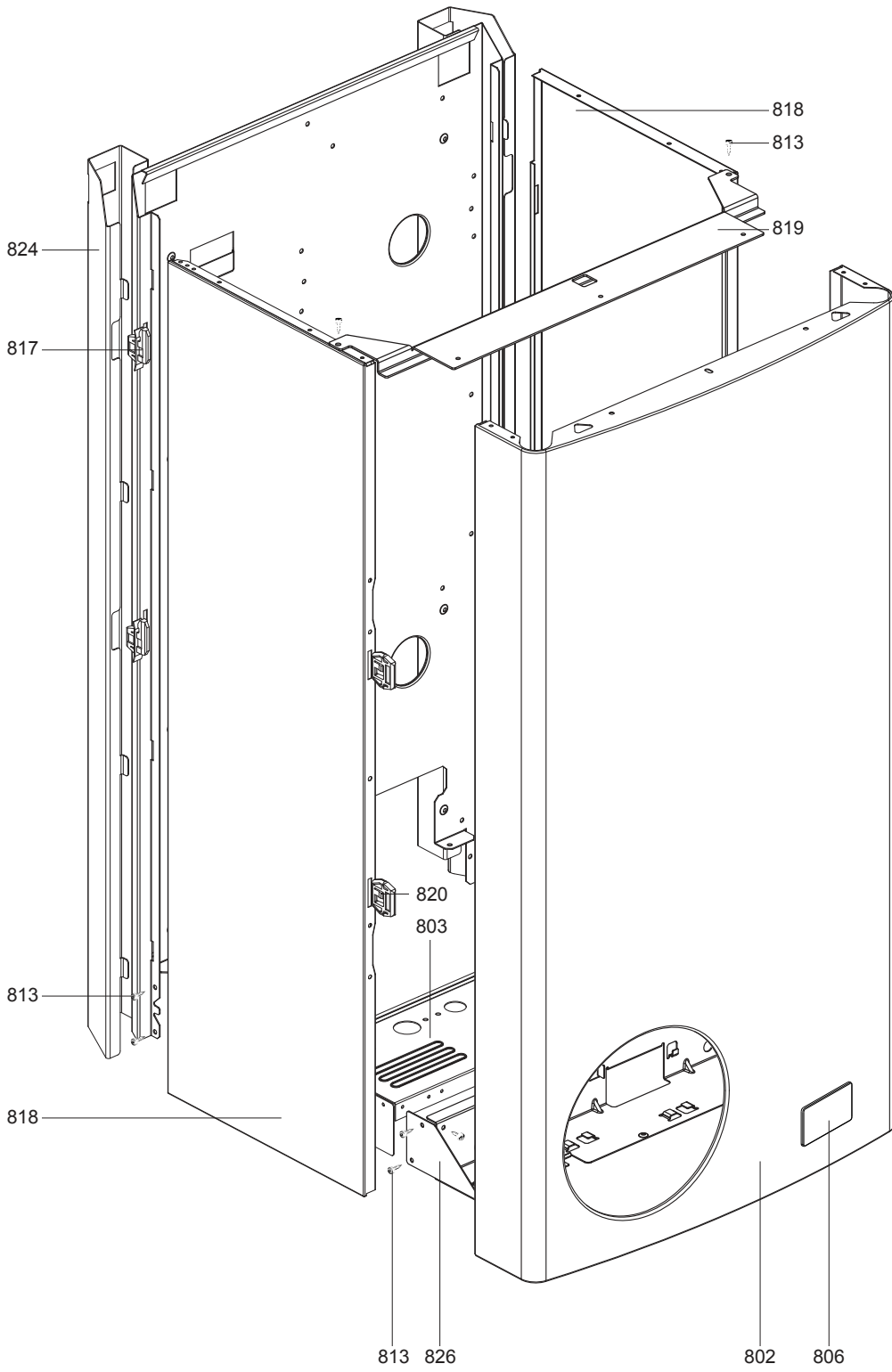
☉→	Description	Manf. Pt. N	Type	<div style="display: flex; justify-content: space-between; align-items: center;"> <div style="writing-mode: vertical-rl; transform: rotate(180deg); font-size: 8px;"> AMPHORA DELTA 24 CF AMPHORA DELTA 24 VMC AMPHORA DELTA 24 FF AMPHORA DELTA 28 FF </div> <div style="border: 1px solid black; padding: 2px;">31</div> </div>																	
				1	2	3	4	5	6	7	8	9	10	11	12	13	14	15	16	17	18
0500	HYDRAULIC BLOCK																				
0502	MOTOR (3-WAY VALVE)	997147		•	•	•	•														
0504	SCREW (M4X102)	990438		•	•	•	•														
0505	MOTOR SUPPORT	65100770		•	•	•	•														
0508	O-RING	990488		•	•	•	•														
0509	O-RING	990489		•	•	•	•														
0511	AUTO AIR VENT WITH O-RING	995865		•	•	•	•														
0513	FIXING BRACKET (RETURN PIPE)	65100038		•	•	•	•														
0514	U-CLIP	65100421		•	•	•	•														
0516	WATER/WATER HEAT BLOCK ASSY	61313050		•	•	•	•														
0518	O-RING D: 17-4	60024164-51		•	•	•	•														
0520	SCREW CX M 5-12	61011224		•	•	•	•														
0521	PLUG (DIVERTER VALVE)	990390		•	•	•	•														
0522	WATER / WATER HEAT EXCHANGER 16	61314111		•	•	•	•														
0523	O-RING D: 13.6-2.7	60021061-18		•	•	•	•														
0525	PIN	61313804		•	•	•	•														
0526	U-CLIP	990385		•	•	•	•														
0529	SCREW HX M 5-12	61010131		•	•	•	•														
0530	SCREW HSX M 4-8	61016449		•	•	•	•														
0532	O-RING	990387		•	•	•	•														
0534	GASKET	65100513		•	•	•	•														
0538	PUMP MOTOR	61315654		•	•	•	•														
0540	GASKET (PUMP HEAD)	998738		•	•	•	•														
0543	D.H.W. FLOW SWITCH	995948		•	•	•	•														
0548	CLIP	61010609		•	•	•	•														
0553	SCREW (M4X16)	65101433		•	•	•	•														
0556	SCREW (M6X15)	65101434		•	•	•	•														
0564	WASHER D: 18.4-12.2-1.5	60061855-14		•	•	•	•														
0566	MANIFOLD (C.W. INLET)	65101009		•	•	•	•														
0569	EXCHANGER GASKET	65104334		•	•	•	•														
0570	SPRING (DIVERTER VALVE)	65101008		•	•	•	•														
0574	ASSEMBLED SHUTTER	65105144		•	•	•	•														
0575	O-RING	990392		•	•	•	•														
0579	BYPASS TUBE	61313869		•	•	•	•														
0580	O-RING	990393		•	•	•	•														
0581	FLANGE (C.H. RETURN)	995932		•	•	•	•														
0582	MANIFOLD (C.H. RETURN)	65104681		•	•	•	•														
0585	O-RING	995976		•	•	•	•														
0586	O-RING	998424		•	•	•	•														
0587	GASKET 3/8	573521		•	•	•	•														
0591	SCREW CBLS M 5-22	61314408		•	•	•	•														
0592	SERVICE KIT (DIVERTER VALVE)	65101288		•	•	•	•														



☉→	Description	Manf. Pt. N	Type	AMPHORA DELTA 24 CF AMPHORA DELTA 24 VMC AMPHORA DELTA 24 FF AMPHORA DELTA 28 FF																	
				1	2	3	4	5	6	7	8	9	10	11	12	13	14	15	16	17	18
0600	HOT WATER TANK																				
0601	HOT WATER TANK 20L	61313378		•	•	•	•														
	GASKET	61317345		•	•	•	•														
0602	DRAIN SCREW ASSY	60081028		•	•	•	•														
0603	PROBE NTC	65101435		•	•	•	•														
0604	CLIP	61012983		•	•	•	•														
0605	CLIP	61010609		•	•	•	•														
0608	SHORT CIRCUIT TUBE	61313098		•	•	•	•														
0609	BY-PASS	999473		•	•	•	•														
0610	HEATING FLOW BEND	61313806		•	•	•	•														
0611	PLUG	61313809		•	•	•	•														
0612	U-CLIP	990385		•	•	•	•														
0614	SUPPORT	61303369		•	•	•	•														
0615	SCREW HSX M 5-8	61302631		•	•	•	•														
0619	SCREW HSX M 4-8	61016449		•	•	•	•														
0620	THERMISTOR	61314258		•	•	•	•														
0625	U-CLIP	997153		•	•	•	•														
0628	O-RING	998424		•	•	•	•														
0629	COLD WATER TUBE	61401039		•	•	•	•														
0630	GASKET 3/4	573520		•	•	•	•														
0632	O-RING D: 17-4	60024164-51		•	•	•	•														
0635	HOT WATER BEND	61313084		•	•	•	•														
0636	WASHER D: 18.4-12.2-1.5	60061855-14		•	•	•	•														
0637	PRESSURE RELIEF VALVE 7 BARS	61304749		•	•	•	•														
0638	TUBE PVC D: 13x17 L: 1M	60081266-02		•	•	•	•														
0639	NUT 1/2» THICK: 12	60020747-28		•	•	•	•														
0640	PRESSURE RELIEF VALVE KIT	61317360		•	•	•	•														
0641	CONNECTING PIPE	61010430		•	•	•	•														
0642	EXPANSION VESSEL 7L	65100471		•	•	•	•														
0643	CLIP	61001674		•	•	•	•														
0644	PIPE (EXPANSION VESSEL)	61314399		•	•	•	•														
0645	O-RING	995976		•	•	•	•														
0646	O-RING D: 13.6-2.7	60021061-18		•	•	•	•														
0647	O-RING D: 12.3-2.4	60024164-47		•	•	•	•														
0648	GASKET 3/8	573521		•	•	•	•														
0649	SAFETY VALVE	998447		•	•	•	•														
0650	VALVE 7 BARS	60000437		•	•	•	•														
0652	GASKET 1/2	573528		•	•	•	•														
0655	OVERHEAT THERMOSTAT 100C	61010572		•	•	•	•														
0656	CLIP	61010050		•	•	•	•														
0657	EXPANSION VESSEL TUBE	61313938		•	•	•	•														
0658	FLOW GROUP	65100469		•	•	•	•														
0659	EXPANSION VESSEL 0.5L	65101005		•	•	•	•														
0660	SPRING	65100449		•	•	•	•														
0661	O-RING D: 8.9-2.7	61009834-14		•	•	•	•														
0662	WATER RESTRICTOR D: 18.4	60000228		•	•	•	•														



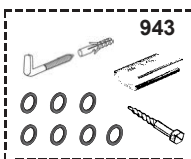
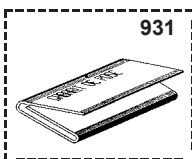
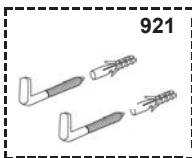
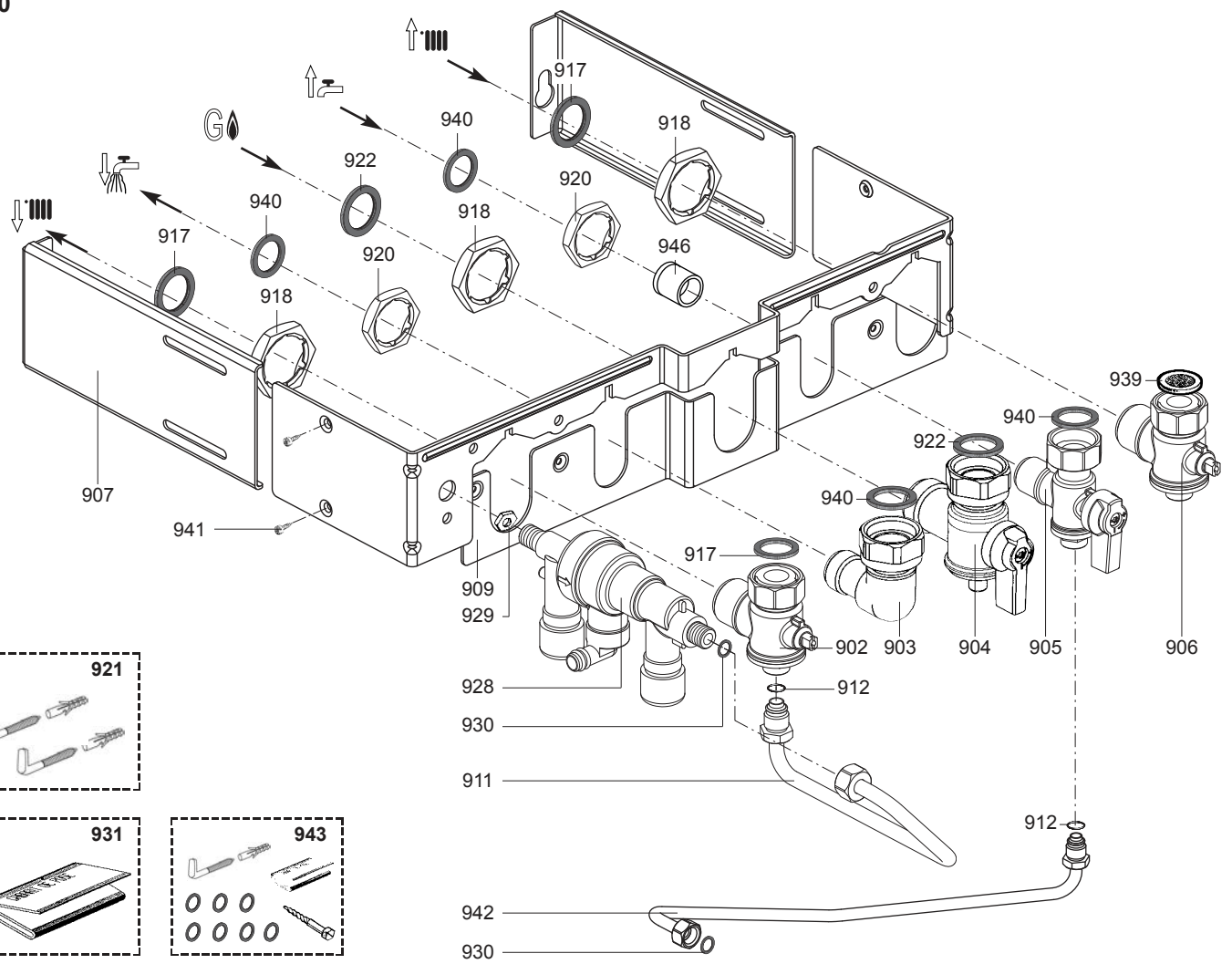
☉⇒	Description	Manf. Pt. N	Type	<div style="display: flex; justify-content: space-between; align-items: center;"> <div style="transform: rotate(-45deg); font-size: small;"> AMPHORA DELTA 24 CF AMPHORA DELTA 24 VMC AMPHORA DELTA 24 FF AMPHORA DELTA 28 FF </div> <div style="border: 1px solid black; padding: 2px;">31</div> </div>																	
				1	2	3	4	5	6	7	8	9	10	11	12	13	14	15	16	17	18
0700	ELECTRICAL BOX																				
0701	BASE - BOX	61303242		●	●	●	●														
0702	CONNECTION STRIP	61002725		●	●	●	●														
0703	GASKET 1/4	569390		●	●	●	●														
0705	PRESSURE GAUGE	61314357		●	●	●	●														
0706	TRANSMITTER OF LEDS	61303464		●	●	●	●														
0707	PRINTED CIRCUIT BOARDS	60000390		●	●	●	●												10/06		
	PRINTED CIRCUIT BOARDS	60000484		●	●	●	●												11/06		
0708	TAPPING SCREW D: 3.5-9.5	61015329		●	●	●	●														
0709	IGNITER	61002105-20		●	●	●	●												10/06		
0710	SUPPORT BRACKET	61304977		●	●	●	●														
0711	ELECTRICAL BOX COVER	61309689		●	●	●	●												03/04		
0712	SIGHT GLASS	61303830		●	●	●	●														
0713	LOWER PANEL - DOOR	61314686		●	●	●	●														
0714	WHITE KNOB	61313799		●	●	●	●														
0723	DOOR ASSY	61317011		●	●	●	●														
0725	THERMOSTAT CABLE	61312402		●	●	●	●														
0726	FUSE 250V 2A - TEMPORIZED	61003456		●	●	●	●														
0727	FUSE 250V 1.25A - TEMPORIZED	61003635		●	●	●	●														
0728	FUSE 250V 0.315A - TEMPORIZED	61307845		●	●	●	●														
0730	CABLAGGIO D ALIMENTAZIONE	61311903		●	●	●	●														
0731	CABLE	61305217		●	●														10/06		
	CABLE	61311871		●	●														11/06		
0732	CABLE	60000563					●	●											11/06		
	CABLE	61310977					●	●											10/06		
0733	WIRE ASSEMBLY	60000524		●															11/06		
	WIRE ASSEMBLY	61314366					●	●											10/06		
	WIRE ASSEMBLY	61314368		●															10/06		
	WIRE ASSEMBLY	61315548					●												10/06		
	WIRE ASSEMBLY	60000561						●	●										11/06		
	WIRE ASSEMBLY	60000560					●												11/06		
0734	EARTH WIRE	61305498		●	●	●	●														
0742	CABLE (PUMP)	65100481		●	●	●	●														
0748	PRINTED CIRCUIT BOARD	61313103		●	●	●	●														



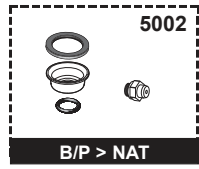
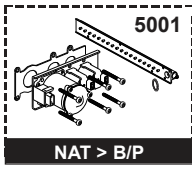
900

AMPHORA DELTA

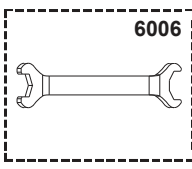
Domestic Gas Boilers



5000



6000



☉⇒	Description	Manf. Pt. N	Type	<div style="display: flex; justify-content: space-between;"> <div style="writing-mode: vertical-rl; transform: rotate(180deg); font-size: small;"> AMPHORA DELTA 24 CF AMPHORA DELTA 24 VMC AMPHORA DELTA 24 FF AMPHORA DELTA 28 FF </div> <div style="border: 1px solid black; padding: 2px;">31</div> </div>																	
				1	2	3	4	5	6	7	8	9	10	11	12	13	14	15	16	17	18
0900	JIG PLATE & PIPE FITTING																				
0902	WATER RETURN SERVICE TAP	61313031		•	•	•	•														
0903	CONNECTION	61316027		•	•	•	•														
0904	GAS SERVICE TAP	61313104		•	•	•	•														
0905	COLD WATER TAP	61316028		•	•	•	•														
0906	WATER FLOW & RETURN SERVI. TAP	61311247		•	•	•	•														
0907	LEFT SUPPORT	61313946		•	•	•	•														
0909	BOTTOM STAY PLATE	61315384		•	•	•	•														
0911	DISCONNECTOR TUBE	60000264		•	•	•	•											02/06			
	DISCONNECTOR TUBE	61315389		•	•	•	•												01/06		
0912	O-RING D: 6-1	61009834-41		•	•	•	•														
0917	SHEET GASKET D: 24-17-1.5	60061855-19		•	•	•	•														
0918	LOCK NUT	60031140		•	•	•	•														
0920	CONTRODADO H 1/2	60031139		•	•	•	•														
0921	FIXING KIT	61303711		•	•	•	•														
0922	SHEET GASKET D: 24-18.2-1.5	60022835-01		•	•	•	•														
0928	DISCONNECTOR	60000263		•	•	•	•											02/06			
	DISCONNECTOR KIT	60081664		•	•	•	•												01/06		
0929	NUT H M 10-1	60031825-08		•	•	•	•														
0930	SHEET GASKET D: 8.5-4.1-1.5	60061852-12		•	•	•	•														
0931	JIG PLATE	61314173		•	•	•	•														
	JIG PLATE (REPLACEMENT)	61316345		•	•	•	•														
0939	WATER FILTER	60039803		•	•	•	•														
0940	WASHER D: 18.4-12.2-1.5	60061855-14		•	•	•	•														
0941	TAPPING SCREW CBLX D: 4.2-9.5	61010125		•	•	•	•														
0942	FILLER NECK	61315386		•	•	•	•														
0943	ACCESSORY KIT	61316104		•	•	•	•														
0946	FLOW REGULATOR 8L A/R	60000192		•	•	•	•														
	FLOW REGULATOR 12L A/R	61303380		•	•	•	•														
	FLOW REGULATOR 10L A/R	61317638		•	•	•	•														
5000	ACCESSORIES																				
5001	CONVERSION KIT NAT > LPG	60000605		•	•													11/06			
	CONVERSION KIT NAT > LPG	60000607				•	•											11/06			
	CONVERSION KIT NAT > LPG	61317256		•	•														10/06		
	CONVERSION KIT NAT > LPG	61317257				•													10/06		
	CONVERSION KIT NAT > LPG	61317258					•												10/06		
5002	CONVERSION KIT LPG > NAT	60000606		•	•													11/06			
	CONVERSION KIT LPG > NAT	60000608					•	•										11/06			
6000	MAINTENANCE																				
6006	KEY	61317335		•	•	•	•														

LIST OF THE ABBREVIATIONS

HW	: Hot water.
CW	: Cold water.
C	: Ceramic resistance (normal heating).
Ca	: Ceramic resistance (accelerated heating)
TP	: Immersion heater.
1F	: With fittings.
2F	: Without fittings.
3F	: With fittings and another outlet connection.
AMI	: With mixing valve.
SMI	: Without mixing valve.
PUISS	: Power of th appliance.
PN	: Appliance with normal pression.
LP	: Appliance with low pression.
PV	: Appliance with variable power.
PF	: Appliance with fixed power.

IDENTIFICATION PLATE

SERIAL NUMBER

10 Characters :	04 05 125 011	Sequential number Manufacturing day Year of manufacture
11 Characters :	1 95 065004 - 31	Technical number of the appliance Sequential number Year of manufacture
Month of manufacture : from 1 to 9 → Jan. to Sep., O → Oct., N → Nov., D → Dec.		
19 Characters :	08 05 0013199 900640031	Product reference Sequential number
Year of manufacture Month of manufacture		
20 Characters :	3675007 XX 2 07 070 00315	Sequential number Manufacturing day Year of manufacture
Product reference Millenium of manufacture		
21 Characters :	3675007 XX 07 070 0000315	Sequential number Manufacturing day
Product reference Year of manufacture		

The indications mentioned on the prices, commercial or technical literature and the scheme are written for your guidance and are available at a given time. The CONSTRUCTOR retains the power to modify the presentation, the form, the size, the conception or the material of the products.