

SPARE PARTS EXPLODED VIEW GAS WALL BOILERS

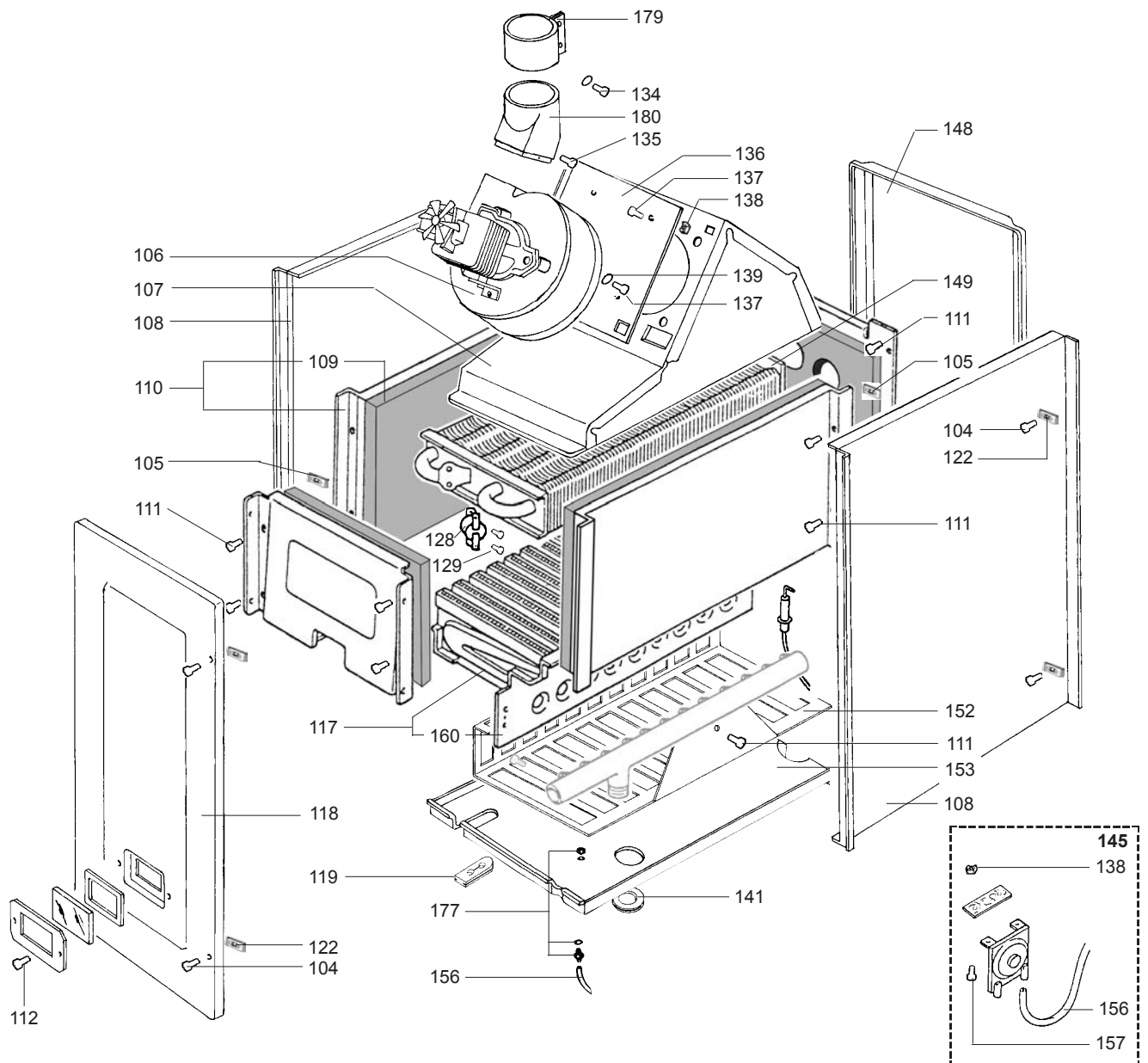
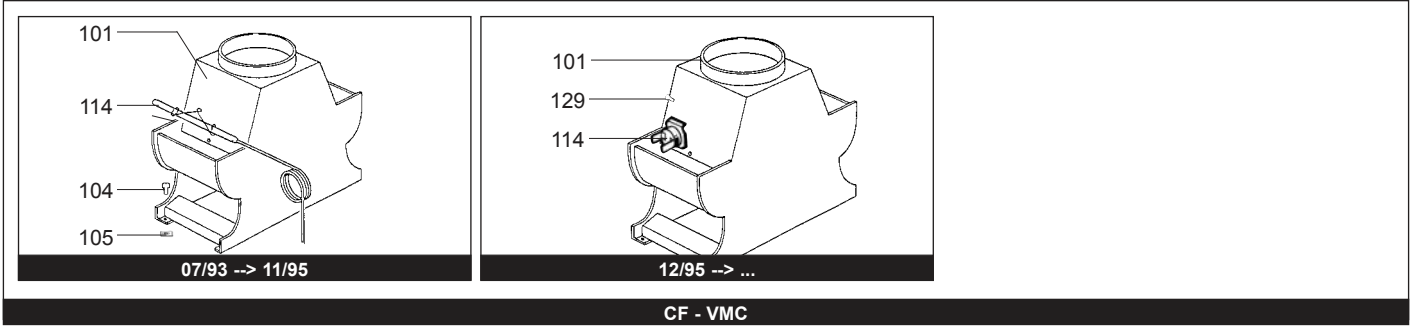
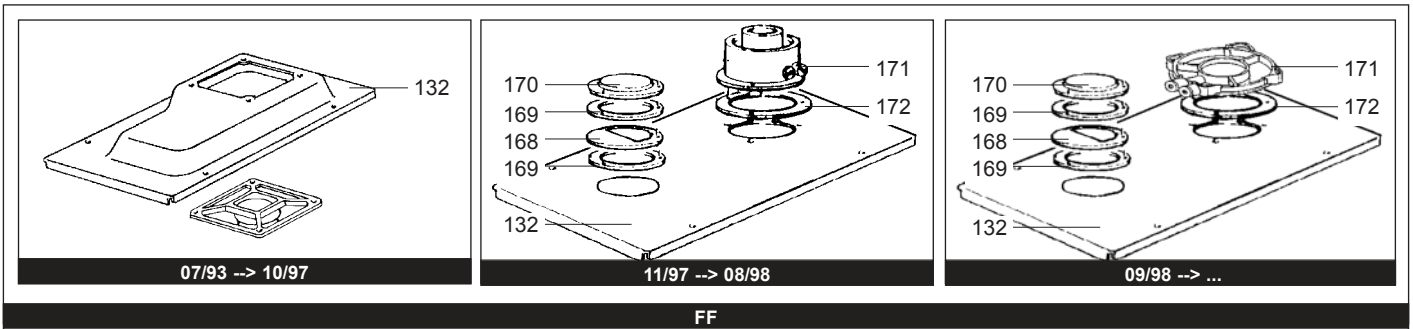
Model

NIAGARA

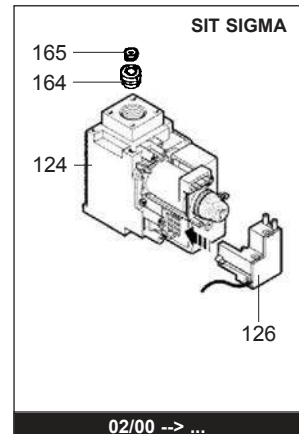
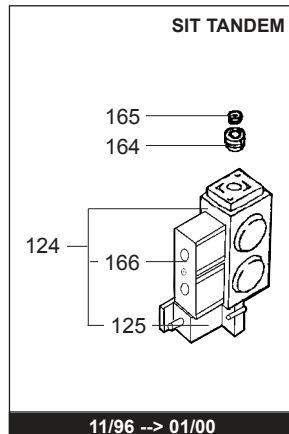
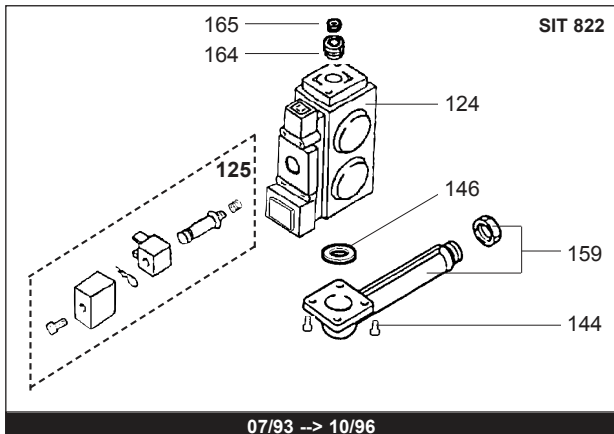
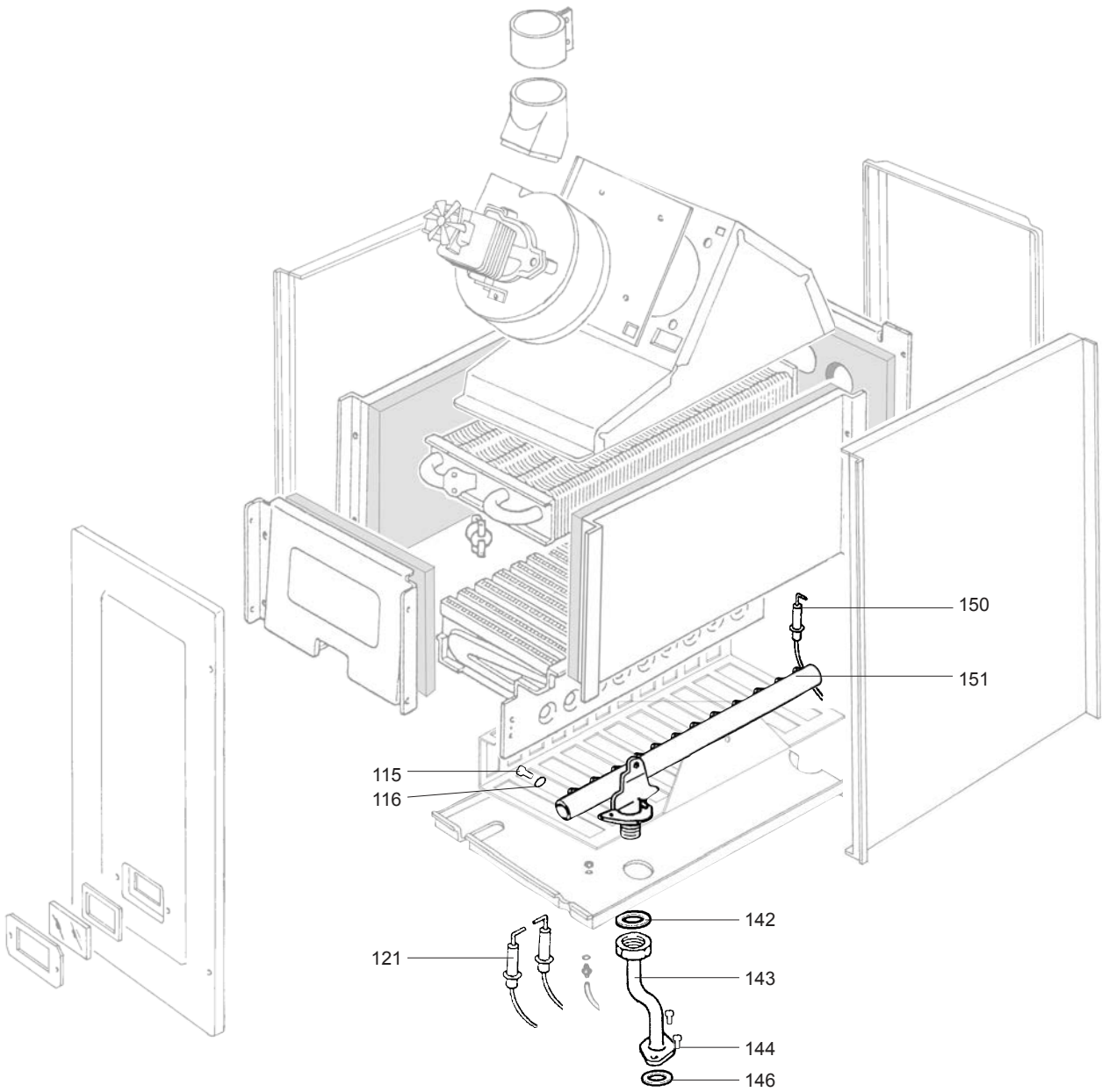
R8202218-07 - 21/03/2012

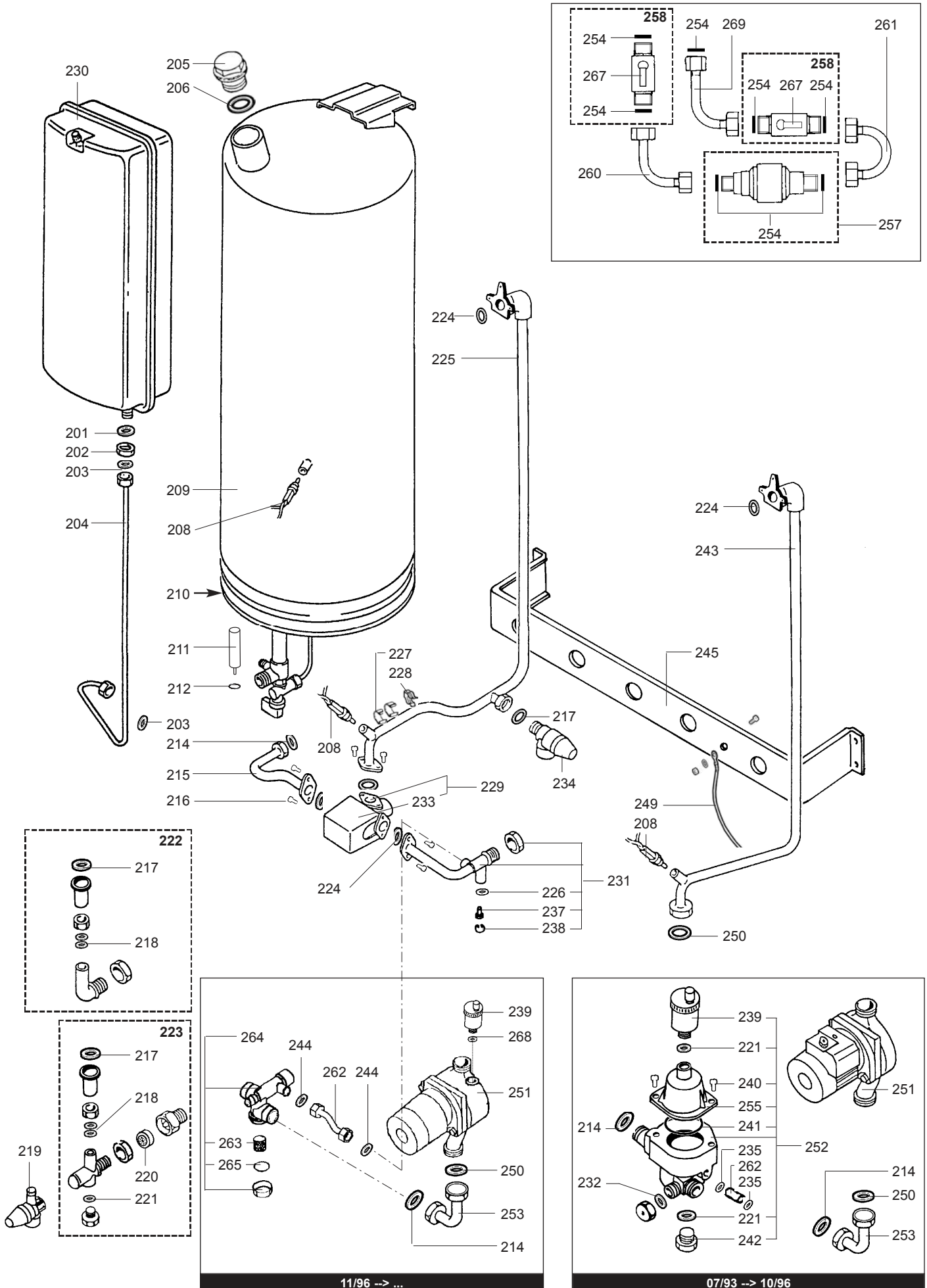
1	245831	NIAGARA 28 CF NAT	07/93	10/96
1	800245831	NIAGARA 28 CF NAT	11/96	08/98
1	800249131	NIAGARA 28 CF NAT	09/98	12/01
1	245821	NIAGARA 28 CF B/P	07/93	10/96
1	800245821	NIAGARA 28 CF B/P	11/96	08/98
1	800249121	NIAGARA 28 CF B/P	09/98	12/01
2	245837	NIAGARA 28 FF NAT	09/93	10/96
2	800245837	NIAGARA 28 FF NAT	11/96	10/97
2	800245838	NIAGARA 28 FF NAT	11/97	08/98
2	800249138	NIAGARA 28 FF NAT	09/98	12/01
2	245827	NIAGARA 28 FF B/P	09/93	10/96
2	800245827	NIAGARA 28 FF B/P	11/96	10/97
2	800245828	NIAGARA 28 FF B/P	11/97	08/98
2	800249128	NIAGARA 28 FF B/P	09/98	12/01
3	245731	NIAGARA 23 CF NAT	12/95	10/96
3	800245731	NIAGARA 23 CF NAT	11/96	08/98
3	800247731	NIAGARA 23 CF NAT	09/98	12/01
3	245721	NIAGARA 23 CF B/P	12/95	10/96
3	800245721	NIAGARA 23 CF B/P	11/96	08/98
3	800247721	NIAGARA 23 CF B/P	09/98	12/01
4	245736	NIAGARA 23 VMC NAT	12/95	10/96
4	800245736	NIAGARA 23 VMC NAT	11/96	08/98
4	800247736	NIAGARA 23 VMC NAT	09/98	12/01
5	800245737	NIAGARA 23 FF NAT	11/96	10/97
5	800245738	NIAGARA 23 FF NAT	11/97	08/98
5	800247738	NIAGARA 23 FF NAT	09/98	12/01
5	800245727	NIAGARA 23 FF B/P	11/96	10/97
5	800245728	NIAGARA 23 FF B/P	11/97	08/98
5	800247728	NIAGARA 23 FF B/P	09/98	12/01

Col	Reference	Model type	Begin	End
-----	-----------	------------	-------	-----



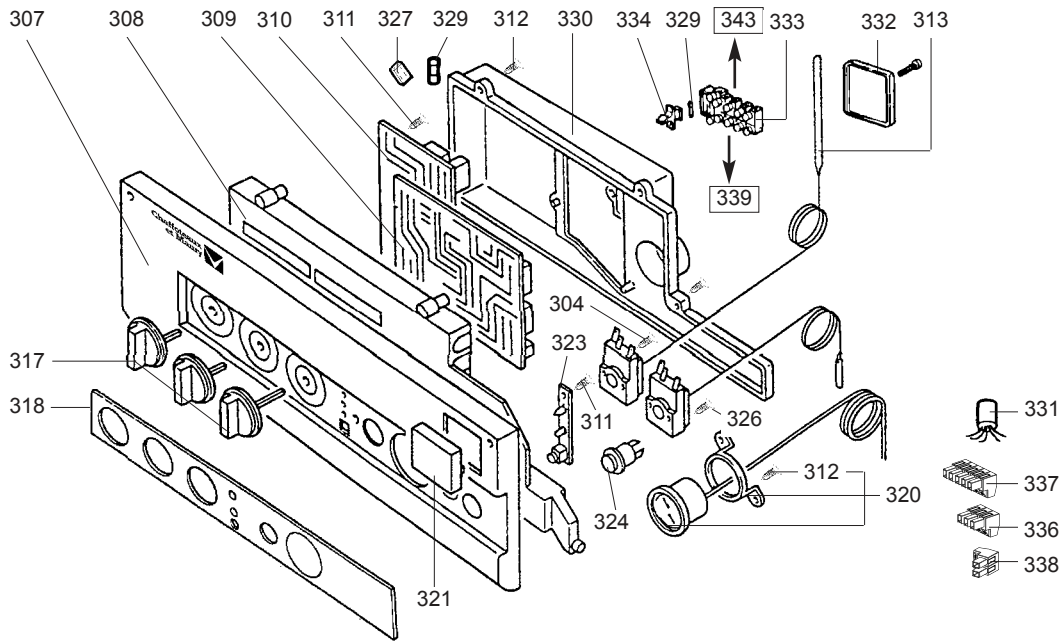
☉	Description	Manf. Pt. N	Type	<div style="display: flex; justify-content: space-between; align-items: center;"> <div style="transform: rotate(-45deg); font-size: 8px; white-space: nowrap;"> NIAGARA 28 CF NIAGARA 28 FF NIAGARA 23 CF NIAGARA 23 MMC NIAGARA 23 FF </div> <div style="border: 1px solid black; padding: 2px;"> 31 </div> </div>																		1	2	3	4	5	6	7	8	9	10	11	12	13	14	15	16	17	18		
0100	BURNER ASSEMBLY																																								
0101	DRAUGHT DIVERTER	60084291						•																																	
	DRAUGHT DIVERTER	60084299		•																																					
	DRAUGHT DIVERTER	60084300					•																																		
0104	TAPPING SCREW D: 4.2-13	60084035		•	•	•	•	•																																	
0105	SPIRE CLIP	60084036		•	•	•	•	•																																	
0106	FAN ASSY	60084015						•																																	
	CABLE (/ Fan assy)	60084161						•														07/93	10/96																		
	CABLE (/ Fan assy)	60084536						•			•											11/96	08/98																		
	CABLE (/ Fan assy)	60084659						•			•											09/98																			
0107	FLUE DUCT FIRST SECTION	60084573						•			•											07/93																			
0108	CASE SIDE PANEL	60084171						•			•																														
0109	INSULATING PLATES	60084050		•	•	•	•	•																																	
0110	COMBUSTION CHAMBER	60084049		•	•	•	•	•																																	
0111	TAPPING SCREW CBLX D: 4.2-9.5	61010125		•	•	•	•	•																																	
0112	TAPPING SCREW CBLZ D: 3.5-9.5	60054033						•			•																														
0114	OVERHEAT THERMOSTAT	60084156						•														07/93	11/95																		
	OVERHEAT THERMOSTAT 70C	60084292						•		•												12/95																			
	OVERHEAT THERMOSTAT 50C	60084318									•											12/95																			
0117	BURNER HEAD	60084302		•	•	•	•	•																																	
0118	CASE COVER ASSEMBLY	60084182						•			•																														
	GASKET	60084189						•			•																														
0119	GROMMET	60084177						•			•																														
0122	SPIRE CLIP	60084174						•			•																														
0128	OVERHEAT THERMOSTAT 105C	60084020		•	•	•	•	•																																	
	CABLE (/Overheat thermostat)	60084034		•	•																	07/93	11/95																		
	CABLE (/Overheat thermostat)	60084278		•	•	•	•															12/95	10/96																		
	CABLE (/Therm.-safety-modula.)	60084543		•	•	•	•	•														11/96	01/00																		
	CABLE (/Therm.-safety-modula.)	60084625		•	•	•	•	•														02/00																			
0129	TAPPING SCREW D: 2.9-6.5	60084045		•	•	•	•	•																																	
0132	CASE TOP PANEL	60084162						•			•											07/93	10/97																		
	CASE TOP PANEL	60084554						•			•											11/97	08/98																		
	CASE TOP PANEL	60084585						•			•											09/98																			
0134	TAPPING SCREW CBLZ D: 4.2-13	60079486						•			•																														
0135	SCREW M 6-8	60084167						•			•																														
0136	PLATE	60084168						•			•																														
0137	TAPPING SCREW D: 4.2-9.5	60084032		•	•	•	•	•																																	
0138	TRAPPED NUT M 4	60084169						•			•																														
0139	WASHER	60084031		•	•	•	•	•																																	
0141	GROMMET	60084184						•			•																														
0145	AIR PRESSURE SWITCH KIT	60084210						•			•											07/93	10/97																		
	AIR PRESSURE SWITCH KIT	60084568						•			•											11/97																			
0148	CASE REAR PANEL	60084172						•			•																														
0149	HEAT EXCHANGER (106 LAMELLES)	61007725		•	•	•	•	•																																	
0152	GRILLE	60084048		•		•	•																																		
0153	BASE - CASE	60084175						•			•											07/93	10/97																		
	GASKET	60084176						•			•																														
	BASE - CASE	60084558						•			•											11/97																			
0156	SILICONE TUBE D: 4x7 L: 1M40	60081265-03						•			•																														
0157	SCREW M 4-12	60042585-02						•			•																														
0160	CROSS LIGHTING STRIP	60084257		•	•	•	•	•																																	
0168	RESTRICTOR	60084549						•			•											11/97	08/98																		
	RESTRICTOR	60084583						•			•											09/98																			
0169	GASKET	60084553						•			•											11/97																			
0170	CLOSURE PLATE	60084552						•			•											11/97																			
0171	FLUE ADAPTOR	60084550						•			•											11/97	08/98																		
	FLUE ADAPTOR	60084600						•			•											09/98																			
0172	GASKET	60084584						•			•											11/97																			
0177	CONNECTION	60084559						•			•											11/97																			
0179	CONNECTION	60084159						•			•											07/93	10/97																		
	CONNECTION	60084586						•			•											11/97																			
0180	BEND + VENTURI	60084631						•			•											11/97																			



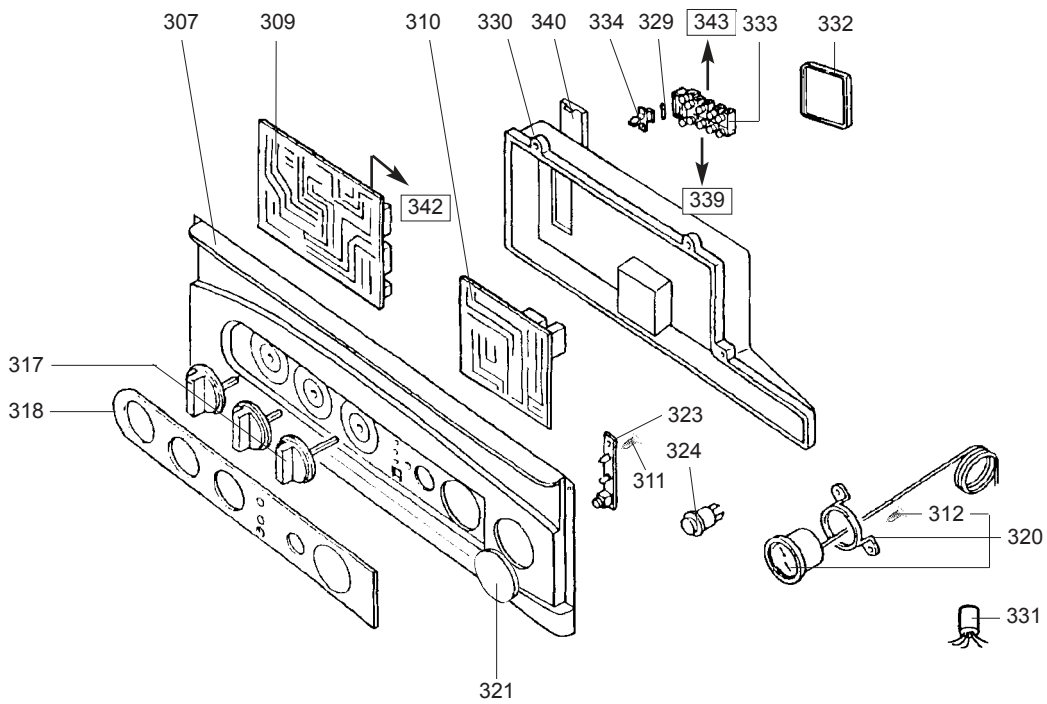


11/96 -> ...

07/93 -> 10/96

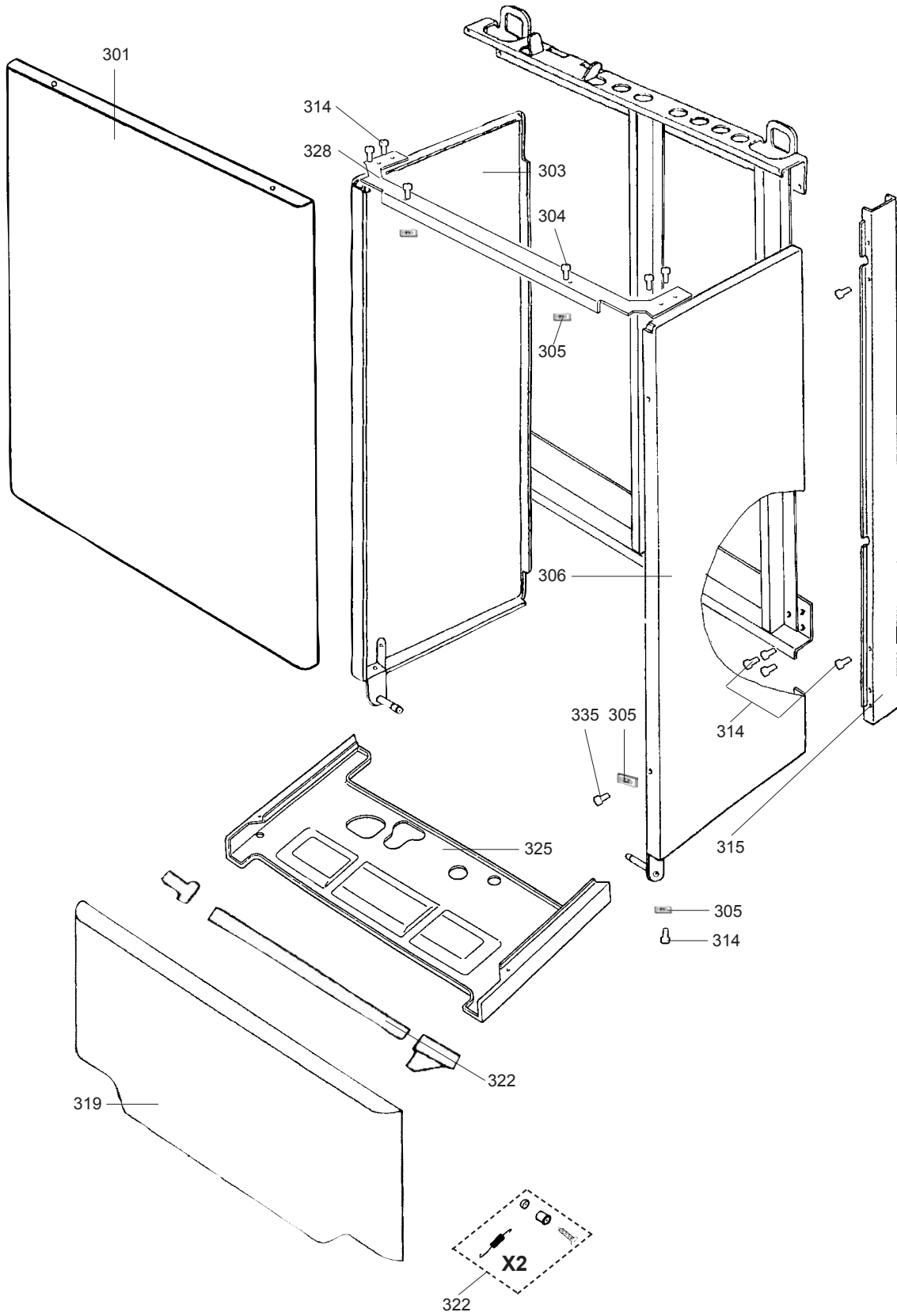


07/93 -> 08/98

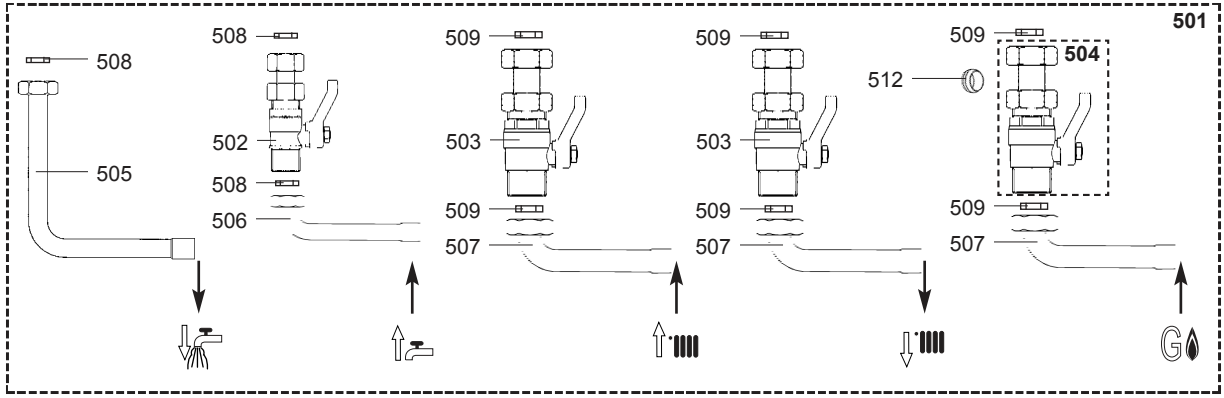


09/98 -> ...

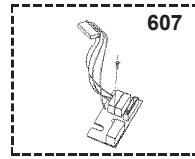
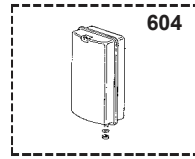
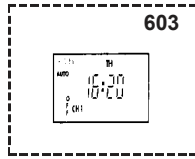
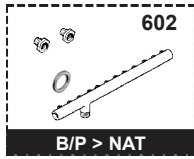
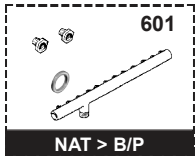
☉⇒	Description	Manf. Pt. N	Type																				
				1	2	3	4	5	6	7	8	9	10	11	12	13	14	15	16	17	18		
0300	FRONT CASE																						
0304	TAPPING SCREW D: 3.5-9.5	60084126		•	•	•	•	•															
0307	CONTROL PANEL	60084130		•	•	•	•	•												07/93	08/98		
	CONTROL PANEL	60084591		•	•	•	•	•												09/98			
0308	COVER SUPPORT	60084131		•	•	•	•	•												07/93	10/96		
	COVER SUPPORT	60084514		•	•	•	•	•												11/96	08/98		
0309	PRINTED CIRCUIT BOARD	60084008		•	•	•	•	•												07/93	10/96		
	PRINTED CIRCUIT BOARD	60084515		•	•	•	•	•												11/96	08/98		
	PRINTED CIRCUIT BOARD	60084516		•	•	•	•	•												11/96	08/98		
	PRINTED CIRCUIT BOARD	60084592		•	•	•	•	•												09/98			
0310	PRINTED CIRCUIT BOARD	60084003		•	•	•	•	•												07/93	10/96		
	PRINTED CIRCUIT BOARD OF IONI.	60084013		•	•	•	•	•												07/93	10/96		
	PRINTED CIRCUIT BOARD	60084517		•	•	•	•	•												11/96	08/98		
	PRINTED CIRCUIT BOARD	60084593		•	•	•	•	•												09/98	04/01		
	PRINTED CIRCUIT BOARD	60084594		•	•	•	•	•												09/98	04/01		
	PRINTED CIRCUIT BOARD	60084647		•	•	•	•	•												05/01			
	PRINTED CIRCUIT BOARD	60084648		•	•	•	•	•												05/01			
0311	TAPPING SCREW D: 3.5-8	60084290		•	•	•	•	•															
0312	SCREW	60084133		•	•	•	•	•															
0313	OVERHEAT THERMOSTAT	60084156		•	•	•	•	•												07/93	11/95		
0317	KNOBS SET	60084158		•	•	•	•	•															
0318	PRINTED FACIA	60084140		•	•	•	•	•												07/93	10/96		
	PRINTED FACIA	60084191		•	•	•	•	•												07/93	10/96		
	PRINTED FACIA	60084518		•	•	•	•	•												11/96	08/98		
	PRINTED FACIA	60084563		•	•	•	•	•												11/96	08/98		
	PRINTED FACIA	60084598		•	•	•	•	•												09/98			
	PRINTED FACIA	60084605		•	•	•	•	•												09/98			
0320	THERMO-MANOMETER KIT	60084103		•	•	•	•	•															
0321	COVER	60084144		•	•	•	•	•												07/93	08/98		
	COVER	60084599		•	•	•	•	•												09/98			
0323	PRINTED CIRCUIT BOARD	60084014		•	•	•	•	•												07/93	10/96		
	PRINTED CIRCUIT BOARD	60084026		•	•	•	•	•												07/93	10/96		
	PRINTED CIRCUIT BOARD	60084519		•	•	•	•	•												11/96	08/98		
	PRINTED CIRCUIT BOARD	60084520		•	•	•	•	•												11/96	08/98		
	PRINTED CIRCUIT BOARD	60084595		•	•	•	•	•												09/98			
0324	BUTTON	60084022		•	•	•	•	•												07/93	08/98		
	BUTTON	60084587		•	•	•	•	•												09/98			
0326	SCREW M 4-6	60019197-03		•	•	•	•	•															
0327	STRAP	60084221		•	•	•	•	•															
0329	FUSE 250V 2A	60054442		•	•	•	•	•															
0330	ELECTRICAL BOX COVER	60084601		•	•	•	•	•															
0331	FILTER	60084025		•	•	•	•	•												07/93	10/96		
	FILTER	60084522		•	•	•	•	•												11/96			
0332	COVER	60084521		•	•	•	•	•															
0333	CONNECTION STRIP	60084533		•	•	•	•	•												11/96			
0334	FUSE HOLDER	60084534		•	•	•	•	•												11/96			
0336	CONNECTOR (/Timeclock)	60084538		•	•	•	•	•												07/93	10/96		
0337	CONNECTOR (/Feed)	60084539		•	•	•	•	•												07/93	10/96		
0338	CONNECTOR (/Room thermostat)	60084540		•	•	•	•	•												07/93	10/96		
0339	CONNECTION BOX CABLE	60084660		•	•	•	•	•															
0340	COVER SUPPORT	60084590		•	•	•	•	•												09/98			
0342	INTERCONNECTION CABLE	60084616		•	•	•	•	•												07/93	10/96		
	INTERCONNECTION CABLE	60084665		•	•	•	•	•												09/98	04/02		
0343	SUPPLY CABLE	60084147		•	•	•	•	•															



500



600



☉⇒	Description	Manf. Pt. N	Type	<div style="display: flex; justify-content: space-between; font-size: small;"> NIAGARA 28 CF NIAGARA 28 FF NIAGARA 23 CF NIAGARA 23 MMC </div>																		31
				1	2	3	4	5	6	7	8	9	10	11	12	13	14	15	16	17	18	
0500	JIG PLATE & PIPE FITTING																					
0501	CONNECTION KIT	61017396		•	•	•	•	•														
0502	COLD WATER SERVICE TAP KIT	60084250		•	•	•	•	•														
0503	WATER FLOW & RETURN SERVI. TAP	60084251		•	•	•	•	•														
0504	GAS SERVICE TAP KIT	60084252		•	•	•	•	•														
0505	HOT WATER PIPE	60084253		•	•	•	•	•														
0506	COLD WATER PIPE	60084254		•	•	•	•	•														
0507	WATER FLOW & RETURN-GAS PIPE	60084255		•	•	•	•	•														
0508	GASKET D:18-12-2	60084258		•	•	•	•	•														
0509	GASKET D: 24-17-2	60084259		•	•	•	•	•														
0512	COMPRESSION OLIVE D: 18	60001095		•	•	•	•	•														
0600	ACCESSORIES																					
0601	CONVERSION KIT NAT > LPG	60084149		•	•															07/93	11/95	
	CONVERSION KIT NAT > LPG	60084314		•	•															12/95	01/00	
	CONVERSION KIT NAT > LPG	60084321				•		•												12/95	01/00	
	CONVERSION KIT NAT > LPG	61303170		•	•															02/00		
	CONVERSION KIT NAT > LPG	61303171				•		•												02/00		
0602	CONVERSION KIT BUT/PROP > NAT	60084150		•																07/93	11/95	
	CONVERSION KIT BUT/PROP > NAT	60084207			•															07/93	11/95	
	CONVERSION KIT BUT/PROP > NAT	60084315		•																12/95	01/00	
	CONVERSION KIT BUT/PROP > NAT	60084316			•															12/95	01/00	
	CONVERSION KIT BUT/PROP > NAT	60084322				•		•												12/95	01/00	
	CONVERSION KIT BUT/PROP > NAT	61303550		•																02/00		
	CONVERSION KIT BUT/PROP > NAT	61303551			•															02/00		
	CONVERSION KIT BUT/PROP > NAT	61303552				•		•												02/00		
0603	DIGITAL TIMECLOCK	61008962		•	•	•	•	•												07/93	08/98	
	MECANICAL TIMECLOCK	61016745		•	•	•	•	•												09/98		
0604	EXPANSION VESSEL KIT	61008966		•	•	•	•	•														
0607	PHASE INSULATOR KIT	60084619		•	•	•	•	•												11/96	08/98	

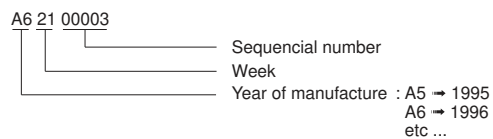
LIST OF THE ABBREVIATIONS

HW	: Hot water.
CW	: Cold water.
C	: Ceramic resistance (normal heating).
Ca	: Ceramic resistance (accelerated heating)
TP	: Immersion heater.
1F	: With fittings.
2F	: Without fittings.
3F	: With fittings and another outlet connection.
AMI	: With mixing valve.
SMI	: Without mixing valve.
PUISS	: Power of th appliance.
PN	: Appliance with normal pression.
LP	: Appliance with low pression.
PV	: Appliance with variable power.
PF	: Appliance with fixed power.

IDENTIFICATION PLATE

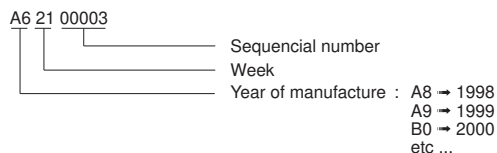
SERIAL NUMBER

9 Characters :

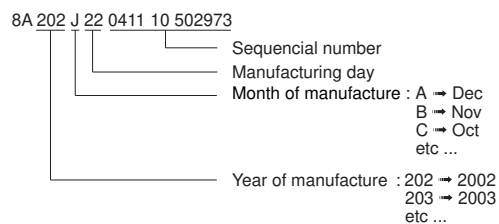


OR

9 Characters :



20 Characters :



The indications mentioned on the prices, commercial or technical literature and the scheme are written for your guidance and are available at a given time. The CONSTRUCTOR retains the power to modify the presentation, the form, the size, the conception or the material of the products.