

SPARE PARTS EXPLODED VIEW GAS WALL BOILERS

Model

NECTRA

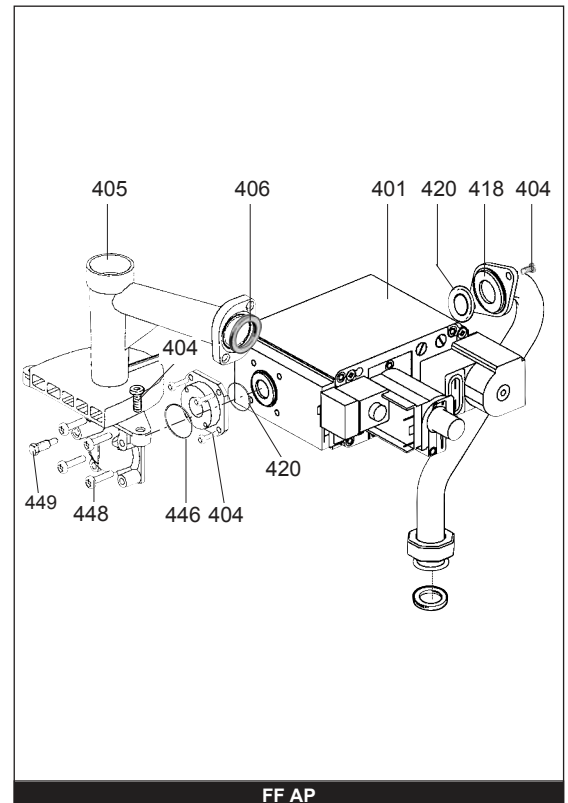
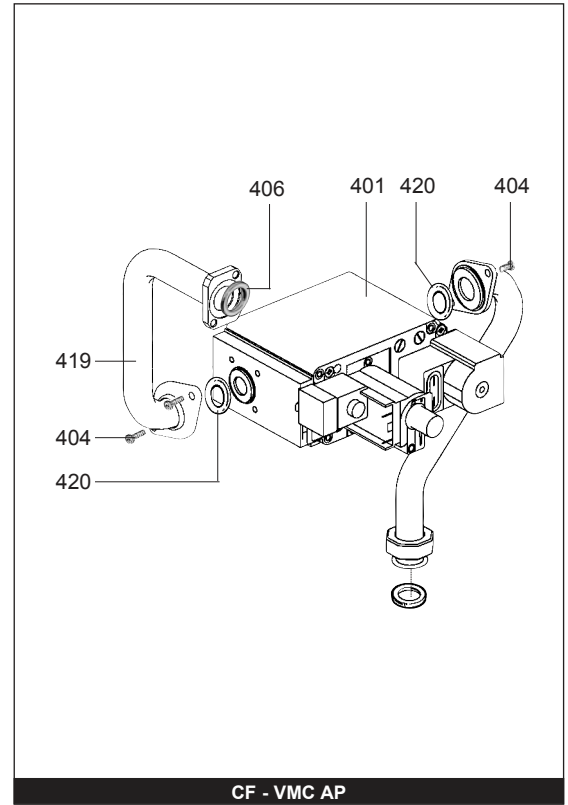
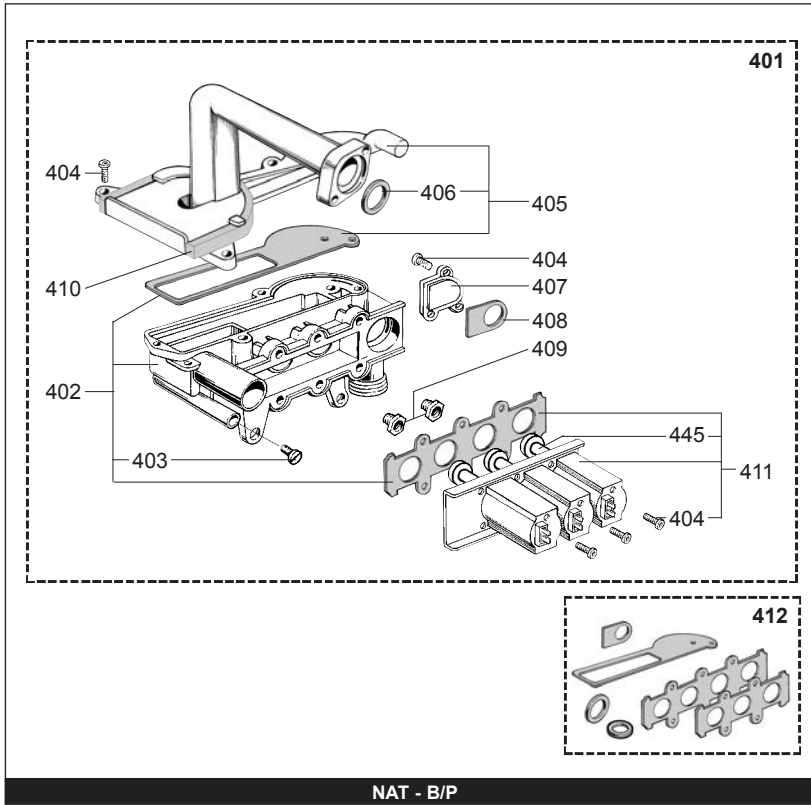
R8202217-07 - 22/03/2012

| | | | | |
|----|---------|---------------------|-------|-------|
| 1 | 213 531 | NECTRA 1.14 CF NAT | 09/96 | 03/02 |
| 2 | 243 531 | NECTRA 3.14 CF NAT | 11/96 | 08/00 |
| 3 | 243 536 | NECTRA 3.14 VMC NAT | 06/96 | 11/99 |
| 4 | 243 631 | NECTRA 3.18 CF NAT | 08/98 | 10/99 |
| 5 | 213 731 | NECTRA 1.23 CF NAT | 03/95 | 03/02 |
| 5 | 213 721 | NECTRA 1.23 CF B/P | 05/95 | 10/01 |
| 6 | 213 737 | NECTRA 1.23 FF NAT | 03/95 | 01/02 |
| 6 | 213 727 | NECTRA 1.23 FF B/P | / | / |
| 7 | 223 731 | NECTRA 2.23 CF NAT | 07/94 | 10/98 |
| 7 | 223 721 | NECTRA 2.23 CF B/P | 07/94 | 10/98 |
| 7 | 223 741 | NECTRA 2.23 CF GPO | 07/94 | 03/02 |
| 8 | 223 736 | NECTRA 2.23 VMC NAT | 11/94 | 07/98 |
| 8 | 223 726 | NECTRA 2.23 VMC B/P | / | / |
| 8 | 223 746 | NECTRA 2.23 VMC GPO | 09/95 | 03/02 |
| 9 | 223 737 | NECTRA 2.23 FF NAT | 11/94 | 09/98 |
| 9 | 223 727 | NECTRA 2.23 FF B/P | 01/95 | 09/98 |
| 9 | 223 747 | NECTRA 2.23 FF GPO | 09/00 | 06/02 |
| 10 | 243 731 | NECTRA 3.23 CF NAT | 06/95 | 01/97 |
| 10 | 243 731 | NECTRA 3.23 CF NAT | 02/97 | 05/99 |
| 10 | 243 721 | NECTRA 3.23 CF B/P | / | / |
| 10 | 243 721 | NECTRA 3.23 CF B/P | / | / |
| 11 | 243 736 | NECTRA 3.23 VMC NAT | 10/95 | 01/97 |
| 11 | 243 736 | NECTRA 3.23 VMC NAT | 02/97 | 03/98 |
| 11 | 243 726 | NECTRA 3.23 VMC B/P | / | / |
| 11 | 243 726 | NECTRA 3.23 VMC B/P | / | / |
| 12 | 243 737 | NECTRA 3.23 FF NAT | 06/95 | 01/97 |
| 12 | 243 737 | NECTRA 3.23 FF NAT | 02/97 | 05/99 |
| 12 | 243 727 | NECTRA 3.23 FF B/P | / | / |
| 12 | 243 727 | NECTRA 3.23 FF B/P | / | / |
| 13 | 223 831 | NECTRA 2.28 CF NAT | 11/95 | 10/98 |
| 13 | 223 821 | NECTRA 2.28 CF B/P | / | / |
| 14 | 223 837 | NECTRA 2.28 FF NAT | 02/96 | 06/96 |
| 14 | 223 837 | NECTRA 2.28 FF NAT | 09/96 | 05/98 |
| 14 | 223 827 | NECTRA 2.28 FF B/P | / | / |
| 14 | 223 827 | NECTRA 2.28 FF B/P | / | / |

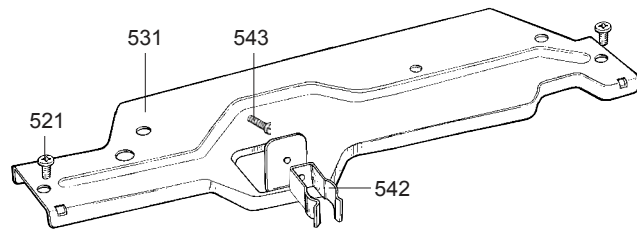
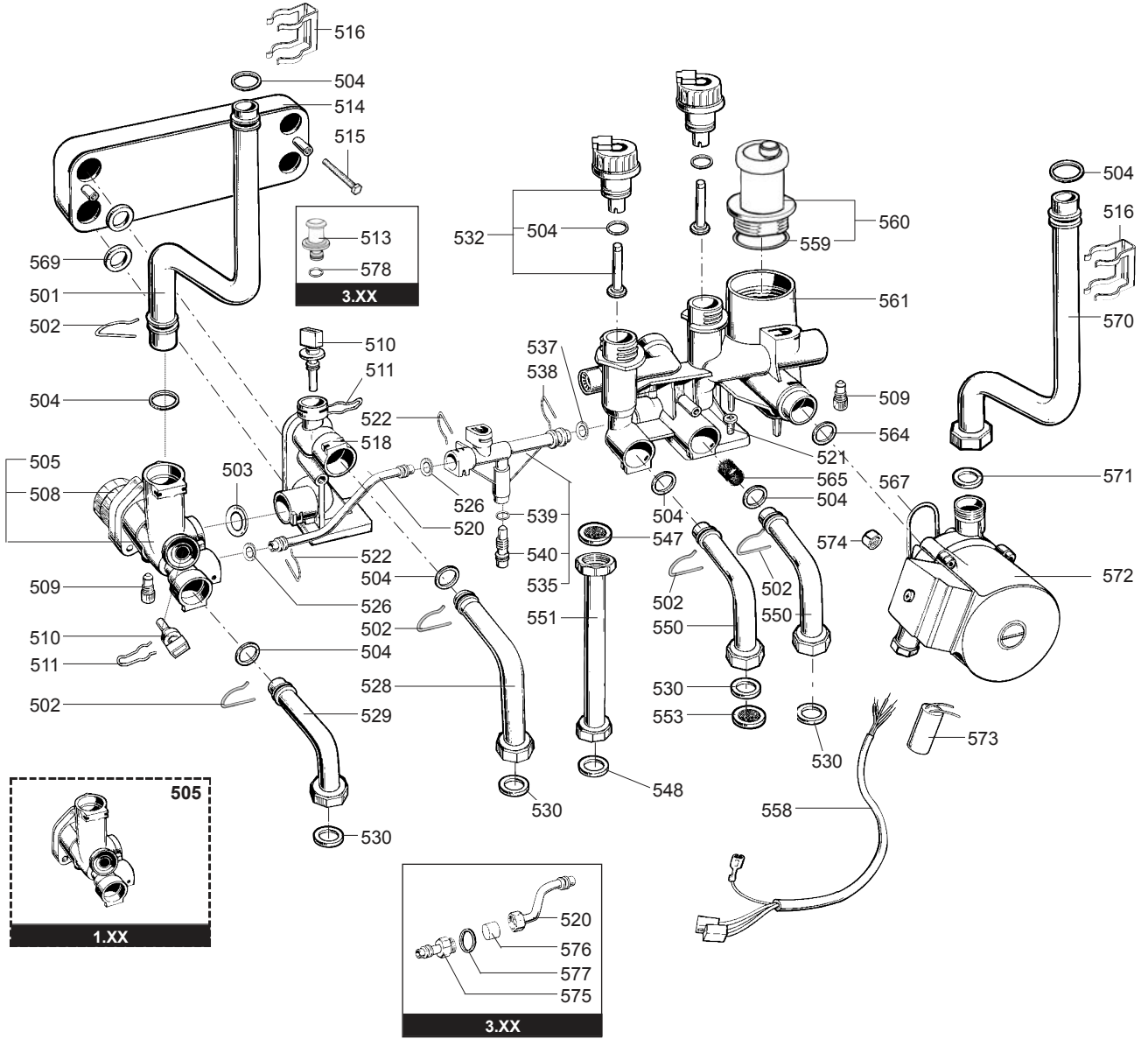
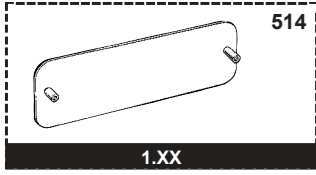
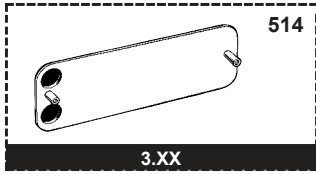
| Col | Reference | Model type | Begin | End |
|-----|-----------|------------|-------|-----|
|-----|-----------|------------|-------|-----|

| ☰ | Description | Manf. Pt. N | Type | <div style="display: flex; justify-content: space-between; font-size: 8px; text-align: center;"> NECTRA 1.14 CF NECTRA 3.14 CF NECTRA 3.14 VMC NECTRA 3.18 CF NECTRA 1.23 CF NECTRA 1.23 FF NECTRA 2.23 CF NECTRA 2.23 VMC NECTRA 3.23 CF NECTRA 3.23 VMC NECTRA 2.28 CF NECTRA 2.28 FF </div> | | | | | | | | | | | | | | | | | | 31 |
|------|-------------------------------|-------------|------|--|---|---|---|---|---|---|---|---|----|----|----|----|----|----|----|----|----|----|
| | | | | 1 | 2 | 3 | 4 | 5 | 6 | 7 | 8 | 9 | 10 | 11 | 12 | 13 | 14 | 15 | 16 | 17 | 18 | |
| 0100 | BURNER ASSEMBLY | | | | | | | | | | | | | | | | | | | | | |
| 0102 | COMBUSTION CHAMBER LINING KIT | 60081722 | | • | • | • | • | • | • | • | • | • | • | • | • | • | • | • | • | | | |
| 0103 | CLIP | 61010050 | | • | • | • | • | • | • | • | • | • | • | • | • | • | • | • | • | | | |
| 0104 | OVERHEAT THERMOSTAT 105C | 61010191 | | • | • | • | • | • | • | • | • | • | • | • | • | • | • | • | • | | | |
| | OVERHEAT THERMOSTAT 100C | 61010572 | | | | | | • | | • | | | • | | | • | | • | | | | |
| 0105 | CROSS LIGHTING STRIP | 61002811 | | | | | | • | | • | | | • | | | • | | • | | | | |
| | CROSS LIGHTING STRIP | 61010038 | | • | • | • | • | • | • | • | • | • | • | • | • | • | • | • | • | | | |
| 0106 | TAPPING SCREW CBLX D: 6.3-13 | 61010648 | | • | • | • | • | • | • | • | • | • | • | • | • | • | • | • | • | | | |
| 0107 | BURNER HEAD | 61010415 | | • | • | • | • | • | • | • | • | • | • | • | • | • | • | • | • | | | |
| | BURNER HEAD | 61010753 | | | | | | • | | • | | | • | | | • | | • | | | | |
| 0109 | GRILLE | 61010223 | | | | | | • | | • | | | • | | | • | | • | | | | |
| 0110 | IGNITION ELECTRODE | 61002801 | | • | • | • | • | • | • | • | • | • | • | • | • | • | • | • | • | | | |
| 0111 | IONIZATION ELECTRODE | 61002802 | | • | • | • | • | • | • | • | • | • | • | • | • | • | • | • | • | | | |
| 0113 | HEAT EXCHANGER | 61010017 | | • | • | • | • | • | • | • | • | • | • | • | • | • | • | • | • | | | |
| | HEAT EXCHANGER | 61010754 | | | | | | | | | | | | | | • | | | | | | |
| | HEAT EXCHANGER | 61011136 | | | | | | | | | | | | | | | | • | | | | |
| 0114 | COMBUSTION CHAMBER ASSY | 60081721 | | • | • | • | • | • | • | • | • | • | • | • | • | • | • | • | • | | | |
| 0115 | TAPPING SCREW CBLX D: 4.2-9.5 | 61010125 | | • | • | • | • | • | • | • | • | • | • | • | • | • | • | • | • | | | |
| 0116 | DEFLECTOR | 61010392 | | | | | | • | | • | | | • | | | • | | • | | | | |
| | DEFLECTOR | 61011642 | | | | | | | | | | | | | | | | • | | | | |
| 0117 | MANIFOLD 16 INJ. | 61010175 | B/P | | | | | • | • | • | • | • | • | • | • | • | • | • | • | | | |
| | MANIFOLD 16 INJ - RESTR. 3.8 | 61011141 | B/P | | | | | | • | • | | | | | | | | | | | | |
| | MANIFOLD 16 INJ. | 61011312 | B/P | | | | | | | | | | | | | | | • | | | | |
| | MANIFOLD 16 INJ. | 61011617 | B/P | | | | | | | | | | | | | | | • | | | | |
| | MANIFOLD 16 INJ. | 61010030 | NAT | • | • | • | • | • | • | • | • | • | • | • | • | • | • | • | • | | | |
| | MANIFOLD 16 INJ. | 61010341 | NAT | | | | | • | | • | | | • | | | • | | • | | | | |
| | MANIFOLD 16 INJ - RESTR. 4.6 | 61011140 | NAT | | | | | | • | • | | | | | | | | | | | | |
| | MANIFOLD 16 INJ. | 61011305 | NAT | | | | | | | | | | | | | | | • | | | | |
| | MANIFOLD 16 INJ - RESTR. 3.8 | 61017815 | NAT | | | | | | | | | • | | | | | | | | | | |
| 0118 | TAPPING SCREW CBLX D: 4.2-25 | 61010128 | | • | • | • | • | • | • | • | • | • | • | • | • | • | • | • | • | | | |
| 0119 | SCREW HX M 5-12 | 61010131 | | • | • | • | • | • | • | • | • | • | • | • | • | • | • | • | • | | | |
| 0120 | SPIRE CLIP | 60057488 | | • | • | • | • | • | • | • | • | • | • | • | • | • | • | • | • | | | |

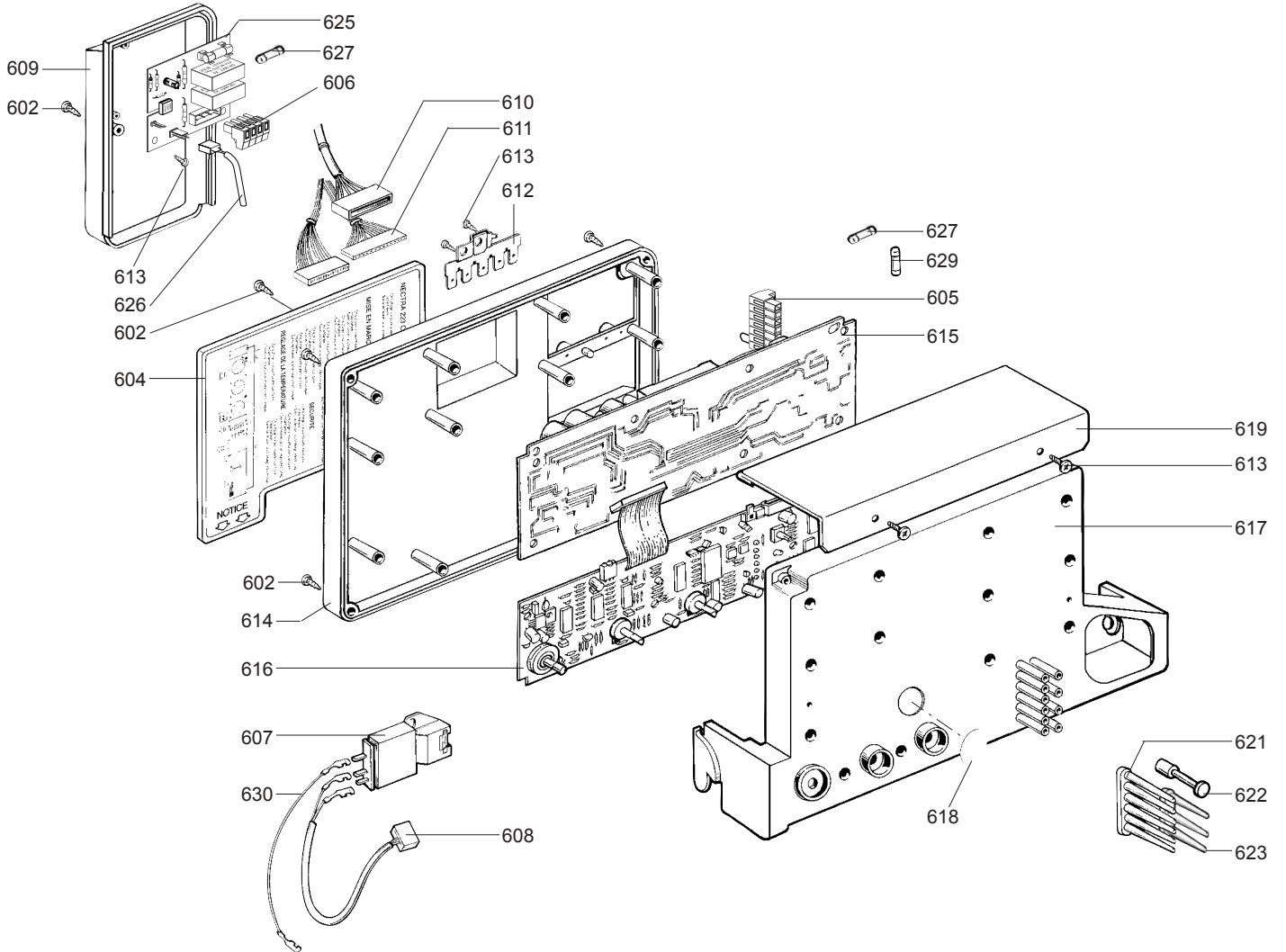
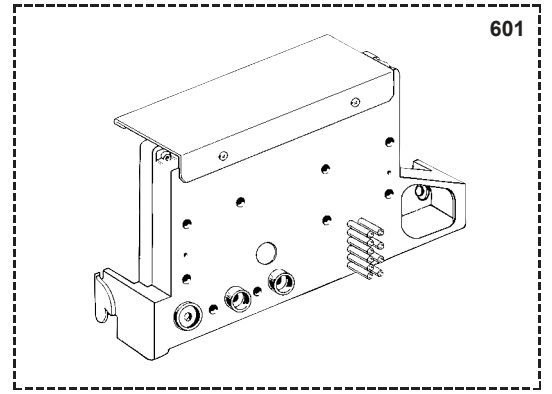
| ☉⇒ | Description | Manf. Pt. N | Type | | | | | | | | | | | | | | | | | | | 31 |
|-------------|-------------------------------|-------------|------|---|---|---|---|---|---|---|---|---|----|----|----|----|----|----|----|-------|----|----|
| | | | | 1 | 2 | 3 | 4 | 5 | 6 | 7 | 8 | 9 | 10 | 11 | 12 | 13 | 14 | 15 | 16 | 17 | 18 | |
| 0200 | FAN ASSEMBLY | | | | | | | | | | | | | | | | | | | | | |
| 0201 | SCREW H M 6-12 | 61013098 | | | | | | | • | | • | | • | | • | | | | | | | |
| 0202 | BEND 45 DEG KIT. | 60081726 | | | | | | | • | | • | | • | | • | | | | | | | |
| 0204 | VENTURI D: 3.7 | 61010337 | | | | | | | • | | • | | • | | • | | | | | | | |
| 0205 | GASKET (/Fan assy) | 60081729 | | | | | | | • | | • | | • | | • | | | | | | | |
| 0206 | FAN ASSY | 61003011 | | | | | | | • | | • | | • | | • | | | | • | | | |
| | FAN ASSY | 61010212 | | | | | | | • | | • | | • | | • | | | | | | | |
| 0208 | FAN PLATE MOUNTING | 61010096 | | | | | | | • | | • | | • | | • | | | | • | | | |
| 0212 | COMPLETE GASKETS KIT | 60081727 | | | | | | | • | | • | | • | | • | | | | • | | | |
| 0213 | CONNECTION M 14x100 | 60061665 | | | | | | | • | | • | | • | | • | | | | • | | | |
| 0214 | SILICONE TUBE D: 9x3 L: 1.30M | 60081265 | | | | | | | • | | • | | • | | • | | | | • | | | |
| 0216 | AIR PRESSURE SWITCH KIT | 60081725 | | | | | | | • | | • | | • | | • | | | | • | | | |
| 0217 | SHEET SCREW CBLX D: 3.5-6.5 | 61010126 | | • | • | • | • | • | • | | • | • | | • | • | | | | • | | | |
| 0218 | OVERHEAT THERMOSTAT 72C | 61010074 | | | | • | • | | • | | | • | | | • | | | | | | | |
| | OVERHEAT THERMOSTAT 54C | 61010358 | | | | | | | • | | | • | | | | | | | | | | |
| | THERMOSTAT (SAFETY - 70C) | 61012479 | | • | • | | | | | | | | | | | | | | | | | |
| | OVERHEAT THERMOSTAT 51.5C | 61012480 | | | | • | | | | | | | | | | | | | | | | |
| 0219 | TAPPING SCREW CBLZ D: 3.5-9.5 | 60054033 | | | | | | | • | | • | | • | | • | | | | • | | | |
| 0220 | SUPPORT BRACKET | 61012482 | | • | • | • | | | | | | | | | | | | | | | | |
| 0221 | HOOD | 61010589 | | | | | | | • | | • | | • | | | | | | | | | |
| 0222 | DRAUGHT DIVERTER | 61010117 | | • | • | | • | • | | • | | • | | | | | | | | | | |
| | DRAUGHT DIVERTER | 61010354 | | | | | | | | • | | | • | | | | | | | | | |
| | DRAUGHT DIVERTER | 61011170 | | | | | | | | | | | | | | | | | • | | | |
| 0223 | FLUE SPIGOT D: 112 | 61009894 | | • | • | | | | | | | | | | | | | | | | | |
| 0224 | GRILLE | 61011760 | | • | • | • | | | | | | | | | | | | | | | | |
| 0225 | CLIP | 61011761 | | • | • | • | | | | | | | | | | | | | | | | |
| 0226 | TAPPING SCREW CBLX D: 4.2-9.5 | 61010125 | | | | | | | • | | • | | • | | • | | | | • | | | |
| 0227 | SCREW HX M 5-12 | 61010131 | | | | | | | • | | • | | • | | • | | | | • | | | |
| 0228 | TAPPING SCREW CBLX D: 6.3-13 | 61010648 | | • | • | • | • | • | • | • | • | • | • | • | • | • | • | • | • | | | |
| 0229 | SCREW THZ 5-14 | 61003768 | | | | | | | • | | • | | • | | • | | | | • | | | |
| 0300 | SEALED CASE | | | | | | | | | | | | | | | | | | | | | |
| 0301 | CLOSURE PLATE | 61010218 | | | | | | | • | | • | | • | | • | | | | • | | | |
| 0302 | GASKET (/Connection) | 61010238 | | | | | | | • | | • | | • | | • | | | | • | | | |
| 0303 | TOP PANEL BOX KIT | 61010590 | | | | | | | • | | • | | • | | • | | | | • | | | |
| 0304 | FOAM SEAL 12.5x5 L: 2.5M | 60081273 | | | | | | | • | | • | | • | | • | | | | • | | | |
| 0305 | CASE | 61010106 | | | | | | | • | | • | | • | | • | | | | • | | | |
| 0306 | TAPPING SCREW CBLZ D: 4.2-13 | 60079486 | | | | | | | • | | • | | • | | • | | | | • | | | |
| 0308 | SPIRE CLIP | 60057488 | | | | | | | • | | • | | • | | • | | | | • | | | |
| 0309 | BASE - BOX | 61010588 | | | | | | | • | | • | | • | | • | | | | • | | | |
| 0311 | CASE COVER | 60081851 | | | | | | | • | | • | | • | | • | | | | • | | | |
| 0313 | TAPPING SCREW CBLZ D: 4.2-19 | 61003114 | | | | | | | • | | • | | • | | • | | | | • | | | |
| 0314 | GROMMET | 61010109 | | | | | | | • | | • | | • | | • | | | | • | | | |
| 0315 | GROMMET | 60039017 | | | | | | | • | | • | | • | | • | | | | • | | | |
| 0316 | GROMMET - DOUBLE | 60042707 | | | | | | | • | | • | | • | | • | | | | • | | | |
| 0317 | DEFLECTOR | 61012601 | | | | | | | | | | | | | | | | | • | 09/96 | | |
| 0318 | DEFLECTOR | 61012602 | | | | | | | | | | | | | | | | | • | 09/96 | | |



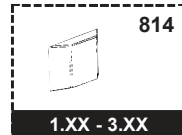
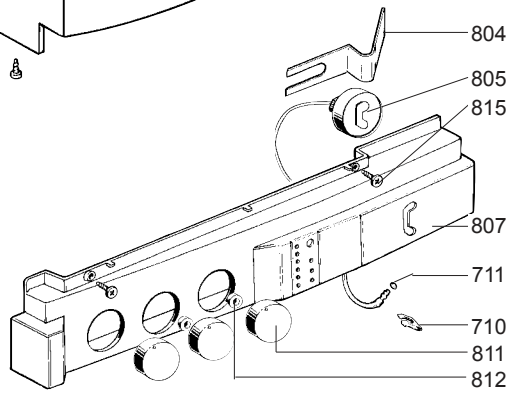
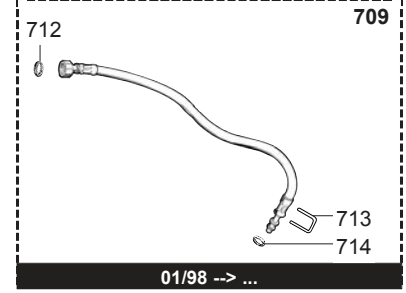
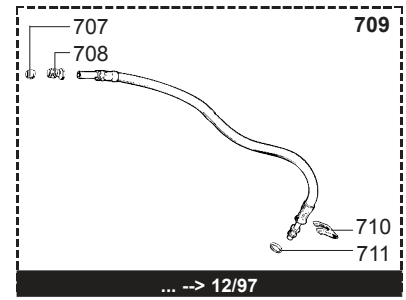
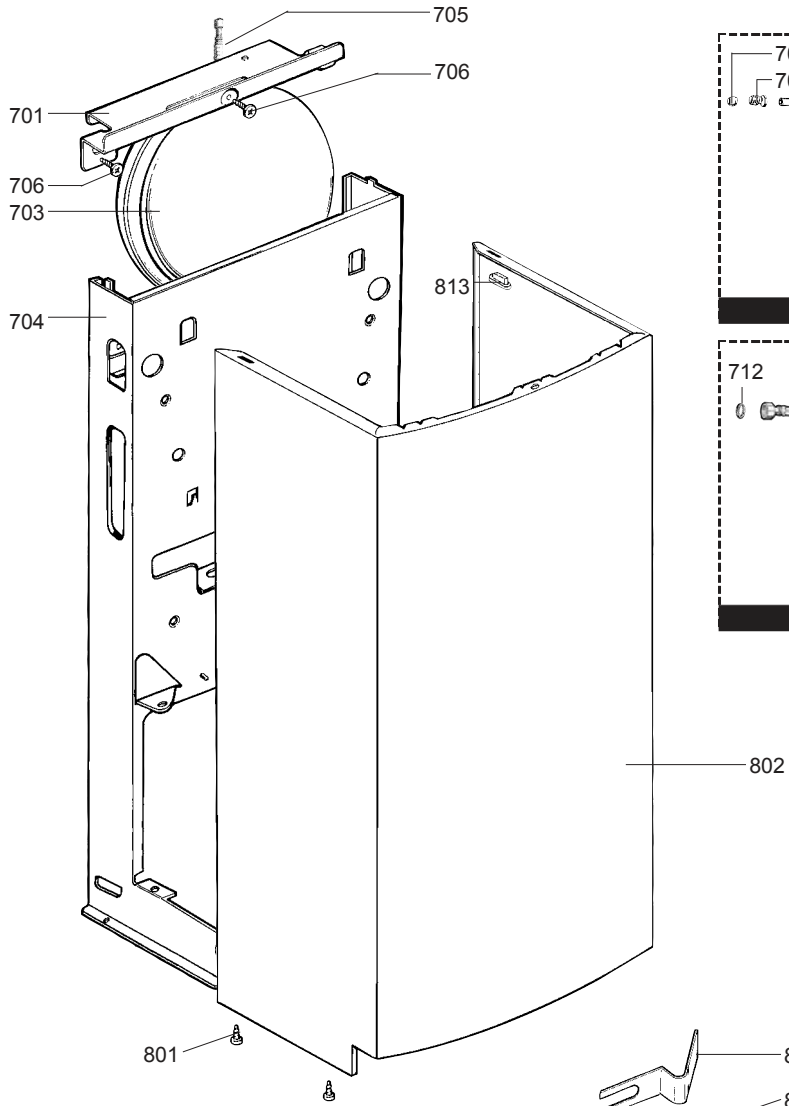
| ☉⇒ | Description | Manf. Pt. N | Type | <div style="display: flex; justify-content: space-between; font-size: small;"> NECTRA 1.11.CF NECTRA 3.11.CF NECTRA 3.14.VMG NECTRA 3.18.CF NECTRA 1.23.CF NECTRA 2.23.FF NECTRA 2.23.CF NECTRA 2.23.VMG NECTRA 3.23.CF NECTRA 3.23.VMG NECTRA 2.28.CF NECTRA 2.28.FF </div> | | | | | | | | | | | | | | | | | | 31 |
|-------------|---------------------------|-------------|------|--|---|---|---|---|---|---|---|---|----|----|----|----|----|----|----|----|----|----|
| | | | | 1 | 2 | 3 | 4 | 5 | 6 | 7 | 8 | 9 | 10 | 11 | 12 | 13 | 14 | 15 | 16 | 17 | 18 | |
| 0400 | GAS SECTION | | | | | | | | | | | | | | | | | | | | | |
| 0401 | GAS VALVE GPO | 61010794 | AP | | | | | | | ● | ● | ● | | | | | | | | | | |
| | GAS SECTION LPG ASSY | 61010174 | B/P | | | | ● | | | ● | ● | ● | ● | | | | | | | | | |
| | GAS SECTION LPG ASSY | 61011230 | B/P | | | | | | | | | | | | | | | ● | | | | |
| | GAS SECTION NAT ASSY | 61010142 | NAT | | | | ● | | | ● | ● | ● | ● | ● | | | | | | | | |
| | GAS SECTION NAT ASSY | 61010344 | NAT | | | | | | ● | | | ● | | | ● | | | | | | | |
| | GAS SECTION NAT ASSY | 61011229 | NAT | | | | | | | | | | | | | | | | ● | | | |
| | GAS SECTION NAT ASSY | 61011932 | NAT | ● | ● | ● | | | | | | | | | | | | | | | | |
| 0402 | GAS SECTION ASSY | 60081669 | | ● | ● | ● | ● | ● | ● | ● | ● | ● | ● | ● | ● | ● | ● | ● | ● | | | |
| 0403 | PRESSURE TEST POINT SCREW | 60019445 | | ● | ● | ● | ● | ● | ● | ● | ● | ● | ● | ● | ● | ● | ● | ● | ● | | | |
| 0404 | SCREW HX M 5-12 | 61010131 | | ● | ● | ● | ● | ● | ● | ● | ● | ● | ● | ● | ● | ● | ● | ● | ● | | | |
| 0405 | BURNER BASE KIT | 60081835 | AP | | | | | | | | | ● | | | | | | | | | | |
| | BURNER BASE KIT | 60081667 | B/P | | | | ● | ● | ● | ● | ● | ● | ● | ● | ● | ● | ● | ● | ● | | | |
| | BURNER BASE KIT | 60081667 | NAT | ● | ● | ● | ● | ● | ● | ● | ● | ● | ● | ● | ● | ● | ● | ● | ● | | | |
| 0406 | GASKET (/Manifold) | 61010071 | | ● | ● | ● | ● | ● | ● | ● | ● | ● | ● | ● | ● | ● | ● | ● | ● | | | |
| 0407 | GAS SECTION COVER | 60079232 | | ● | ● | ● | ● | ● | ● | ● | ● | ● | ● | ● | ● | ● | ● | ● | ● | | | |
| 0408 | GASKET (/Cover) | 60060021 | | ● | ● | ● | ● | ● | ● | ● | ● | ● | ● | ● | ● | ● | ● | ● | ● | | | |
| 0409 | RESTRICTORS PACK | 60081695 | B/P | | | | ● | | | ● | ● | ● | ● | ● | | | | | | | | |
| | RESTRICTORS PACK | 60081728 | B/P | | | | | ● | | | ● | | | ● | | | | | | | | |
| | RESTRICTORS PACK | 60081757 | B/P | | | | | | | | | | | | | | | ● | | | | |
| | RESTRICTORS PACK | 60081774 | B/P | | | | | | | | | | | | | | | | ● | | | |
| | RESTRICTORS PACK | 60081668 | NAT | | | | ● | | | ● | ● | ● | ● | ● | | | | | | | | |
| | RESTRICTORS PACK | 60081724 | NAT | | | | | ● | | | ● | | | ● | | | | | | | | |
| | RESTRICTORS PACK | 60081758 | NAT | | | | | | | | | | | | | | | ● | | | | |
| | RESTRICTORS PACK | 60081773 | NAT | | | | | | | | | | | | | | | | ● | | | |
| | RESTRICTORS PACK | 60081786 | NAT | ● | ● | ● | | | | | | | | | | | | | | | | |
| | RESTRICTORS PACK | 60081787 | NAT | | | | ● | | | | | | | | | | | | | | | |
| 0410 | FOAM SEAL 12x7 L: 5M | 60081273-04 | | | | | | | ● | | ● | | | ● | | | | ● | | | | |
| 0411 | SOLENOID VALVES KIT | 60081003 | | ● | ● | ● | ● | ● | ● | ● | ● | ● | ● | ● | ● | ● | ● | ● | ● | | | |
| 0412 | GAS SECTION GASKETS KIT | 60081670 | | ● | ● | ● | ● | ● | ● | ● | ● | ● | ● | ● | ● | ● | ● | ● | ● | | | |
| 0418 | UPPER GAS TUBE | 61016313 | AP | | | | | | | | | | | | | | | | | | | |
| 0419 | DOWN GAS TUBE | 61010858 | AP | | | | | | | ● | ● | | | | | | | | | | | |
| 0420 | O-RING D: 28.24-2.62 | 60022113-13 | AP | | | | | | | ● | ● | ● | | | | | | | | | | |
| 0445 | SOLENOID PISTONS KIT | 60081368 | | ● | ● | ● | ● | ● | ● | ● | ● | ● | ● | ● | ● | ● | ● | ● | ● | | | |
| 0446 | O-RING D: 22-2.6 | 60021061-40 | AP | | | | | | | | | | | | | | | | | | | |
| 0448 | SCREW CBLXS M 4-20 | 61014415 | | | | | | | | | | | | | | | | | | | | |
| 0449 | PRESSURE TEST POINT SCREW | 61016378 | AP | | | | | | | | | | | | | | | | | | | |



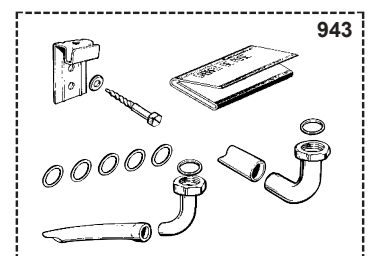
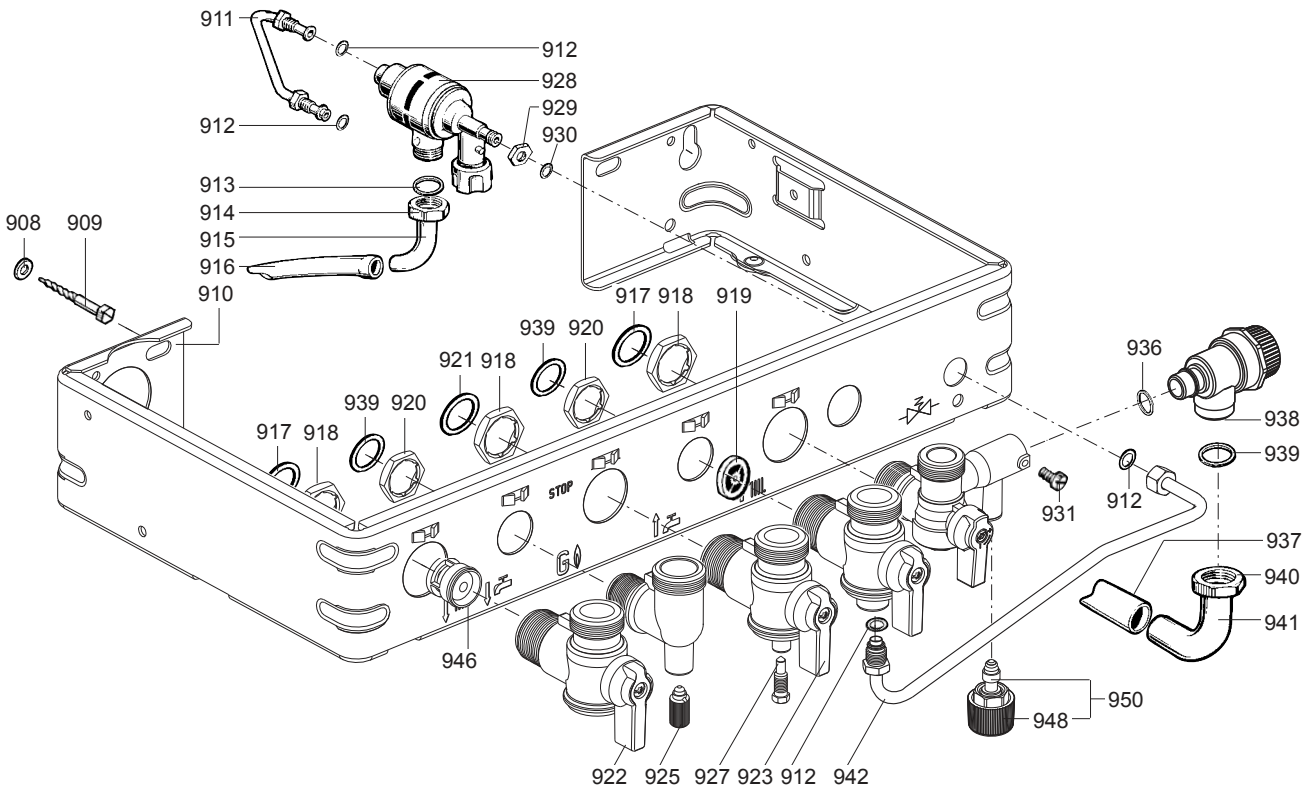
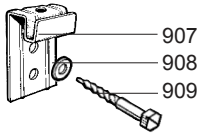
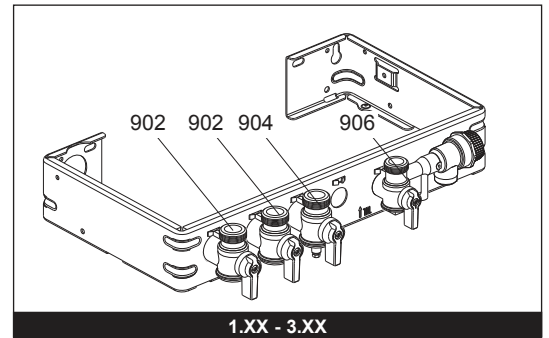
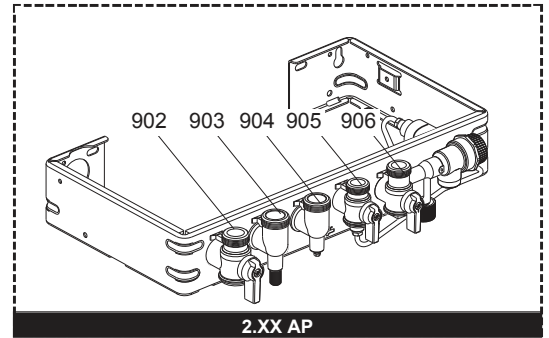
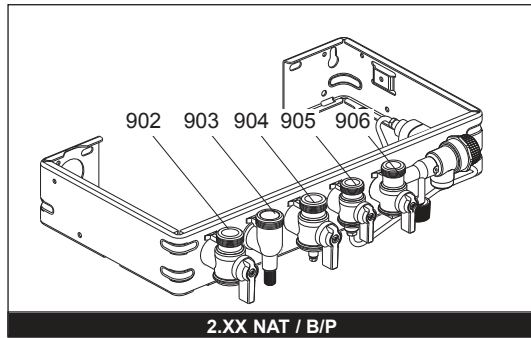
| ☉⇒ | Description | Manf. Pt. N | Type | | | | | | | | | | | | | | | | | | | 31 |
|------|---------------------------------|-------------|------|---|---|---|---|---|---|---|---|---|----|----|----|----|----|----|----|----|----|----|
| | | | | 1 | 2 | 3 | 4 | 5 | 6 | 7 | 8 | 9 | 10 | 11 | 12 | 13 | 14 | 15 | 16 | 17 | 18 | |
| 0500 | HYDRAULIC BLOCK | | | | | | | | | | | | | | | | | | | | | |
| 0501 | TUBE-EXCHAN TO 3-WAY VALVE | 61010333 | | • | • | • | • | • | • | • | • | • | • | • | • | • | • | • | • | | | |
| 0502 | CLIP | 61010012 | | • | • | • | • | • | • | • | • | • | • | • | • | • | • | • | • | | | |
| 0503 | O-RING D: 18.4-2.7 | 60024164-22 | | • | • | • | • | • | • | • | • | • | • | • | • | • | • | • | • | | | |
| 0504 | O-RING D: 17-4 | 60024164-51 | | • | • | • | • | • | • | • | • | • | • | • | • | • | • | • | • | | | |
| 0505 | THREE-WAY VALVE | 61010000 | | • | • | • | • | • | • | • | • | • | • | • | • | • | • | • | • | | | |
| | VALVE BLOCK ASSY | 61010436 | | • | | | • | | | | | | | | | | | | | | | |
| 0508 | MOTOR - THREE-WAY VALVE | 60081953 | | | • | • | • | | | • | • | • | • | • | • | • | • | • | • | | | |
| 0509 | DRAIN SCREW ASSY | 60081028 | | • | • | • | • | • | • | • | • | • | • | • | • | • | • | • | • | | | |
| 0510 | THERMISTOR TEMP. SENSOR | 61000733 | | • | • | • | • | • | • | • | • | • | • | • | • | • | • | • | • | | | |
| 0511 | TEMPERATURE SENSOR CLIP | 61002083 | | • | • | • | • | • | • | • | • | • | • | • | • | • | • | • | • | | | |
| 0513 | PLUG | 61010485 | | • | • | • | • | | | | | • | • | • | | | | | | | | |
| 0514 | JOINING PLATE | 61010439 | | • | | | • | • | | | | | | | | | | | | | | |
| | SHUNT PLATE | 61010611 | | | • | • | • | | | | | • | • | • | | | | | | | | |
| | WATER / WATER HEAT EXCHANGER 14 | 61011164 | | | | | | | • | • | • | | | | • | • | | | | | | |
| 0515 | SCREW CBLX M 5-40 | 61010129 | | • | • | • | • | • | • | • | • | • | • | • | • | • | • | • | • | | | |
| 0516 | CLIP | 61010609 | | • | • | • | • | • | • | • | • | • | • | • | • | • | • | • | • | | | |
| 0518 | LEFT HAND HYDRAULIC BLOCK | 61010003 | | • | • | • | • | • | • | • | • | • | • | • | • | • | • | • | • | | | |
| 0520 | BYPASS TUBE | 61010044 | | • | | | • | • | • | • | • | • | • | • | • | • | • | • | • | | | |
| | BYPASS TUBE | 61010044 | | | • | • | • | | | | | • | • | • | | | | | | | | |
| | BYPASS TUBE | 61010751 | | | • | • | • | | | | | • | • | • | | | | | | | | |
| 0521 | TAPPING SCREW CBLX D: 6.3-19 | 61010127 | | • | • | • | • | • | • | • | • | • | • | • | • | • | • | • | • | | | |
| 0522 | CLIP | 61010005 | | • | • | • | • | • | • | • | • | • | • | • | • | • | • | • | • | | | |
| 0526 | O-RING D: 8.9-2.7 | 61009834-14 | | • | • | • | • | • | • | • | • | • | • | • | • | • | • | • | • | | | |
| 0528 | HOT WATER BEND | 61010056 | | • | • | • | • | • | • | • | • | • | • | • | • | • | • | • | • | | | |
| 0529 | HEATING FLOW BEND | 61010057 | | • | • | • | • | • | • | • | • | • | • | • | • | • | • | • | • | | | |
| 0530 | SHEET GASKET D: 24-17-1.5 | 60061855-19 | | • | • | • | • | • | • | • | • | • | • | • | • | • | • | • | • | | | |
| 0531 | HYDRAULIC PLATE | 61010042 | | • | • | • | • | • | • | • | • | • | • | • | • | • | • | • | • | | | |
| 0532 | WATER THROTTLE | 60081471 | | • | • | • | • | • | • | • | • | • | • | • | • | • | • | • | • | | | |
| 0535 | BYPASS BODY | 61010110 | | • | • | • | • | • | • | • | • | • | • | • | • | • | • | • | • | | | |
| | BYPASS BODY | 61016387 | | • | • | • | • | • | • | • | • | • | • | • | • | • | • | • | • | | | |
| 0537 | O-RING D: 13.6-2.7 | 60024164-18 | | • | • | • | • | • | • | • | • | • | • | • | • | • | • | • | • | | | |
| 0538 | CLIP | 61010112 | | • | • | • | • | • | • | • | • | • | • | • | • | • | • | • | • | | | |
| 0539 | O-RING D: 1.9-8 | 61009833-34 | | • | • | • | • | • | • | • | • | • | • | • | • | • | • | • | • | | | |
| 0540 | ADJUSTING SCREW OF BY-PASS | 61010111 | | • | • | • | • | • | • | • | • | • | • | • | • | • | • | • | • | | | |
| 0542 | CLIP | 60079845 | | • | • | • | • | • | • | • | • | • | • | • | • | • | • | • | • | | | |
| 0543 | TAPPING SCREW CBLX D: 4.2-9.5 | 61010125 | | • | • | • | • | • | • | • | • | • | • | • | • | • | • | • | • | | | |
| 0547 | GAS FILTER | 60037309 | | • | • | • | • | • | • | • | • | • | • | • | • | • | • | • | • | | | |
| 0548 | SHEET GASKET D: 24-18.2-1.5 | 60022835-01 | | • | • | • | • | • | • | • | • | • | • | • | • | • | • | • | • | | | |
| 0550 | BEND RETURN | 61010055 | | • | • | • | • | • | • | • | • | • | • | • | • | • | • | • | • | | | |
| 0551 | GAS TUBE | 61010040 | | • | • | • | • | • | • | • | • | • | • | • | • | • | • | • | • | | | |
| 0553 | WATER FILTER | 61007727 | | | | | | | • | • | • | • | • | • | • | • | • | • | • | | | |
| 0558 | PUMP LEAD (2 SPEEDS) | 61004115 | | • | • | • | • | • | • | • | • | • | • | • | • | • | • | • | • | | | |
| 0559 | O-RING D: 45-3.5 | 61009833-46 | | • | • | • | • | • | • | • | • | • | • | • | • | • | • | • | • | | | |
| 0560 | AIR SEPARATOR HEAD ASSEMBLY | 61002653 | | • | • | • | • | • | • | • | • | • | • | • | • | • | • | • | • | | | |
| 0561 | RIGHT HAND HYDRAULIC BLOCK | 61010167 | | • | • | • | • | • | • | • | • | • | • | • | • | • | • | • | • | | | |
| 0564 | O-RING D: 24.6-3.6 | 61009834-30 | | • | • | • | • | • | • | • | • | • | • | • | • | • | • | • | • | | | |
| 0565 | HEATING FILTER | 61305560 | | • | • | • | • | • | • | • | • | • | • | • | • | • | • | • | • | | | |
| 0567 | CLIP | 60030898-03 | | • | • | • | • | • | • | • | • | • | • | • | • | • | • | • | • | | | |
| 0569 | EXCHANGER GASKET | 65104334 | | • | • | • | • | • | • | • | • | • | • | • | • | • | • | • | • | | | |
| 0570 | HEATING RETURN TUBE | 61010043 | | • | • | • | • | • | • | • | • | • | • | • | • | • | • | • | • | | | |
| 0571 | O-RING D: 16-1.9 | 61009833-37 | | • | • | • | • | • | • | • | • | • | • | • | • | • | • | • | • | | | |
| 0572 | PUMP UP 15/50 230V | 61010612 | | • | • | • | • | • | • | • | • | • | • | • | • | • | • | • | • | | | |
| 0573 | CAPACITOR | 61000652-10 | | • | • | • | • | • | • | • | • | • | • | • | • | • | • | • | • | | | |
| 0574 | PLUG M 10-100 | 60015709 | | • | • | • | • | • | • | • | • | • | • | • | • | • | • | • | • | | | |
| 0575 | CONNECTION | 61010752 | | | • | • | • | | | | | • | • | • | | | | | | | | |
| 0576 | NON-RETURN VALVE | 61003169 | | | • | • | • | | | | | • | • | • | | | | | | | | |
| 0577 | WASHER D: 18.4-12.2-1.5 | 60061855-14 | | • | • | • | • | | | | | • | • | • | | | | | | | | |
| 0578 | O-RING D: 5.7-1.9 | 60024164-10 | | • | • | • | | | | | | • | • | • | | | | | | | | |



| ☉⇒ | Description | Manf. Pt. N | Type | <div style="display: flex; justify-content: space-between; font-size: 8px; text-align: center;"> NECTRA 1.14 CF NECTRA 3.14 CF NECTRA 3.14 VMG NECTRA 3.18 CF NECTRA 1.23 CF NECTRA 2.23 FF NECTRA 2.23 CF NECTRA 2.23 VMG NECTRA 3.23 FF NECTRA 3.23 CF NECTRA 3.23 VMG NECTRA 2.28 CF NECTRA 2.28 FF </div> | | | | | | | | | | | | | | | | | | 31 |
|------|--------------------------------|-------------|---------|--|---|---|---|---|---|---|---|---|----|----|----|----|----|----|----|----|----|----|
| | | | | 1 | 2 | 3 | 4 | 5 | 6 | 7 | 8 | 9 | 10 | 11 | 12 | 13 | 14 | 15 | 16 | 17 | 18 | |
| 0600 | ELECTRICAL BOX | | | | | | | | | | | | | | | | | | | | | |
| 0601 | ELECTRICAL BOX | 61010798 | | | • | • | • | | | | | • | • | • | | | | | | | | |
| | ELECTRICAL BOX | 61010900 | AP | | | | | | | • | • | • | | | | | | | | | | |
| | ELECTRICAL BOX | 61010597 | NAT-B/P | • | | | | • | • | • | • | • | | | | • | • | | | | | |
| 0602 | SCREW FX90 L:16 | 61020510 | | • | • | • | • | • | • | • | • | • | • | • | • | • | • | • | • | | | |
| 0604 | INSTRUCTIONS HOLDER | 61010330 | | | | | | | | • | • | • | | | | • | • | | | | | |
| | INSTRUCTIONS HOLDER | 61010560 | | | • | • | • | | | | | • | • | • | | | | | | | | |
| 0605 | CONNECTOR | 61010349 | | • | | | | • | • | • | • | • | | | | • | • | | | | | |
| 0606 | CONNECTOR | 61011046 | | | • | • | • | | | | | • | • | • | | | | | | | | |
| 0607 | IGNITER | 61002105-20 | | • | • | • | • | • | • | • | • | • | • | • | • | • | • | • | • | | | |
| 0608 | IGNITOR CABLE | 61010151 | | • | • | • | • | • | • | • | • | • | • | • | • | • | • | • | • | | | |
| 0609 | CONNECTOR COVER | 61010014 | | • | • | • | • | • | • | • | • | • | • | • | • | • | • | • | • | | | |
| 0610 | FAN CABLE | 61010332 | | | | | | • | | | | • | | | • | | | • | | | | |
| 0611 | WIRE ASSEMBLY | 61010447 | | • | • | | • | • | | | | • | | | | | | | | | | |
| | WIRE ASSEMBLY | 61011108 | | | | • | | | | | | • | | | | | | | | | | |
| | WIRE ASSEMBLY | 61010884 | AP | | | | | | | • | | | | | | | | | | | | |
| | WIRE ASSEMBLY | 61010915 | AP | | | | | | | | • | | | | | | | | | | | |
| | WIRE ASSEMBLY | 61016315 | AP | | | | | | | | • | | | | | | | | | | | |
| | WIRE ASSEMBLY | 61010049 | NAT-B/P | | | | | | | • | | | | | | • | | | | | | |
| | WIRE ASSEMBLY | 61010331 | NAT-B/P | | | | | | | | • | | | | | | • | | | | | |
| | WIRE ASSEMBLY | 61010362 | NAT-B/P | | | | | | | | • | | | | | | | | | | | |
| 0612 | CONNECTION STRIP | 61010152 | | • | • | • | • | • | • | • | • | • | • | • | • | • | • | • | • | | | |
| 0613 | TAPPING SCREW TCBL D:4 L:10 | 61020509 | | • | • | • | • | • | • | • | • | • | • | • | • | • | • | • | • | | | |
| 0614 | ELECTRICAL BOX COVER | 61010007 | | • | • | • | • | • | • | • | • | • | • | • | • | • | • | • | • | | | |
| 0615 | PRINTED CIRCUIT BOARD OF POWER | 61018121-01 | AP | | | | | | | • | • | • | • | • | • | • | • | • | • | | | |
| | PRINTED CIRCUIT BOARD OF POWER | 61010592 | NAT-B/P | • | • | • | • | • | • | • | • | • | • | • | • | • | • | • | • | | | |
| 0616 | PRINTED CIRCUIT BOARD OF REGU. | 61010047 | | • | • | • | • | • | • | • | • | • | • | • | • | • | • | • | • | | | |
| 0617 | ELECTRIC BOX PLATE | 61010006 | | • | • | • | • | • | • | • | • | • | • | • | • | • | • | • | • | | | |
| 0618 | PLUG | 61011316 | | • | • | • | • | • | • | • | • | • | • | • | • | • | • | • | • | | | |
| 0619 | PROTECTIVE PLATE | 61010239 | | • | • | • | • | • | • | • | • | • | • | • | • | • | • | • | • | | | |
| 0621 | TRANSMITTER OF LEDS - TEMPERA. | 61010010 | | • | • | • | • | • | • | • | • | • | • | • | • | • | • | • | • | | | |
| 0622 | IGNITION PUSH ROD | 61010072 | | • | • | • | • | • | • | • | • | • | • | • | • | • | • | • | • | | | |
| 0623 | TRANSMITTER OF LEDS - ON/OFF | 61010011 | | • | • | • | • | • | • | • | • | • | • | • | • | • | • | • | • | | | |
| 0625 | PRINTED CIRCUIT BOARD | 61010916 | | | • | • | • | | | | | • | • | • | | | | | | | | |
| 0626 | PRINTED CIRCUIT BOARD LEAD | 61014837 | | | • | • | • | | | | | • | • | • | | | | | | | | |
| 0627 | FUSE 250V 2A - TEMPORIZED | 61003456 | | • | • | • | • | • | • | • | • | • | • | • | • | • | • | • | • | | | |
| 0629 | FUSE 250V 1.25A - TEMPORIZED | 61003635 | | • | • | • | • | • | • | • | • | • | • | • | • | • | • | • | • | | | |
| 0630 | EARTH WIRE | 61011585 | | • | • | • | • | • | • | • | • | • | • | • | • | • | • | • | • | | | |

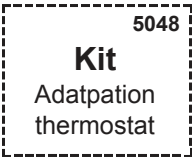
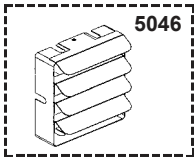
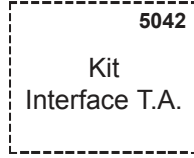
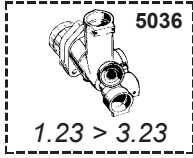
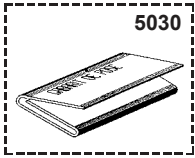
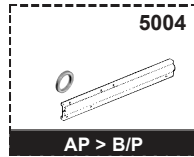
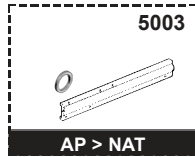
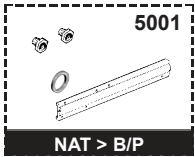


| ☉⇒ | Description | Manf. Pt. N | Type | <div style="display: flex; justify-content: space-between; font-size: small;"> NECTRA 1.14 CFNECTRA 3.14 CFNECTRA 3.14 VMCNECTRA 3.18 CFNECTRA 1.23 CFNECTRA 2.23 FFNECTRA 2.23 CFNECTRA 2.23 VMCNECTRA 3.23 CFNECTRA 3.23 VMCNECTRA 2.28 CFNECTRA 2.28 FF </div> | | | | | | | | | | | | | | | | | | 31 |
|-------------|--------------------------------|-------------|------|---|---|---|---|---|---|---|---|---|----|----|----|----|----|-------|-------|----|----|----|
| | | | | 1 | 2 | 3 | 4 | 5 | 6 | 7 | 8 | 9 | 10 | 11 | 12 | 13 | 14 | 15 | 16 | 17 | 18 | |
| 0700 | CHASSIS | | | | | | | | | | | | | | | | | | | | | |
| 0701 | TOP STAY PLATE | 61010029 | | • | • | • | • | • | • | • | • | • | • | • | • | | | | | | | |
| 0703 | EXPANSION VESSEL | 60056676-06 | | • | • | • | • | • | • | • | • | • | • | • | • | | | | | | | |
| 0705 | EXPANSION VESSEL AIR HOSE | 61010170 | | • | • | • | • | • | • | • | • | • | • | • | • | | | | | | | |
| 0706 | TAPPING SCREW CBLX D: 6.3-19 | 61014516 | | • | • | • | • | • | • | • | • | • | • | • | • | | | | | | | |
| 0707 | COMPRESSION OLIVE D: 6 | 60022865 | | • | • | • | • | • | • | • | • | • | • | • | • | | | | | | | |
| 0708 | CONNECTING NUT | 60031269 | | • | • | • | • | • | • | • | • | • | • | • | • | | | | | | | |
| 0709 | FLEXIBLE PIPE KIT | 60081723 | | • | • | • | • | • | • | • | • | • | • | • | • | | | | 12/97 | | | |
| | FLEXIBLE PIPE KIT | 60081824 | | • | • | • | • | • | • | • | • | • | • | • | • | | | 01/98 | | | | |
| 0710 | CLIP | 61002406 | | • | • | • | • | • | • | • | • | • | • | • | • | | | | | | | |
| 0711 | O RING D: 5.7-1.9 | 61009834-10 | | • | • | • | • | • | • | • | • | • | • | • | • | | | | | | | |
| 0712 | SHEET GASKET D: 12-6-2 | 61308868 | | • | • | • | • | • | • | • | • | • | • | • | • | | | | | | | |
| 0713 | CLIP | 61010005 | | • | • | • | • | • | • | • | • | • | • | • | • | | | | | | | |
| 0714 | O-RING D: 8.9-2.7 | 61009834-14 | | • | • | • | • | • | • | • | • | • | • | • | • | | | | | | | |
| 0800 | FRONT CASE | | | | | | | | | | | | | | | | | | | | | |
| 0801 | TAPPING SCREW CBLX D: 4.2-9.5 | 61010125 | | • | • | • | • | • | • | • | • | • | • | • | • | | | | | | | |
| 0802 | CASE | 61010016 | | • | • | • | • | • | • | • | • | • | • | • | • | | | | | | | |
| 0804 | SUPPORT BRACKET | 61010095 | | • | • | • | • | • | • | • | • | • | • | • | • | | | | | | | |
| 0805 | PRESSURE GAUGE | 61010048 | | • | • | • | • | • | • | • | • | • | • | • | • | | | | | | | |
| 0807 | SERIGRAPHED STRIP (FOR PROG.) | 61018703 | | | • | • | • | | • | • | • | • | • | • | • | | | | | | | |
| | SERIGRA. STRIP (WITHOUT PROG.) | 61018705 | | | • | • | • | | • | • | • | • | • | • | • | | | | | | | |
| | SERIGRA. STRIP (WITHOUT PROG.) | 61018707 | | • | | | | • | • | | | | | | | | | | | | | |
| 0811 | BLACK KNOB | 61010009 | | • | • | • | • | • | • | • | • | • | • | • | • | | | | | | | |
| 0812 | CENTRING PIECE | 61010241 | | • | • | • | • | • | • | • | • | • | • | • | • | | | | | | | |
| 0813 | SPACER | 61010053 | | • | • | • | • | • | • | • | • | • | • | • | • | | | | 01/98 | | | |
| | SPACER | 61015797 | | • | • | • | • | • | • | • | • | • | • | • | • | | | 02/98 | | | | |
| 0814 | HOLE PLATE | 61010421 | | • | • | • | • | • | • | | • | • | • | • | • | | | | | | | |
| 0815 | SCREW FX90 D: 3.5-16 | 61010133 | | • | • | • | • | • | • | • | • | • | • | • | • | | | | | | | |

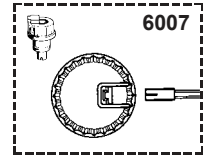
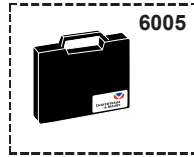
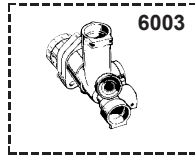
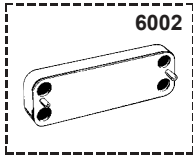
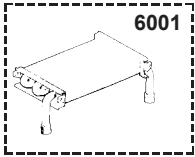


| ☉⇒ | Description | Manf. Pt. N | Type | <div style="display: flex; justify-content: space-between; font-size: 8px;"> NECTRA 1.14.CFNECTRA 3.14.CFNECTRA 3.14.VMCNECTRA 3.18.CFNECTRA 1.23.CFNECTRA 2.23.PFNECTRA 2.23.CFNECTRA 2.23.VMCNECTRA 3.23.PFNECTRA 3.23.CFNECTRA 3.23.VMCNECTRA 2.28.CFNECTRA 2.28.PF </div> | | | | | | | | | | | | | | | | | | 31 |
|------|--------------------------------------|-------------|---------|--|---|---|---|---|---|---|---|---|----|----|----|----|----|----|----|----|----|----|
| | | | | 1 | 2 | 3 | 4 | 5 | 6 | 7 | 8 | 9 | 10 | 11 | 12 | 13 | 14 | 15 | 16 | 17 | 18 | |
| 0900 | JIG PLATE & PIPE FITTING | | | | | | | | | | | | | | | | | | | | | |
| 0902 | WATER FLOW SERVICE TAP | 61020388 | | • | • | • | • | • | • | • | • | • | • | • | • | | | | | | | |
| 0903 | HOT WATER CONNECTION | 61020916 | | | | | | | | • | • | • | | • | • | | | | | | | |
| 0904 | GAS CONNECTION | 61020917 | AP | | | | | | | • | • | • | | • | • | | | | | | | |
| | GAS SERVICE TAP | 61020389 | NAT-B/P | • | • | • | • | • | • | • | • | • | • | • | • | • | • | • | • | | | |
| 0905 | COLD WATER TAP | 61302612 | | | | | | | | • | • | • | | • | • | | | | | | | |
| 0906 | WATER RETURN SERVICE TAP | 61302614 | | • | • | • | • | • | • | • | • | • | • | • | • | • | • | • | • | | | |
| 0907 | WALL HOOK | 61002497 | | • | • | • | • | • | • | • | • | • | • | • | • | • | • | • | • | | | |
| 0908 | WASHER D: 14.2-7.2-1.2 | 60005369-03 | | • | • | • | • | • | • | • | • | • | • | • | • | • | • | • | • | | | |
| 0909 | WOOD SCREW | 60025617-03 | | • | • | • | • | • | • | • | • | • | • | • | • | • | • | • | • | | | |
| 0911 | DISCONNECTOR TUBE | 61010065 | | | | | | | | • | • | • | | • | • | | | | | | | |
| 0912 | O-RING D: 6-1 | 60024164-41 | | | | | | | | • | • | • | | • | • | | | | | | | |
| 0913 | SHEET GASKET D: 14.8-10.3-1.5 | 60061854-11 | | | | | | | | • | • | • | | • | • | | | | | | | |
| 0914 | NUT 3/8» THICK: 11 | 60020746-20 | | | | | | | | • | • | • | | • | • | | | | | | | |
| 0915 | CONNECTING PIPE | 60001574 | | | | | | | | • | • | • | | • | • | | | | | | | |
| 0916 | TUBE PVC D: 9x12 L: 1M | 60081266 | | | | | | | | • | • | • | | • | • | | | | | | | |
| 0917 | SHEET GASKET D: 24-17-1.5 | 60061855-19 | | • | • | • | • | • | • | • | • | • | • | • | • | • | • | • | • | | | |
| 0918 | LOCK NUT | 60031140 | | • | • | • | • | • | • | • | • | • | • | • | • | • | • | • | • | | | |
| 0919 | FLOW REGULATORE 7L/MIN(DARK GREEN) | 61002775-07 | | | | | | | | • | • | • | | • | • | | | | | | | |
| | FLOW REGULATORE 8L/MIN (WHITE) | 61002775-08 | | | | | | | | • | • | • | | • | • | | | | | | | |
| | FLOW REGULATORE 10L/MIN (BLUE) | 61002775-10 | | | | | | | | • | • | • | | • | • | | | | | | | |
| | FLOW REGULATORE 12L/MIN (RED) | 61002775-12 | | | | | | | | • | • | • | | • | • | | | | | | | |
| | FLOW REGULATORE 14L/MIN (PINK) | 61002775-14 | | | | | | | | • | • | • | | • | • | | | | | | | |
| | FLOW REGULATORE 15L/MIN (PALE GREEN) | 61002775-15 | | | | | | | | • | • | • | | • | • | | | | | | | |
| 0920 | CONTRODADO H 1/2 | 60031139 | | | | | | | | • | • | • | | • | • | | | | | | | |
| 0921 | SHEET GASKET D: 24-18.2-1.5 | 60022835-01 | | • | • | • | • | • | • | • | • | • | • | • | • | • | • | • | • | | | |
| 0922 | HAND LEVER BLACK | 61302611 | | • | • | • | • | • | • | • | • | • | • | • | • | • | • | • | • | | | |
| 0923 | HAND LEVER YELLOW | 61302610 | | • | • | • | • | • | • | • | • | • | • | • | • | • | • | • | • | | | |
| 0925 | DRAIN SCREW ASSY | 60081028 | | • | • | • | • | • | • | • | • | • | • | • | • | • | • | • | • | | | |
| 0927 | PRESSURE TEST POINT SCREW | 60019445 | | • | • | • | • | • | • | • | • | • | • | • | • | • | • | • | • | | | |
| | PRESSURE TEST POINT SCREW | 61016378 | | • | • | • | • | • | • | • | • | • | • | • | • | • | • | • | • | | | |
| 0928 | DISCONNECTOR KIT | 60081664 | | | | | | | | • | • | • | | • | • | | | | | | | |
| 0929 | NUT H M 10-1 | 60031825-08 | | | | | | | | • | • | • | | • | • | | | | | | | |
| 0930 | SHEET GASKET D: 8.5-4.1-1.5 | 60061852-12 | | | | | | | | • | • | • | | • | • | | | | | | | |
| 0931 | GRUB SCREW | 60017908 | | • | • | • | • | • | • | • | • | • | • | • | • | • | • | • | • | | | |
| | GRUB SCREW | 61304327 | | • | • | • | • | • | • | • | • | • | • | • | • | • | • | • | • | | | |
| 0936 | O-RING D: 13.6-2.7 | 61009834-18 | | • | • | • | • | • | • | • | • | • | • | • | • | • | • | • | • | | | |
| 0937 | TUBE PVC D: 13x17 L: 1M | 60081266-02 | | • | • | • | • | • | • | • | • | • | • | • | • | • | • | • | • | | | |
| 0938 | PRESSURE RELIEF VALVE | 61020933 | | • | • | • | • | • | • | • | • | • | • | • | • | • | • | • | • | | | |
| 0939 | WASHER D: 18.4-12.2-1.5 | 60061855-14 | | • | • | • | • | • | • | • | • | • | • | • | • | • | • | • | • | | | |
| 0940 | NUT 1/2» THICK: 10 | 60020747-68 | | • | • | • | • | • | • | • | • | • | • | • | • | • | • | • | • | | | |
| 0941 | VALVE CONNECTING PIPE | 60047727 | | • | • | • | • | • | • | • | • | • | • | • | • | • | • | • | • | | | |
| 0942 | DISCONNECTOR TUBE | 61010064 | | | | | | | | • | • | • | | • | • | | | | | | | |
| | FILLER NECK | 61020885 | | | | | | | | • | • | • | | • | • | | | | | | | |
| 0943 | ACCESSORY KIT | 61010324 | | | | | | | | • | • | • | | • | • | | | | | | | |
| 0946 | NON-RETURN VALVE | 61014425 | | | • | • | • | | | | | • | • | • | • | • | • | • | • | | | |
| 0948 | GREY KNOB | 61302613 | | • | • | • | • | • | • | • | • | • | • | • | • | • | • | • | • | | | |
| 0950 | TAP HEAD | 61314798 | | • | • | • | • | • | • | • | • | • | • | • | • | • | • | • | • | | | |

5000



6000



| Description | Manf. Pt. N | Type | <div style="display: flex; justify-content: space-between; font-size: 8px; text-align: center;"> NECTRA 1.14 CF NECTRA 3.14 CF NECTRA 3.14 VMC NECTRA 3.18 CF NECTRA 1.23 CF NECTRA 1.23 FF NECTRA 2.23 CF NECTRA 2.23 VMC NECTRA 3.23 CF NECTRA 3.23 VMC NECTRA 2.28 CF NECTRA 2.28 FF </div> | | | | | | | | | | | | | | | | | |
|-------------------------------------|-------------|------|--|---|---|---|---|---|---|---|---|----|----|----|----|----|----|----|----|----|
| | | | 1 | 2 | 3 | 4 | 5 | 6 | 7 | 8 | 9 | 10 | 11 | 12 | 13 | 14 | 15 | 16 | 17 | 18 |
| 5000 ACCESSORIES | | | | | | | | | | | | | | | | | | | | |
| 5001 CONVERSION KIT NAT > LPG | 61010179 | | | | | | | • | | • | • | | • | • | | | | | | |
| CONVERSION KIT NAT > LPG | 61010370 | | | | | | | | • | | | • | | | | | | | | |
| CONVERSION KIT NAT > LPG | 61011199 | | | | | | | | | | | | | • | | | | | | |
| CONVERSION KIT NAT > LPG | 61011313 | | | | | | | | | | | | | | | | • | | | |
| CONVERSION KIT NAT > LPG | 61012598 | | • | • | | | | | | | | | | | | | | | | |
| CONVERSION KIT NAT > LPG | 61015659 | | | | | • | | | | | | | | | | | | | | |
| 5002 CONVERSION KIT BUT/PROP > NAT | 61010180 | | | | | | • | | • | • | | • | • | | | | | | | |
| CONVERSION KIT BUT/PROP > NAT | 61010371 | | | | | | | • | | | • | | | • | | | | | | |
| CONVERSION KIT BUT/PROP > NAT | 61011200 | | | | | | | | | | | | | | • | | | | | |
| CONVERSION KIT LPG > NAT | 61011314 | | | | | | | | | | | | | | | | • | | | |
| CONVERSION KIT BUT/PROP > NAT | 61011719 | | | | | | • | | | | | | | | | | | | | |
| CONVERSION KIT BUT/PROP > NAT | 61012599 | | • | • | | | | | | | | | | | | | | | | |
| 5003 CONVERSION KIT TG > NAT | 61011145 | | | | | | | | • | • | | | | | | | | | | |
| CONVERSION KIT TG > NAT | 61018162 | | | | | | | | | | • | | | | | | | | | |
| 5004 CONVERSION KIT TG > LPG | 61011146 | | | | | | | | | • | • | | | | | | | | | |
| 5030 JIG PLATE | 61010073 | | • | • | • | • | • | • | • | • | • | • | • | • | • | • | • | • | | |
| 5036 CONV. KIT 1.23 CF > 3.23 CF | 61011130 | | | | | | | • | | | | | | | | | | | | |
| CONV. KIT 1.23 FF > 3.23 FF | 61011137 | | | | | | | | • | | | | | | | | | | | |
| 5041 ANTIFREEZE KIT | 61011278 | | • | • | • | • | • | | • | • | | • | • | | • | | | | | |
| ANTIFREEZE KIT | 61011279 | | | | | | | • | | | • | | | • | | | • | | | |
| 5042 INTERFACE SYSTEM - ROOM THERMO | 61012505 | | • | | | | • | • | • | • | • | | | • | • | | | | | |
| 5043 KIT NECTRA 2.23 CF > 2.18 CF | 61011714 | | | | | | | | | • | | | | | | | | | | |
| KIT NECTRA 2.23 VMC > 2.18 VMC | 61012376 | | | | | | | | | | • | | | | | | | | | |
| 5046 DEFLECTOR 30DEG KIT | 61014810 | | | | | | | | • | | • | | • | | • | | | | | |
| 5048 THERMOSTAT ADAPTATION KIT | 61015000 | | • | • | • | • | • | • | • | • | • | • | • | • | • | • | • | • | | |
| 6000 MAINTENANCE | | | | | | | | | | | | | | | | | | | | |
| 6001 DESCALING INTERFACE/HEAT EXCHA | 61014100 | | • | • | • | • | • | • | • | • | • | • | • | • | • | • | • | • | | |
| 6002 DESCALING INTERFACE/WATER EXCH | 61011075 | | | | | | | | | • | • | • | • | • | • | • | • | • | | |
| 6003 SIMULATING BOX 3 WAY VALVE | 61012597 | | | • | • | • | | | | • | • | • | • | • | • | • | • | • | | |
| 6005 TEST SUITCASE-SECURITY SYSTEM | 60081881 | | • | • | • | • | • | • | • | • | • | • | • | • | • | • | • | • | | |
| TEST SUITCASE FOR P.C.B. | 60081882 | | • | • | • | • | • | • | • | • | • | • | • | • | • | • | • | • | | |
| 6006 SPANNER | 61302650 | | • | • | | | | • | • | • | • | | | | | | | | | |
| 6007 STOPPED W/THROT. CONNECTOR KIT | 61306970 | | • | • | | | | • | • | • | • | | | | | | | | | |

LIST OF THE ABBREVIATIONS

| | |
|-------------|--|
| HW | : Hot water. |
| CW | : Cold water. |
| C | : Ceramic resistance (normal heating). |
| Ca | : Ceramic resistance (accelerated heating) |
| TP | : Immersion heater. |
| 1F | : With fittings. |
| 2F | : Without fittings. |
| 3F | : With fittings and another outlet connection. |
| AMI | : With mixing valve. |
| SMI | : Without mixing valve. |
| PUISS | : Power of th appliance. |
| PN | : Appliance with normal pression. |
| LP | : Appliance with low pression. |
| PV | : Appliance with variable power. |
| PF | : Appliance with fixed power. |

IDENTIFICATION PLATE

SERIAL NUMBER

| | | | |
|-----------------------------|---------------------------|-----------------------------------|--|
| 10 Characters : | 04 05 125 011 | | |
| | | Sequential number | |
| | | Manufacturing day | |
| | | Year of manufacture | |
| 11 Characters : | 1 95 065004 - 31 | | |
| Month of manufacture : | | Technical number of the appliance | |
| from 1 to 9 → Jan. to Sep., | | Sequential number | |
| O → Oct., N → Nov., | | Year of manufacture | |
| D → Dec. | | | |
| 19 Characters : | 08 05 0013199 900640031 | | |
| Year of manufacture | | Product reference | |
| Month of manufacture | | Sequential number | |
| 20 Characters : | 3675007 XX 2 07 070 00315 | | |
| Product reference | | Sequential number | |
| Millenium of manufacture | | Manufacturing day | |
| | | Year of manufacture | |
| 21 Characters : | 3675007 XX 07 070 0000315 | | |
| Product reference | | Sequential number | |
| Year of manufacture | | Manufacturing day | |

The indications mentioned on the prices, commercial or technical literature and the scheme are written for your guidance and are available at a given time. The CONSTRUCTOR retains the power to modify the presentation, the form, the size, the conception or the material of the products.