

SPARE PARTS EXPLODED VIEW  
GAS-WALL CONDENSING BOILERS

Model

**MIRA C GREEN ULTRA**

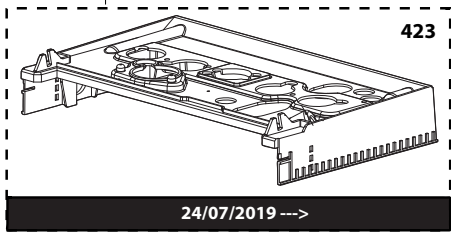
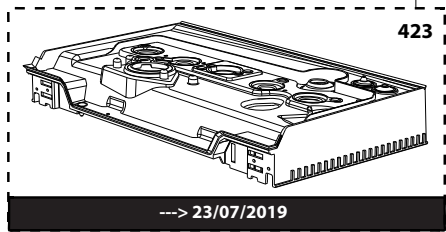
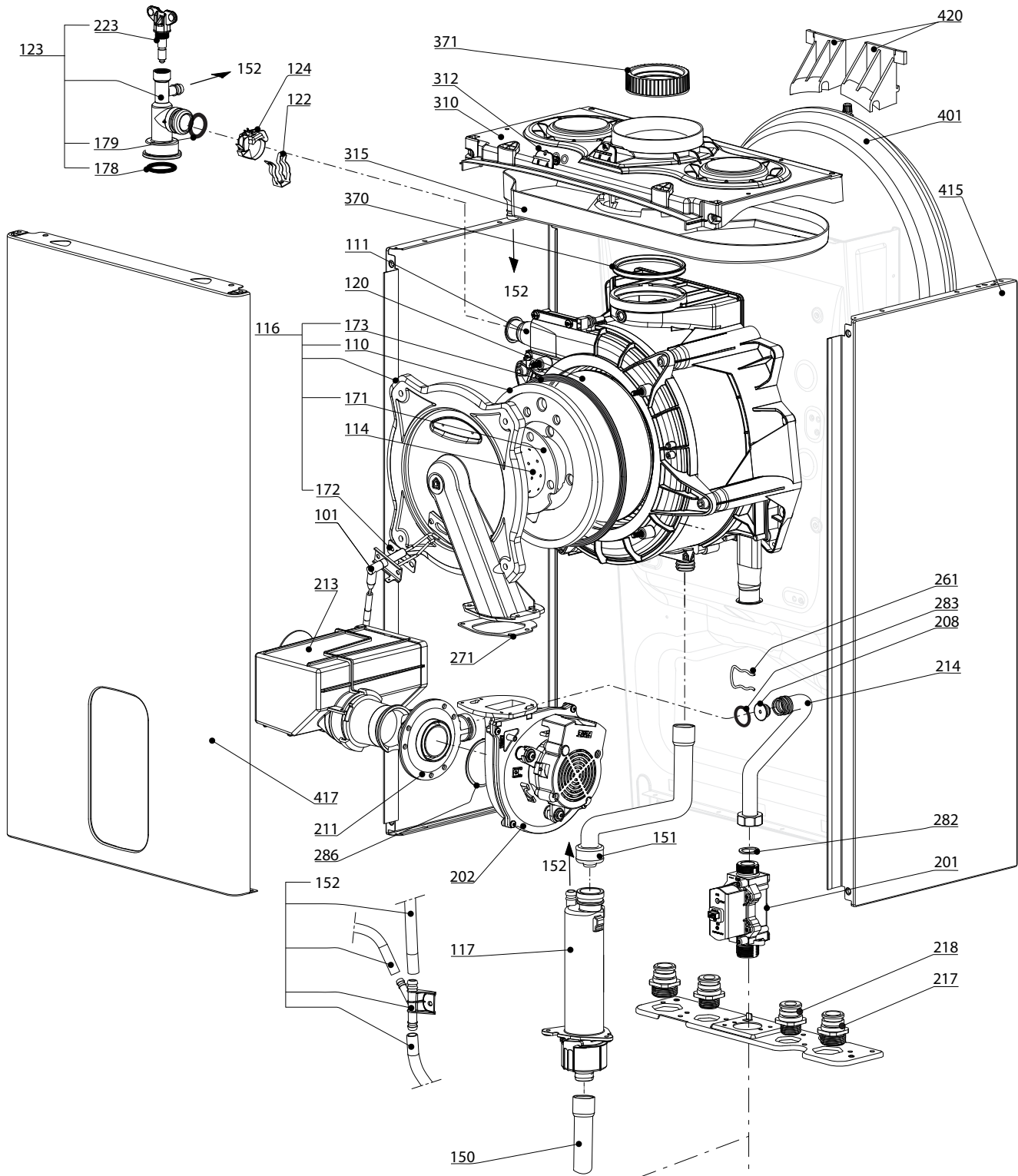
R8203487-09 - 22/03/2021

<b>1</b>	3310543	MIRA C GREEN ULTRA 25 FR	07-2017	-
<b>2</b>	3310544	MIRA C GREEN ULTRA 30 FR	07-2017	-
<b>3</b>	3310545	MIRA C GREEN ULTRA 35 FR	07-2017	-
Col	Reference	Model type	Begin	End

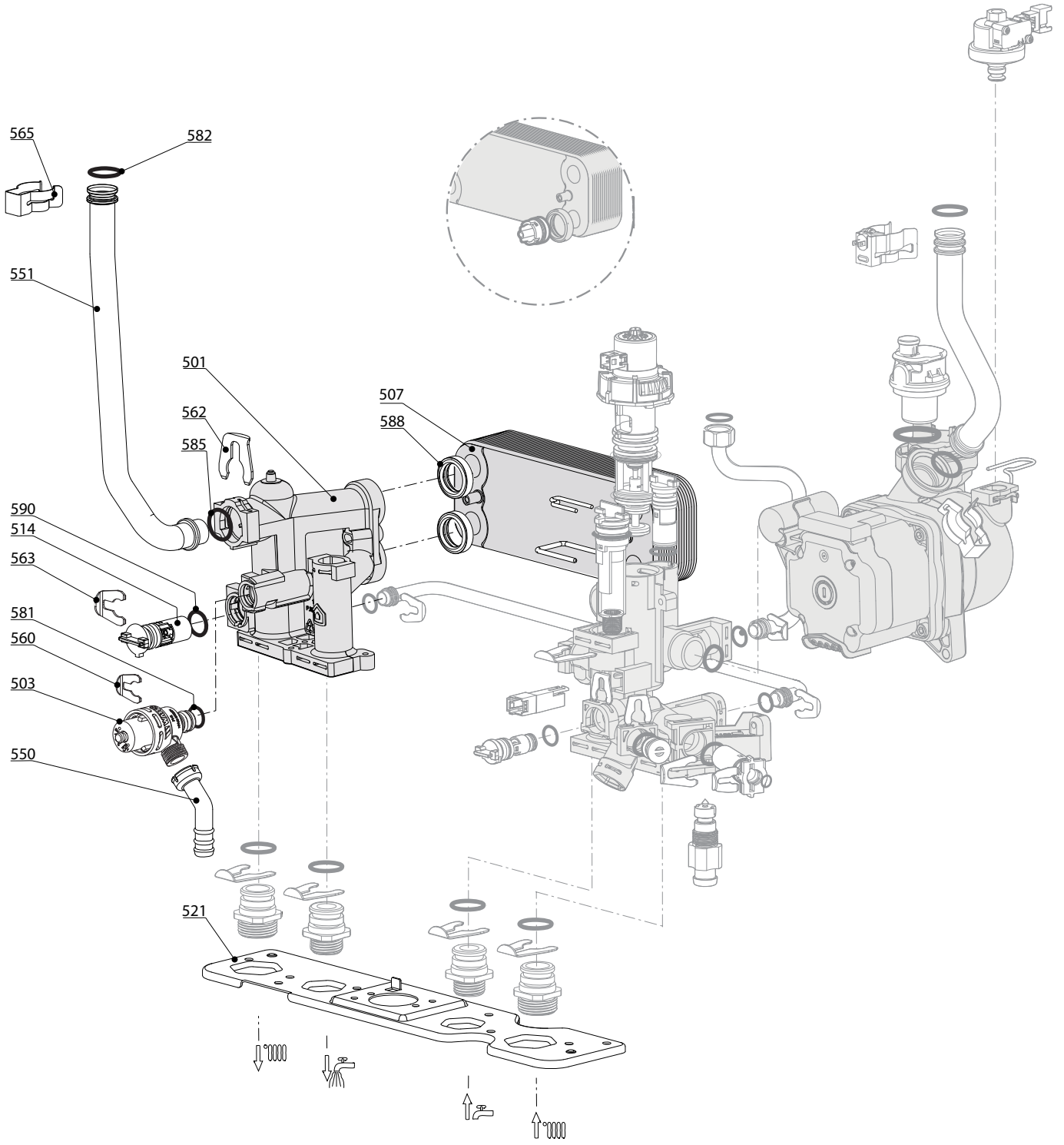
100  
200  
300  
400

MIRA C GREEN ULTRA

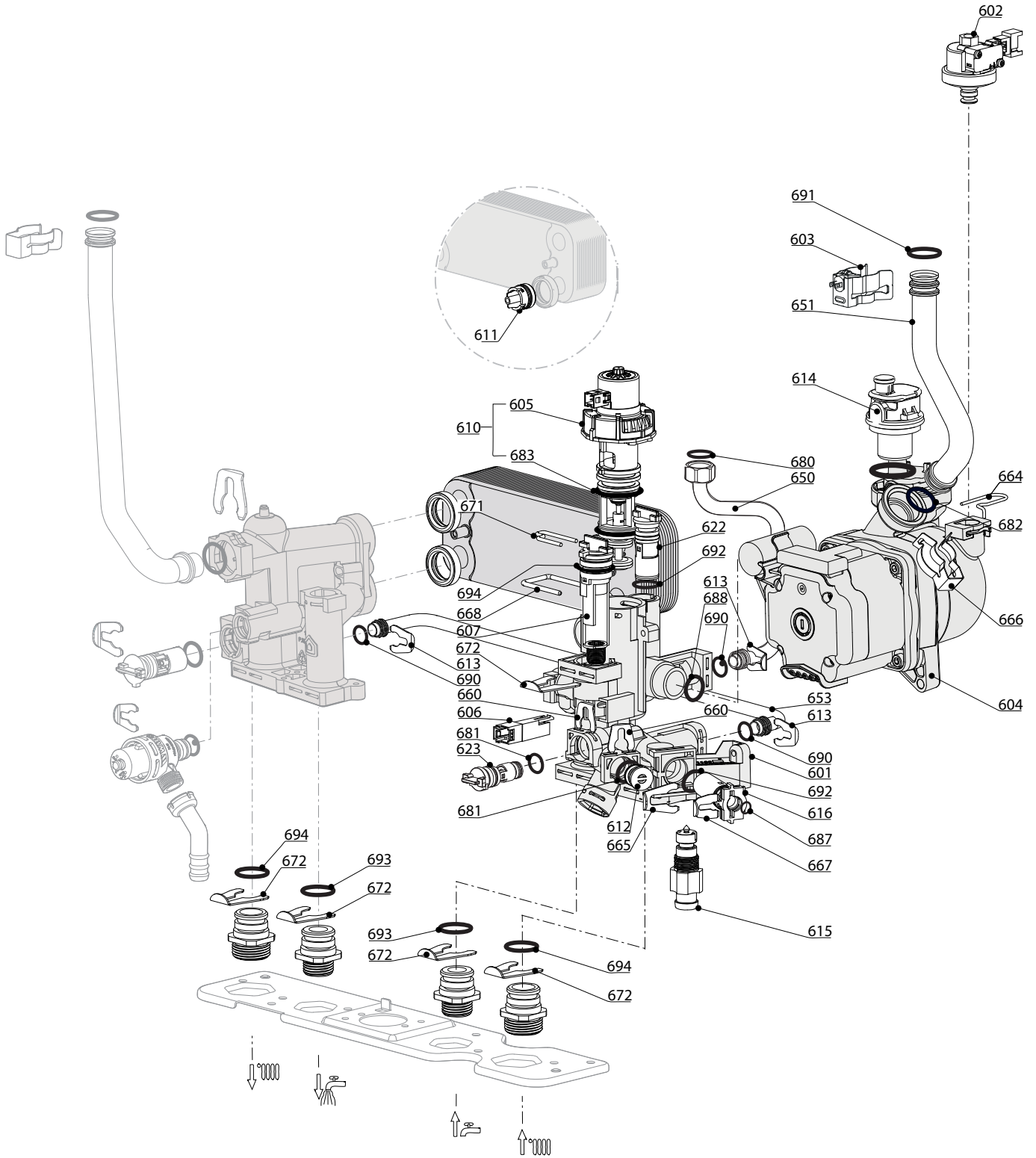
Gas-wall condensing boilers



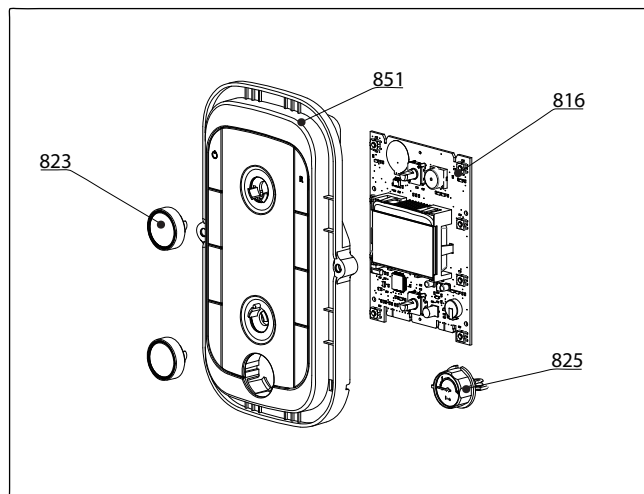
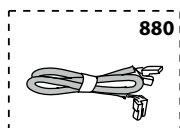
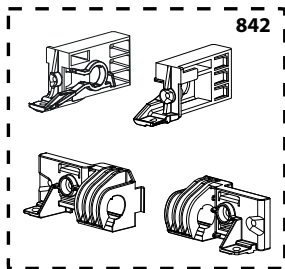
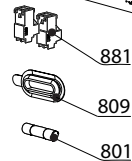
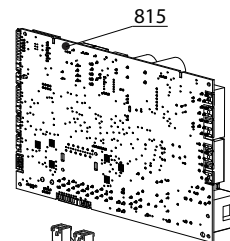
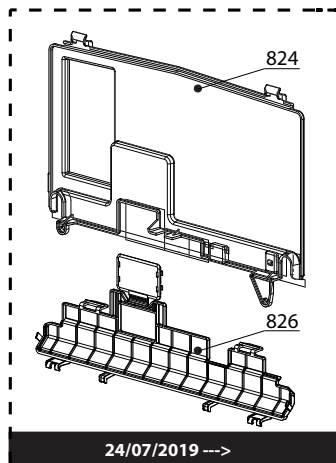
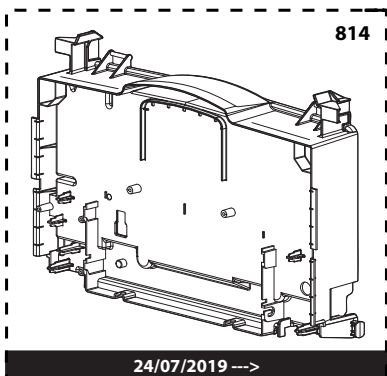
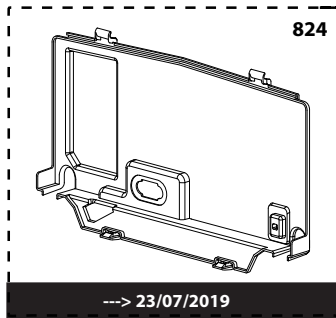
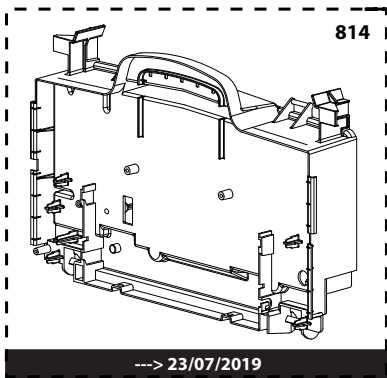




☉→	Description	Manf. Pt. N	Type	<div style="display: flex; justify-content: space-between; align-items: center;"> <div style="writing-mode: vertical-rl; transform: rotate(180deg); font-size: small;"> MIRA C.GR. ULTRA 25  MIRA C.GR. ULTRA 30  MIRA C.GR. ULTRA 35 </div> <div style="border: 1px solid black; padding: 2px; font-size: x-small;"> 31 </div> </div>																		From	to
				1	2	3	4	5	6	7	8	9	10	11	12	13	14	15	16	17	18		
0500	<b>FLOW GROUP</b>																						
0501	FLOW GROUP	65115933		●	●	●															06/18		
	FLOW GROUP	65117952		●	●	●														07/18			
0503	PRESSURE RELIEF VALVE (3 BAR)	61312668		●	●	●																	
0507	SANITARY HEAT EXCHANGER (12 P.)	65116314		●	●																		
	SANITARY HEAT EXCHANGER (16 P.)	65116537				●																	
0514	BY-PASS	65114917		●	●	●																	
0521	HYDRAULIC GROUP SUPPORT	65119440		●	●	●																	
0550	PIPE (SAFETY VALVE OUTLET)	60001955		●	●	●																	
0551	PIPE (C.H. FLOW) 24KW	65116539		●																			
	PIPE (C.H. FLOW) 30KW	65120089			●																		
	PIPE (CH OUTLET)	65116578				●																	
0560	CLIP D:10	65114933		●	●	●																	
0562	CLIP D18	65104259		●	●	●																	
0563	CLIP D:12	65114932		●	●	●																	
0565	CLIP	60000309		●	●	●																	
0581	O-RING 17.96X2.62	65104337		●	●	●																	
0582	O-RING 17.86X2.62	61308091		●	●	●																	
0585	O-RING 17.04X3.53	65104262		●	●	●																	
0588	EXCHANGER GASKET	65114928		●	●	●																	
0590	O-RING 11.91X2.62	65114940		●	●	●																	







5000

- 5004**
- Gas conv. G130
  - Transf. gaz G130
  - Trasf. gas G130
  - Transf. gas G130
  - Flussiggas Umstellset G130
  - Ombouwset G130

- 5020**
- Accessories
  - Options
  - Opzioni
  - Accessorio
  - Zubehör
  - Opties





## LIST OF THE ABBREVIATIONS

HW .....	: Hot water.
CW .....	: Cold water.
C .....	: Ceramic resistance (normal heating).
Ca .....	: Ceramic resistance (accelerated heating)
TP .....	: Immersion heater.
1F .....	: With fittings.
2F .....	: Without fittings.
3F .....	: With fittings and another outlet connection.
AMI .....	: With mixing valve.
SMI .....	: Without mixing valve.
PUISS .....	: Power of th appliance.
PN .....	: Appliance with normal pression.
LP .....	: Appliance with low pression.
PV .....	: Appliance with variable power.
PF .....	: Appliance with fixed power.

## IDENTIFICATION PLATE

### SERIAL NUMBER

10 Characters :

04 05 125 011  
 Year of manufacture    Manufacturing day    Sequential number

11 Characters :

1 95 065004 - 31  
 Month of manufacture : from 1 to 9 → Jan. to Sep.,  
 O → Oct., N → Nov.,  
 D → Dec.    Technical number of the appliance  
 Sequential number  
 Year of manufacture

19 Characters :

08 05 0013199 900640031  
 Year of manufacture    Month of manufacture    Product reference  
 Sequential number

20 Characters :

3675007 XX 2 07 070 00315  
 Product reference    Millenium of manufacture    Sequential number  
 Manufacturing day    Year of manufacture

21 Characters :

3675007 XX 07 070 0000315  
 Product reference    Year of manufacture    Sequential number  
 Manufacturing day