

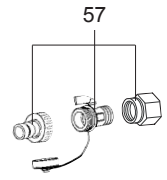
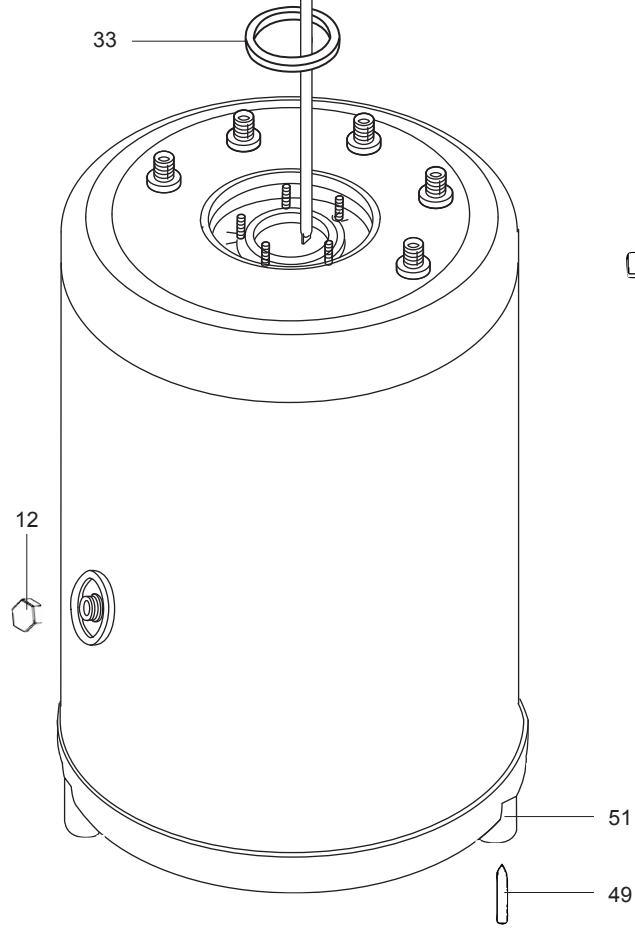
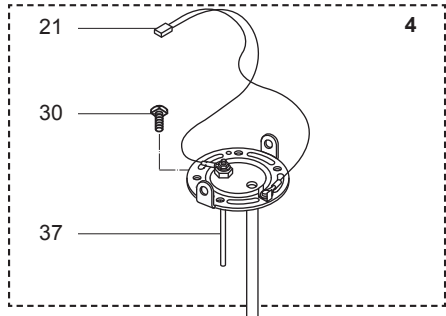
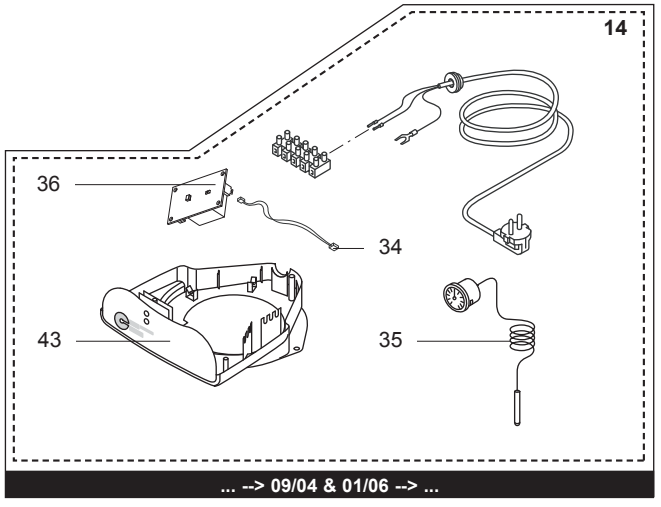
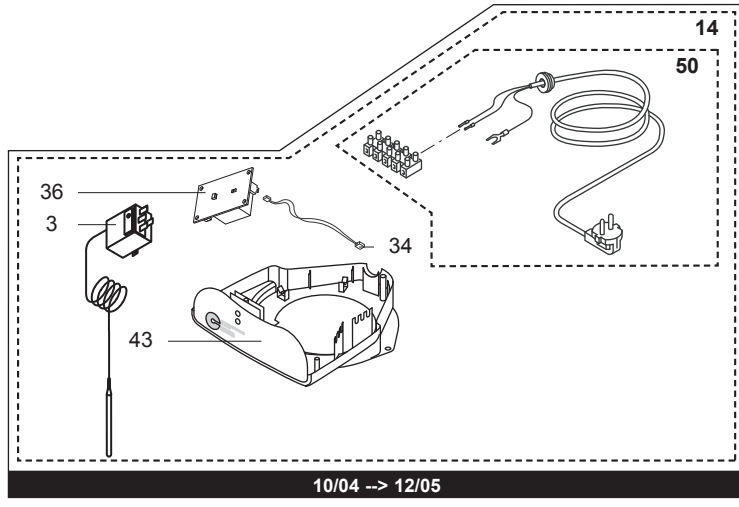
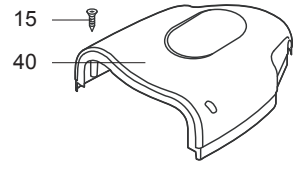
## SPARE PARTS EXPLODED VIEW BOILERS

Model

### **DUO 120 - 150 PROTECH**

R8202666-07 - 04/04/2012

1	892 871	C&M - DUO S 120 PROTECH	03/03	01/07
1	500052130990	DUO 120 CM BACD R PROTECH	10/05	...
1	307 0104	CHX - DUO S 120 PROTECH	10/08	...
2	892 872	C&M - DUO S 150 PROTECH	03/03	04/07
2	500052156990	DUO 150 CM BACD R PROTECH	10/05	...
2	307 0105	CHX - DUO S 150 PROTECH	11/08	...
Col	Reference	Model type	Begin	End



☉	Description	Manf. Pt. N	Type	120 L / 150 L																		31	
				1	2	3	4	5	6	7	8	9	10	11	12	13	14	15	16	17	18		
0003	THERMOSTAT	921058		•	•															10/04	12/05		
0004	MATING FLANGE D.120	61314195		•	•															09/04			
	COMPLETE FLANGE WITH ANODE	992167		•	•																08/04		
0012	PLUG	61013305		•	•															09/04			
0014	ELECTRICAL BOX	60000505		•	•															01/06			
	ELECTRICAL BOX	925353		•	•															10/04	12/05		
	ELECTRICAL BOX	925355		•	•															09/04	09/04		
	ELECTRICAL BOX	925354		•	•																08/04		
0021	CABLE (ANODE-PROTECH)	340409		•	•																08/04		
	CABLE (ELECTRODE) > P.C.B.	60001108		•	•															02/08			
	CABLE	61312173		•	•															09/04	01/08		
0030	SELF TAPPING SCREW M 8-16	61315253		•	•															09/04			
	SCREW (M8X25)	918001		•	•																08/04		
0033	FLANGE GASKET D:121.3-105-7.1	60071829		•	•															09/04			
	FLANGE GASKET 6 STUD	924002		•	•																08/04		
0034	CABLE (ELECTRODE) > P.C.B.	60000475		•	•															02/08			
0035	BULB THERMOMETER	260102		•	•																08/04		
0036	P.C.B. (ANODE - PROTECH)	925348-01		•	•																		
0037	ANODE (PROTECH)	340406		•	•																		
0040	BOX COVER	926299		•	•																		
0043	BASE - BOX	60000711		•	•																		
0044	CABLE PACK	65102744		•	•																		
0049	PIN	61005323		•	•															09/04			
0050	WIRING KIT	935344		•	•															10/04	12/05		
0051	FOOT	61005265		•	•															09/04			
	FOOT (100 MM)	926136		•	•																08/04		
<b>5000</b>	<b>ACCESSORIES</b>																						
5002	WALL FIXING BRACKET	912006		•	•																		

DUO 120 -150 PROTECH

Boilers

## LIST OF THE ABBREVIATIONS

HW .....	: Hot water.
CW .....	: Cold water.
C .....	: Ceramic resistance (normal heating).
Ca .....	: Ceramic resistance (accelerated heating)
TP .....	: Immersion heater.
1F .....	: With fittings.
2F .....	: Without fittings.
3F .....	: With fittings and another outlet connection.
AMI .....	: With mixing valve.
SMI .....	: Without mixing valve.
PUISS .....	: Power of th appliance.
PN .....	: Appliance with normal pression.
LP .....	: Appliance with low pression.
PV .....	: Appliance with variable power.
PF .....	: Appliance with fixed power.

## IDENTIFICATION PLATE

### SERIAL NUMBER

**9 Characters :** 07 91 00301 (from 01/77 to 12/92)

Month of manufacture \_\_\_\_\_ Sequential number  
Year of manufacture \_\_\_\_\_

**10 Characters :** 95 01 065004 (from 01/93 to 06/95)

Year of manufacture \_\_\_\_\_ Sequential number  
Month of manufacture \_\_\_\_\_

**OU**

**10 Characters :** 01 95 065004 (from 07/95)

Month of manufacture \_\_\_\_\_ Sequential number  
Year of manufacture \_\_\_\_\_

**12 Characters :** 924 2 3 134 0115

Product reference \_\_\_\_\_ Sequential number  
Year of manufacture \_\_\_\_\_ Manufacturing day

**15 ou 16 Characters :** (0)03 070 0001 893077 (from 01/97 to 01/05)

Year of manufacture \_\_\_\_\_ Product reference  
Day of manufacture \_\_\_\_\_ Sequential number

**OU**

**16 Characters :** 05 070 0001 0000000 (from 02/05)

Year of manufacture \_\_\_\_\_ Product reference  
Day of manufacture \_\_\_\_\_ Sequential number

**17 Characters :** 07 070 00315 3070107

Year of manufacture \_\_\_\_\_ Product reference  
Sequential number  
Manufacturing day (70)

**21 Characters :** 3000115 XX 08115 0000001

Product reference \_\_\_\_\_ Sequential number  
Year (08) / Manufacturing day (115)

**22 Characters :** 3000115 XX 070416 0000001

Product reference \_\_\_\_\_ Sequential number  
Year (07) / Month (04) / Manufacturing day (16)

The indications mentioned on the prices, commercial or technical literature and the scheme are written for your guidance and are available at a given time. The CONSTRUCTOR retains the power to modify the presentation, the form, the size, the conception or the material of the products.