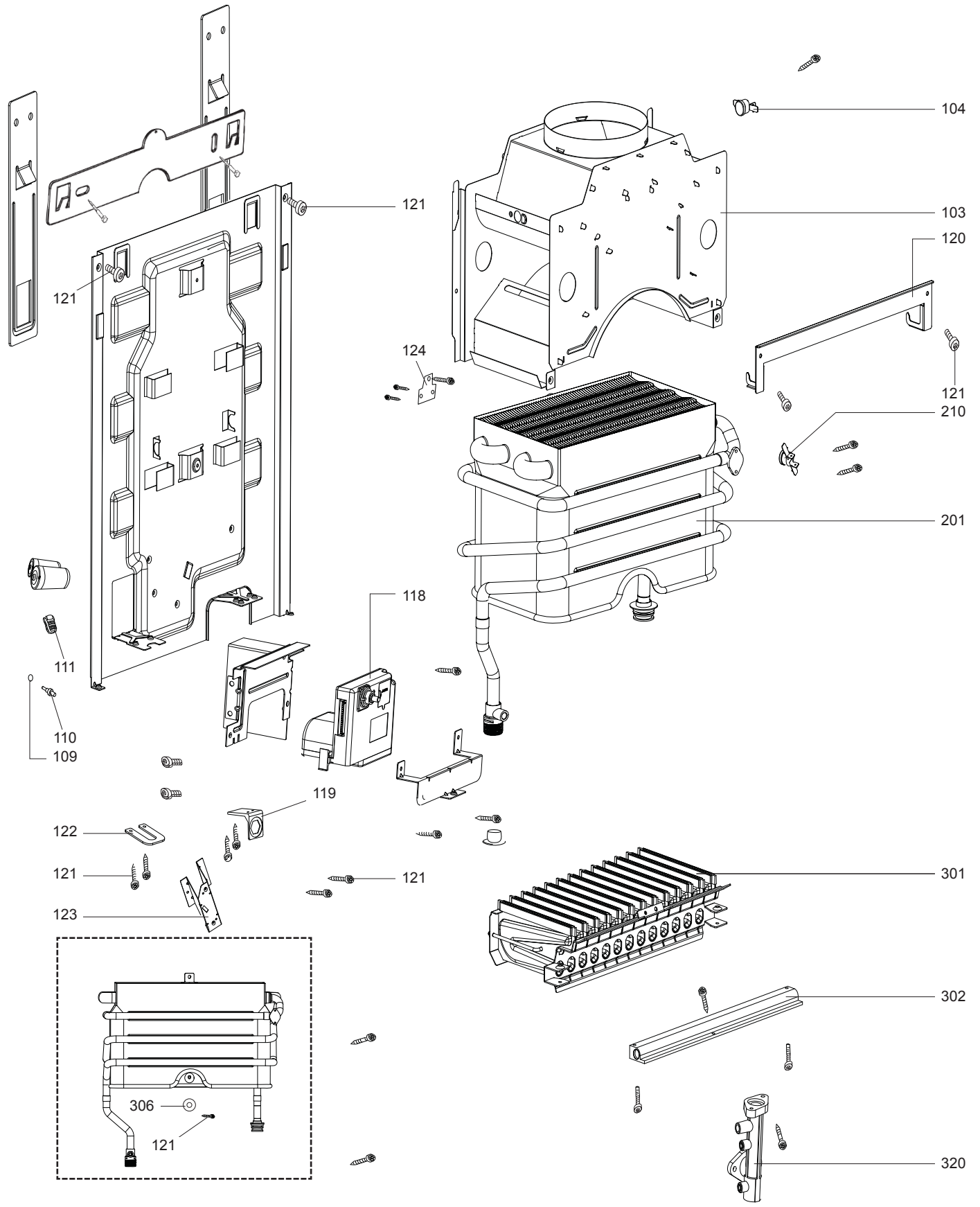


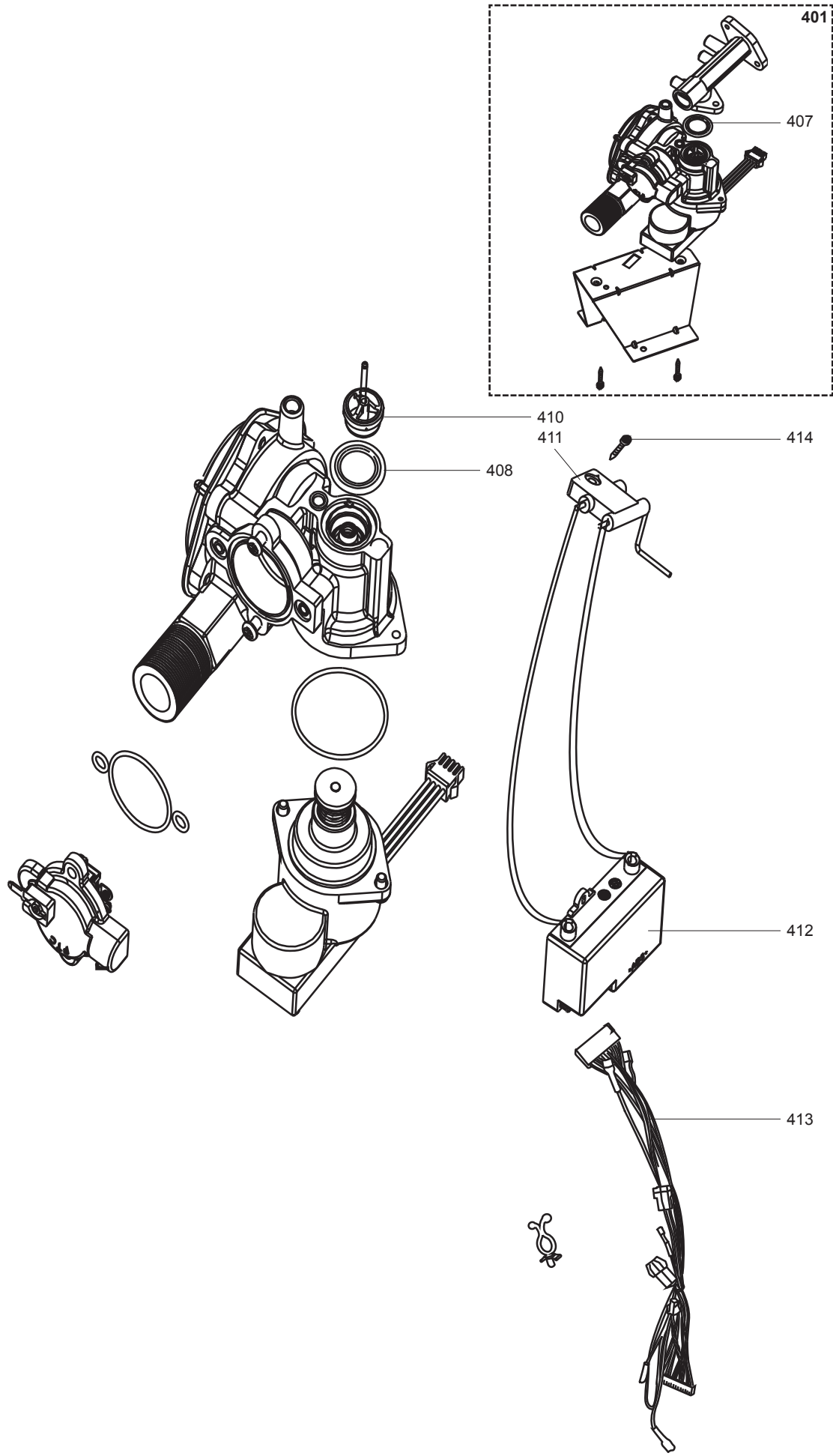
SPARE PARTS EXPLODED VIEW
INSTANTANEOUS GAS WATER HEATERS
Model
FLUENDO PLUS ONT C EU

R8217269-01 - 16/09/2015

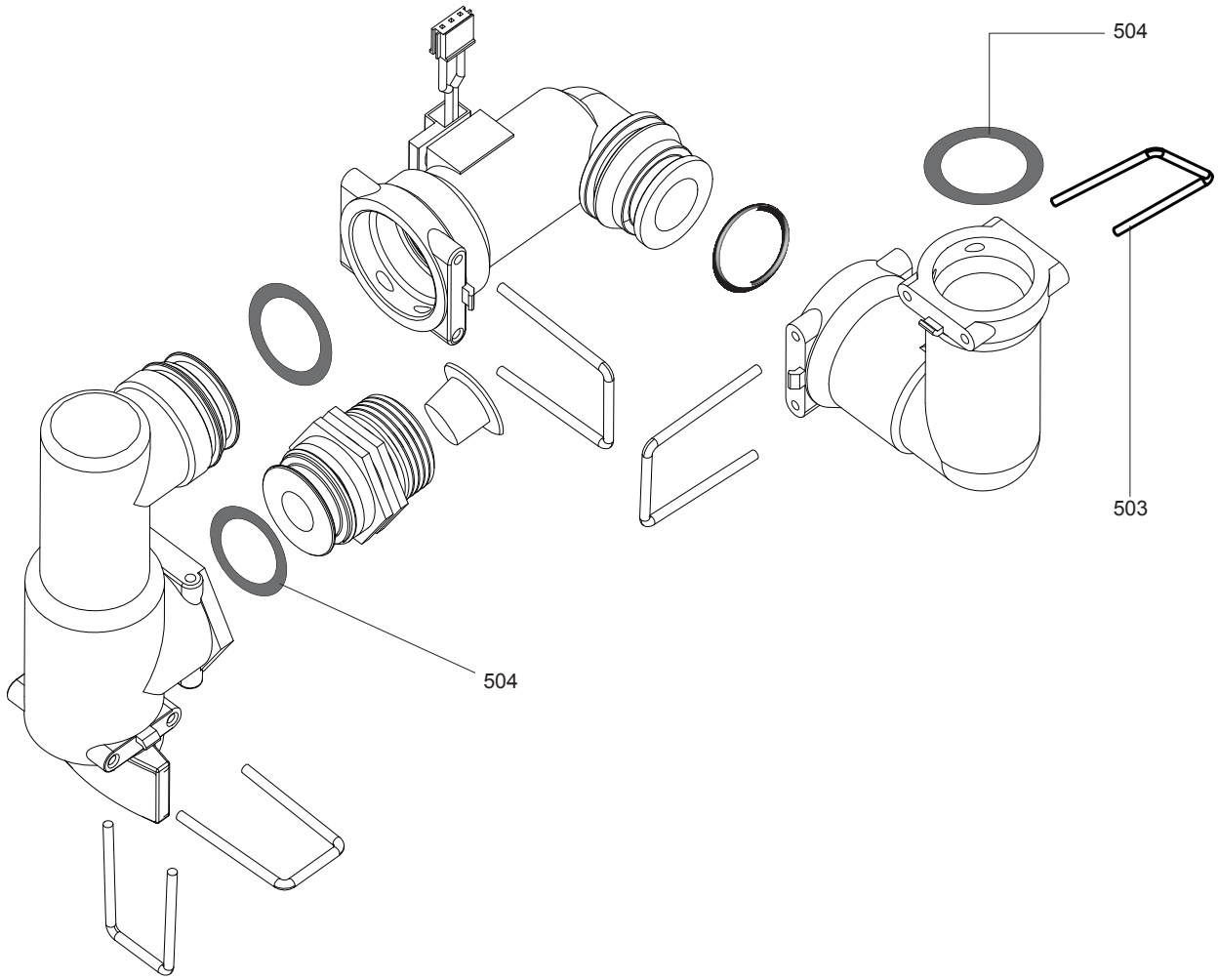
1	3632233	FLUENDO PLUS ONT C 11 NG EU	04-2015	-
2	3632232	FLUENDO PLUS ONT C 11 LPG EU	04-2015	-
3	3632237	FLUENDO PLUS ONT C 16 NG EU	04-2015	-
4	3632236	FLUENDO PLUS ONT C 16 LPG EU	04-2015	-
Col	Reference	Model type	Begin	End

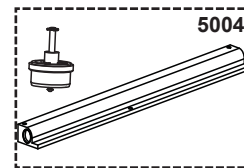
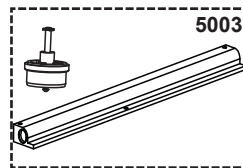
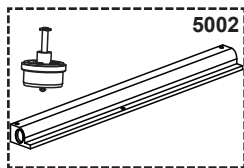
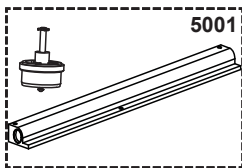
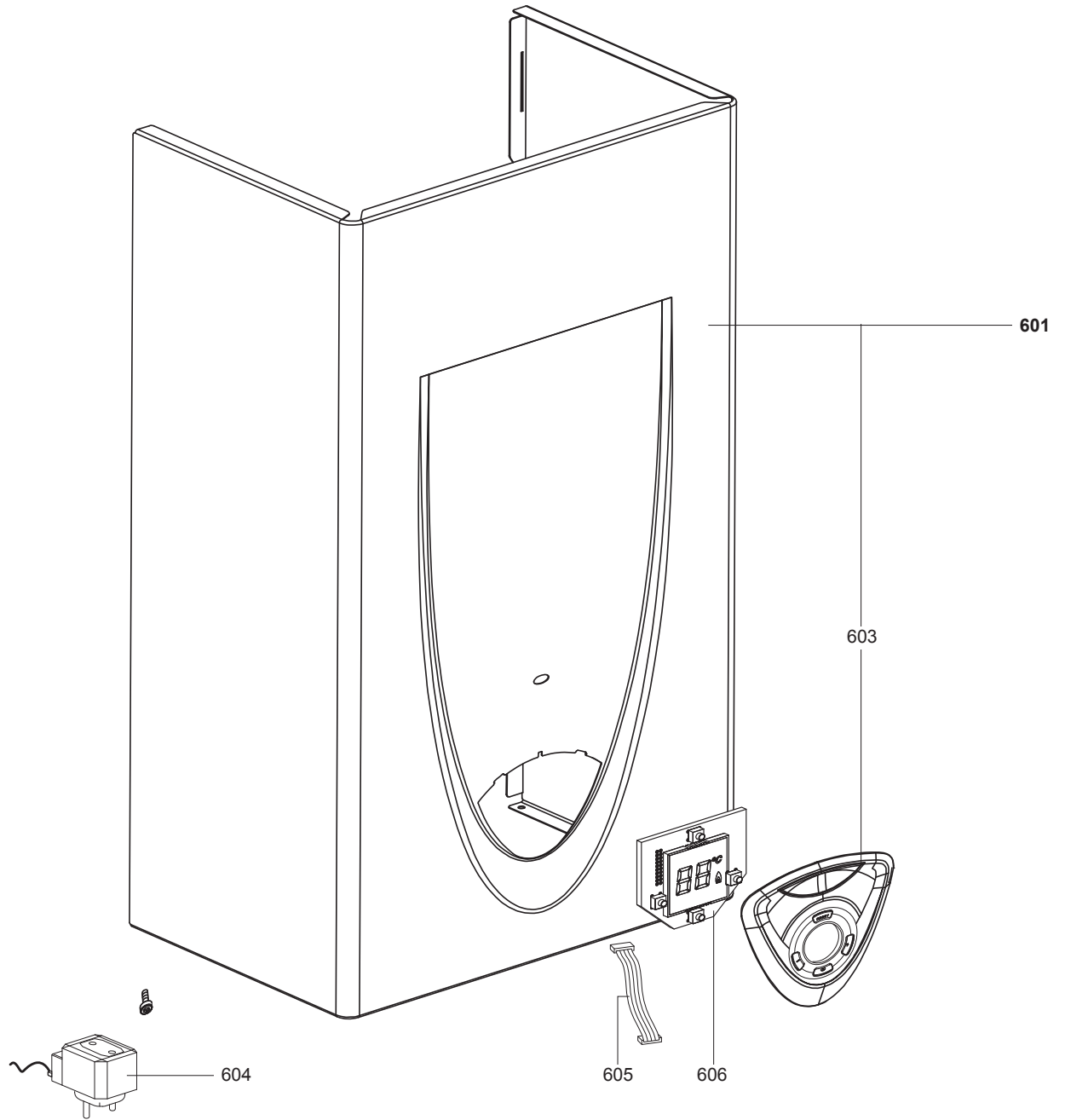


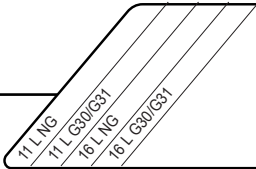
Description	Manf. Pt. N	Type	<table border="1"> <tr> <td>11 L NG</td> <td>14 L G30/G31</td> <td>16 L NG</td> <td>16 L G30/G31</td> <td colspan="14"></td> <td colspan="2"> <div style="border: 1px solid black; padding: 2px;">31</div> </td> </tr> <tr> <td>1</td><td>2</td><td>3</td><td>4</td><td>5</td><td>6</td><td>7</td><td>8</td><td>9</td><td>10</td><td>11</td><td>12</td><td>13</td><td>14</td><td>15</td><td>16</td><td>17</td><td>18</td> <td>From</td><td>to</td> </tr> </table>																		11 L NG	14 L G30/G31	16 L NG	16 L G30/G31															<div style="border: 1px solid black; padding: 2px;">31</div>		1	2	3	4	5	6	7	8	9	10	11	12	13	14	15	16	17	18	From	to
			11 L NG	14 L G30/G31	16 L NG	16 L G30/G31															<div style="border: 1px solid black; padding: 2px;">31</div>																																							
1	2	3	4	5	6	7	8	9	10	11	12	13	14	15	16	17	18	From	to																																									
0100 CHASSIS																																																												
0103 11L FLUE HOOD	65152046		•	•																																																								
16L FLUE HOOD	65152116				•	•																																																						
0104 OVERHEAT THERMOSTAT/140/130/FAST EVO	65152715		•	•																																																								
THERMOSTAT (SAFETY - 105°C)	65152115				•	•																																																						
0109 O-RING 3.75X1.8 (10 PCS)	65158146		•	•	•	•																																																						
0110 TEMPERATURE SENSOR	977227		•	•	•	•																																																						
0111 NUT (TEMPERATUR SENSOR)	65152079		•	•	•	•																																																						
0118 P.C.B. (MAIN)	65152195		•	•	•	•																																																						
0119 BRACKET (PIPE, INLET-11L)	65152080		•	•																																																								
BRACKET (PIPE, INLET-14L,16L)	65152152				•	•																																																						
0120 FIXING BRACKET (HOOD, 11L)	65152084		•	•																																																								
FIXING BRACKET (HOOD, 16L)	65152119				•	•																																																						
0121 TAPPING SCREW CBLX D: 4.2-9.5	61010125		•	•	•	•																																																						
0122 BRACKET (PIPE, OUTLET)	65152081		•	•	•	•																																																						
0123 GAS VALVE BRACKET	65152082		•	•																																																								
GAS VALVE BRACKET	65152120				•	•																																																						
0124 BRACKET (EXCHANGER)	65152083		•	•	•	•																																																						
0200 MIXING BATTERY																																																												
0201 HEAT EXCHANGER	65152048		•	•																																																								
HEAT EXCHANGER	65152118				•	•																																																						
0210 THERMOSTAT (OVERHEAT)	65152049		•	•	•	•																																																						
0300 BURNER ASSEMBLY																																																												
0301 MAIN BURNER	65152051		•	•																																																								
MAIN BURNER	65152111				•	•																																																						
0302 GAS MANIFOLD (11L-G20)	65152052		•																																																									
GAS MANIFOLD (11L-G30/G31)	65152108			•																																																								
GAS MANIFOLD (16L-G20)	65152112				•																																																							
GAS MANIFOLD (16L-G30/G31)	65152126					•																																																						
0306 WASHER	65152050		•	•	•	•																																																						
0320 GAS PIPE	65152053		•	•																																																								
GAS PIPE	65152113				•	•																																																						



																							
	Description	Manf. Pt. N	Type	1	2	3	4	5	6	7	8	9	10	11	12	13	14	15	16	17	18	From	to
0400	GAS SECTION																						
0401	GAS VALVE (LPG)	65152125			•		•																
	GAS VALVE NG	65152054		•			•																
0407	O-RING	65152055		•	•	•	•																
0408	GASKET (DIAPHRAGM)	65152541		•	•	•	•																
0410	11L G20 GAS DIAPHRAGM	65152056		•			•	•															
	11L GAS DIAPHRAGM (G30)	65152109					•																
0411	IGNITION ELECTRODE (double)	65152497		•	•																		
	IGNITION ELECTRODE (double)	65152551					•	•															
0412	IGNITOR	65152058		•	•	•	•																
0413	CABLE	65152198		•	•	•	•																
0414	TAPPING SCREW CBLX D: 4.2-9.5	61010125		•	•	•	•																





☉	Description	Manf. Pt. N	Type																			From	to
				1	2	3	4	5	6	7	8	9	10	11	12	13	14	15	16	17	18		
0600	FRONT CASE																						
0601	CASE PANEL (FRONT)	65152201		•	•																		
	CASE PANEL (FRONT)	65152202				•	•																
0603	BASIC PLASTIC PANEL (CM)	65152341		•	•	•	•																
0604	TRANSFORMER	65152197		•	•	•	•																
0605	DISPLAY CABLE	65152199		•	•	•	•																
0606	P.C.B. (DISPLAY)	65152194		•	•	•	•																
5000	ACCESSORIES																						
5001	GAS BURNER JET FULL KIT (11L-G30/G31)	65152073		•																			
	GAS BURNER JET FULL KIT (G30/G31-16L)	65152088				•																	
	GAS BURNER JET FULL KIT G20 16L	65152087					•																
5002	GAS BURNER JET FULL KIT G20 11L	65152076			•																		
5003	GAS BURNER JET FULL KIT (G25.1/G27-11L)	65152075		•																			
5004	GAS BURNER JET FULL KIT (G230-11L)	65152074		•																			

LIST OF THE ABBREVIATIONS

HW	: Hot water.
CW	: Cold water.
C	: Ceramic resistance (normal heating).
Ca	: Ceramic resistance (accelerated heating)
TP	: Immersion heater.
1F	: With fittings.
2F	: Without fittings.
3F	: With fittings and another outlet connection.
AMI	: With mixing valve.
SMI	: Without mixing valve.
PUISS	: Power of th appliance.
PN	: Appliance with normal pression.
LP	: Appliance with low pression.
PV	: Appliance with variable power.
PF	: Appliance with fixed power.

IDENTIFICATION PLATE

SERIAL NUMBER

6 Characters :
 Year of manufacture 03 09 08 Manufacturing day
 Month of manufacture

9 Characters :
 Year of manufacture M 12 10 0606 Sequential number
 Month of manufacture

14 Characters :
SI-V-0B0 45 07 0001
 Sequential number
 Year of manufacture : 6 → 2004
 Month of manufacture : → 25 → January 43 → July 7 → 2005
13 → February 29 → August 8 → 2006
32 → March 40 → September etc ...
35 → April 38 → October
39 → May 51 → November
45 → June 12 → December

15 Characters :
02 11 00001 007843
 Year of manufacture
 Month of manufacture Code appareil
 Sequential number

21 Characters :
3200050 XX 08115 0000001
 Product reference Sequential number
 Year (08) / Manufacturing day (115)

22 Characters :
3200050 XX 070115 0000001
 Product reference Sequential number
 Year (07) / Month (01) / Manufacturing day (15)