

SPARE PARTS EXPLODED VIEW GAS WALL BOILERS

Model

CALYDRA GREEN

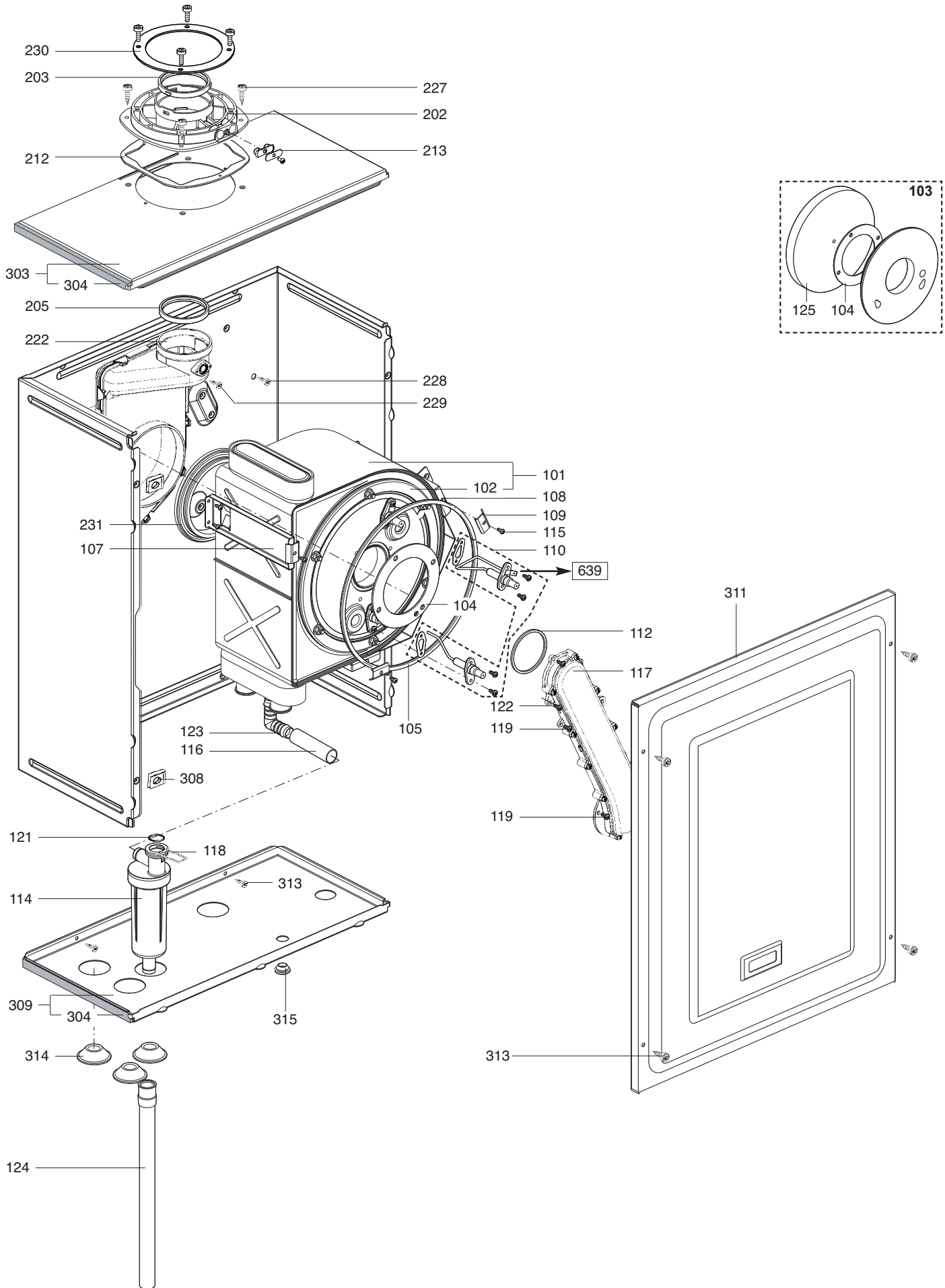
R8202648-07 - 21/03/2012

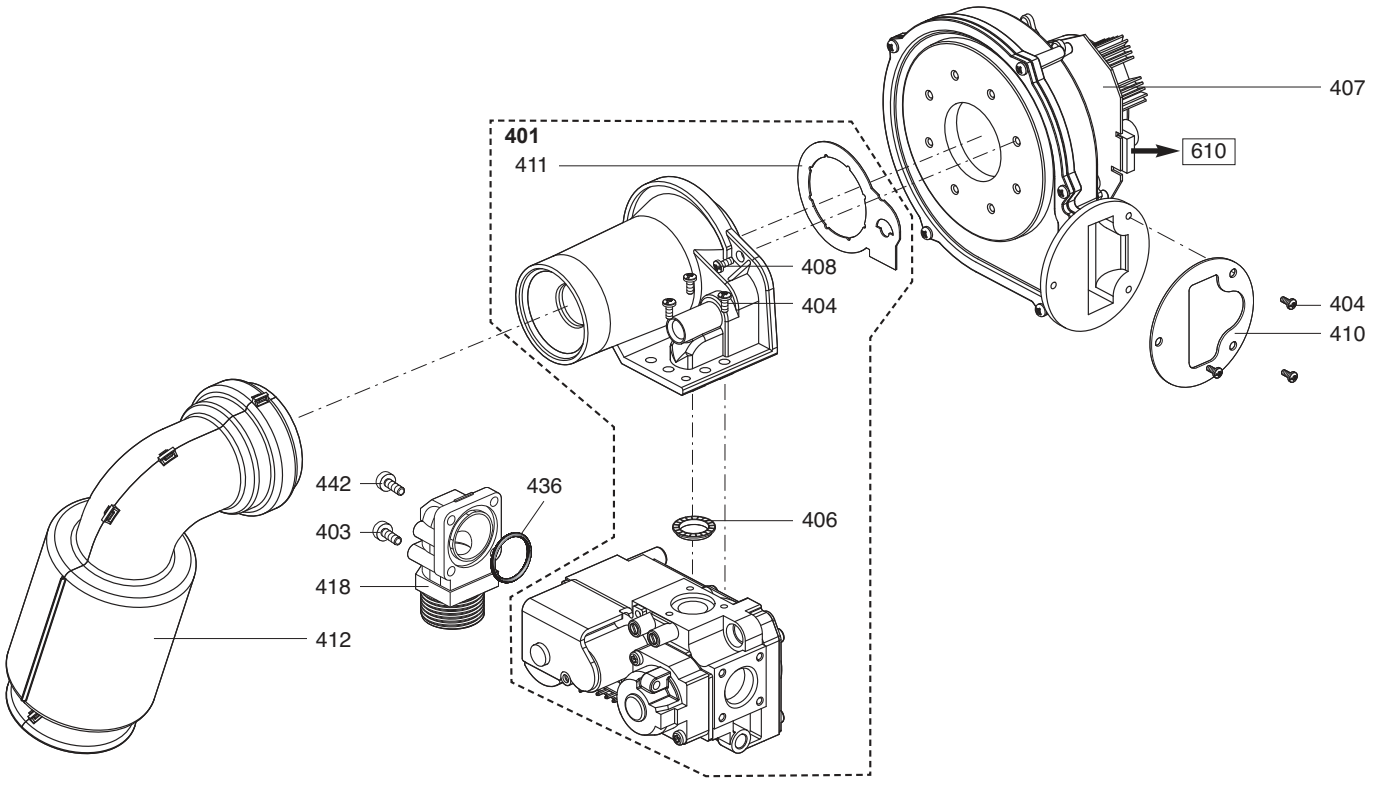
1	200 006 823 037	CALYDRA GREEN 24 NAT	01/03	12/07
2	200 006 826 037	CALYDRA GREEN 30 NAT	01/03	12/07
Col	Reference	Model type	Begin	End

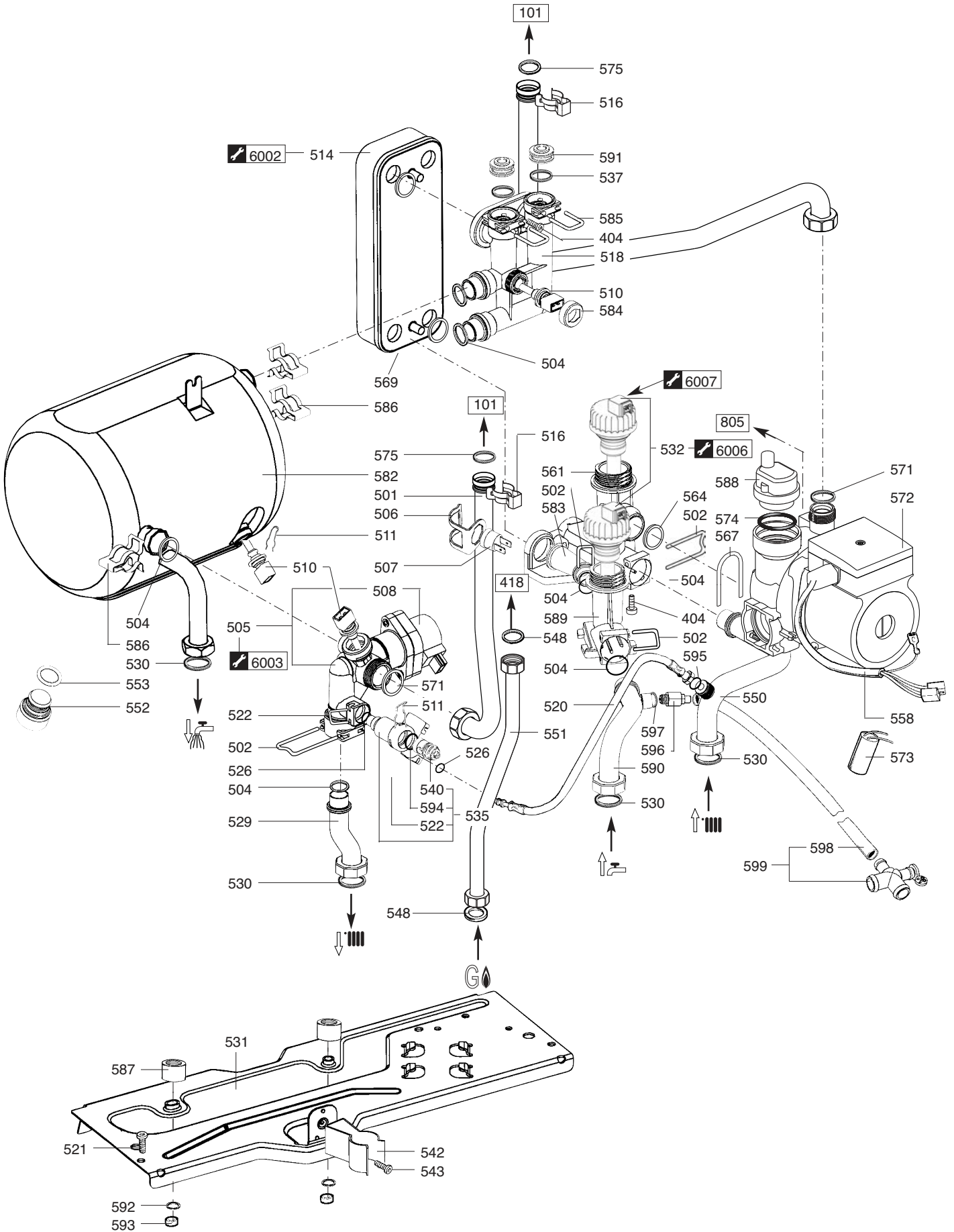
100
200
300

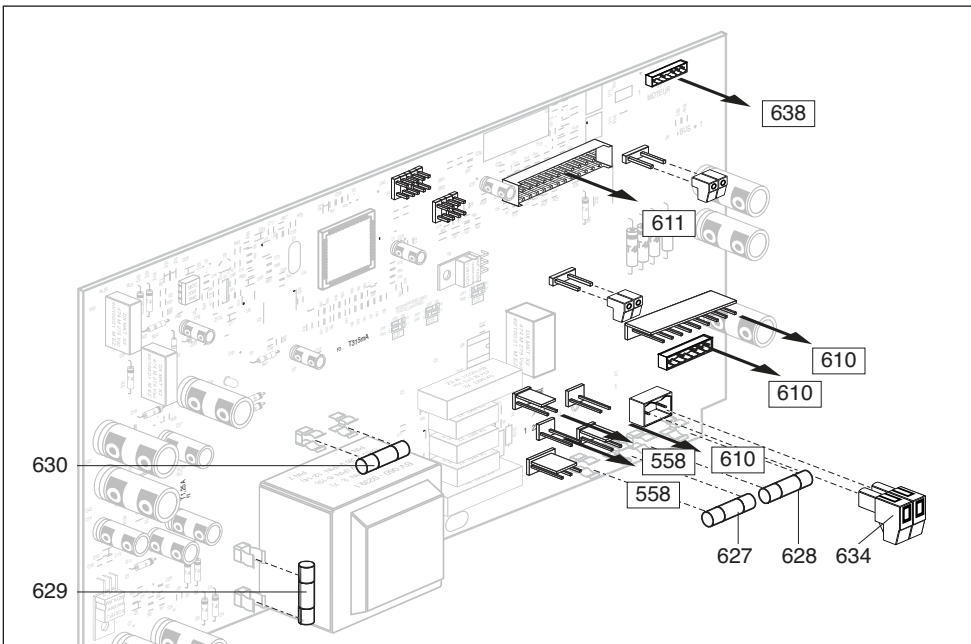
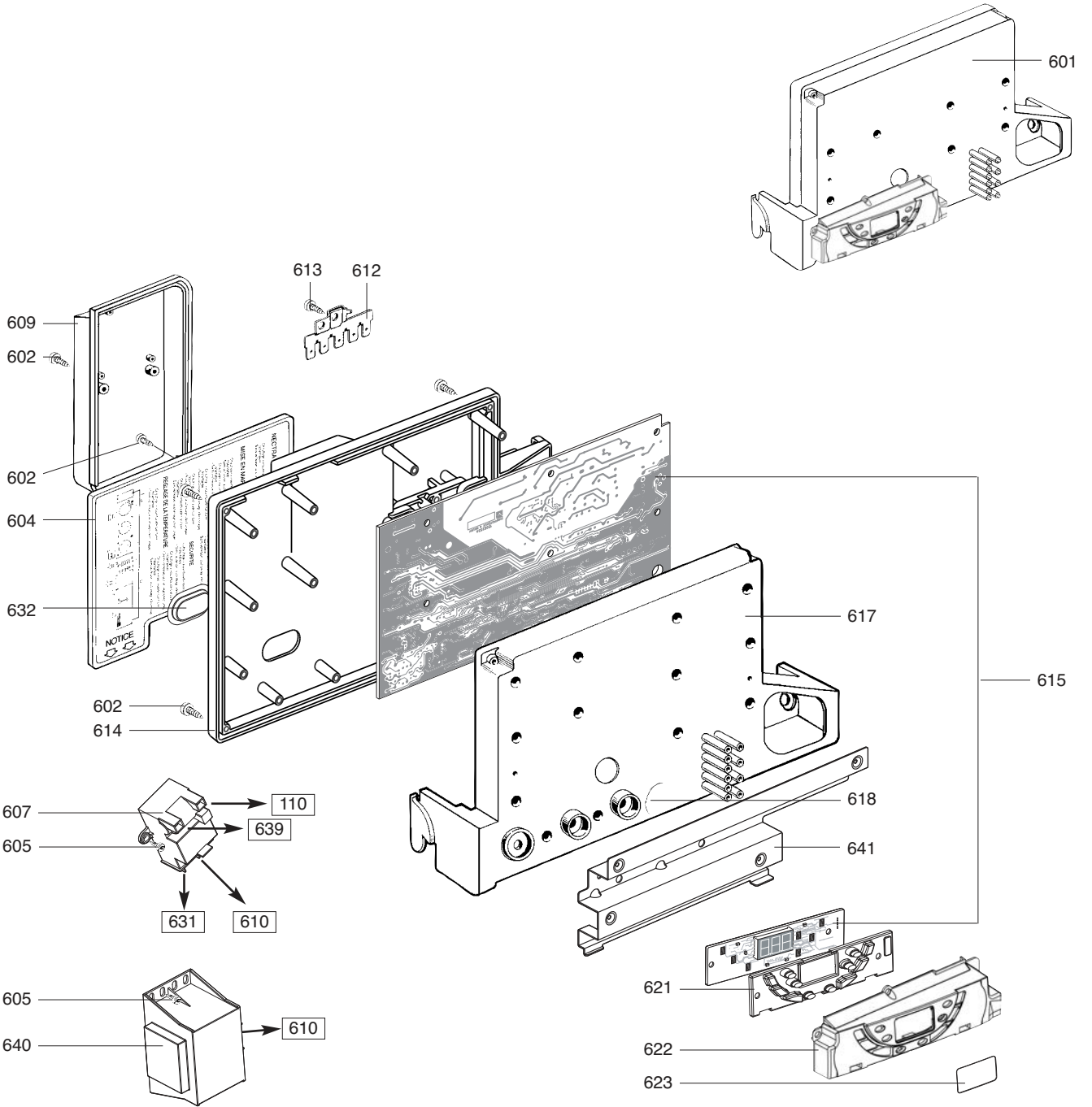
CALYDRA GREEN

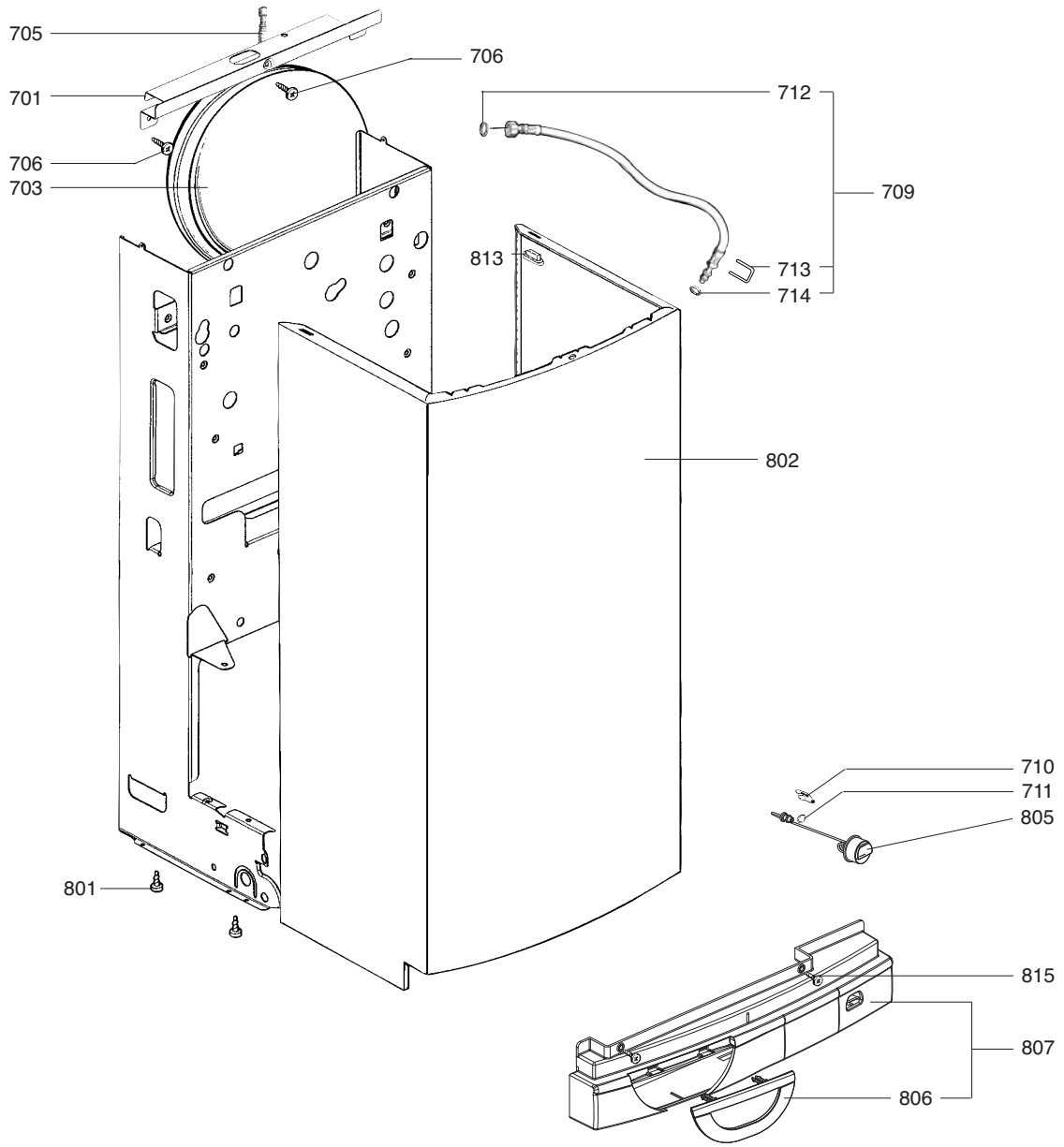
Domestic Gas Boilers



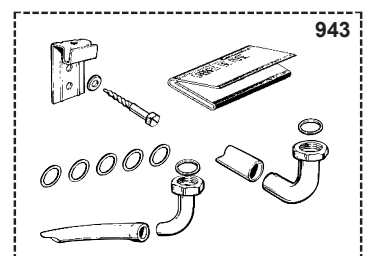
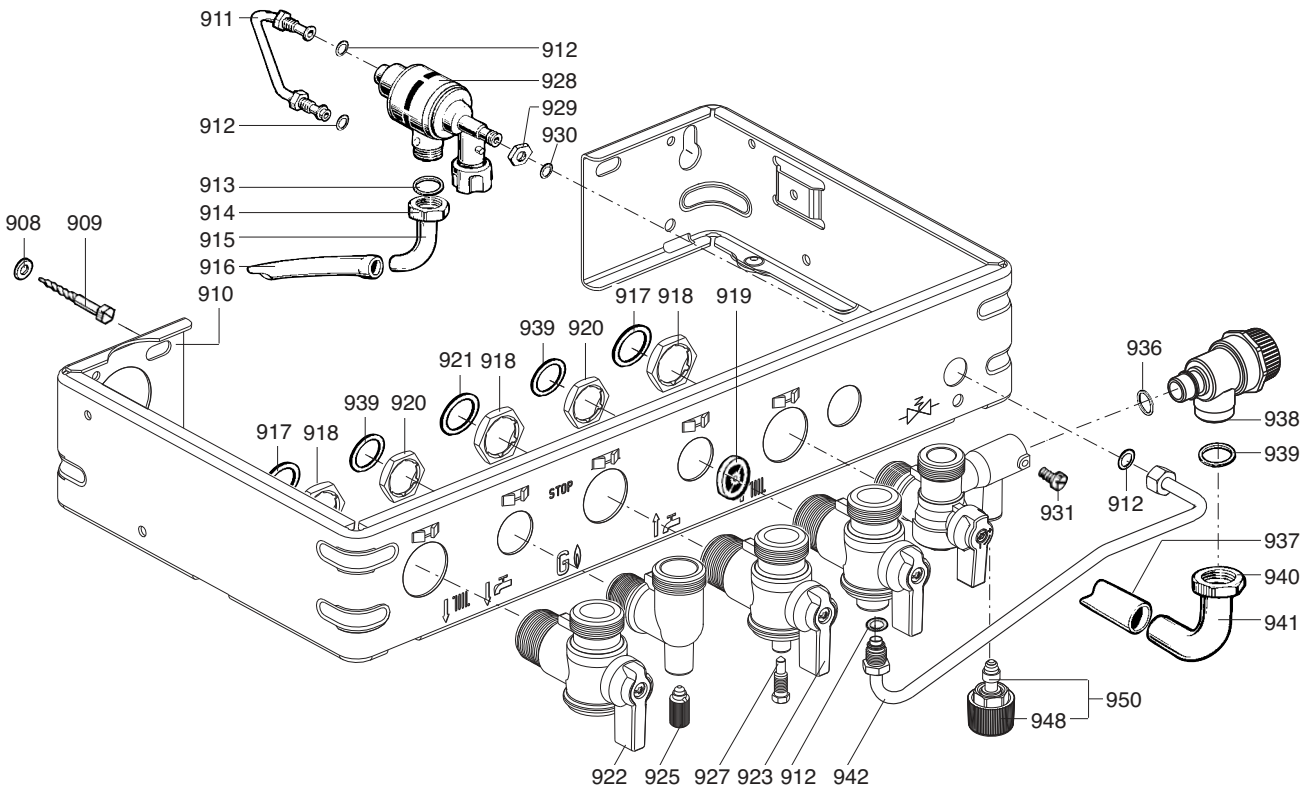
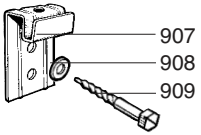
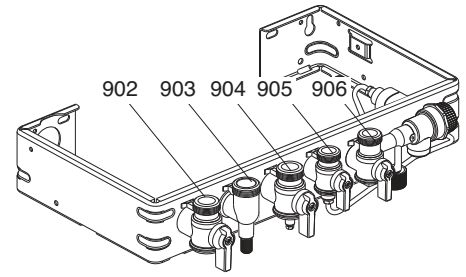






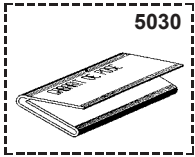
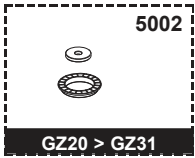


☉⇒	Description	Manf. Pt. N	Type	CALYDRA GREEN 24 FF CALYDRA GREEN 30 FF																	
				1	2	3	4	5	6	7	8	9	10	11	12	13	14	15	16	17	18
0700	CHASSIS																				
0701	TOP STAY PLATE	61010029		•	•																
0703	EXPANSION VESSEL	60056676-06		•	•																
0705	EXPANSION VESSEL AIR HOSE	61010170		•	•																
0706	TAPPING SCREW CBLX D: 6.3-19	61014516		•	•																
0709	FLEXIBLE PIPE KIT	60081824		•	•																
0710	CLIP	61002406		•	•																
0711	O RING D: 5.7-1.9	61009834-10		•	•																
0712	SHEET GASKET D: 12-6-2	61308868		•	•																
0713	CLIP	61010005		•	•																
0714	O-RING D: 8.9-2.7	61009834-14		•	•																
0800	FRONT CASE																				
0801	TAPPING SCREW CBLX D: 4.2-9.5	61010125		•	•																
0802	CASE	61010016		•																	
	CASE	61309874			•																
0805	PRESSURE GAUGE	61303158		•	•																
0806	DOOR	61306020		•	•																
0807	SERIGRA. STRIP (WITHOUT PROG.)	61310207		•	•																
0813	SPACER	61015797		•	•																
0815	SCREW FX90 L:16	61020510		•	•																

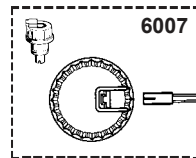
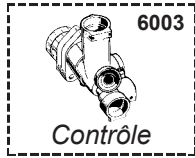
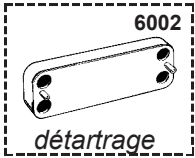


☉⇒	Description	Manf. Pt. N	Type	CALYDRA GREEN 24 FF CALYDRA GREEN 30 FF																	
				1	2	3	4	5	6	7	8	9	10	11	12	13	14	15	16	17	18
0900	JIG PLATE & PIPE FITTING																				
0902	WATER FLOW SERVICE TAP	61020388		•	•																
0903	HOT WATER CONNECTION	61020916		•	•																
0904	GAS SERVICE TAP	61020389		•	•																
0905	COLD WATER TAP	61302612		•	•																
0906	WATER RETURN SERVICE TAP	61302614		•	•																
0907	WALL HOOK	61002497		•	•																
0908	WASHER D: 14.2-7.2-1.2	60005369-03		•	•																
0909	WOOD SCREW	60025617-03		•	•																
0911	DISCONNECTOR TUBE	61010065		•	•																
0912	O-RING D: 6-1	60024164-41		•	•																
0913	SHEET GASKET D: 14.8-10.3-1.5	60061854-11		•	•																
0914	NUT 3/8» THICK: 11	60020746-20		•	•																
0915	CONNECTING PIPE	60001574		•	•																
0916	TUBE PVC D: 9x12 L: 1M	60081266		•	•																
0917	SHEET GASKET D: 24-17-1.5	60061855-19		•	•																
0918	LOCK NUT	60031140		•	•																
0919	FLOW REGULATORE 7L/MIN(DARK GREEN)	61002775-07		•	•																
	FLOW REGULATORE 8L/MIN (WHITE)	61002775-08		•	•																
	FLOW REGULATORE 10L/MIN (BLUE)	61002775-10		•	•																
	FLOW REGULATORE 12L/MIN (RED)	61002775-12		•	•																
	FLOW REGULATORE 14L/MIN (PINK)	61002775-14		•	•																
	FLOW REGULATORE 15L/MIN (PALE GREEN)	61002775-15		•	•																
0920	CONTRODADO H 1/2	60031139		•	•																
0921	SHEET GASKET D: 24-18.2-1.5	60022835-01		•	•																
0922	HAND LEVER BLACK	61302611		•	•																
0923	HAND LEVER YELLOW	61302610		•	•																
0925	DRAIN SCREW ASSY	60081028		•	•																
0927	PRESSURE TEST POINT SCREW	61016378		•	•																
0928	DISCONNECTOR KIT	60081664		•	•																
0929	NUT H M 10-1	60031825-08		•	•																
0930	SHEET GASKET D: 8.5-4.1-1.5	60061852-12		•	•																
0931	GRUB SCREW	61304327		•	•																
0936	O-RING D: 13.6-2.7	61009834-18		•	•																
0937	TUBE PVC D: 13x17 L: 1M	60081266-02		•	•																
0938	PRESSURE RELIEF VALVE	61020933		•	•																
0939	WASHER D: 18.4-12.2-1.5	60061855-14		•	•																
0940	NUT 1/2» THICK: 10	60020747-38		•	•																
0941	VALVE CONNECTING PIPE	60047727		•	•																
0942	FILLER NECK	61020885		•	•																
0943	ACCESSORY KIT	61010324		•	•																
0948	GREY KNOB	61302613		•	•																
0950	TAP HEAD	61314798		•	•														01/04		

5000



6000



LIST OF THE ABBREVIATIONS

HW	: Hot water.
CW	: Cold water.
C	: Ceramic resistance (normal heating).
Ca	: Ceramic resistance (accelerated heating)
TP	: Immersion heater.
1F	: With fittings.
2F	: Without fittings.
3F	: With fittings and another outlet connection.
AMI	: With mixing valve.
SMI	: Without mixing valve.
PUISS	: Power of th appliance.
PN	: Appliance with normal pression.
LP	: Appliance with low pression.
PV	: Appliance with variable power.
PF	: Appliance with fixed power.

IDENTIFICATION PLATE

SERIAL NUMBER

10 Characters :	04 05 125 011		
		Sequential number	
		Manufacturing day	
		Year of manufacture	
11 Characters :	1 95 065004 - 31		
Month of manufacture :		Technical number of the appliance	
from 1 to 9 → Jan. to Sep.,		Sequential number	
O → Oct., N → Nov.,		Year of manufacture	
D → Dec.			
19 Characters :	08 05 0013199 900640031		
Year of manufacture		Product reference	
Month of manufacture		Sequential number	
20 Characters :	3675007 XX 2 07 070 00315		
Product reference		Sequential number	
Millenium of manufacture		Manufacturing day	
		Year of manufacture	
21 Characters :	3675007 XX 07 070 0000315		
Product reference		Sequential number	
Year of manufacture		Manufacturing day	

The indications mentioned on the prices, commercial or technical literature and the scheme are written for your guidance and are available at a given time. The CONSTRUCTOR retains the power to modify the presentation, the form, the size, the conception or the material of the products.