



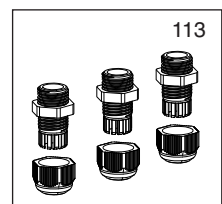
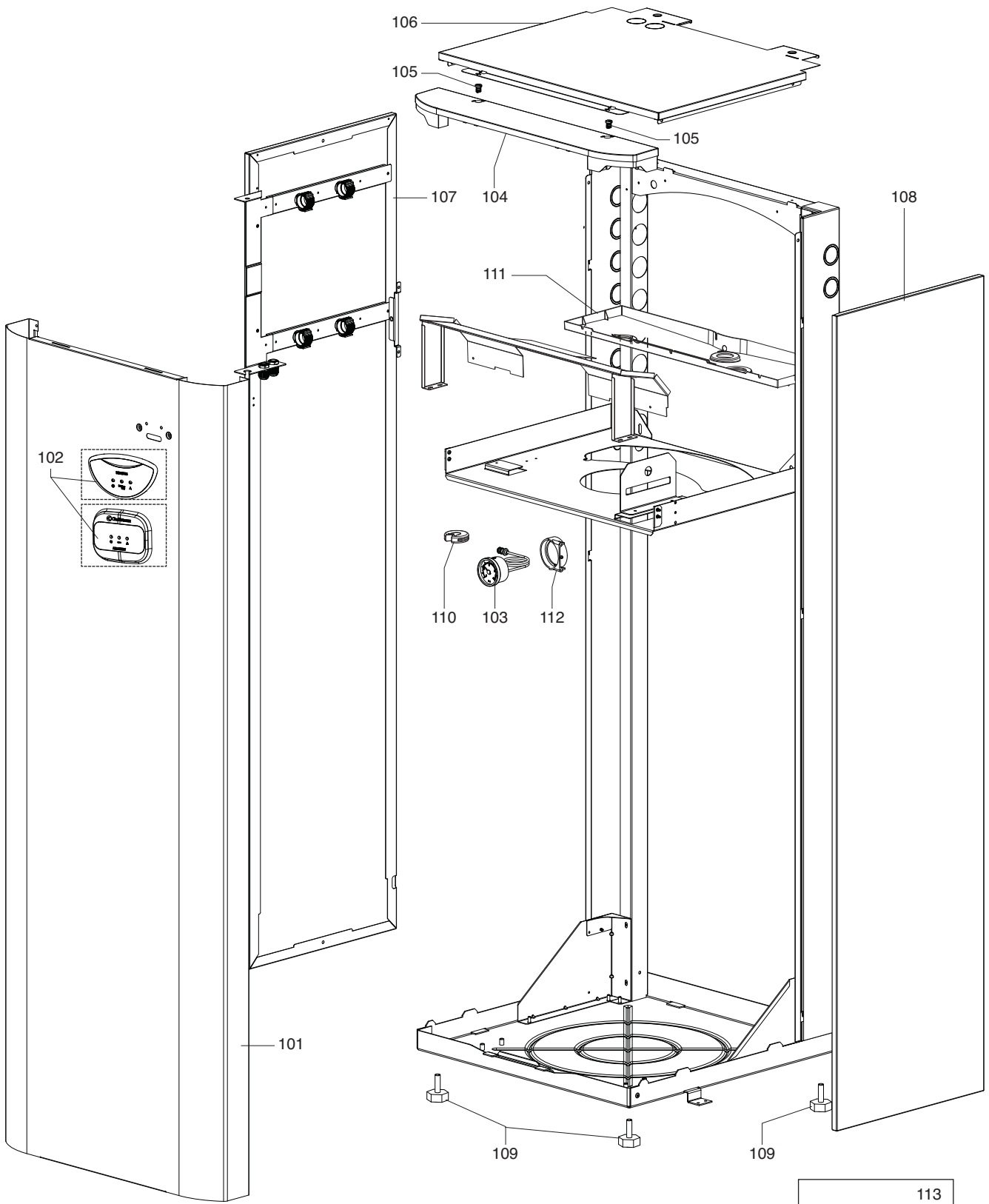
# SPARE PARTS EXPLODED VIEW HEAT PUMPS

Model

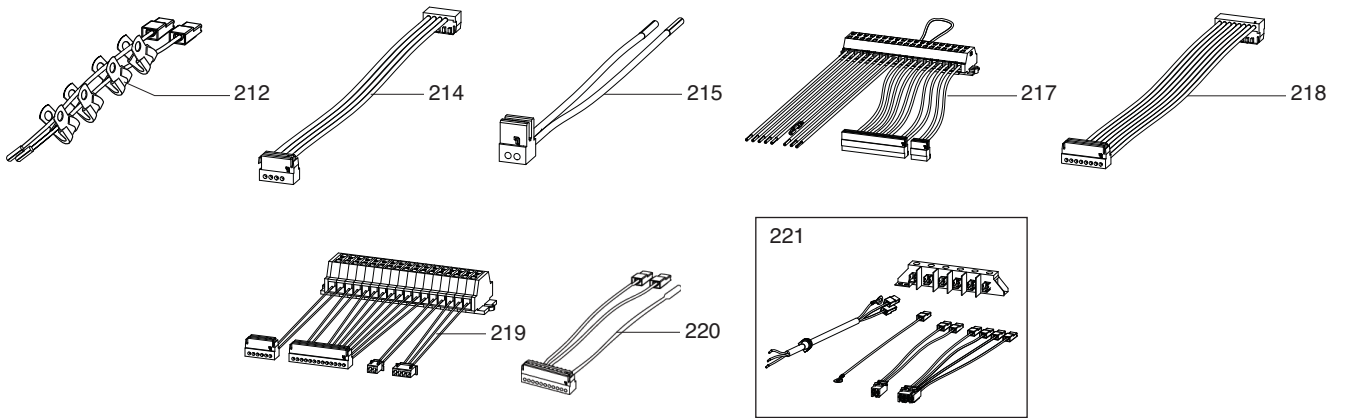
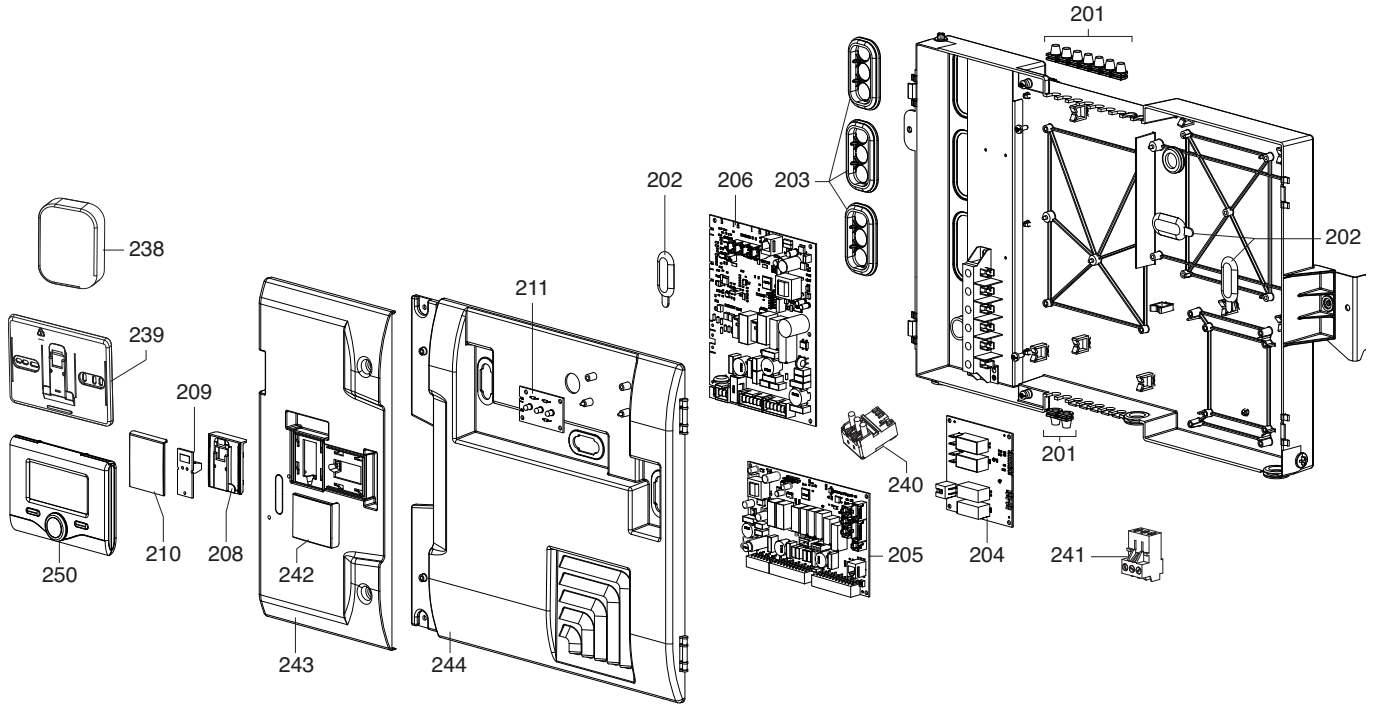
## **NIMBUS/ARIANEXT FS-L M 1Z**

R8218060-06 - 10/05/2021

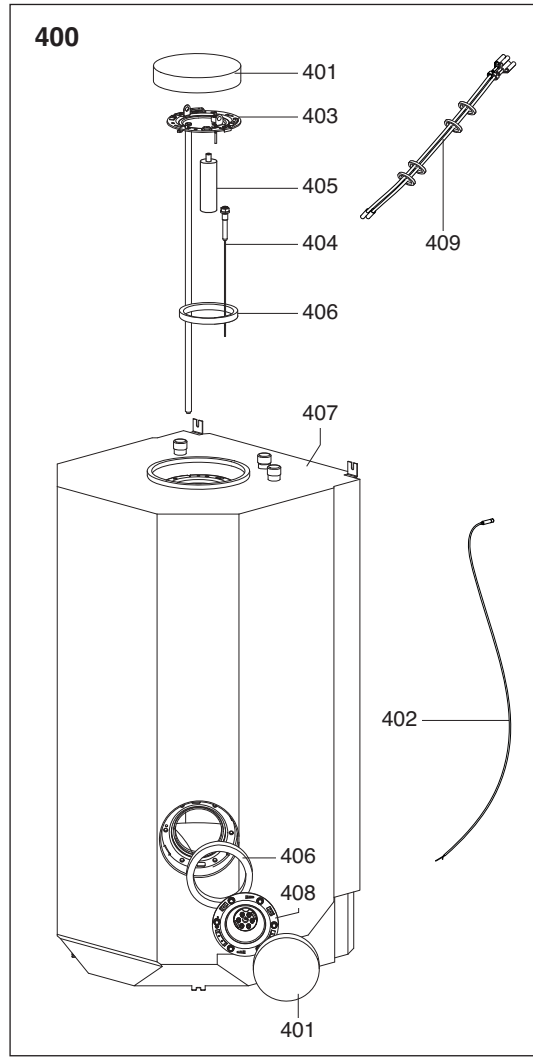
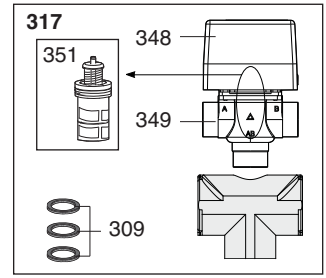
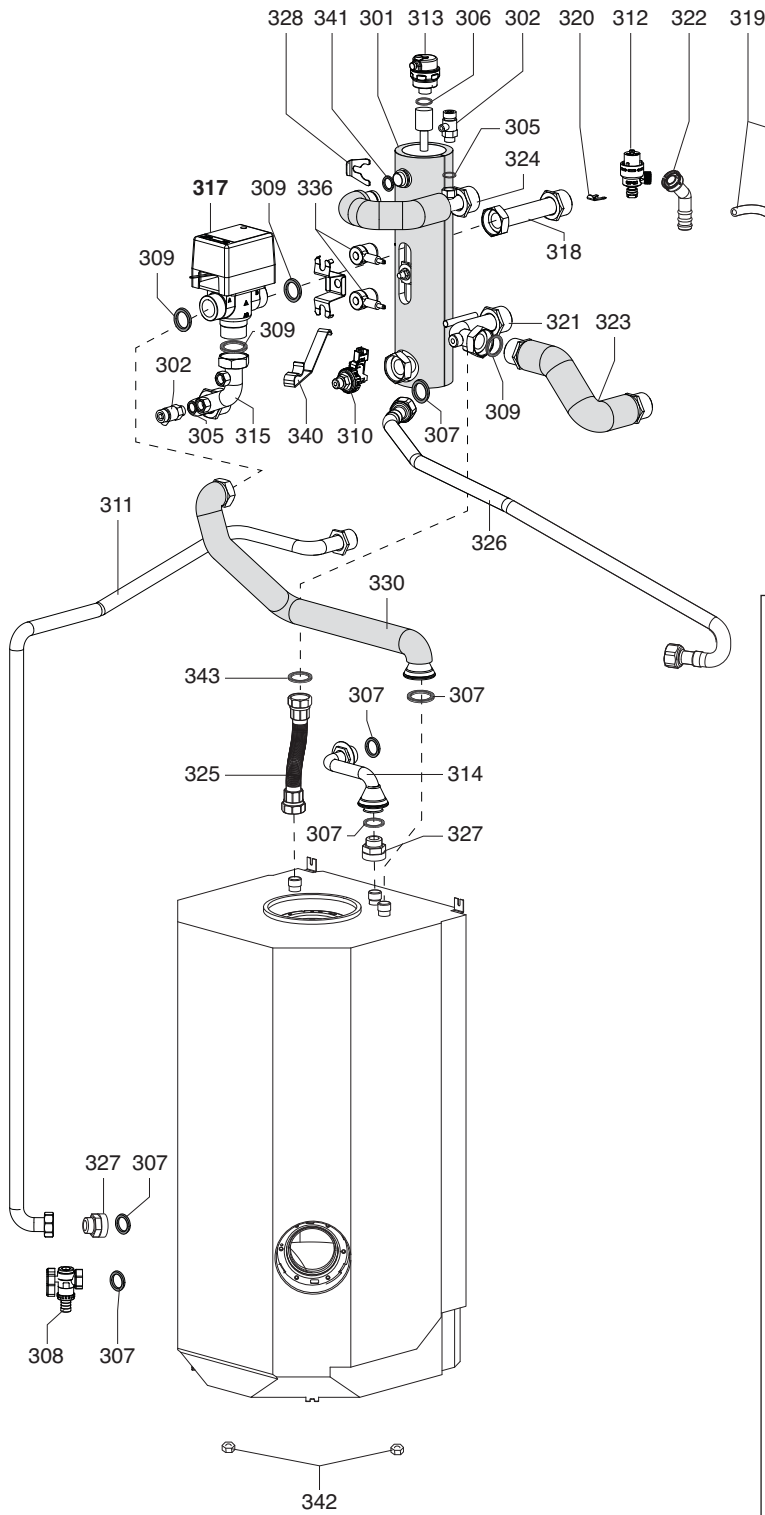
|     |           |                     |         |     |
|-----|-----------|---------------------|---------|-----|
| 1   | 3301339   | NIMBUS FS-L M 1Z    | 08-2018 | -   |
| 2   | 3301365   | ARIANEXT FSP-L M 1Z | 08-2018 | -   |
| Col | Reference | Model type          | Begin   | End |













---

## LIST OF THE ABBREVIATIONS

|             |  |
|-------------|--|
| HW .....    | : Hot water.                                   |
| CW .....    | : Cold water.                                  |
| C .....     | : Ceramic resistance (normal heating).         |
| Ca .....    | : Ceramic resistance (accelerated heating)     |
| TP .....    | : Immersion heater.                            |
| 1F .....    | : With fittings.                               |
| 2F .....    | : Without fittings.                            |
| 3F .....    | : With fittings and another outlet connection. |
| AMI .....   | : With mixing valve.                           |
| SMI .....   | : Without mixing valve.                        |
| PUISS ..... | : Power of th appliance.                       |
| PN .....    | : Appliance with normal pression.              |
| LP .....    | : Appliance with low pression.                 |
| PV .....    | : Appliance with variable power.               |
| PF .....    | : Appliance with fixed power.                  |

---

The indications mentioned on the prices, commercial or technical literature and the scheme are written for your guidance and are available at a given time. The CONSTRUCTOR retains the power to modify the presentation, the form, the size, the conception or the material of the products.

---