

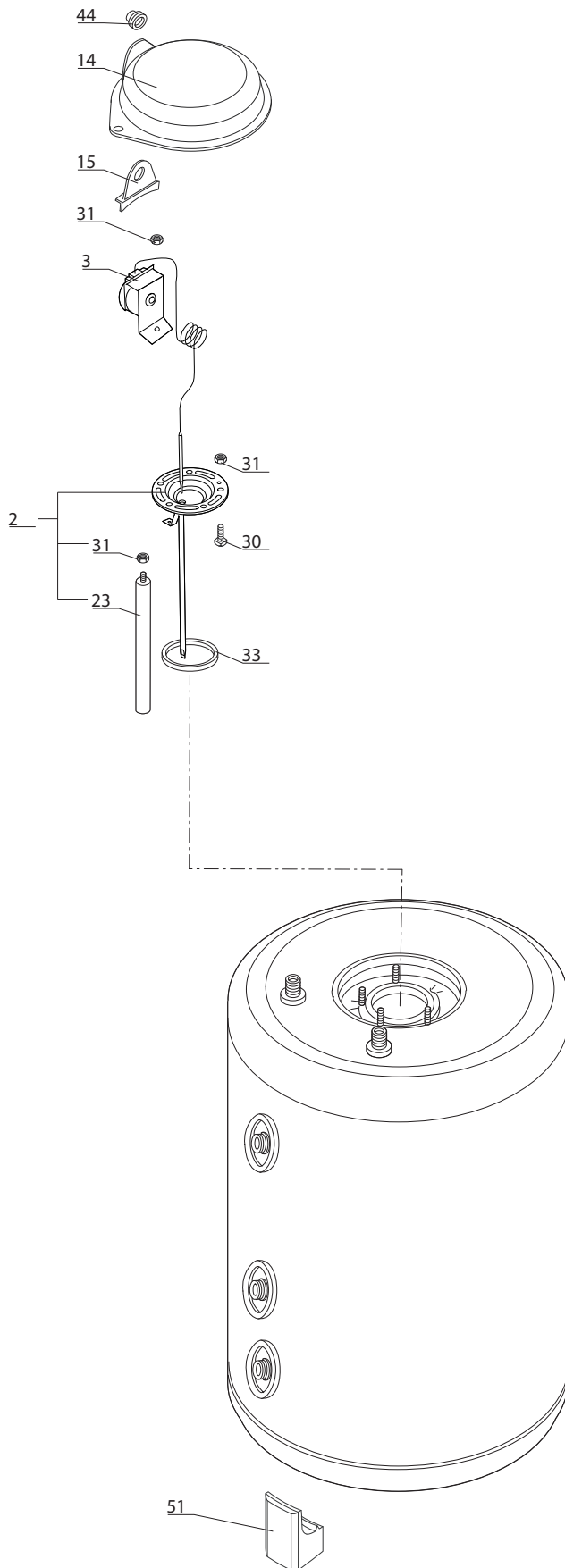
SPARE PARTS EXPLODED VIEW BOILERS

Model

DUO ST

R8202708-05 - 10/07/2013

1	892881	C&M - DUO 100 ST	12-2002	09-2008
1	3070106	CHX - DUO 100 ST	12-2007	06-2010
2	892882	C&M - DUO 150 ST	12-2002	02-2009
2	3070107	CHX - DUO 150 ST	12-2007	05-2013
3	892883	C&M - DUO 200 ST	12-2002	09-2008
3	3070108	CHX - DUO 200 ST	12-2007	05-2013
Col	Reference	Model type	Begin	End



☉→	Description	Manf. Pt. N	Type	DUO 100 ST DUO 150 ST DUO 200 ST														31
				1	2	3	4	5	6	7	8	9	10	11	12	13	14	

	Description	Manf. Pt. N	Type	1	2	3	4	5	6	7	8	9	10	11	12	13	14	15	16	17	18	
0002	FLANGE + SHEATH	816411		•	•	•																09/07
	MATING FLANGE	60001045		•	•	•																10/07
0003	THERMOSTAT	921038		•	•	•																
0014	COVER	926115		•	•	•																
0015	WIRE PIN BRACKET	926124		•	•	•																
0023	ANODE D:21,3 L:550 M5-M8	993207-01		•	•	•																10/07
	ANODE D:25.5 L:440 M8	60000797		•	•	•																09/07
0030	SCREW M8X14 (6 PCES)	60000681		•	•	•																10/07
	SCREW M8X25	918001		•	•	•																09/07
0031	NUT (M8)	918004		•	•	•																
0033	FLANGE GASKET 5 HOLES	924001		•	•	•																09/07
	FLANGE GASKET D:121.3-105-7.1	60071829		•	•	•																10/07
0044	KIT (CABLE-HOLDER) + SCREW	65102743		•	•	•																
0051	FOOT (100 MM)	926136		•	•	•																

LIST OF THE ABBREVIATIONS

HW	: Hot water.
CW	: Cold water.
C	: Ceramic resistance (normal heating).
Ca	: Ceramic resistance (accelerated heating)
TP	: Immersion heater.
1F	: With fittings.
2F	: Without fittings.
3F	: With fittings and another outlet connection.
AMI	: With mixing valve.
SMI	: Without mixing valve.
PUISS	: Power of th appliance.
PN	: Appliance with normal pression.
LP	: Appliance with low pression.
PV	: Appliance with variable power.
PF	: Appliance with fixed power.

IDENTIFICATION PLATE

SERIAL NUMBER

9 Characters : 07 91 00301 (from 01/77 to 12/92)

Month of manufacture _____ Sequential number
Year of manufacture _____

10 Characters : 95 01 065004 (from 01/93 to 06/95)

Year of manufacture _____ Sequential number
Month of manufacture _____

OU

10 Characters : 01 95 065004 (from 07/95)

Month of manufacture _____ Sequential number
Year of manufacture _____

12 Characters : 924 2 3 134 0115

Product reference _____ Sequential number
Year of manufacture _____ Manufacturing day

15 ou 16 Characters : (0)03 070 0001 893077 (from 01/97 to 01/05)

Year of manufacture _____ Product reference
Day of manufacture _____ Sequential number

OU

16 Characters : 05 070 0001 0000000 (from 02/05)

Year of manufacture _____ Product reference
Day of manufacture _____ Sequential number

17 Characters : 07 070 00315 3070107

Year of manufacture _____ Product reference
Sequential number
Manufacturing day (70)

21 Characters : 3000115 XX 08115 0000001

Product reference _____ Sequential number
Year (08) / Manufacturing day (115)

22 Characters : 3000115 XX 070416 0000001

Product reference _____ Sequential number
Year (07) / Month (04) / Manufacturing day (16)