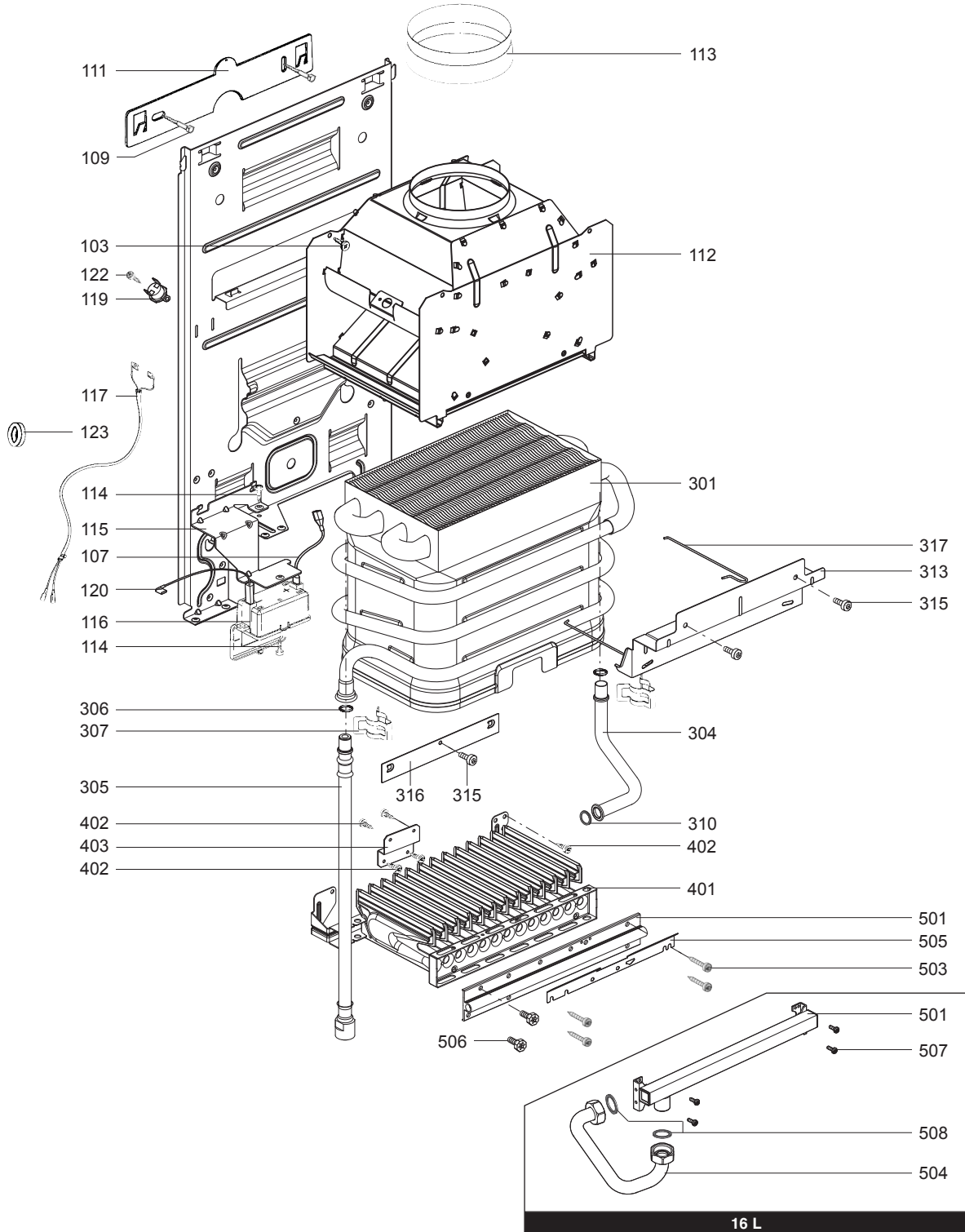
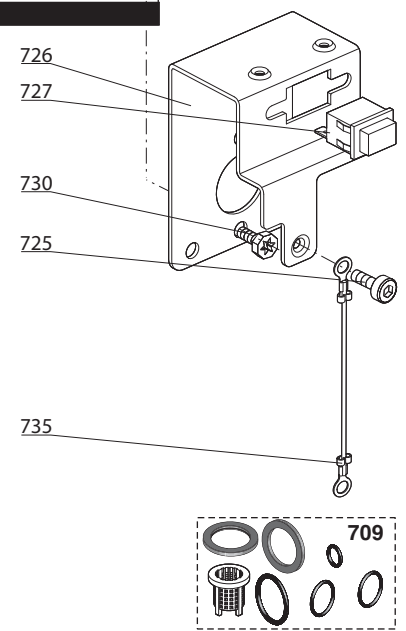
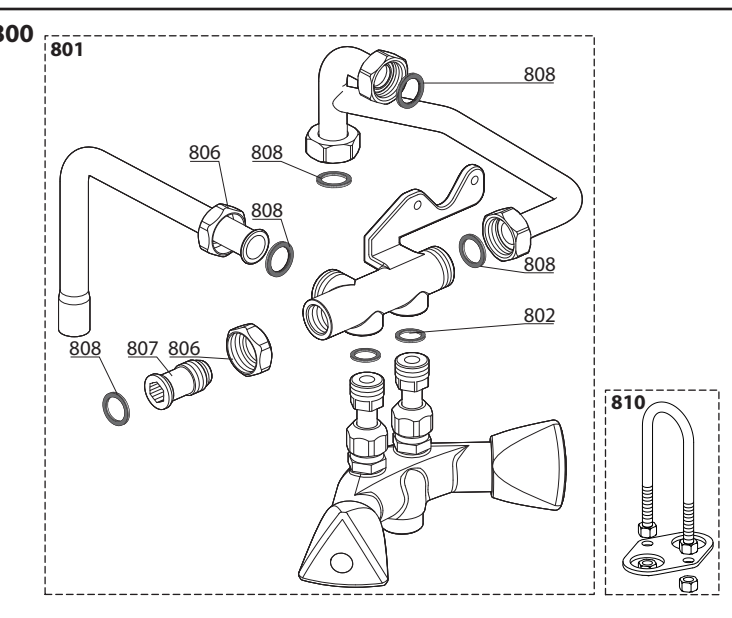
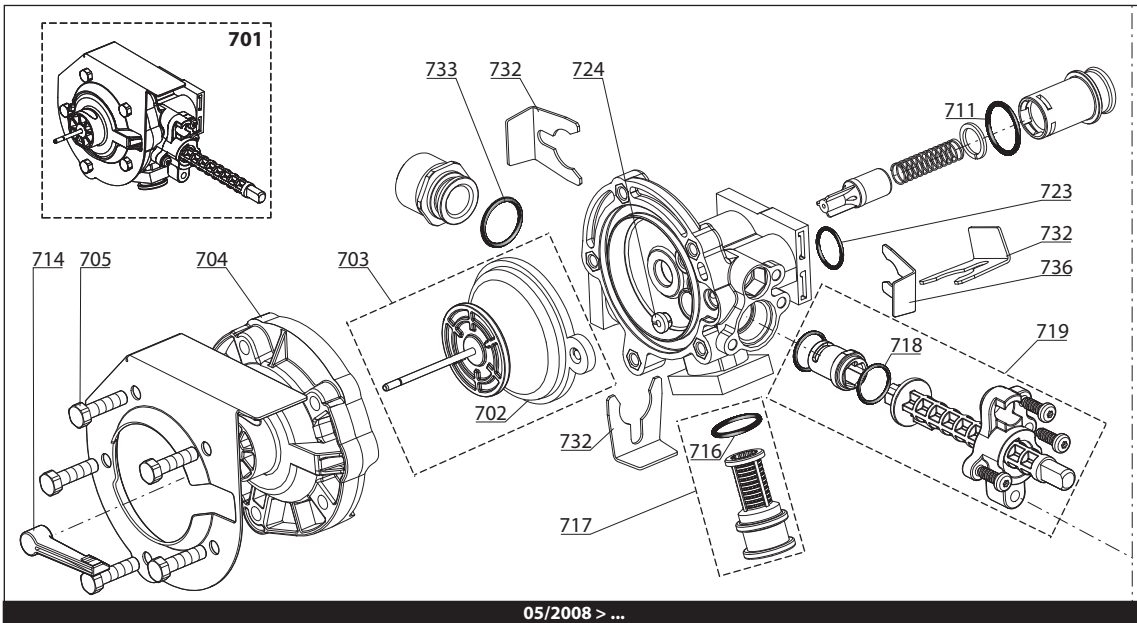
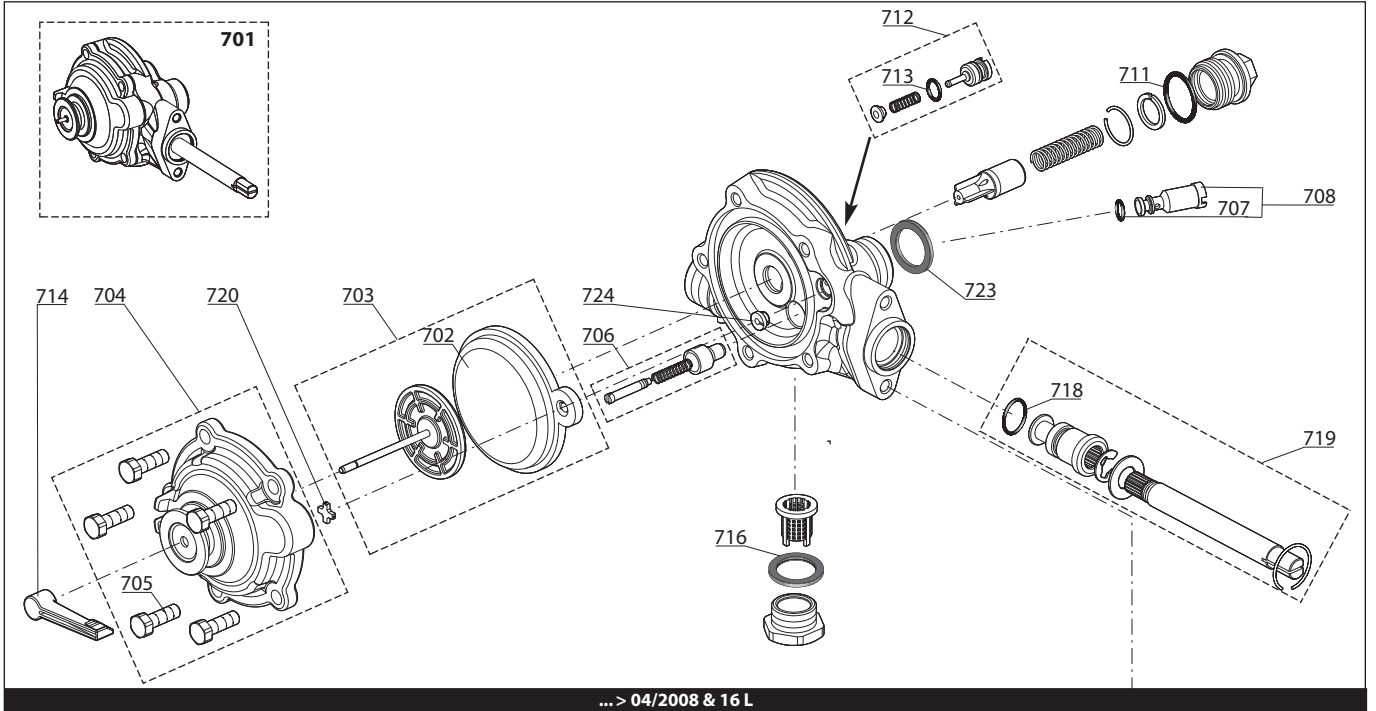


SPARE PARTS EXPLODED VIEW
INSTANTANEOUS GAS WATER HEATERS
Model
FLUENDO E

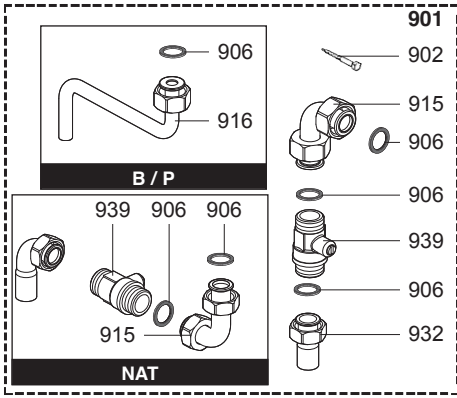
R8202807-10 - 11/05/2016

1	3675009	FLUENDO 11 CF E NAT FR	10-2004	12-2014
1	3675010	FLUENDO 11 CF E GPL FR	07-2004	12-2014
2	3675013	FLUENDO 14 CF E NAT FR	08-2004	12-2014
2	3675014	FLUENDO 14 CF E GPL FR	07-2004	12-2014
3	3675058	FLUENDO 16 CF E NAT FR	05-2005	09-2009
3	3675060	FLUENDO 16 CF E GPL FR	05-2005	09-2009
Col	Reference	Model type	Begin	End





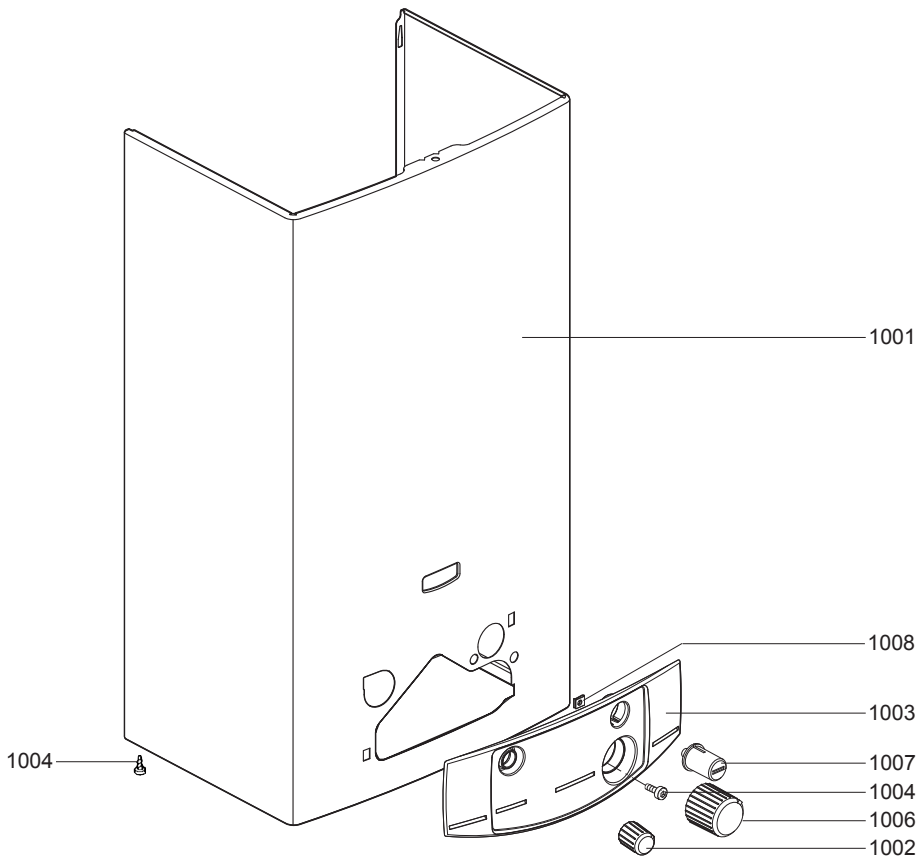
900



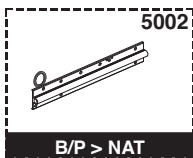
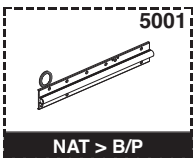
1000

FLUENDO E

Instantaneous Gas Water Heaters



5000



LIST OF THE ABBREVIATIONS

HW	: Hot water.
CW	: Cold water.
C	: Ceramic resistance (normal heating).
Ca	: Ceramic resistance (accelerated heating)
TP	: Immersion heater.
1F	: With fittings.
2F	: Without fittings.
3F	: With fittings and another outlet connection.
AMI	: With mixing valve.
SMI	: Without mixing valve.
PUISS	: Power of th appliance.
PN	: Appliance with normal pression.
LP	: Appliance with low pression.
PV	: Appliance with variable power.
PF	: Appliance with fixed power.

IDENTIFICATION PLATE

SERIAL NUMBER

10 Characters :	04 05 125 011	Sequential number Manufacturing day Year of manufacture
11 Characters :	1 95 065004 - 31	Technical number of the appliance Sequential number Year of manufacture
Month of manufacture : from 1 to 9 → Jan. to Sep., O → Oct., N → Nov., D → Dec.		
19 Characters :	08 05 0013199 900640031	Product reference Sequential number
Year of manufacture Month of manufacture		
20 Characters :	3675007 XX 2 07 070 00315	Sequential number Manufacturing day Year of manufacture
Product reference Millenium of manufacture		
21 Characters :	3675007 XX 07 070 0000315	Sequential number Manufacturing day
Product reference Year of manufacture		