

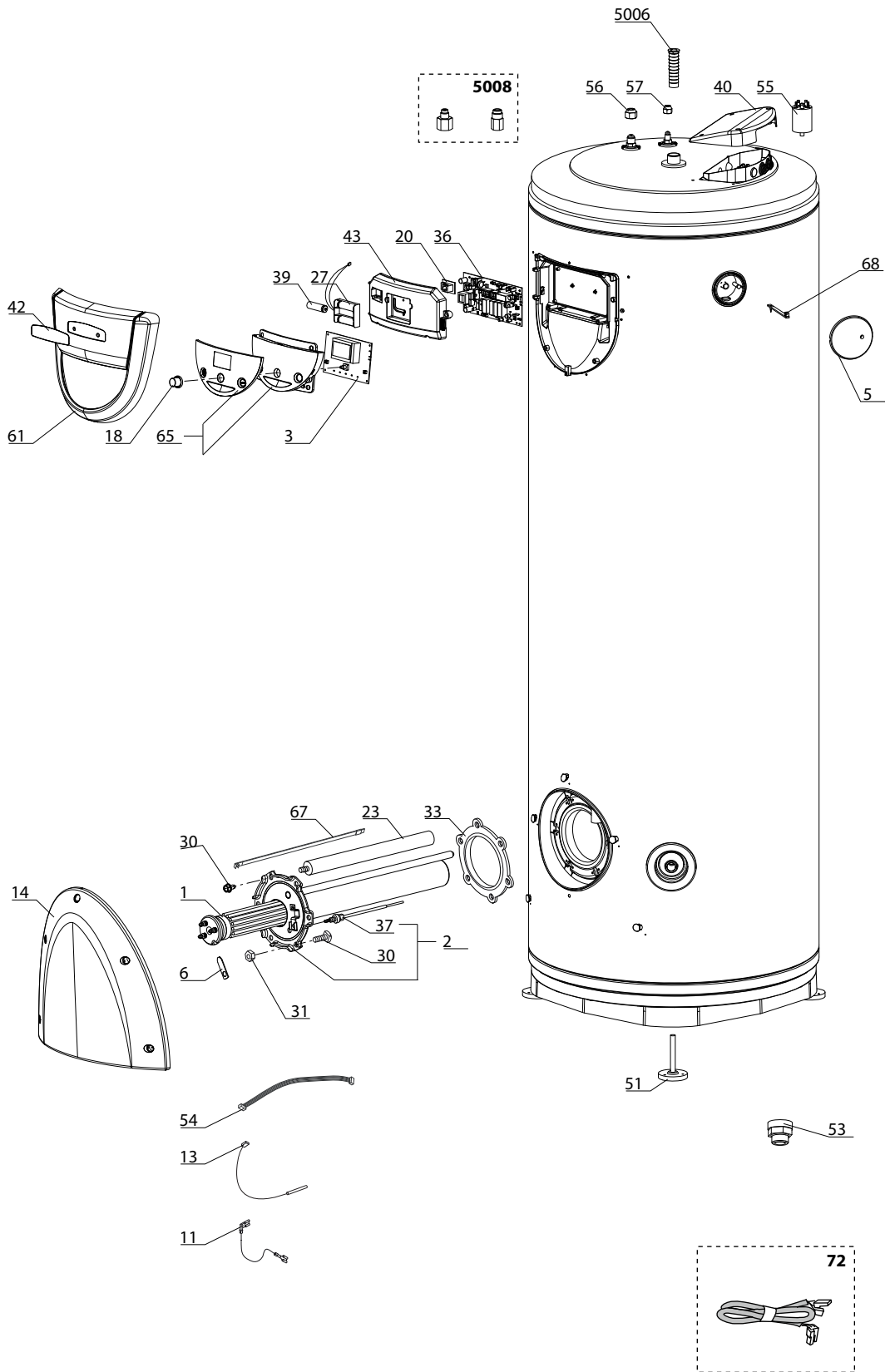
SPARE PARTS EXPLODED VIEW HEAT PUMPS

Model

AQUANEXT SPLIT FS

R8203334-08 - 20/07/2017

1	3069406	AQUANEXT SPLIT TANK FS 300	09-2011	12-2015
1	3079040	AQUANEXT SPLIT TANK FS 300		
2	3069505	AQUANEXT SPLIT FLEX TANK 270 FS		
Col	Reference	Model type	Begin	End



LIST OF THE ABBREVIATIONS

HW	: Hot water.
CW	: Cold water.
C	: Ceramic resistance (normal heating).
Ca	: Ceramic resistance (accelerated heating)
TP	: Immersion heater.
1F	: With fittings.
2F	: Without fittings.
3F	: With fittings and another outlet connection.
AMI	: With mixing valve.
SMI	: Without mixing valve.
PUISS	: Power of th appliance.
PN	: Appliance with normal pression.
LP	: Appliance with low pression.
PV	: Appliance with variable power.
PF	: Appliance with fixed power.

IDENTIFICATION PLATE

SERIAL NUMBER

9 Characters : 07 91 00301 (from 01/77 to 12/92)

Month of manufacture 07 91 00301 Sequential number
Year of manufacture 07 91 00301

10 Characters : 95 01 065004 (from 01/93 to 06/95)

Year of manufacture 95 01 065004 Sequential number
Month of manufacture 95 01 065004

OU

10 Characters : 01 95 065004 (from 07/95)

Month of manufacture 01 95 065004 Sequential number
Year of manufacture 01 95 065004

12 Characters : 924 2 3 134 0115

Product reference 924 2 3 134 0115 Sequential number
Year of manufacture 924 2 3 134 0115 Manufacturing day

15 ou 16 Characters : (0)03 070 0001 893077 (from 01/97 to 01/05)

Year of manufacture (0)03 070 0001 893077 Product reference
Day of manufacture (0)03 070 0001 893077 Sequential number

OU

16 Characters : 05 070 0001 0000000 (from 02/05)

Year of manufacture 05 070 0001 0000000 Product reference
Day of manufacture 05 070 0001 0000000 Sequential number

17 Characters : 07 070 00315 3070107

Year of manufacture 07 070 00315 3070107 Product reference
Sequential number
Manufacturing day (70)

21 Characters : 3000115 XX 08115 0000001

Product reference 3000115 XX 08115 0000001 Sequential number
Year (08) / Manufacturing day (115)

22 Characters : 3000115 XX 070416 0000001

Product reference 3000115 XX 070416 0000001 Sequential number
Year (07) / Month (04) / Manufacturing day (16)