



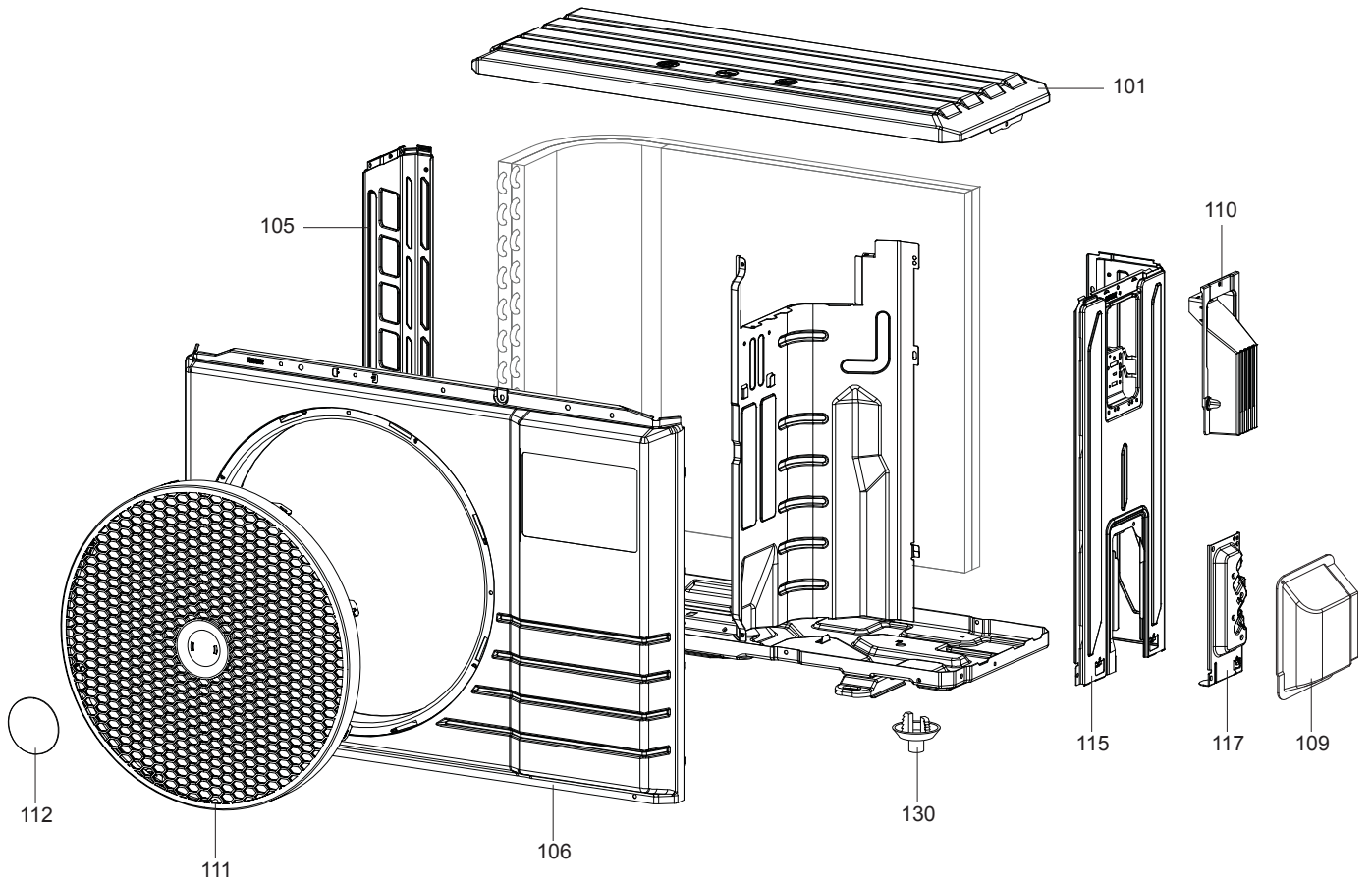
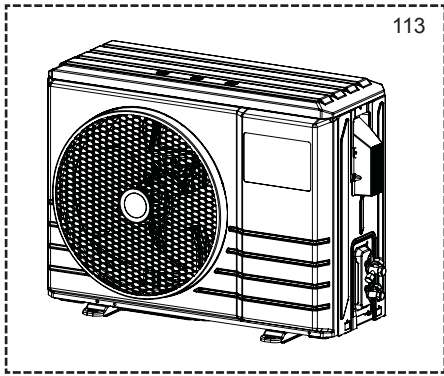
# SPARE PARTS EXPLODED VIEW HEAT PUMPS

Model

## SPLIT INVERTER (JANUS IV)

R8218401-02 - 17/07/2020

1	3629070	NUOS SPLIT INVERTER EXT UNIT	09-2019	-
2	3629071	AQUANEXT SPLIT INVERTER EXT UNIT	09-2019	-
Col	Reference	Model type	Begin	End

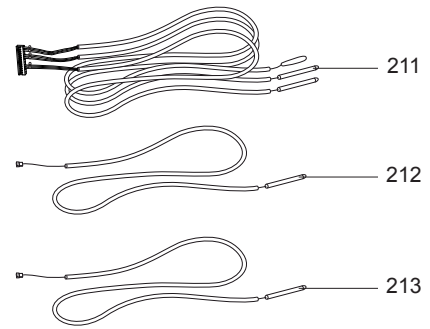
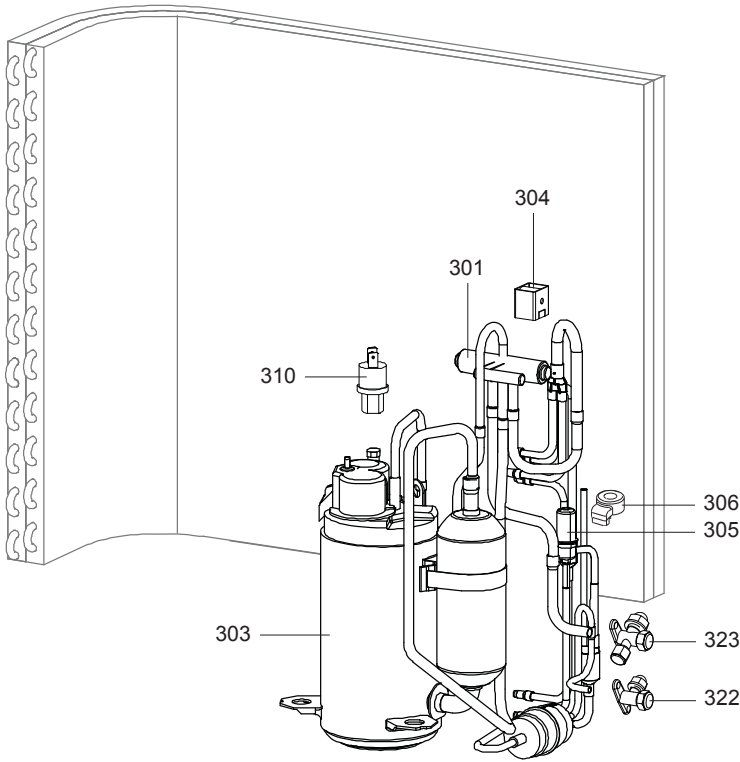
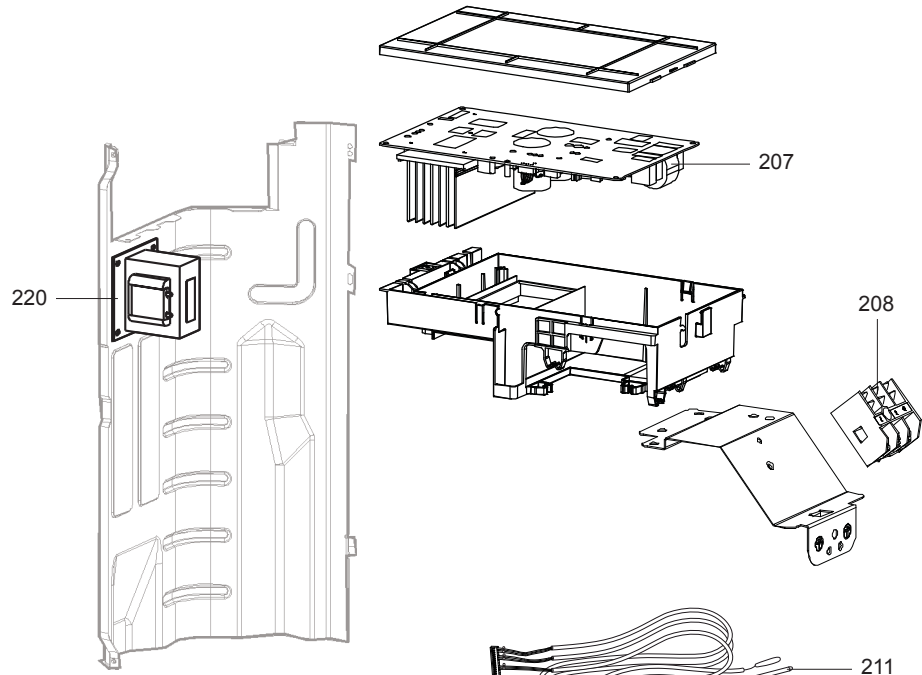




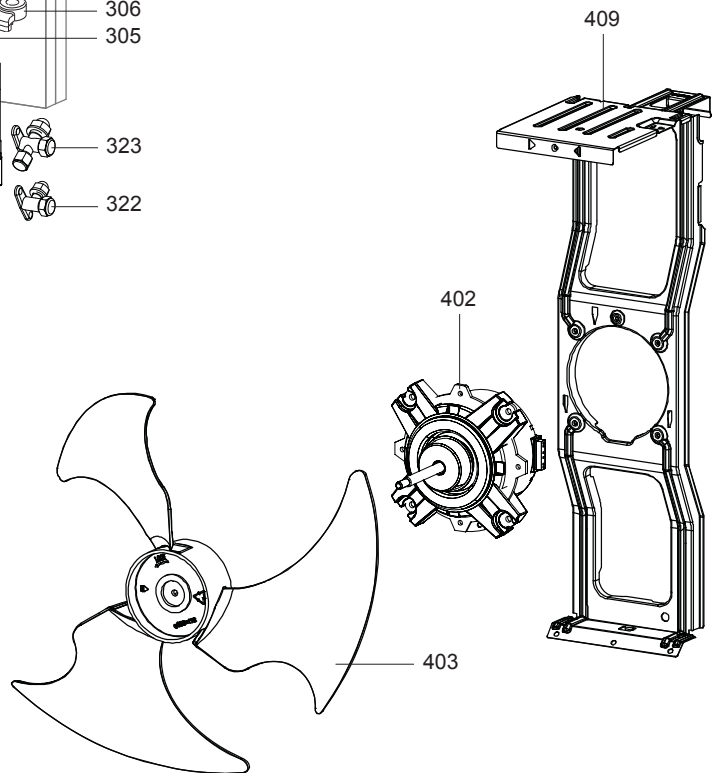
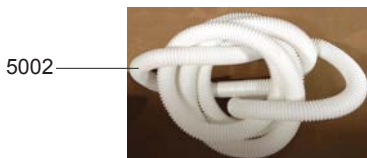
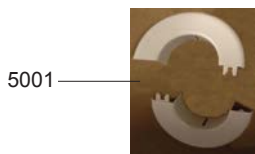
200  
300  
400

SPLIT INVERTER (JANUS IV)

Heat pumps



5000





---

## LIST OF THE ABBREVIATIONS

HW .....	: Hot water.
CW .....	: Cold water.
C .....	: Ceramic resistance (normal heating).
Ca .....	: Ceramic resistance (accelerated heating)
TP .....	: Immersion heater.
1F .....	: With fittings.
2F .....	: Without fittings.
3F .....	: With fittings and another outlet connection.
AMI .....	: With mixing valve.
SMI .....	: Without mixing valve.
PUISS .....	: Power of th appliance.
PN .....	: Appliance with normal pression.
LP .....	: Appliance with low pression.
PV .....	: Appliance with variable power.
PF .....	: Appliance with fixed power.

---

The indications mentioned on the prices, commercial or technical literature and the scheme are written for your guidance and are available at a given time. The CONSTRUCTOR retains the power to modify the presentation, the form, the size, or the conception or the material of the products.

---