

SPARE PARTS EXPLODED VIEW GAS WALL BOILERS

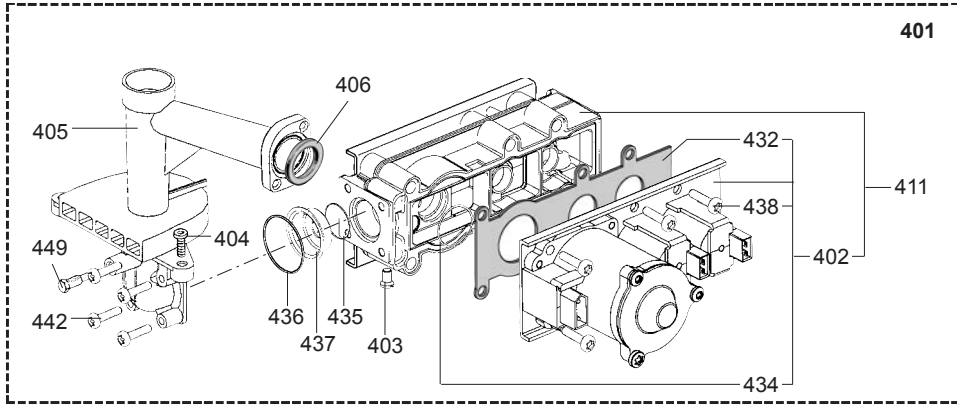
Model

ELEXIA II

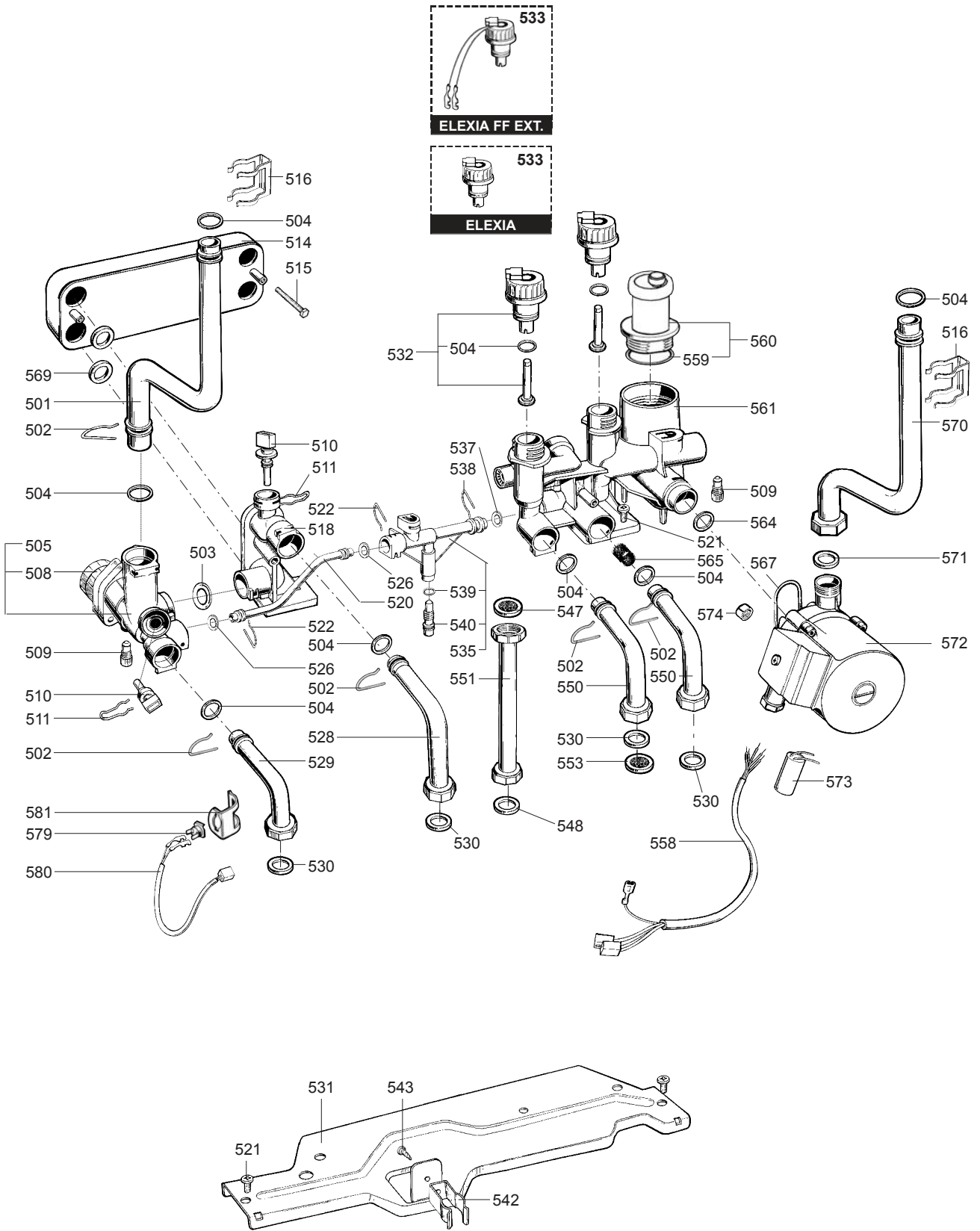
R8202772-05 - 22/03/2012

| 1 | 400224131 | ELEXIA 2.18 CF NAT | ... | ... |
|-----|--------------|----------------------|-------|-------|
| 1 | 400224121 | ELEXIA 2.18 CF B/P | ... | ... |
| 2 | 400224136 | ELEXIA 2.18 VMC NAT | 04/99 | 02/00 |
| 2 | 400224126 | ELEXIA 2.18 VMC B/P | ... | ... |
| 3 | 400222731 | ELEXIA II CF NAT | 10/98 | 05/02 |
| 3 | 400222721 | ELEXIA II CF B/P | 01/99 | 11/01 |
| 4 | 400222736 | ELEXIA II VMC NAT | 10/98 | 10/02 |
| 4 | 400222726 | ELEXIA II VMC B/P | ... | ... |
| 5 | 400222737 | ELEXIA II FF NAT | 10/98 | 10/02 |
| 5 | 400222727 | ELEXIA II FF B/P | 02/99 | 05/02 |
| 6 | 200006758037 | ELEXIA II FF EXT NAT | 04/99 | 10/02 |
| 6 | 200006758027 | ELEXIA II FF EXT B/P | 04/99 | 10/02 |
| Col | Reference | Model type | Begin | End |

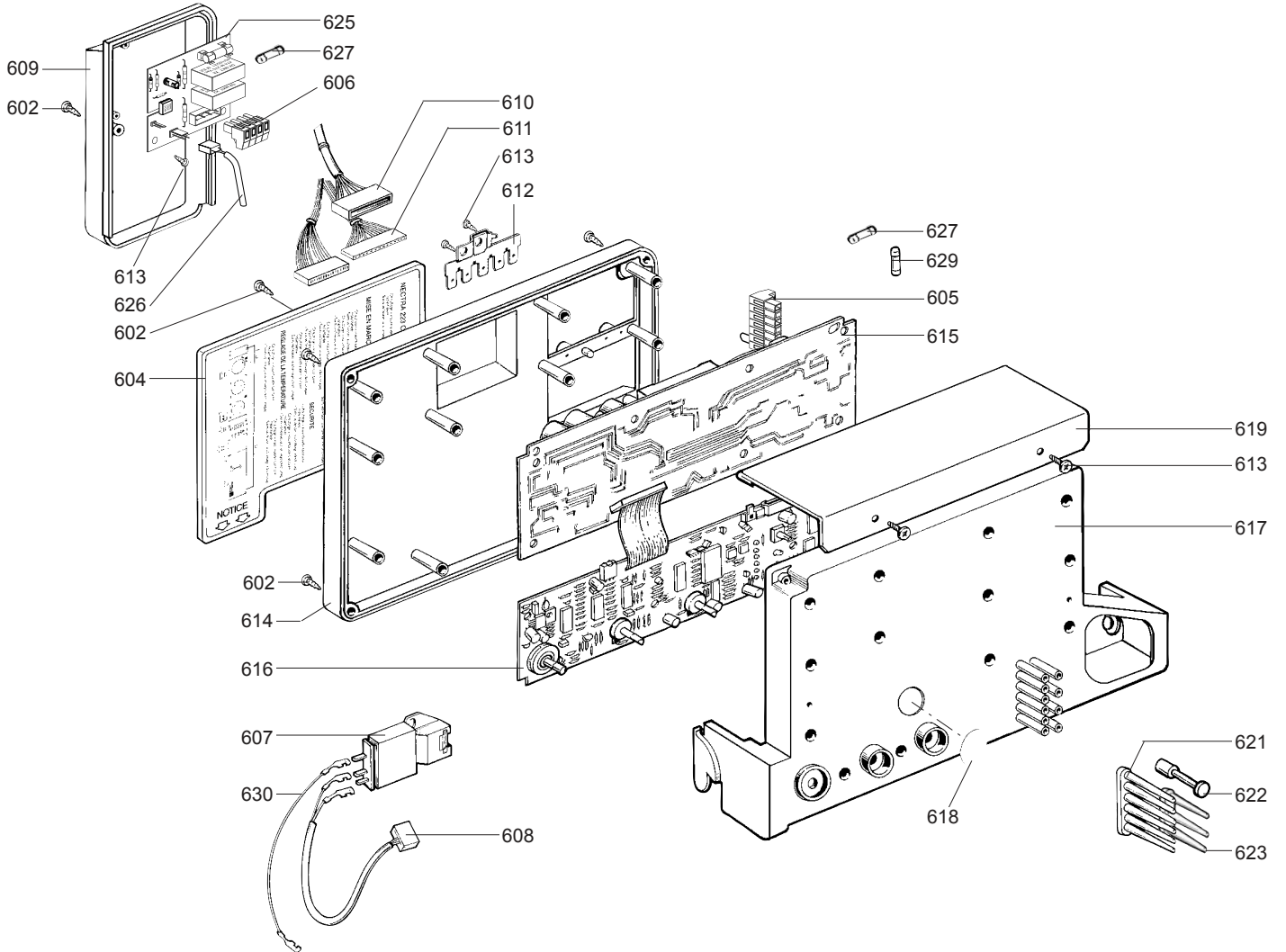
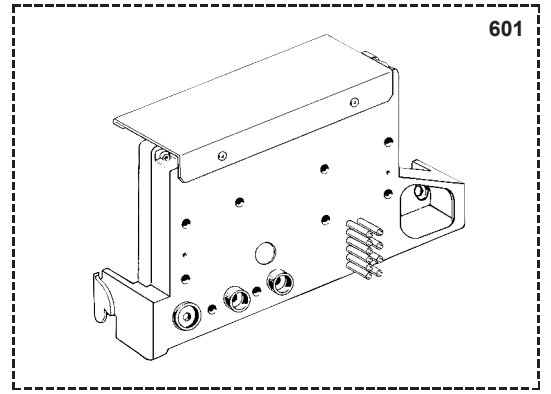
| ☉ | Description | Manf. Pt. N | Type | ELEXIA II 2, 18 OF ELEXIA II 2, 18 VMC ELEXIA II 2, 23 OF ELEXIA II 2, 23 VMC ELEXIA II 2, 23 FF ELEXIA II 2, 23 FF EXT | | | | | | | | | | | | | | | | | |
|-------------|-------------------------------|-------------|------|--|---|---|---|---|---|---|---|---|----|----|----|----|----|----|----|----|----|
| | | | | 1 | 2 | 3 | 4 | 5 | 6 | 7 | 8 | 9 | 10 | 11 | 12 | 13 | 14 | 15 | 16 | 17 | 18 |
| 0100 | BURNER ASSEMBLY | | | | | | | | | | | | | | | | | | | | |
| 0102 | COMBUSTION CHAMBER LINING KIT | 60081722 | | • | • | • | • | • | • | | | | | | | | | | | | |
| 0103 | CLIP | 61010050 | | • | • | • | • | • | • | | | | | | | | | | | | |
| 0104 | OVERHEAT THERMOSTAT 105C | 61010191 | | • | • | • | • | | | | | | | | | | | | | | |
| | OVERHEAT THERMOSTAT 100C | 61010572 | | | | | | • | • | | | | | | | | | | | | |
| 0105 | CROSS LIGHTING STRIP | 61002811 | | | | | | • | • | | | | | | | | | | | | |
| | CROSS LIGHTING STRIP | 61010038 | | • | • | • | • | | | | | | | | | | | | | | |
| 0106 | TAPPING SCREW CBLX D: 6.3-13 | 61010648 | | • | • | • | • | • | • | | | | | | | | | | | | |
| 0107 | BURNER HEAD | 61010415 | | • | • | • | • | | | | | | | | | | | | | | |
| | BURNER HEAD | 61010753 | | | | | | • | • | | | | | | | | | | | | |
| 0109 | GRILLE | 61010223 | | | | | | • | • | | | | | | | | | | | | |
| 0110 | IGNITION ELECTRODE | 61002801 | | • | • | • | • | • | • | | | | | | | | | | | | |
| 0111 | IONIZATION ELECTRODE | 61002802 | | • | • | • | • | • | • | | | | | | | | | | | | |
| 0113 | HEAT EXCHANGER | 61010017 | | • | • | • | • | • | • | | | | | | | | | | | | |
| 0114 | COMBUSTION CHAMBER ASSY | 60081721 | | • | • | • | • | • | • | | | | | | | | | | | | |
| 0115 | TAPPING SCREW CBLX D: 4.2-9.5 | 61010125 | | • | • | • | • | • | • | | | | | | | | | | | | |
| 0116 | DEFLECTOR | 61010392 | | | | | | • | • | | | | | | | | | | | | |
| 0117 | MANIFOLD 16 INJ. | 61010175 | B/P | • | • | • | • | • | • | | | | | | | | | | | | |
| | MANIFOLD 16 INJ. | 61010030 | NAT | • | • | • | • | | | | | | | | | | | | | | |
| | MANIFOLD 16 INJ. | 61010341 | NAT | | | | | • | • | | | | | | | | | | | | |
| 0118 | TAPPING SCREW CBLX D: 4.2-25 | 61010128 | | • | • | • | • | • | • | | | | | | | | | | | | |
| 0119 | SCREW HX M 5-12 | 61010131 | | • | • | • | • | • | • | | | | | | | | | | | | |
| 0120 | SPIRE CLIP | 60057488 | | • | • | • | • | • | • | | | | | | | | | | | | |
| 0200 | FAN ASSEMBLY | | | | | | | | | | | | | | | | | | | | |
| 0201 | SCREW H M 6-12 | 61013098 | | | | | | • | • | | | | | | | | | | | | |
| 0202 | BEND 45 DEG KIT. | 60081726 | | | | | | • | • | | | | | | | | | | | | |
| 0204 | VENTURI D: 3.7 | 61010337 | | | | | | • | • | | | | | | | | | | | | |
| 0205 | GASKET (/Fan assy) | 60081729 | | | | | | • | • | | | | | | | | | | | | |
| 0206 | FAN ASSY | 61010212 | | | | | | • | • | | | | | | | | | | | | |
| 0208 | FAN PLATE MOUNTING | 61010096 | | | | | | • | • | | | | | | | | | | | | |
| 0212 | COMPLETE GASKETS KIT | 60081727 | | | | | | • | • | | | | | | | | | | | | |
| 0213 | CONNECTION M 14x100 | 60061665 | | | | | | • | • | | | | | | | | | | | | |
| 0214 | SILICONE TUBE D: 9x3 L: 1.30M | 60081265 | | | | | | • | • | | | | | | | | | | | | |
| 0216 | AIR PRESSURE SWITCH KIT | 60081725 | | | | | | • | • | | | | | | | | | | | | |
| 0217 | SHEET SCREW CBLX D: 3.5-6.5 | 61010126 | | • | • | • | • | | | | | | | | | | | | | | |
| 0218 | OVERHEAT THERMOSTAT 72C | 61010074 | | • | | • | | | | | | | | | | | | | | | |
| | OVERHEAT THERMOSTAT 54C | 61010358 | | | • | | • | | | | | | | | | | | | | | |
| 0219 | TAPPING SCREW CBLZ D: 3.5-9.5 | 60054033 | | | | | | • | • | | | | | | | | | | | | |
| 0221 | HOOD | 61010589 | | | | | | • | • | | | | | | | | | | | | |
| 0222 | DRAUGHT DIVERTER | 61010117 | | • | | • | | | | | | | | | | | | | | | |
| | DRAUGHT DIVERTER | 61010354 | | | • | | • | | | | | | | | | | | | | | |
| 0228 | TAPPING SCREW CBLX D: 6.3-13 | 61010648 | | • | • | • | • | • | • | | | | | | | | | | | | |
| 0229 | SCREW THZ 5-14 | 61003768 | | | | | | • | • | | | | | | | | | | | | |
| 0300 | SEALED CASE | | | | | | | | | | | | | | | | | | | | |
| 0301 | CLOSURE PLATE | 61010218 | | | | | | • | • | | | | | | | | | | | | |
| 0302 | GASKET (/Connection) | 61010238 | | | | | | • | • | | | | | | | | | | | | |
| 0303 | TOP PANEL BOX KIT | 61010590 | | | | | | • | • | | | | | | | | | | | | |
| 0304 | FOAM SEAL 12.5x5 L: 2.5M | 60081273 | | | | | | • | • | | | | | | | | | | | | |
| 0305 | CASE | 61010106 | | | | | | • | • | | | | | | | | | | | | |
| 0306 | TAPPING SCREW CBLZ D: 4.2-13 | 60079486 | | | | | | • | • | | | | | | | | | | | | |
| 0308 | SPIRE CLIP | 60057488 | | | | | | • | • | | | | | | | | | | | | |
| 0309 | BASE - BOX | 61010588 | | | | | | • | • | | | | | | | | | | | | |
| 0311 | CASE COVER | 60081851 | | | | | | • | • | | | | | | | | | | | | |
| 0313 | TAPPING SCREW CBLZ D: 4.2-19 | 61003114 | | | | | | • | • | | | | | | | | | | | | |
| 0314 | GROMMET | 61010109 | | | | | | • | • | | | | | | | | | | | | |
| 0315 | GROMMET | 60039017 | | | | | | • | • | | | | | | | | | | | | |
| 0316 | GROMMET - DOUBLE | 60042707 | | | | | | • | • | | | | | | | | | | | | |



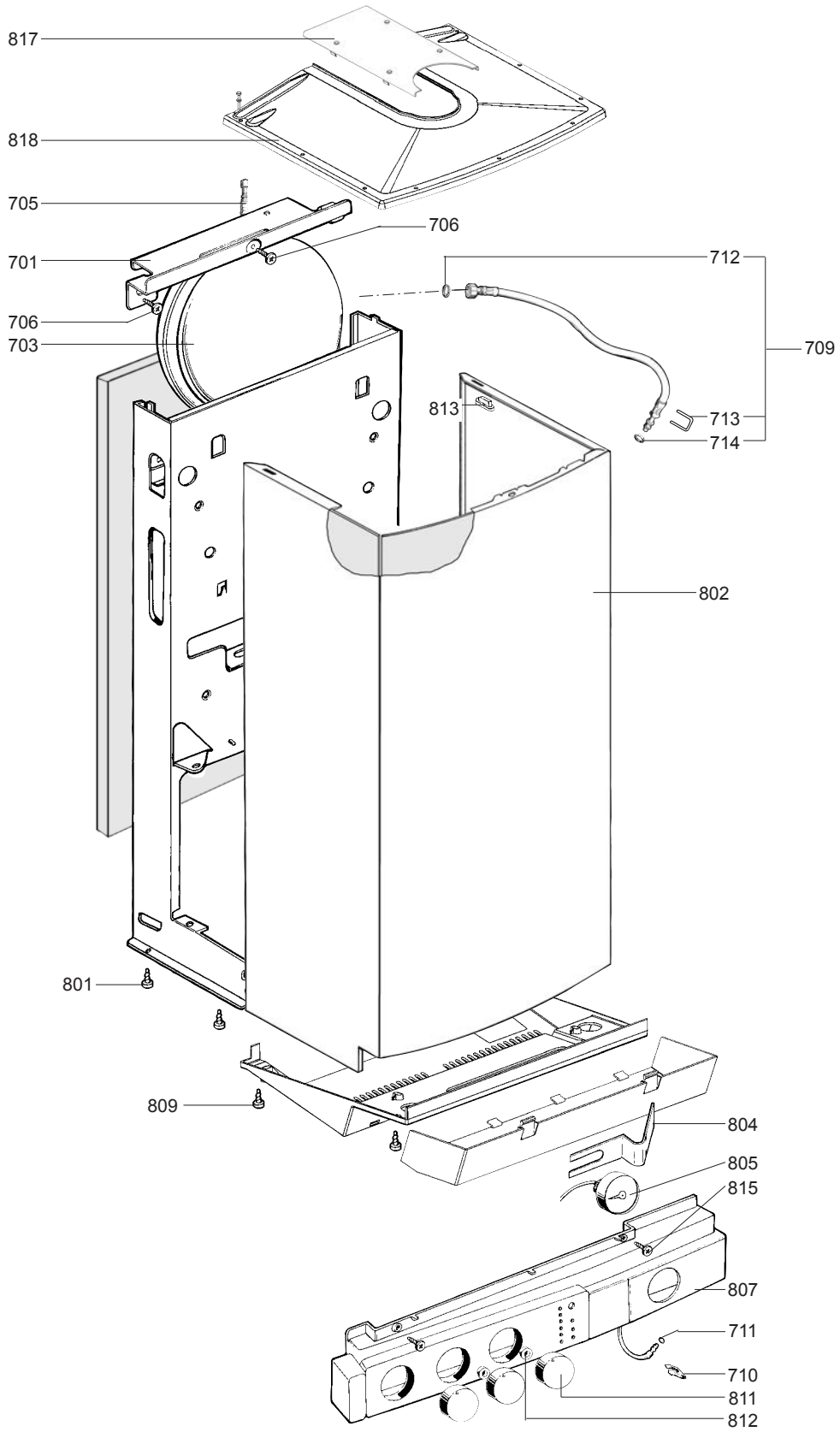
| ☉⇒ | Description | Manf. Pt. N | Type | <div style="display: flex; justify-content: space-between; font-size: small;"> ELEXIA II 2, 18 OF ELEXIA II 2, 18 VMC ELEXIA II 2, 23 OF ELEXIA II 2, 23 VMC ELEXIA II 2, 23 FF ELEXIA II 2, 23 FF EXT </div> | | | | | | | | | | | | | | | | | | 31 |
|------|---------------------------|-------------|------|---|---|---|---|---|---|---|---|---|----|----|----|----|----|----|----|----|----|----|
| | | | | 1 | 2 | 3 | 4 | 5 | 6 | 7 | 8 | 9 | 10 | 11 | 12 | 13 | 14 | 15 | 16 | 17 | 18 | |
| 0400 | GAS SECTION | | | | | | | | | | | | | | | | | | | | | |
| 0401 | GAS VALVE LPG | 61014775 | B/P | | | | • | • | • | • | | | | | | | | | | | | |
| | GAS VALVE NAT | 61013015 | NAT | | | | • | • | • | • | | | | | | | | | | | | |
| | GAS VALVE | 61017380 | NAT | • | • | | | | | | | | | | | | | | | | | |
| 0402 | SOLENOID VALVES KIT LPG | 60081860 | B/P | • | • | • | • | • | • | • | | | | | | | | | | | | |
| | SOLENOID VALVES KIT NAT | 60081859 | NAT | • | • | • | • | • | • | • | | | | | | | | | | | | |
| 0403 | PRESSURE TEST POINT SCREW | 60019445 | | • | • | • | • | • | • | • | | | | | | | | | | | | |
| 0404 | SCREW HX M 5-12 | 61010131 | | • | • | • | • | • | • | • | | | | | | | | | | | | |
| 0405 | BURNER BASE KIT | 60081835 | | • | • | • | • | • | • | • | | | | | | | | | | | | |
| 0406 | GASKET (/Manifold) | 61010071 | | • | • | • | • | • | • | • | | | | | | | | | | | | |
| 0410 | FOAM SEAL 12x7 L: 5M | 60081273-04 | | | | | | | | • | • | | | | | | | | | | | |
| 0411 | GAS SECTION LPG | 61017399 | B/P | • | • | • | • | • | • | • | | | | | | | | | | | | |
| | GAS SECTION NAT | 61017398 | NAT | • | • | • | • | • | • | • | | | | | | | | | | | | |
| 0432 | GASKET (/Solenoid valve) | 61013018 | | • | • | • | • | • | • | • | | | | | | | | | | | | |
| 0434 | O-RING D: 14.1-1.6 | 60021061-41 | | • | • | • | • | • | • | • | | | | | | | | | | | | |
| 0435 | O-RING D: 17.1-1.6 | 60021061-42 | | • | • | • | • | • | • | • | | | | | | | | | | | | |
| 0436 | O-RING D: 22-2.6 | 60021061-40 | | • | • | • | • | • | • | • | | | | | | | | | | | | |
| 0437 | RESTRICTOR D: 6.7 | 61013016-01 | | | | | • | • | • | • | | | | | | | | | | | | |
| | RESTRICTOR D: 3.1 | 61013016-03 | B/P | • | • | | | | | | | | | | | | | | | | | |
| | RESTRICTOR D: 4.6 | 61013016-04 | NAT | • | • | | | | | | | | | | | | | | | | | |
| 0438 | SCREW CLXS M 5-45 | 61014414 | | • | • | • | • | • | • | • | | | | | | | | | | | | |
| 0442 | SCREW CBLXS M 4-20 | 61014415 | | • | • | • | • | • | • | • | | | | | | | | | | | | |
| 0449 | PRESSURE TEST POINT SCREW | 61016378 | | • | • | • | • | • | • | • | | | | | | | | | | | | |



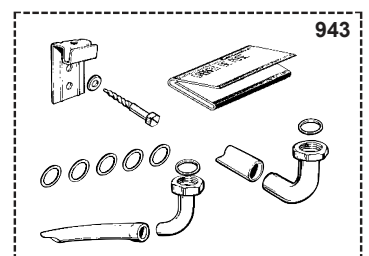
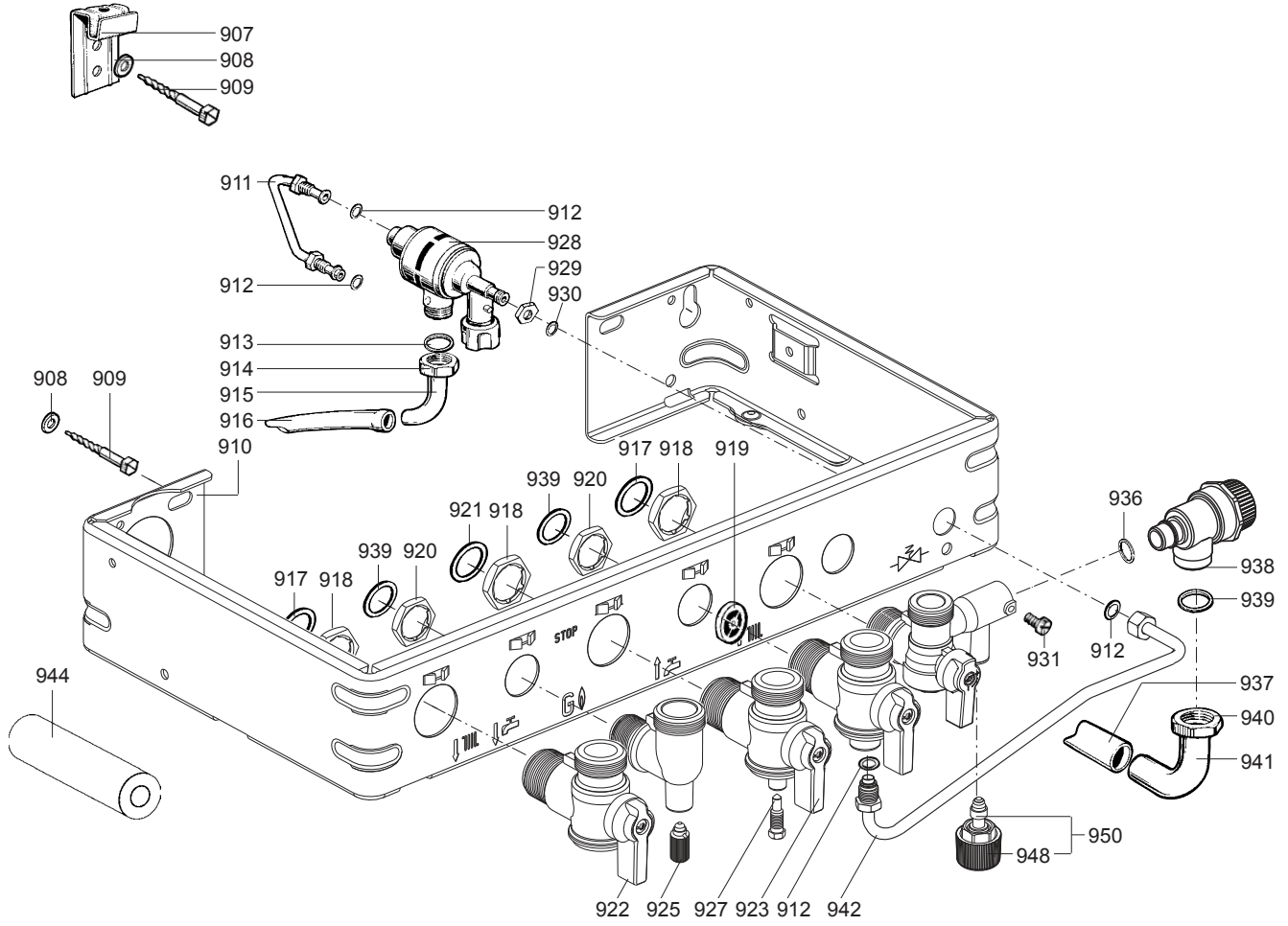
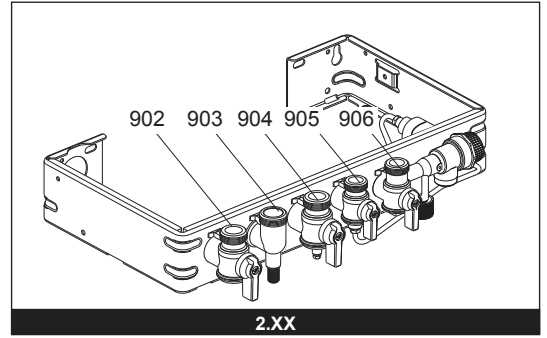
| ☉→ | Description | Manf. Pt. N | Type | <div style="display: flex; justify-content: space-between; align-items: center;"> <div style="writing-mode: vertical-rl; transform: rotate(180deg); font-size: 8px;">ELEXIA II 2, 18 OF</div> <div style="writing-mode: vertical-rl; transform: rotate(180deg); font-size: 8px;">ELEXIA II 2, 18 VMC</div> <div style="writing-mode: vertical-rl; transform: rotate(180deg); font-size: 8px;">ELEXIA II 2, 23 OF</div> <div style="writing-mode: vertical-rl; transform: rotate(180deg); font-size: 8px;">ELEXIA II 2, 23 VMC</div> <div style="writing-mode: vertical-rl; transform: rotate(180deg); font-size: 8px;">ELEXIA II 2, 23 FF</div> <div style="writing-mode: vertical-rl; transform: rotate(180deg); font-size: 8px;">ELEXIA II 2, 23 FF EXT</div> </div> | | | | | | | | | | | | | | | | | | 31 |
|------|---------------------------------|-------------|------|--|---|---|---|---|---|---|---|---|----|----|----|----|----|----|----|----|----|----|
| | | | | 1 | 2 | 3 | 4 | 5 | 6 | 7 | 8 | 9 | 10 | 11 | 12 | 13 | 14 | 15 | 16 | 17 | 18 | |
| 0500 | HYDRAULIC BLOCK | | | | | | | | | | | | | | | | | | | | | |
| 0501 | TUBE-EXCHAN TO 3-WAY VALVE | 61010333 | | • | • | • | • | • | • | | | | | | | | | | | | | |
| 0502 | CLIP | 61010012 | | • | • | • | • | • | • | | | | | | | | | | | | | |
| 0503 | O-RING D: 18.4-2.7 | 60024164-22 | | • | • | • | • | • | • | | | | | | | | | | | | | |
| 0504 | O-RING D: 17-4 | 60024164-51 | | • | • | • | • | • | • | | | | | | | | | | | | | |
| 0505 | THREE-WAY VALVE | 61010000 | | • | • | • | • | • | • | | | | | | | | | | | | | |
| 0508 | MOTOR - THREE-WAY VALVE | 60081953 | | • | • | • | • | • | • | | | | | | | | | | | | | |
| 0509 | DRAIN SCREW ASSY | 60081028 | | • | • | • | • | • | • | | | | | | | | | | | | | |
| 0510 | THERMISTOR TEMP. SENSOR | 61000733 | | • | • | • | • | • | • | | | | | | | | | | | | | |
| 0511 | TEMPERATURE SENSOR CLIP | 61002083 | | • | • | • | • | • | • | | | | | | | | | | | | | |
| 0514 | WATER / WATER HEAT EXCHANGER 14 | 61011164 | | • | • | • | • | • | • | | | | | | | | | | | | | |
| 0515 | SCREW CBLX M 5-40 | 61010129 | | • | • | • | • | • | • | | | | | | | | | | | | | |
| 0516 | CLIP | 61010609 | | • | • | • | • | • | • | | | | | | | | | | | | | |
| 0518 | LEFT HAND HYDRAULIC BLOCK | 61010003 | | • | • | • | • | • | • | | | | | | | | | | | | | |
| 0520 | BYPASS TUBE | 61010044 | | • | • | • | • | • | • | | | | | | | | | | | | | |
| 0521 | TAPPING SCREW CBLX D: 6.3-19 | 61010127 | | • | • | • | • | • | • | | | | | | | | | | | | | |
| 0522 | CLIP | 61010005 | | • | • | • | • | • | • | | | | | | | | | | | | | |
| 0526 | O-RING D: 8.9-2.7 | 61009834-14 | | • | • | • | • | • | • | | | | | | | | | | | | | |
| 0528 | HOT WATER BEND | 61010056 | | • | • | • | • | • | • | | | | | | | | | | | | | |
| 0529 | HEATING FLOW BEND | 61010057 | | • | • | • | • | • | • | | | | | | | | | | | | | |
| 0530 | SHEET GASKET D: 24-17-1.5 | 60061855-19 | | • | • | • | • | • | • | | | | | | | | | | | | | |
| 0531 | HYDRAULIC PLATE | 61010042 | | • | • | • | • | • | • | | | | | | | | | | | | | |
| 0532 | WATER THROTTLE | 60081471 | | • | • | • | • | • | • | | | | | | | | | | | | | |
| 0533 | WATER THROTTLE HEAD | 61002189 | | • | • | • | • | • | • | | | | | | | | | | | | | |
| | WATER THROTTLE HEAD | 61011246 | | | | | | | • | | | | | | | | | | | | | |
| 0535 | BYPASS BODY | 61016387 | | • | • | • | • | • | • | | | | | | | | | | | | | |
| 0537 | O-RING D: 13.6-2.7 | 60024164-18 | | • | • | • | • | • | • | | | | | | | | | | | | | |
| 0538 | CLIP | 61010112 | | • | • | • | • | • | • | | | | | | | | | | | | | |
| 0539 | O-RING D: 1.9-8 | 61009833-34 | | • | • | • | • | • | • | | | | | | | | | | | | | |
| 0540 | ADJUSTING SCREW OF BY-PASS | 61010111 | | • | • | • | • | • | • | | | | | | | | | | | | | |
| 0542 | CLIP | 60079845 | | • | • | • | • | • | • | | | | | | | | | | | | | |
| 0543 | TAPPING SCREW CBLX D: 4.2-9.5 | 61010125 | | • | • | • | • | • | • | | | | | | | | | | | | | |
| 0547 | GAS FILTER | 60037309 | | • | • | • | • | • | • | | | | | | | | | | | | | |
| 0548 | SHEET GASKET D: 24-18.2-1.5 | 60022835-01 | | • | • | • | • | • | • | | | | | | | | | | | | | |
| 0550 | BEND RETURN | 61010055 | | • | • | • | • | • | • | | | | | | | | | | | | | |
| 0551 | GAS TUBE | 61010040 | | • | • | • | • | • | • | | | | | | | | | | | | | |
| 0553 | WATER FILTER | 61007727 | | • | • | • | • | • | • | | | | | | | | | | | | | |
| 0558 | PUMP LEAD (1 SPEED) | 60045641 | | • | • | • | • | • | • | | | | | | | | | | | | | |
| | PUMP LEAD (2 SPEEDS) | 61004115 | | | | | | | • | | | | | | | | | | | | | |
| 0559 | O-RING D: 45-3.5 | 61009833-46 | | • | • | • | • | • | • | | | | | | | | | | | | | |
| 0560 | AIR SEPARATOR HEAD ASSEMBLY | 61002653 | | • | • | • | • | • | • | | | | | | | | | | | | | |
| 0561 | RIGHT HAND HYDRAULIC BLOCK | 61010167 | | • | • | • | • | • | • | | | | | | | | | | | | | |
| 0564 | O-RING D: 24.6-3.6 | 61009834-30 | | • | • | • | • | • | • | | | | | | | | | | | | | |
| 0565 | HEATING FILTER | 61305560 | | • | • | • | • | • | • | | | | | | | | | | | | | |
| 0567 | CLIP | 60030898-03 | | • | • | • | • | • | • | | | | | | | | | | | | | |
| 0569 | EXCHANGER GASKET | 65104334 | | • | • | • | • | • | • | | | | | | | | | | | | | |
| 0570 | HEATING RETURN TUBE | 61010043 | | • | • | • | • | • | • | | | | | | | | | | | | | |
| 0571 | O-RING D: 16-1.9 | 61009833-37 | | • | • | • | • | • | • | | | | | | | | | | | | | |
| 0572 | PUMP UP 15/50 230V | 61010612 | | • | • | • | • | • | • | | | | | | | | | | | | | |
| 0573 | CAPACITOR | 61000652-10 | | • | • | • | • | • | • | | | | | | | | | | | | | |
| 0574 | PLUG M 10-100 | 60015709 | | • | • | • | • | • | • | | | | | | | | | | | | | |
| 0579 | FROST THERMOSTAT 5C | 61011342 | | | | | | | • | | | | | | | | | | | | | |
| 0580 | CABLE - FROT THERMOSAT | 61011470 | | | | | | | • | | | | | | | | | | | | | |
| 0581 | CLIP | 61010050 | | | | | | | • | | | | | | | | | | | | | |



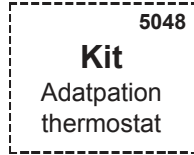
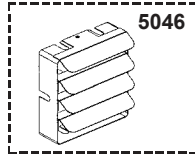
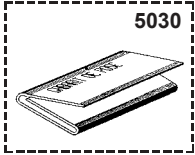
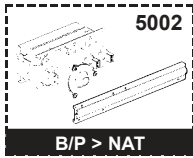
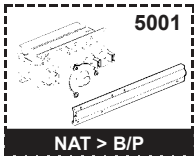
| ☉→ | Description | Manf. Pt. N | Type | <div style="display: flex; justify-content: space-between; font-size: small;"> ELEXIA II 2, 18 OF ELEXIA II 2, 18 VMC ELEXIA II 2, 23 OF ELEXIA II 2, 23 VMC ELEXIA II 2, 23 FF ELEXIA II 2, 23 FF EXT </div> | | | | | | | | | | | | | | | | | | 31 |
|------|--------------------------------|-------------|------|---|---|---|---|---|---|---|---|---|----|----|----|----|----|----|----|----|----|----|
| | | | | 1 | 2 | 3 | 4 | 5 | 6 | 7 | 8 | 9 | 10 | 11 | 12 | 13 | 14 | 15 | 16 | 17 | 18 | |
| 0600 | ELECTRICAL BOX | | | | | | | | | | | | | | | | | | | | | |
| 0601 | ELECTRICAL BOX | 61017548 | | • | • | • | • | • | • | | | | | | | | | | | | | |
| 0602 | SCREW FX90 L:16 | 61020510 | | • | • | • | • | • | • | | | | | | | | | | | | | |
| 0604 | INSTRUCTIONS SUPPORT | 61010329 | | • | • | • | • | • | • | | | | | | | | | | | | | |
| 0605 | CONNECTOR | 61010349 | | • | • | • | • | • | • | | | | | | | | | | | | | |
| 0607 | IGNITER | 61002105-20 | | • | • | • | • | • | • | | | | | | | | | | | | | |
| 0608 | IGNITOR CABLE | 61010151 | | • | • | • | • | • | • | | | | | | | | | | | | | |
| 0609 | CONNECTOR COVER | 61010014 | | • | • | • | • | • | • | | | | | | | | | | | | | |
| 0610 | FAN CABLE | 61010332 | | | | | | • | • | | | | | | | | | | | | | |
| 0611 | WIRE ASSEMBLY | 61015012 | | | | | | • | • | | | | | | | | | | | | | |
| | WIRE ASSEMBLY | 61015073 | | • | | • | | | | | | | | | | | | | | | | |
| | WIRE ASSEMBLY | 61015159 | | | • | | • | | | | | | | | | | | | | | | |
| 0612 | CONNECTION STRIP | 61010152 | | • | • | • | • | • | • | | | | | | | | | | | | | |
| 0613 | TAPPING SCREW TCBL D:4 L:10 | 61020509 | | • | • | • | • | • | • | | | | | | | | | | | | | |
| 0614 | ELECTRICAL BOX COVER | 61010007 | | • | • | • | • | • | • | | | | | | | | | | | | | |
| 0615 | PRINTED CIRCUIT BOARD OF POWER | 61010592 | | • | • | • | • | • | • | | | | | | | | | | | | | |
| 0616 | PRINTED CIRCUIT BOARD OF REGU. | 61012951 | | • | • | • | • | • | • | | | | | | | | | | | | | |
| 0617 | ELECTRIC BOX PLATE | 61010006 | | • | • | • | • | • | • | | | | | | | | | | | | | |
| 0618 | PLUG | 61011316 | | • | • | • | • | • | • | | | | | | | | | | | | | |
| 0619 | PROTECTIVE PLATE | 61010239 | | • | • | • | • | | | | | | | | | | | | | | | |
| 0621 | TRANSMITTER OF LEDS - TEMPERA. | 61010010 | | • | • | • | • | • | • | | | | | | | | | | | | | |
| 0622 | IGNITION PUSH ROD | 61010072 | | • | • | • | • | • | • | | | | | | | | | | | | | |
| 0623 | TRANSMITTER OF LEDS - ON/OFF | 61010011 | | • | • | • | • | • | • | | | | | | | | | | | | | |
| 0627 | FUSE 250V 2A - TEMPORIZED | 61003456 | | • | • | • | • | • | • | | | | | | | | | | | | | |
| 0629 | FUSE 250V 1.25A - TEMPORIZED | 61003635 | | • | • | • | • | • | • | | | | | | | | | | | | | |
| 0630 | EARTH WIRE | 61011585 | | • | • | • | • | • | • | | | | | | | | | | | | | |



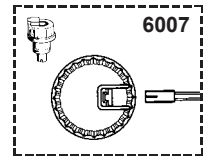
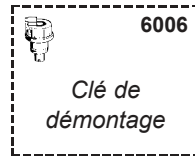
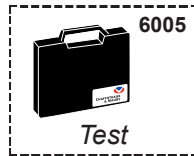
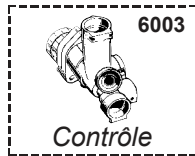
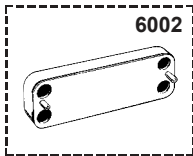
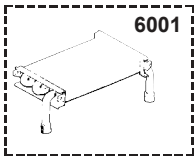
| ☉→ | Description | Manf. Pt. N | Type | <div style="display: flex; justify-content: space-between; font-size: small;"> ELEXIA II 2,18 OF ELEXIA II 2,18 VMC ELEXIA II 2,23 OF ELEXIA II 2,23 VMC ELEXIA II 2,23 FF EXT </div> | | | | | | | | | | | | | | | | | | 31 |
|-------------|--------------------------------|-------------|------|--|---|---|---|---|---|---|---|---|----|----|----|----|----|----|----|----|----|----|
| | | | | 1 | 2 | 3 | 4 | 5 | 6 | 7 | 8 | 9 | 10 | 11 | 12 | 13 | 14 | 15 | 16 | 17 | 18 | |
| 0700 | CHASSIS | | | | | | | | | | | | | | | | | | | | | |
| 0701 | TOP STAY PLATE | 61010029 | | • | • | • | • | • | • | | | | | | | | | | | | | |
| 0703 | EXPANSION VESSEL | 60056676-06 | | • | • | • | • | • | • | | | | | | | | | | | | | |
| 0705 | EXPANSION VESSEL AIR HOSE | 61010170 | | • | • | • | • | • | • | | | | | | | | | | | | | |
| 0706 | TAPPING SCREW CBLX D: 6.3-19 | 61014516 | | • | • | • | • | • | • | | | | | | | | | | | | | |
| 0709 | FLEXIBLE PIPE KIT | 60081824 | | • | • | • | • | • | • | | | | | | | | | | | | | |
| 0710 | CLIP | 61002406 | | • | • | • | • | • | • | | | | | | | | | | | | | |
| 0711 | O RING D: 5.7-1.9 | 61009834-10 | | • | • | • | • | • | • | | | | | | | | | | | | | |
| 0712 | SHEET GASKET D: 12-6-2 | 61308868 | | • | • | • | • | • | • | | | | | | | | | | | | | |
| 0713 | CLIP | 61010005 | | • | • | • | • | • | • | | | | | | | | | | | | | |
| 0714 | O-RING D: 8.9-2.7 | 61009834-14 | | • | • | • | • | • | • | | | | | | | | | | | | | |
| 0800 | FRONT CASE | | | | | | | | | | | | | | | | | | | | | |
| 0801 | TAPPING SCREW CBLX D: 4.2-9.5 | 61010125 | | • | • | • | • | • | • | | | | | | | | | | | | | |
| 0802 | CASE | 61010016 | | • | • | • | • | • | • | | | | | | | | | | | | | |
| | CASE | 61011611 | | | | | | | | • | | | | | | | | | | | | |
| 0804 | SUPPORT BRACKET | 61010095 | | • | • | • | • | • | • | | | | | | | | | | | | | |
| 0805 | PRESSURE GAUGE | 61010256 | | • | • | • | • | • | • | | | | | | | | | | | | | |
| 0807 | SERIGRA. STRIP (WITHOUT PROG.) | 61017134 | | • | • | • | • | • | • | | | | | | | | | | | | | |
| 0809 | TAPPING SCREW CBLX D: 4.2-25 | 61010128 | | | | | | | | • | | | | | | | | | | | | |
| 0811 | WHITE KNOB | 61010254 | | • | • | • | • | • | • | | | | | | | | | | | | | |
| 0812 | CENTRING PIECE | 61010241 | | • | • | • | • | • | • | | | | | | | | | | | | | |
| 0813 | SPACER | 61015797 | | • | • | • | • | • | • | | | | | | | | | | | | | |
| 0815 | SCREW FX90 D: 3.5-16 | 61010133 | | • | • | • | • | • | • | | | | | | | | | | | | | |
| 0817 | CLOSURE PLATE | 61011586 | | | | | | | | • | | | | | | | | | | | | |
| 0818 | ROOF | 61011589 | | | | | | | | • | | | | | | | | | | | | |



5000



6000



| ☉⇒ | Description | Manf. Pt. N | Type | <div style="display: flex; justify-content: space-between; padding: 0 5px;"> ELEXIA II 2.18 OF ELEXIA II 2.18 VMC ELEXIA II 2.23 OF ELEXIA II 2.23 VMC ELEXIA II 2.23 FF ELEXIA II 2.23 FF EXT </div> | | | | | | | | | | | | | | | | | | 31 |
|-------------|--------------------------------|-------------|------|---|---|---|---|---|---|---|---|---|----|----|----|----|----|----|----|----|----|----|
| | | | | 1 | 2 | 3 | 4 | 5 | 6 | 7 | 8 | 9 | 10 | 11 | 12 | 13 | 14 | 15 | 16 | 17 | 18 | |
| 5000 | ACCESSORIES | | | | | | | | | | | | | | | | | | | | | |
| 5001 | CONVERSION KIT NAT > LPG | 61018430 | | • | • | | | | | | | | | | | | | | | | | |
| | CONVERSION KIT NAT > LPG | 61018431 | | | | • | • | • | • | | | | | | | | | | | | | |
| 5002 | CONVERSION KIT BUT/PROP > NAT | 61018426 | | • | • | | | | | | | | | | | | | | | | | |
| | CONVERSION KIT BUT/PROP > NAT | 61018427 | | | | • | • | | | | | | | | | | | | | | | |
| | CONVERSION KIT BUT/PROP > NAT | 61018428 | | | | | | | • | • | | | | | | | | | | | | |
| 5030 | JIG PLATE | 61010073 | | • | • | • | • | • | • | | | | | | | | | | | | | |
| 5041 | ANTIFREEZE KIT | 61011278 | | • | • | • | • | | | | | | | | | | | | | | | |
| | ANTIFREEZE KIT | 61011279 | | | | | | • | | | | | | | | | | | | | | |
| 5042 | INTERFACE SYSTEM - ROOM THERMO | 61012505 | | • | • | • | • | • | • | | | | | | | | | | | | | |
| 5043 | KIT ELEXIA II 2.23VMC>2.18VMC | 61017621 | NAT | | | | | • | | | | | | | | | | | | | | |
| 5046 | DEFLECTOR 30DEG KIT | 61014810 | | | | | | | • | • | | | | | | | | | | | | |
| 5048 | THERMOSTAT ADAPTATION KIT | 61015000 | | • | • | • | • | • | • | | | | | | | | | | | | | |
| 6000 | MAINTENANCE | | | | | | | | | | | | | | | | | | | | | |
| 6001 | DESCALING INTERFACE/HEAT EXCHA | 61014100 | | • | • | • | • | • | • | | | | | | | | | | | | | |
| 6002 | DESCALING INTERFACE/WATER EXCH | 61011075 | | • | • | • | • | • | • | | | | | | | | | | | | | |
| 6003 | SIMULATING BOX 3 WAY VALVE | 61012597 | | • | • | • | • | • | • | | | | | | | | | | | | | |
| 6005 | TEST SUITCASE-SECURITY SYSTEM | 60081881 | | • | • | • | • | • | • | | | | | | | | | | | | | |
| | TEST SUITCASE FOR P.C.B. | 60081882 | | • | • | • | • | • | • | | | | | | | | | | | | | |
| 6006 | SPANNER | 61302650 | | • | | • | | | • | | | | | | | | | | | | | |
| 6007 | STOPPED W/THROT. CONNECTOR KIT | 61306970 | | • | | • | | | • | | | | | | | | | | | | | |

LIST OF THE ABBREVIATIONS

| | |
|-------------|--|
| HW | : Hot water. |
| CW | : Cold water. |
| C | : Ceramic resistance (normal heating). |
| Ca | : Ceramic resistance (accelerated heating) |
| TP | : Immersion heater. |
| 1F | : With fittings. |
| 2F | : Without fittings. |
| 3F | : With fittings and another outlet connection. |
| AMI | : With mixing valve. |
| SMI | : Without mixing valve. |
| PUISS | : Power of th appliance. |
| PN | : Appliance with normal pression. |
| LP | : Appliance with low pression. |
| PV | : Appliance with variable power. |
| PF | : Appliance with fixed power. |

IDENTIFICATION PLATE

SERIAL NUMBER

| | | | |
|-----------------------------|---------------------------|-----------------------------------|--|
| 10 Characters : | 04 05 125 011 | | |
| | | Sequential number | |
| | | Manufacturing day | |
| | | Year of manufacture | |
| 11 Characters : | 1 95 065004 - 31 | | |
| Month of manufacture : | | Technical number of the appliance | |
| from 1 to 9 → Jan. to Sep., | | Sequential number | |
| O → Oct., N → Nov., | | Year of manufacture | |
| D → Dec. | | | |
| 19 Characters : | 08 05 0013199 900640031 | | |
| Year of manufacture | | Product reference | |
| Month of manufacture | | Sequential number | |
| 20 Characters : | 3675007 XX 2 07 070 00315 | | |
| Product reference | | Sequential number | |
| Millenium of manufacture | | Manufacturing day | |
| | | Year of manufacture | |
| 21 Characters : | 3675007 XX 07 070 0000315 | | |
| Product reference | | Sequential number | |
| Year of manufacture | | Manufacturing day | |

The indications mentioned on the prices, commercial or technical literature and the scheme are written for your guidance and are available at a given time. The CONSTRUCTOR retains the power to modify the presentation, the form, the size, the conception or the material of the products.