

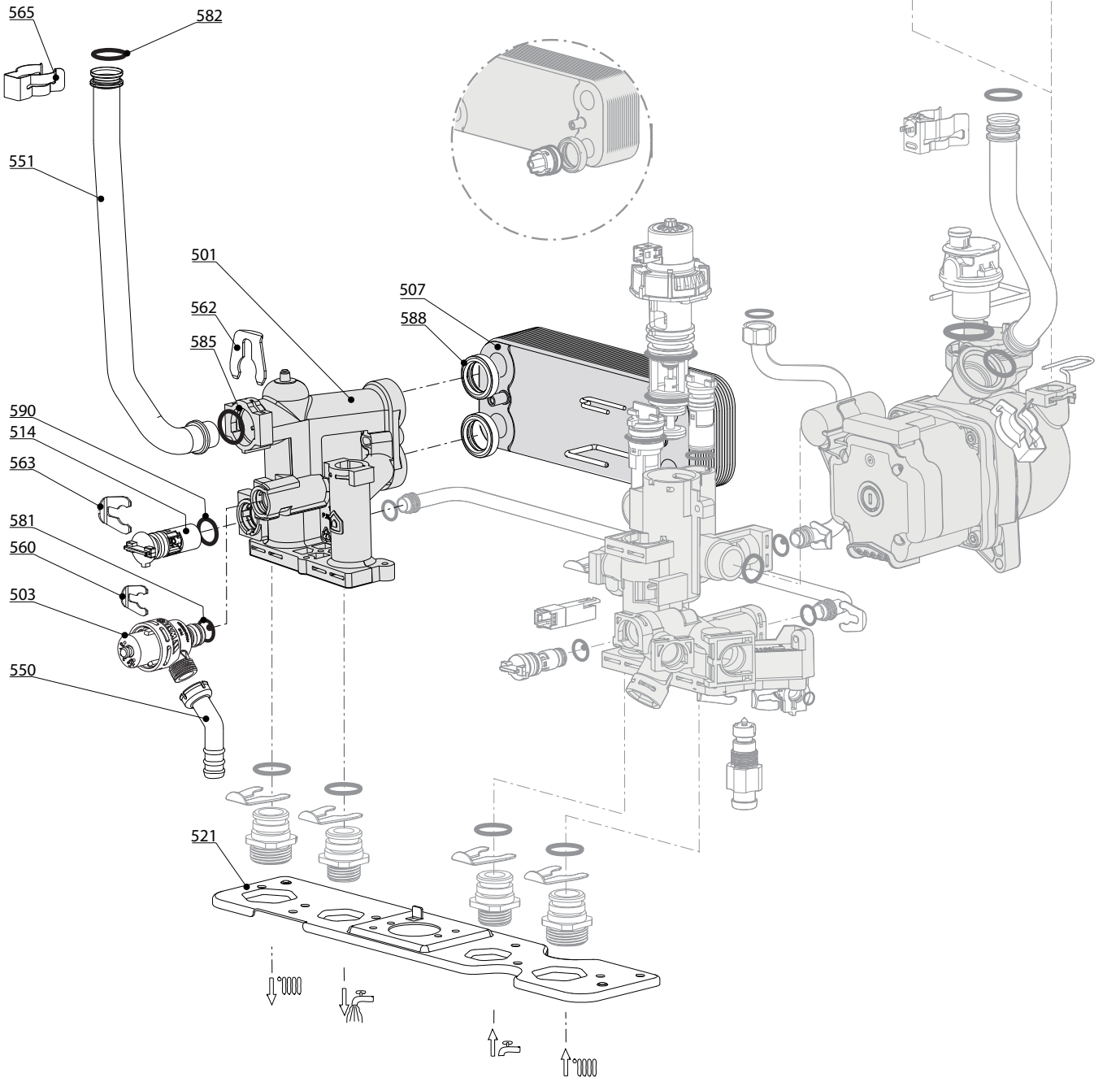
SPARE PARTS EXPLODED VIEW GAS-WALL CONDENSING BOILERS

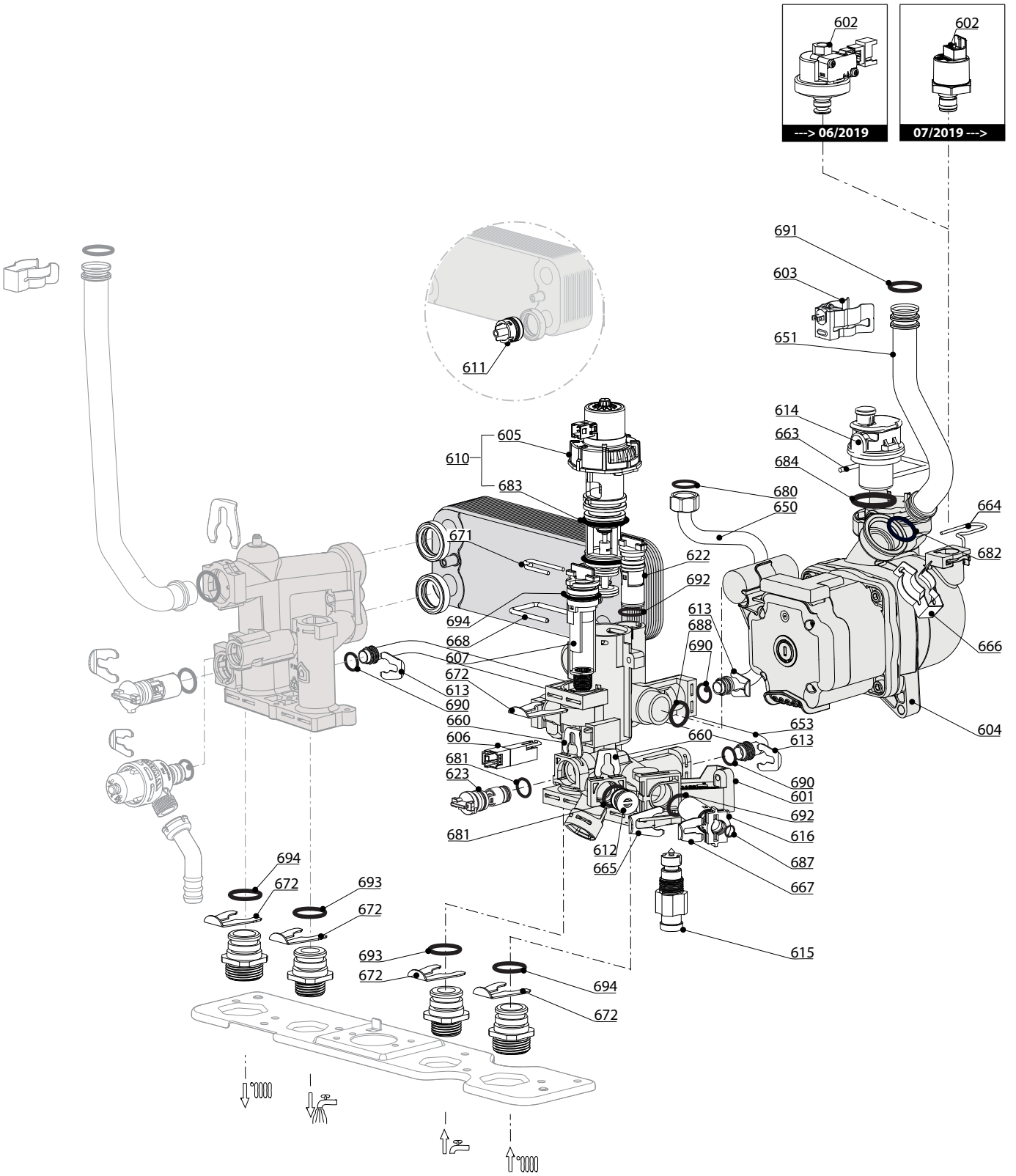
Model

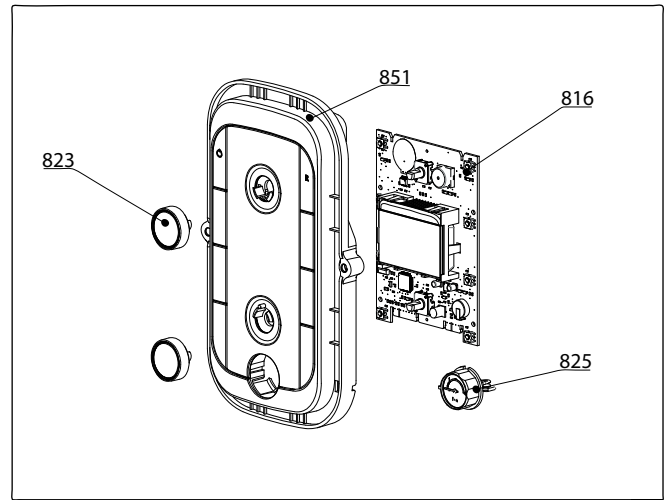
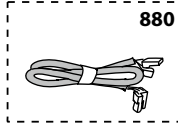
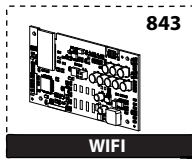
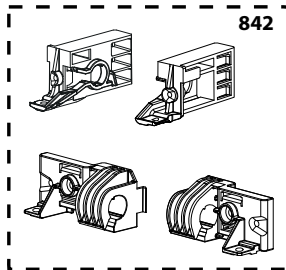
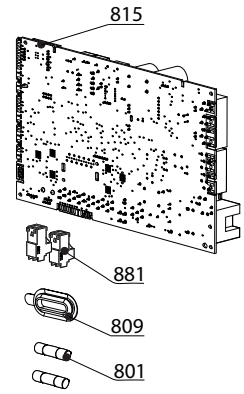
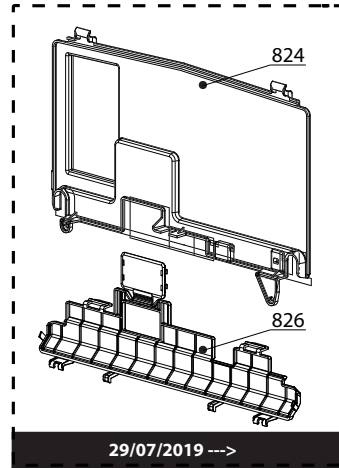
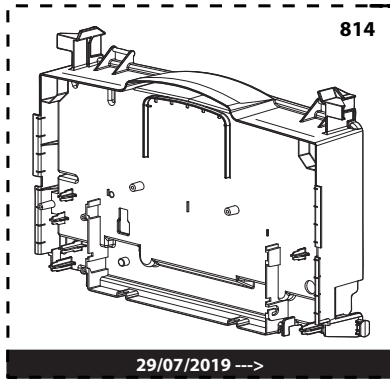
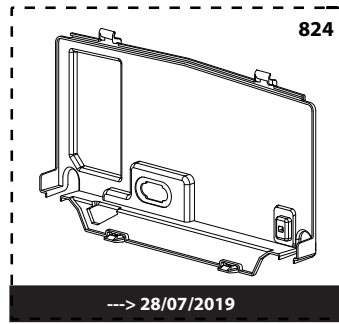
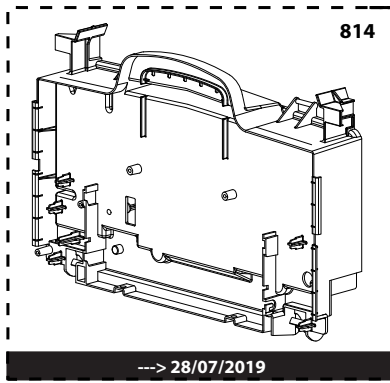
MIRA C GREEN LINK

R8203507-05 - 18/03/2021

1	3310601	MIRA C GREEN LINK 25 FR	03-2018	-
2	3310602	MIRA C GREEN LINK 30 FR	03-2018	-
3	3310603	MIRA C GREEN LINK 35 FR	03-2018	-
Col	Reference	Model type	Begin	End







5000

5001	5002	5004	5020
Transf. gaz G31 Conv. gas G31 Trasf. gas G31 Transf. gas G31	Transf. gaz G23 Conv. gas G25 Trasf. gas G25 Transf. gas G25	Transf. gaz G130/25/2350 Conv. gas G130/25/2350 Trasf. gas G130/25/2350 Transf. gas G130/25/2350	Options Accessories Opzioni Accessorio

LIST OF THE ABBREVIATIONS

HW	: Hot water.
CW	: Cold water.
C	: Ceramic resistance (normal heating).
Ca	: Ceramic resistance (accelerated heating)
TP	: Immersion heater.
1F	: With fittings.
2F	: Without fittings.
3F	: With fittings and another outlet connection.
AMI	: With mixing valve.
SMI	: Without mixing valve.
PUISS	: Power of th appliance.
PN	: Appliance with normal pression.
LP	: Appliance with low pression.
PV	: Appliance with variable power.
PF	: Appliance with fixed power.

IDENTIFICATION PLATE

SERIAL NUMBER

10 Characters :	04 05 125 011	Sequential number
		Manufacturing day
		Year of manufacture
11 Characters :	1 95 065004 - 31	Technical number of the appliance
Month of manufacture :		Sequential number
from 1 to 9 → Jan. to Sep.,		Year of manufacture
O → Oct., N → Nov.,		
D → Dec.		
19 Characters :	08 05 0013199 900640031	Product reference
Year of manufacture		Sequential number
Month of manufacture		
20 Characters :	3675007 XX 2 07 070 00315	Sequential number
Product reference		Manufacturing day
Millenium of manufacture		Year of manufacture
21 Characters :	3675007 XX 07 070 0000315	Sequential number
Product reference		Manufacturing day
Year of manufacture		