

# SPARE PARTS EXPLODED VIEW GAS WALL BOILERS

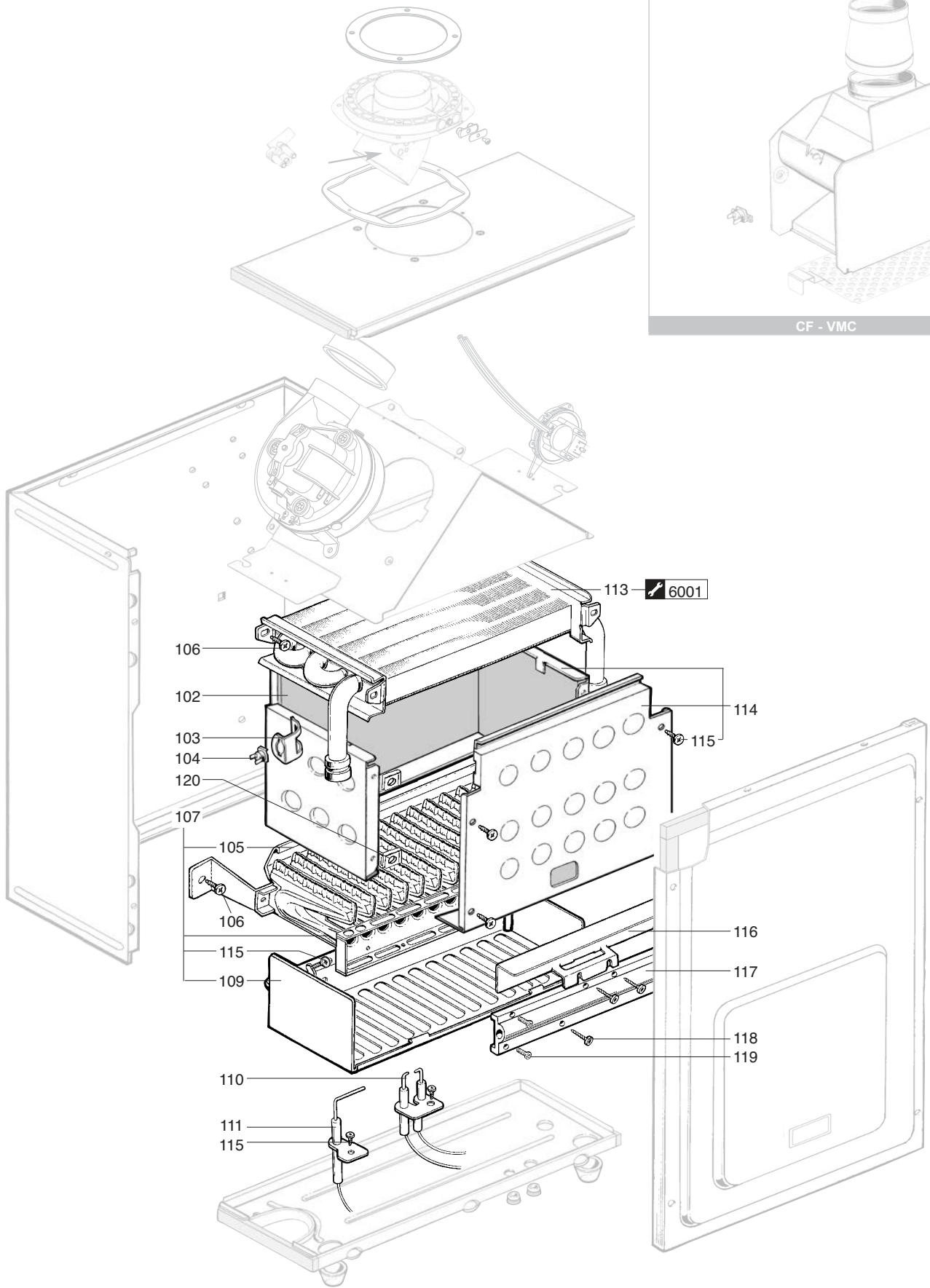
Model

## **CENTORA**

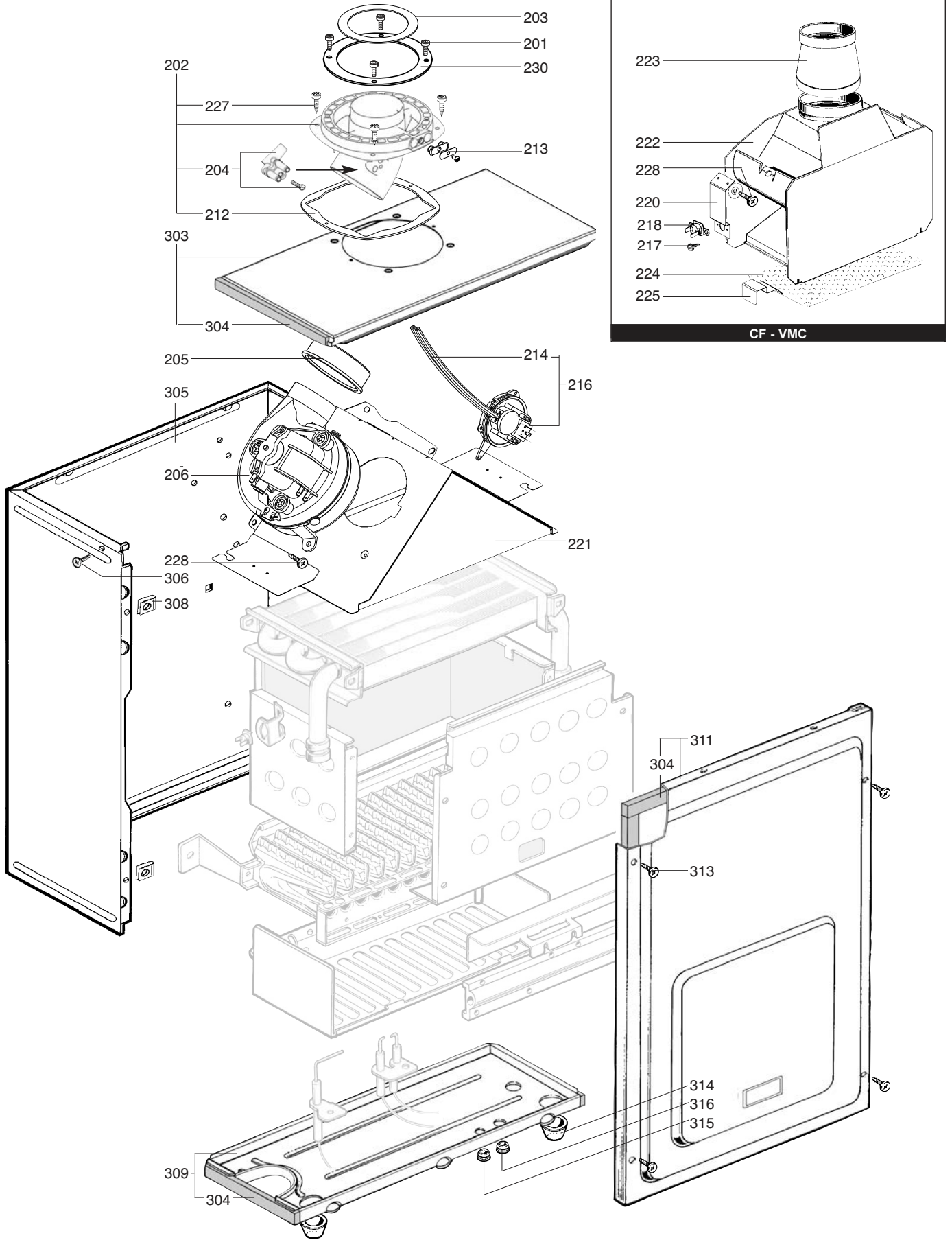
R8202565-11 - 23/03/2012

1	200005779031	CENTORA 1.14 CF NAT	07/01	11/07
2	200007779031	CENTORA 3.14 CF NAT	07/01	11/07
2	3650045	CENTORA 3.14 CF NAT	02/05	11/07
3	200007779036	CENTORA 3.14 VMC NAT	07/01	11/07
4	200005781031	CENTORA 1.24 CF NAT	01/02	11/07
5	200005781037	CENTORA 1.24 FF NAT	01/02	11/07
6	200006781031	CENTORA 2.24 CF NAT	11/01	11/07
6	200006781021	CENTORA 2.24 CF B/P	11/01	11/07
6	200006781041	CENTORA 2.24 CF GPO	07/02	11/07
7	200006781036	CENTORA 2.24 VMC NAT	06/01	11/07
7	200006781046	CENTORA 2.24 VMC GPO	04/02	11/07
8	200006781037	CENTORA 2.24 FF NAT	11/01	11/07
8	200006781027	CENTORA 2.24 FF B/P	11/01	11/07
8	200006781047	CENTORA 2.24 FF GPO	08/02	11/07
9	200007781031	CENTORA 3.24 CF NAT	04/02	11/07
9	3650046	CENTORA 3.24 CF NAT	02/05	01/08
10	200007781036	CENTORA 3.24 VMC NAT	04/02	11/07
11	200007781037	CENTORA 3.24 FF NAT	04/02	11/07
11	3650047	CENTORA 3.24 FF NAT	02/05	11/07
12	200006783031	CENTORA 2.28 CF NAT	11/01	11/07
13	200006783021	CENTORA 2.28 FF B/P	07/01	11/07

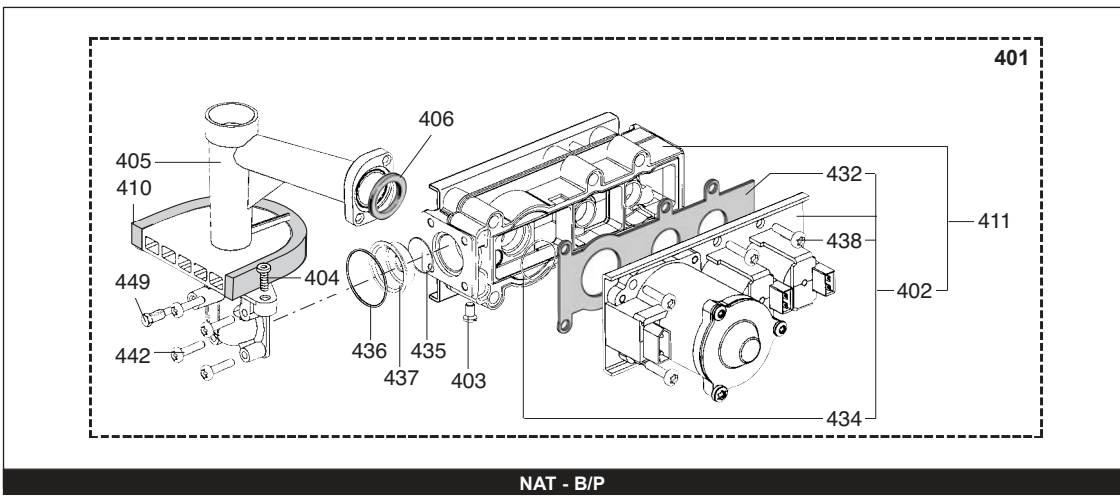
Col	Reference	Model type	Begin	End
-----	-----------	------------	-------	-----



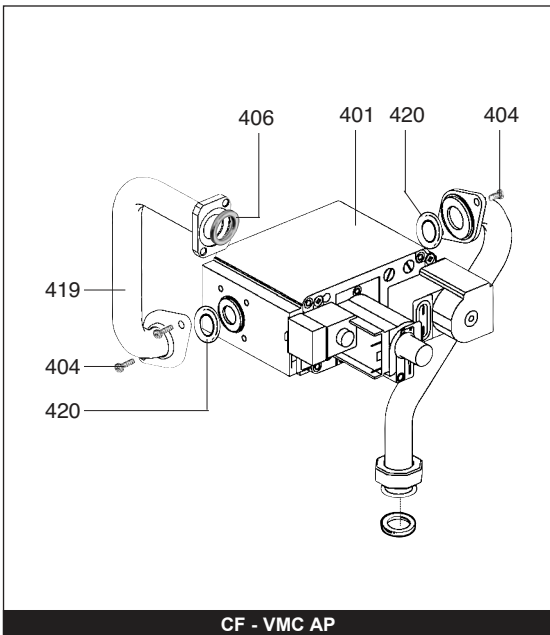
☰	Description	Manf. Pt. N	Type	<div style="display: flex; justify-content: space-between; font-size: small;"> <span>CENTORA 1-14 CF</span> <span>CENTORA 3-14 CF</span> <span>CENTORA 3-14 VMC</span> <span>CENTORA 1-14 CF</span> <span>CENTORA 1-14 FF</span> <span>CENTORA 2-24 CF</span> <span>CENTORA 2-24 VMC</span> <span>CENTORA 3-24 FF</span> <span>CENTORA 3-24 CF</span> <span>CENTORA 3-24 VMC</span> <span>CENTORA 2-28 CF</span> <span>CENTORA 2-28 FF</span> </div>																		31
				1	2	3	4	5	6	7	8	9	10	11	12	13	14	15	16	17	18	
0100	<b>BURNER ASSEMBLY</b>																					
0102	COMBUSTION CHAMBER LINING KIT	60081722		•	•	•	•	•	•	•	•	•	•	•								
0103	CLIP	61010050		•	•	•	•	•	•	•	•	•	•	•								
0104	OVERHEAT THERMOSTAT 105C	61010191		•	•	•	•	•	•	•	•	•	•	•								
	OVERHEAT THERMOSTAT 100C	61010572						•		•			•									
0105	CROSS LIGHTING STRIP	61002811						•		•			•									
	CROSS LIGHTING STRIP	61010038		•	•	•	•	•	•	•	•	•	•	•								
0106	TAPPING SCREW CBLX D: 6.3-13	61010648		•	•	•	•	•	•	•	•	•	•	•	•							
0107	BURNER HEAD	61010415		•	•	•	•	•	•	•	•	•	•	•								
	BURNER HEAD	61010753						•		•			•									
0109	GRILLE	61010223						•		•			•									
0110	IGNITION ELECTRODE	61015740	AP					•	•	•												
	IGNITION ELECTRODE	61002801	B/P-NAT	•	•	•	•	•	•	•	•	•	•	•	•				12/06			
	IGNITION ELECTRODE	61015740	B/P-NAT	•	•	•	•	•	•	•	•	•	•	•	•				11/06			
0111	IONIZATION ELECTRODE	61002802		•	•	•	•	•	•	•	•	•	•	•	•							
0113	HEAT EXCHANGER	61010017		•	•	•	•	•	•	•	•	•	•	•								
	HEAT EXCHANGER	61010754																				
	HEAT EXCHANGER	61011136																				
0114	COMBUSTION CHAMBER ASSY	60081721		•	•	•	•	•	•	•	•	•	•	•	•							
0115	TAPPING SCREW CBLX D: 4.2-9.5	61010125		•	•	•	•	•	•	•	•	•	•	•	•							
0116	DEFLECTOR	61010392						•		•			•									
	DEFLECTOR	61011642																				
0117	MANIFOLD 16 INJ.	61010175	B/P					•		•												
	MANIFOLD 16 INJ.	61010030	NAT	•	•	•	•	•	•	•	•	•	•	•	•							
	MANIFOLD 16 INJ.	61010341	NAT					•		•			•									
	MANIFOLD 16 INJ.	61011305	NAT																			
0118	TAPPING SCREW CBLX D: 4.2-25	61010128		•	•	•	•	•	•	•	•	•	•	•	•							
0119	SCREW HX M 5-12	61010131		•	•	•	•	•	•	•	•	•	•	•	•							
0120	SPIRE CLIP	60057488		•	•	•	•	•	•	•	•	•	•	•	•							



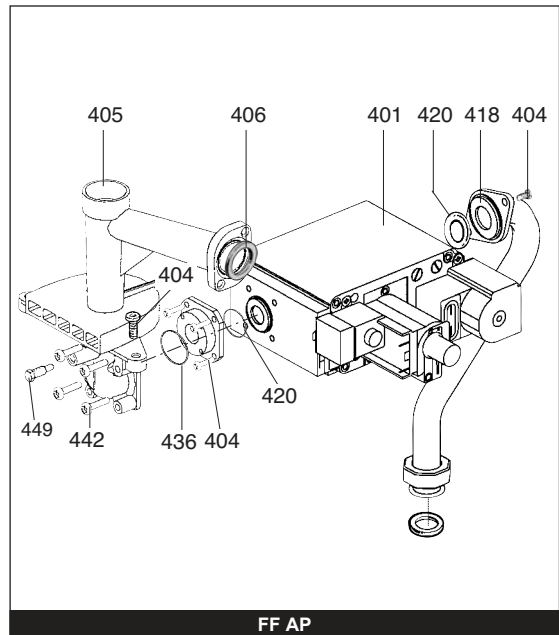
☉⇒	Description	Manf. Pt. N	Type	CENTORA 1-14 CF CENTORA 3-14 CF CENTORA 3-14 VMC CENTORA 1-14 CF CENTORA 1-14 FF CENTORA 2-24 CF CENTORA 2-24 VMC CENTORA 2-24 FF CENTORA 3-24 CF CENTORA 3-24 VMC CENTORA 2-28 CF CENTORA 2-28 FF																		31
				1	2	3	4	5	6	7	8	9	10	11	12	13	14	15	16	17	18	
<b>0200</b>	<b>FAN ASSEMBLY</b>																					
0201	SCREW CLX M 5-20	61017600						●		●		●		●								
0202	FLUE CONNECTION	60000735						●		●		●		●								
	FLUE CONNECTION	61306695						●		●		●		●								
0203	RESTRICTOR D:61 KIT	60000736						●		●		●		●								
	RESTRICTOR D:65 KIT	60000737						●		●		●		●								
0204	VENTURI	61310050						●		●		●		●								
0205	GASKET	61303825						●		●		●		●								
0206	FAN ASSY	61304720						●		●		●		●								
	FAN ASSY 1V 30FF	61304721						●		●		●		●								
0212	GASKET	61300262						●		●		●		●								
0213	PLUG KIT	61306698						●		●		●		●								
0214	SILICONE TUBE D: 9x3 L: 1.30M	60081265						●		●		●		●								
0216	AIR PRESSURE SWITCH 24KW	61306697						●		●		●		●								
	AIR PRESSURE SWITCH 28KW	61307335						●		●		●		●								
0217	SHEET SCREW CBLX D: 3.5-6.5	61010126		●	●	●	●		●	●		●	●		●							
0218	OVERHEAT THERMOSTAT 72C	61010074													●							
	OVERHEAT THERMOSTAT 52C	61310142		●	●																	
	OVERHEAT THERMOSTAT 72C	61010074	AP						●													
	OVERHEAT THERMOSTAT 54C	61010358	AP							●												
	THERMOSTAT (SAFETY - 70C)	61012479	B/P						●													
	THERMOSTAT (SAFETY - 70C)	61012479	NAT				●		●			●										
	OVERHEAT THERMOSTAT 49C	61310767	NAT			●				●			●									
0220	SUPPORT BRACKET	61012482				●																
0221	HOOD	61304712						●		●			●									
	HOOD	61304713						●		●			●									
0222	DRAUGHT DIVERTER	61010117				●			●			●										
	DRAUGHT DIVERTER	61011170													●							
	DRAUGHT DIVERTER	61308490													●							
	DRAUGHT DIVERTER	61010354	AP							●												
	DRAUGHT DIVERTER	61308490	NAT							●												
0223	FLUE SPIGOT D: 112	61009894		●	●																	
0224	GRILLE	61011760		●	●	●																
0225	CLIP	61011761		●	●	●																
0227	TAPPING SCREW CBLX D:4.2-12.5	61010847						●		●		●		●								
0228	TAPPING SCREW CBLX D: 6.3-13	61010648		●	●	●	●	●	●	●	●	●	●	●	●	●	●	●	●			
0230	GASKET (/ Flue bend turret)	61300258						●		●		●		●								
<b>0300</b>	<b>SEALED CASE</b>																					
0303	TOP PANEL BOX	61305438						●		●		●		●								
0304	FOAM SEAL 12.5x5 L: 2.5M	60081273						●		●		●		●								
0305	CASE	61010106						●		●		●		●								
0306	TAPPING SCREW CBLZ D: 4.2-13	60079486						●		●		●		●								
0308	SPIRE CLIP	60057488						●		●		●		●								
0309	BASE - BOX	61010588						●		●		●		●								
0311	CASE COVER	60081851						●		●		●		●								
0313	TAPPING SCREW CBLZ D: 4.2-19	61003114						●		●		●		●								
0314	GROMMET	61010109						●		●		●		●								
0315	GROMMET	60039017						●		●		●		●								
0316	GROMMET - DOUBLE	60042707						●		●		●		●								



NAT - B/P

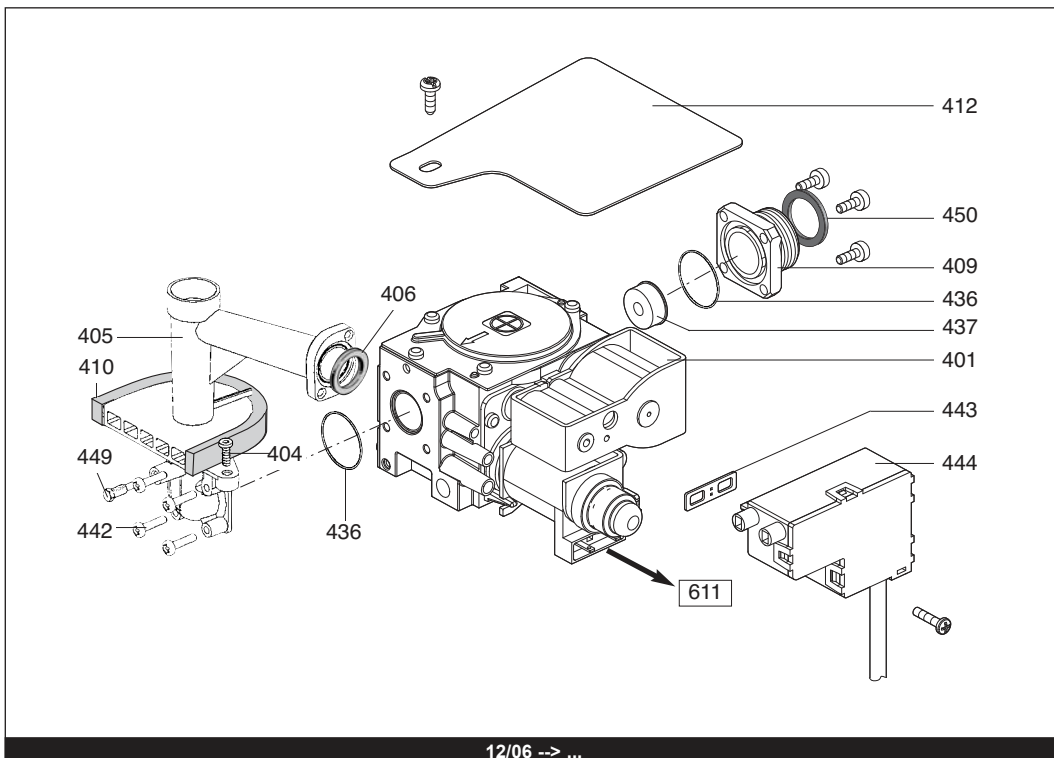


CF - VMC AP



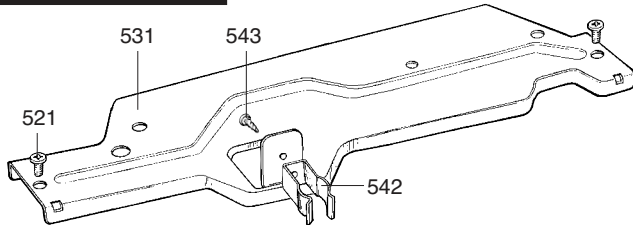
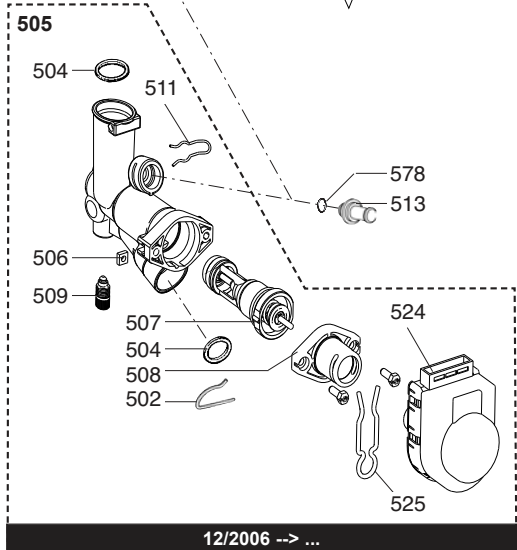
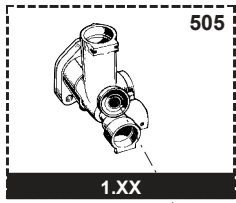
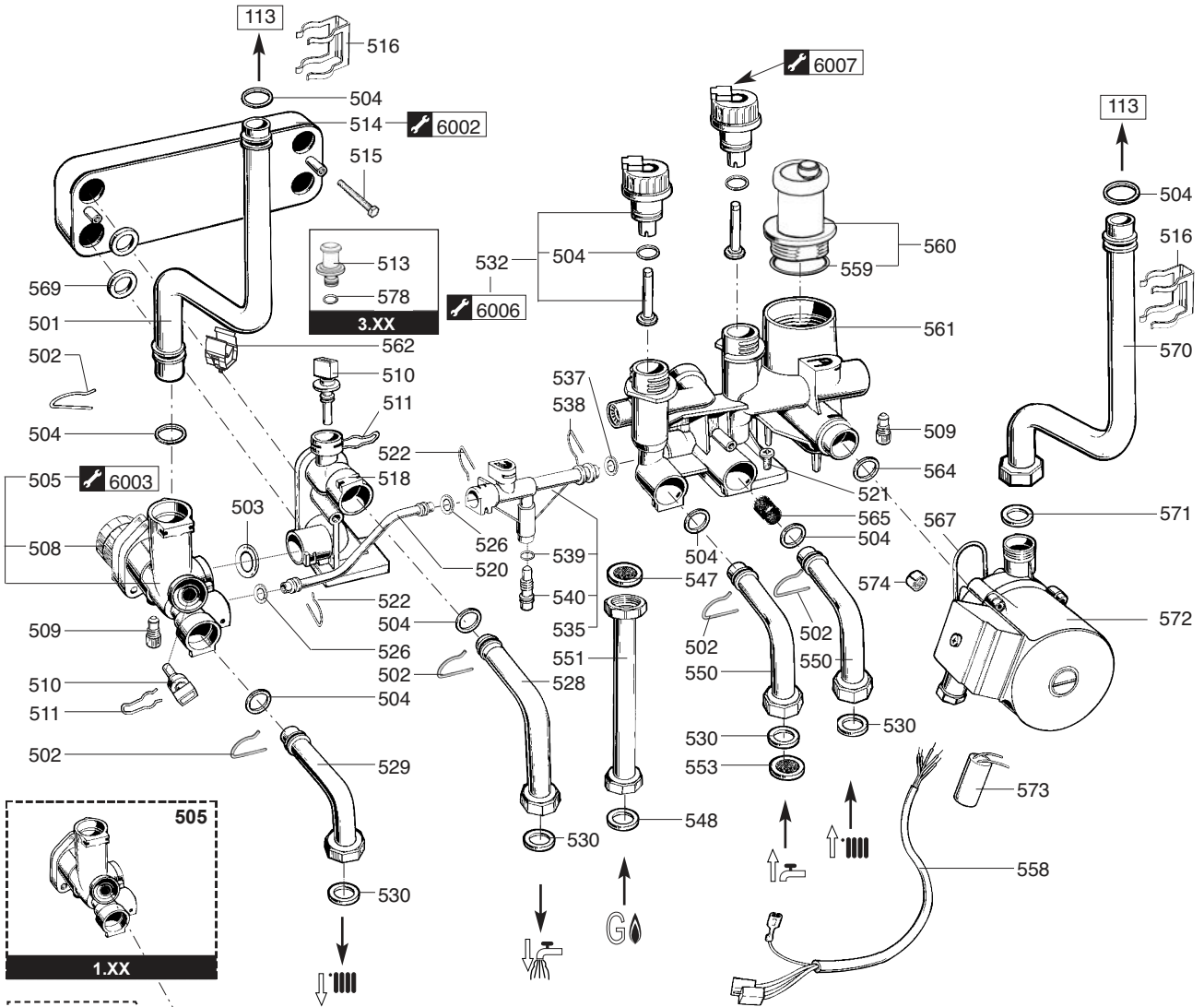
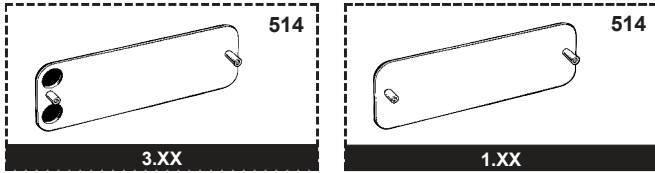
FF AP

... --> 11/06



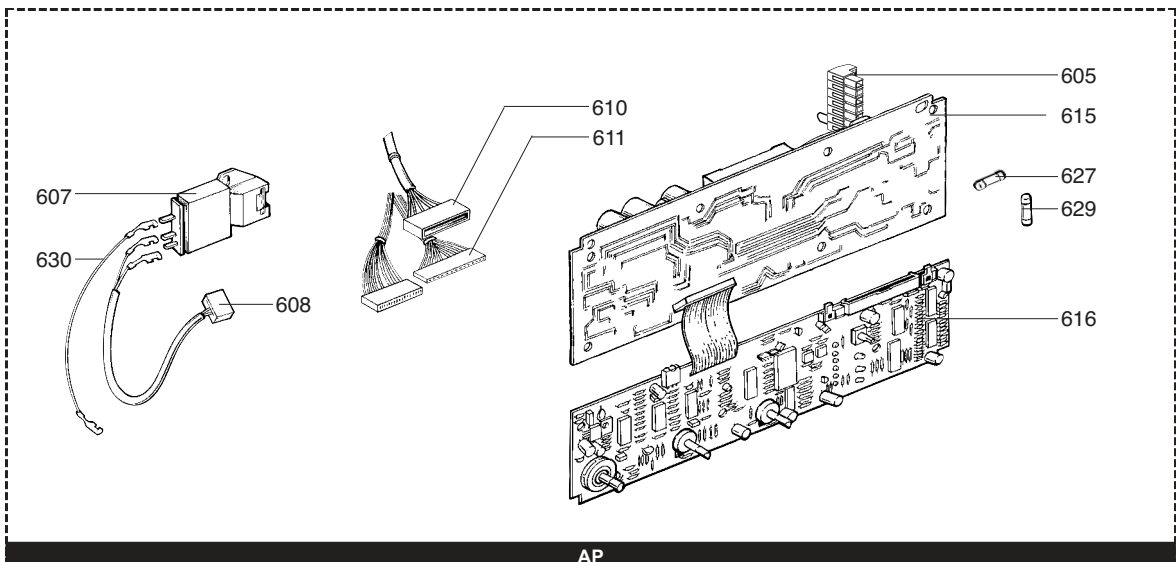
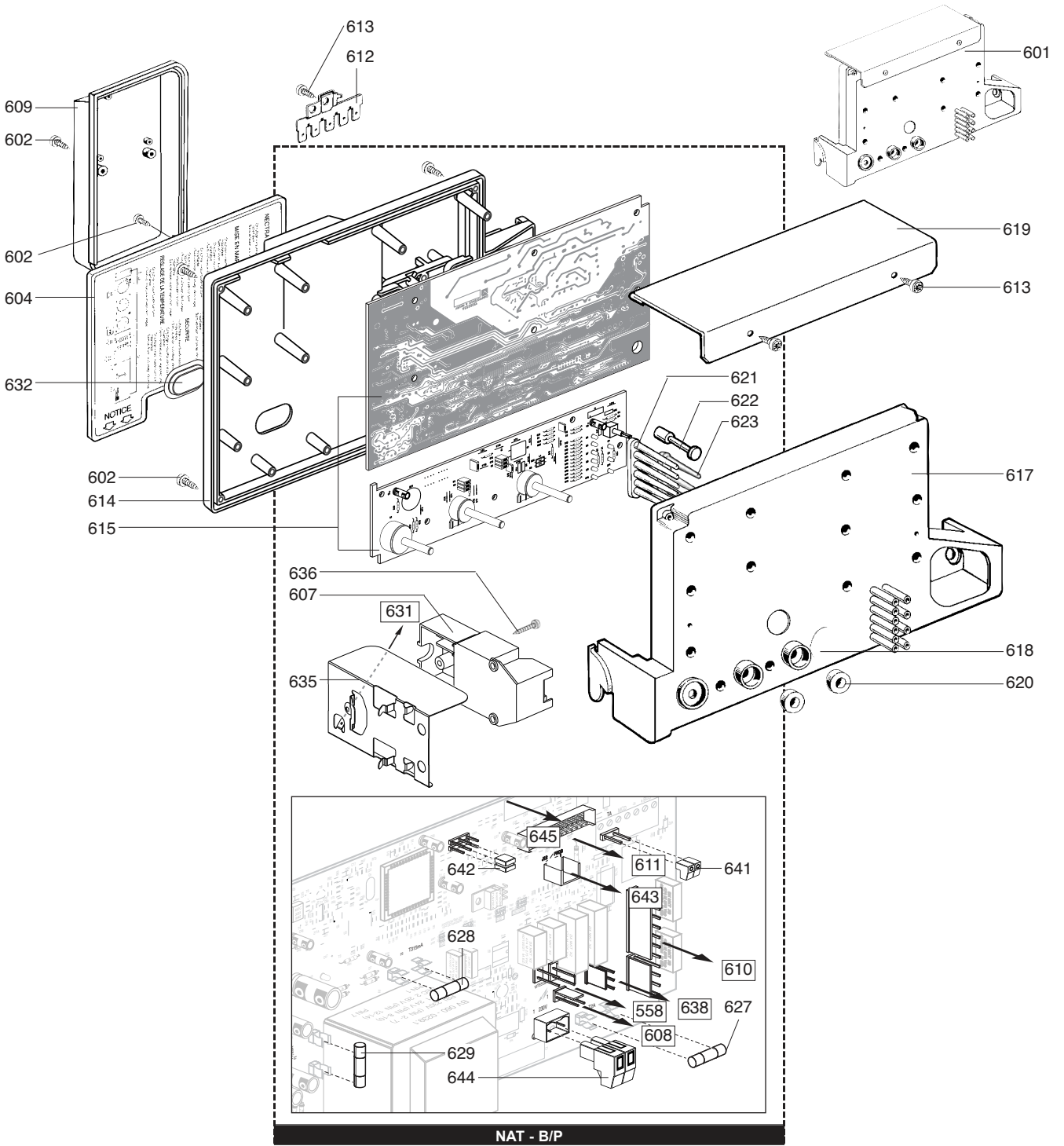
12/06 --> ...

☉⇒	Description	Manf. Pt. N	Type																			31
				1	2	3	4	5	6	7	8	9	10	11	12	13	14	15	16	17	18	
0400	<b>GAS SECTION</b>																					
0401	GAS VALVE GPO	61010794	AP						●	●	●											
	GAS VALVE LPG	61014775	B/P							●									11/06			
	GAS VALVE LPG	61304996	B/P						●										11/06			
	GAS VALVE	60000586	B/P-NAT	●	●	●	●	●	●	●	●	●	●	●	●	●	●	●	12/06			
	GAS VALVE NAT	61013015	NAT				●			●			●						11/06			
	GAS VALVE NAT	61015664	NAT											●					11/06			
	GAS VALVE	61020775	NAT	●	●	●													11/06			
	GAS VALVE NAT	61304994	NAT			●		●	●		●	●							11/06			
0402	SOLENOID VALVES KIT LPG	60081860	B/P					●		●												
	SOLENOID VALVES KIT NAT	60081859	NAT	●	●	●	●	●	●	●	●	●	●	●	●	●	●	●				
0403	PRESSURE TEST POINT SCREW	60019445		●	●	●	●	●	●	●	●	●	●	●	●	●	●	●				
0404	SCREW HX M 5-12	61010131		●	●	●	●	●	●	●	●	●	●	●	●	●	●	●				
0405	BURNER BASE KIT	60081835		●	●	●	●	●	●	●	●	●	●	●	●	●	●	●				
0406	GASKET (/Manifold)	61010071		●	●	●	●	●	●	●	●	●	●	●	●	●	●	●				
0409	CLAMP	60000578		●	●	●	●	●	●	●	●	●	●	●	●	●	●	●				
0410	FOAM SEAL 12x7 L: 5M	60081273-04						●		●			●		●							
0411	GAS SECTION LPG	61017399	B/P					●		●												
	GAS SECTION NAT	61017398	NAT	●	●	●	●	●	●	●	●	●	●	●	●	●	●	●				
0412	PANEL	60000579		●	●	●	●		●	●		●	●		●							
0418	UPPER GAS TUBE	61016313	AP							●												
0419	DOWN GAS TUBE	61010858	AP						●	●												
0420	O-RING D: 28.24-2.62	60022113-13	AP						●	●												
0432	GASKET (/Solenoid valve)	61013018		●	●	●	●	●	●	●	●	●	●	●	●	●	●	●				
0434	O-RING D: 14.1-1.6	60021061-41		●	●	●	●	●	●	●	●	●	●	●	●	●	●	●				
0435	O-RING D: 17.1-1.6	60021061-42		●	●	●	●	●	●	●	●	●	●	●	●	●	●	●				
0436	O-RING D: 22-2.6	60021061-40		●	●	●	●	●	●	●	●	●	●	●	●	●	●	●				
0437	RESTRICTOR D: 5.75	60000648					●		●	●		●	●						12/06			
	RESTRICTOR D: 4.9	60000649						●		●		●	●		●				12/06			
	RESTRICTOR D: 6.7	61013016-01						●		●		●	●		●				11/06			
	RESTRICTOR D: 8.0	61013016-08					●		●	●		●	●		●				11/06			
	RESTRICTOR D: 3.8	61013016-11		●	●	●					●	●							11/06			
	RESTRICTOR D: 7	60000650	NAT											●					12/06			
	RESTRICTOR D: 6.7	60000651	NAT														●		12/06			
	RESTRICTOR D: 3.45	60000913	NAT		●	●													12/06			
0438	SCREW CLXS M 5-45	61014414		●	●	●	●	●	●	●	●	●	●	●	●	●	●	●				
0442	SCREW CBLXS M 4-20	61014415		●	●	●	●	●	●	●	●	●	●	●	●	●	●	●				
0443	GASKET (SPARK GENERATOR)	574279		●	●	●	●	●	●	●	●	●	●	●	●	●	●	●				
0444	IGNITER	61311269		●	●	●	●	●	●	●	●	●	●	●	●	●	●	●	12/06			
0449	PRESSURE TEST POINT SCREW	61016378		●	●	●	●	●	●	●	●	●	●	●	●	●	●	●				
0450	SHEET GASKET D: 24-18.2-1.5	60022835-01		●	●	●	●	●	●	●	●	●	●	●	●	●	●	●				

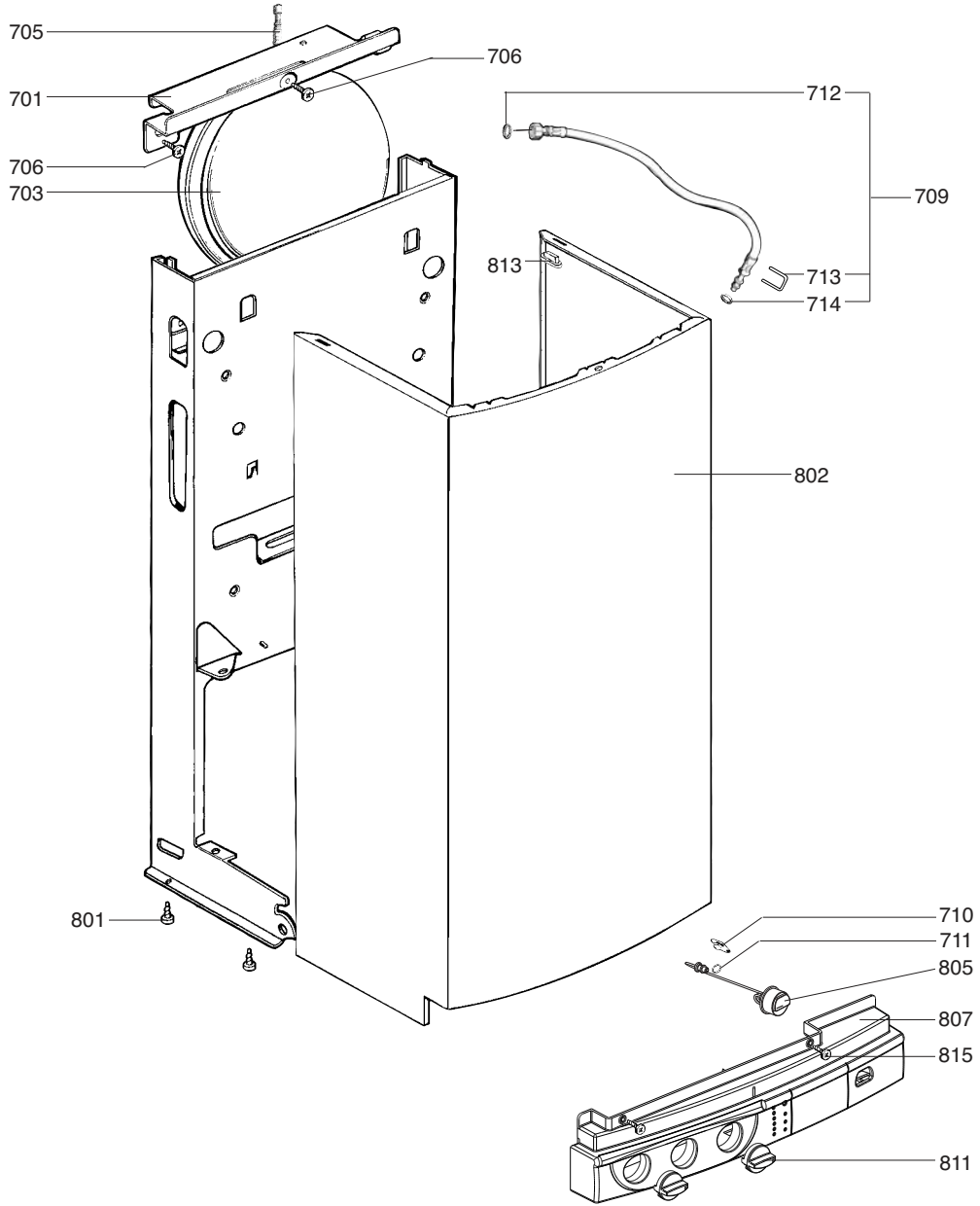




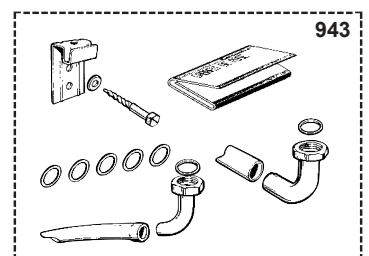
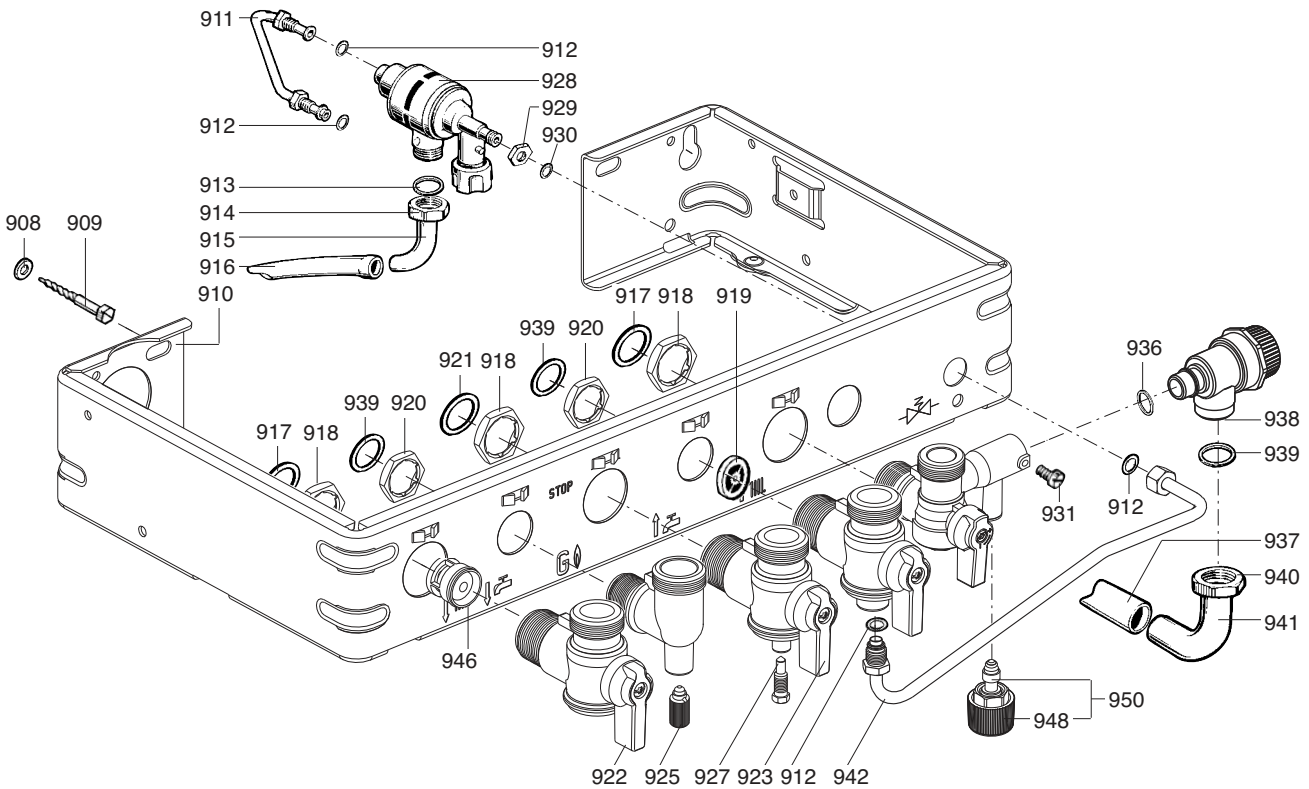
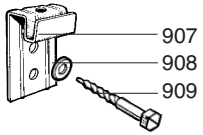
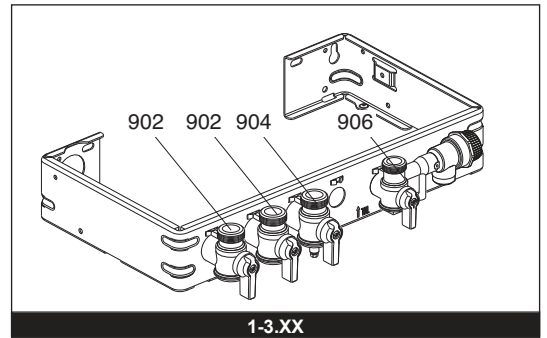
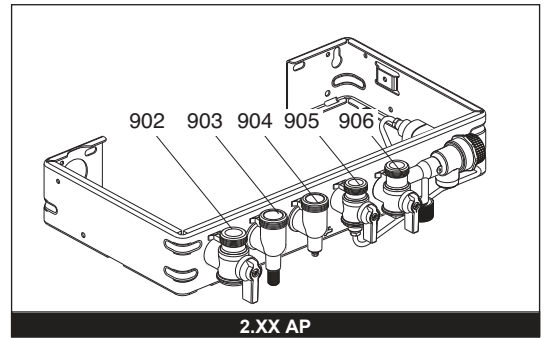
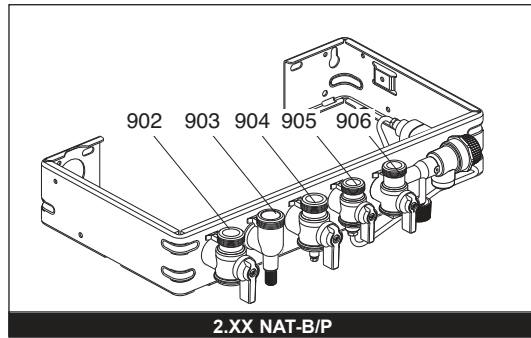








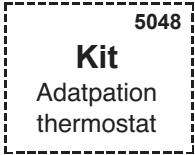
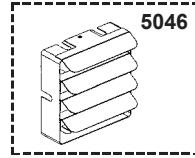
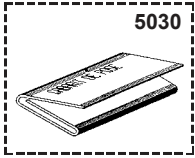
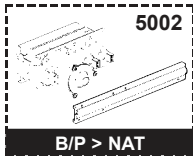
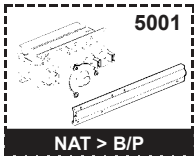
☉⇒	Description	Manf. Pt. N	Type	<div style="display: flex; justify-content: space-between; font-size: small;"> <span>CENTORA 1-14 CF</span> <span>CENTORA 3-14 CF</span> <span>CENTORA 3-14 VMC</span> <span>CENTORA 1-14 CF</span> <span>CENTORA 1-14 FF</span> <span>CENTORA 2-24 CF</span> <span>CENTORA 2-24 VMC</span> <span>CENTORA 3-24 FF</span> <span>CENTORA 3-24 CF</span> <span>CENTORA 3-24 VMC</span> <span>CENTORA 2-28 CF</span> <span>CENTORA 2-28 FF</span> </div>																		31
				1	2	3	4	5	6	7	8	9	10	11	12	13	14	15	16	17	18	
<b>0700</b>	<b>CHASSIS</b>																					
0701	TOP STAY PLATE	61010029		•	•	•	•	•	•	•	•	•	•	•	•							
0703	EXPANSION VESSEL	60056676-06		•	•	•	•	•	•	•	•	•	•	•	•							
0705	EXPANSION VESSEL AIR HOSE	61010170		•	•	•	•	•	•	•	•	•	•	•	•							
0706	TAPPING SCREW CBLSX D: 6.3-19	61014516		•	•	•	•	•	•	•	•	•	•	•	•							
0709	FLEXIBLE PIPE KIT	60081824		•	•	•	•	•	•	•	•	•	•	•	•							
0710	CLIP	61002406		•	•	•	•	•	•	•	•	•	•	•	•							
0711	O RING D: 5.7-1.9	61009834-10		•	•	•	•	•	•	•	•	•	•	•	•							
0712	SHEET GASKET D: 12-6-2	61308868		•	•	•	•	•	•	•	•	•	•	•	•							
0713	CLIP	61010005		•	•	•	•	•	•	•	•	•	•	•	•							
0714	O-RING D: 8.9-2.7	61009834-14		•	•	•	•	•	•	•	•	•	•	•	•							
<b>0800</b>	<b>FRONT CASE</b>																					
0801	TAPPING SCREW CBLSX D: 4.2-9.5	61010125		•	•	•	•	•	•	•	•	•	•	•	•							
0802	CASE	61010016		•	•	•	•	•	•	•	•	•	•	•	•							
0805	PRESSURE GAUGE	61303158		•	•	•	•	•	•	•	•	•	•	•	•							
0807	SERIGRAPHED STRIP (FOR PROG.)	61305085						•	•	•			•	•								
	SERIGRA. STRIP (WITHOUT PROG.)	61305087		•		•	•								•	•						
	SERIGRA. STRIP (WITHOUT PROG.)	61305089						•	•	•					•	•						
	SERIGRA. STRIP (WITHOUT PROG.)	61308450			•	•					•	•	•									
0811	WHITE KNOB	61304848			•	•					•	•	•									
	WHITE KNOB	61305158		•			•	•	•	•					•	•						
0813	SPACER	61015797		•	•	•	•	•	•	•	•	•	•	•	•							
0815	SCREW FX90 D: 3.5-16	61010133		•	•	•	•	•	•	•	•	•	•	•	•							



☉⇒	Description	Manf. Pt. N	Type	CENTORA 1.14 CF																		31
				1	2	3	4	5	6	7	8	9	10	11	12	13	14	15	16	17	18	
0900	JIG PLATE & PIPE FITTING																					
0902	WATER FLOW SERVICE TAP	61020388		●	●	●	●	●	●	●	●	●	●	●	●	●	●	●	●			
0903	HOT WATER CONNECTION	61020916							●	●	●	●	●	●	●	●	●	●	●			
0904	GAS CONNECTION	61020917	AP						●	●	●	●	●	●	●	●	●	●	●			
	GAS SERVICE TAP	61020389	NAT-B/P	●	●	●	●	●	●	●	●	●	●	●	●	●	●	●	●			
0905	COLD WATER TAP	61302612							●	●	●	●	●	●	●	●	●	●	●			
0906	WATER RETURN SERVICE TAP	61302614		●	●	●	●	●	●	●	●	●	●	●	●	●	●	●	●			
0907	WALL HOOK	61002497		●	●	●	●	●	●	●	●	●	●	●	●	●	●	●	●			
0908	WASHER D: 14.2-7.2-1.2	60005369-03		●	●	●	●	●	●	●	●	●	●	●	●	●	●	●	●			
0909	WOOD SCREW	60025617-03		●	●	●	●	●	●	●	●	●	●	●	●	●	●	●	●			
0911	DISCONNECTOR TUBE	61010065							●	●	●	●	●	●	●	●	●	●	●			
0912	O-RING D: 6-1	60024164-41							●	●	●	●	●	●	●	●	●	●	●			
0913	SHEET GASKET D: 14.8-10.3-1.5	60061854-11							●	●	●	●	●	●	●	●	●	●	●			
0914	NUT 3/8» THICK: 11	60020746-20							●	●	●	●	●	●	●	●	●	●	●			
0915	CONNECTING PIPE	60001574							●	●	●	●	●	●	●	●	●	●	●			
0916	TUBE PVC D: 9x12 L: 1M	60081266							●	●	●	●	●	●	●	●	●	●	●			
0917	SHEET GASKET D: 24-17-1.5	60061855-19		●	●	●	●	●	●	●	●	●	●	●	●	●	●	●	●			
0918	LOCK NUT	60031140		●	●	●	●	●	●	●	●	●	●	●	●	●	●	●	●			
0919	FLOW REGULATORE 7L/MIN(DARK GREEN)	61002775-07							●	●	●	●	●	●	●	●	●	●	●			
	FLOW REGULATORE 8L/MIN (WHITE)	61002775-08							●	●	●	●	●	●	●	●	●	●	●			
	FLOW REGULATORE 10L/MIN (BLUE)	61002775-10							●	●	●	●	●	●	●	●	●	●	●			
	FLOW REGULATORE 12L/MIN (RED)	61002775-12							●	●	●	●	●	●	●	●	●	●	●			
	FLOW REGULATORE 14L/MIN (PINK)	61002775-14							●	●	●	●	●	●	●	●	●	●	●			
	FLOW REGULATORE 15L/MIN (PALE GREEN)	61002775-15							●	●	●	●	●	●	●	●	●	●	●			
0920	CONTRODADO H 1/2	60031139							●	●	●	●	●	●	●	●	●	●	●			
0921	SHEET GASKET D: 24-18.2-1.5	60022835-01		●	●	●	●	●	●	●	●	●	●	●	●	●	●	●	●			
0922	HAND LEVER BLACK	61302611		●	●	●	●	●	●	●	●	●	●	●	●	●	●	●	●			
0923	HAND LEVER YELLOW	61302610		●	●	●	●	●	●	●	●	●	●	●	●	●	●	●	●			
0925	DRAIN SCREW ASSY	60081028		●	●	●	●	●	●	●	●	●	●	●	●	●	●	●	●			
0927	PRESSURE TEST POINT SCREW	61016378		●	●	●	●	●	●	●	●	●	●	●	●	●	●	●	●			
0928	DISCONNECTOR KIT	60081664							●	●	●	●	●	●	●	●	●	●	●			
0929	NUT H M 10-1	60031825-08							●	●	●	●	●	●	●	●	●	●	●			
0930	SHEET GASKET D: 8.5-4.1-1.5	60061852-12							●	●	●	●	●	●	●	●	●	●	●			
0931	GRUB SCREW	61304327		●	●	●	●	●	●	●	●	●	●	●	●	●	●	●	●			
0936	O-RING D: 13.6-2.7	61009834-18		●	●	●	●	●	●	●	●	●	●	●	●	●	●	●	●			
0937	TUBE PVC D: 13x17 L: 1M	60081266-02		●	●	●	●	●	●	●	●	●	●	●	●	●	●	●	●			
0938	PRESSURE RELIEF VALVE	61020933		●	●	●	●	●	●	●	●	●	●	●	●	●	●	●	●			
0939	WASHER D: 18.4-12.2-1.5	60061855-14		●	●	●	●	●	●	●	●	●	●	●	●	●	●	●	●			
0940	NUT 1/2» THICK: 10	60020747-68		●	●	●	●	●	●	●	●	●	●	●	●	●	●	●	●			
0941	VALVE CONNECTING PIPE	60047727		●	●	●	●	●	●	●	●	●	●	●	●	●	●	●	●			
0942	FILLER NECK	61020885		●	●	●	●	●	●	●	●	●	●	●	●	●	●	●	●			
0943	ACCESSORY KIT	61010324							●	●	●	●	●	●	●	●	●	●	●			
0946	NON-RETURN VALVE	61014425		●	●	●	●	●	●	●	●	●	●	●	●	●	●	●	●			
0948	GREY KNOB	61302613		●	●	●	●	●	●	●	●	●	●	●	●	●	●	●	●			
0950	TAP HEAD	61314798		●	●	●	●	●	●	●	●	●	●	●	●	●	●	●	●			

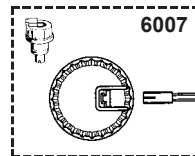
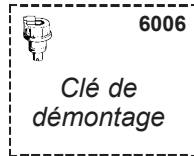
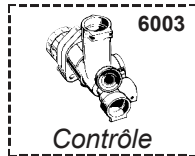
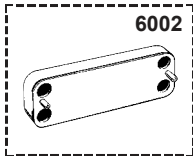
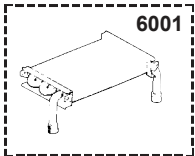
01/04

5000



CENTORA

6000



Domestic Gas Boilers



Description	Manf. Pt. N	Type	CENTORA 1.14 CF CENTORA 3.14 CF CENTORA 3.14 VMC CENTORA 1.14 CF CENTORA 1.14 FF CENTORA 2.24 CF CENTORA 2.24 VMC CENTORA 3.24 FF CENTORA 3.24 VMC CENTORA 2.28 CF CENTORA 2.28 FF																		31
			1	2	3	4	5	6	7	8	9	10	11	12	13	14	15	16	17	18	
<b>5000 ACCESSORIES</b>																					
5001 CONVERSION KIT NAT > LPG	60000612																				
CONVERSION KIT NAT > LPG	60000614																				
CONVERSION KIT NAT > LPG	60000617																				
CONVERSION KIT NAT > LPG	60000914																				
CONVERSION KIT NAT > LPG	61018431																				
CONVERSION KIT NAT > LPG	61018432																				
CONVERSION KIT NAT > LPG	61018433																				
CONVERSION KIT NAT > LPG	61301725																				
5002 CONVERSION KIT LPG > NAT	60000609																				
CONVERSION KIT LPG > NAT	60000611																				
CONVERSION KIT LPG > NAT	60000613																				
CONVERSION KIT LPG > NAT	60000615																				
CONVERSION KIT BUT/PROP > NAT	61018427																				
CONVERSION KIT BUT/PROP > NAT	61018428																				
CONVERSION KIT LPG > NAT	61018429																				
5030 JIG PLATE	61010073																				
5041 ANTIFREEZE KIT	61011278	AP																			
ANTIFREEZE KIT	61011279	AP																			
5042 INTERFACE SYSTEM - ROOM THERMO	61012505	AP																			
5043 KIT CENTORA 2.24>18 CF LPG	61306086																				
KIT CENTORA 2.24>18 CF NAT	61306087																				
KIT CENTORA 2.24>18 VMC NAT	61306091																				
5046 DEFLECTOR 30DEG KIT	61014810																				
5048 THERMOSTAT ADAPTATION KIT	61015000	AP																			
5051 BOILER THERMISTOR TEMP. SENSOR	60000454																				
THERMISTOR TEMPE. SENSOR KIT	61308624																				
<b>6000 MAINTENANCE</b>																					
6001 DESCALING INTERFACE/HEAT EXCHA	61014100																				
DESCALING INTERFACE/WATER EXCH	61011075																				
6003 SIMULATING BOX 3 WAY VALVE	61012597																				
6006 SPANNER	61302650																				
6007 STOPPED W/THROT. CONNECTOR KIT	61306970																				

## LIST OF THE ABBREVIATIONS

HW .....	: Hot water.
CW .....	: Cold water.
C .....	: Ceramic resistance (normal heating).
Ca .....	: Ceramic resistance (accelerated heating)
TP .....	: Immersion heater.
1F .....	: With fittings.
2F .....	: Without fittings.
3F .....	: With fittings and another outlet connection.
AMI .....	: With mixing valve.
SMI .....	: Without mixing valve.
PUISS .....	: Power of th appliance.
PN .....	: Appliance with normal pression.
LP .....	: Appliance with low pression.
PV .....	: Appliance with variable power.
PF .....	: Appliance with fixed power.

## IDENTIFICATION PLATE

### SERIAL NUMBER

<b>10 Characters :</b>	04 05 125 011	Sequential number Manufacturing day Year of manufacture
<b>11 Characters :</b>	1 95 065004 - 31	Technical number of the appliance Sequential number Year of manufacture
Month of manufacture : from 1 to 9 → Jan. to Sep., O → Oct., N → Nov., D → Dec.		
<b>19 Characters :</b>	08 05 0013199 900640031	Product reference Sequential number
Year of manufacture Month of manufacture		
<b>20 Characters :</b>	3675007 XX 2 07 070 00315	Sequential number Manufacturing day Year of manufacture
Product reference Millenium of manufacture		
<b>21 Characters :</b>	3675007 XX 07 070 0000315	Sequential number Manufacturing day
Product reference Year of manufacture		

The indications mentioned on the prices, commercial or technical literature and the scheme are written for your guidance and are available at a given time. The CONSTRUCTOR retains the power to modify the presentation, the form, the size, the conception or the material of the products.