

SPARE PARTS EXPLODED VIEW GAS-WALL CONDENSING BOILERS

Model

MIRA C GREEN

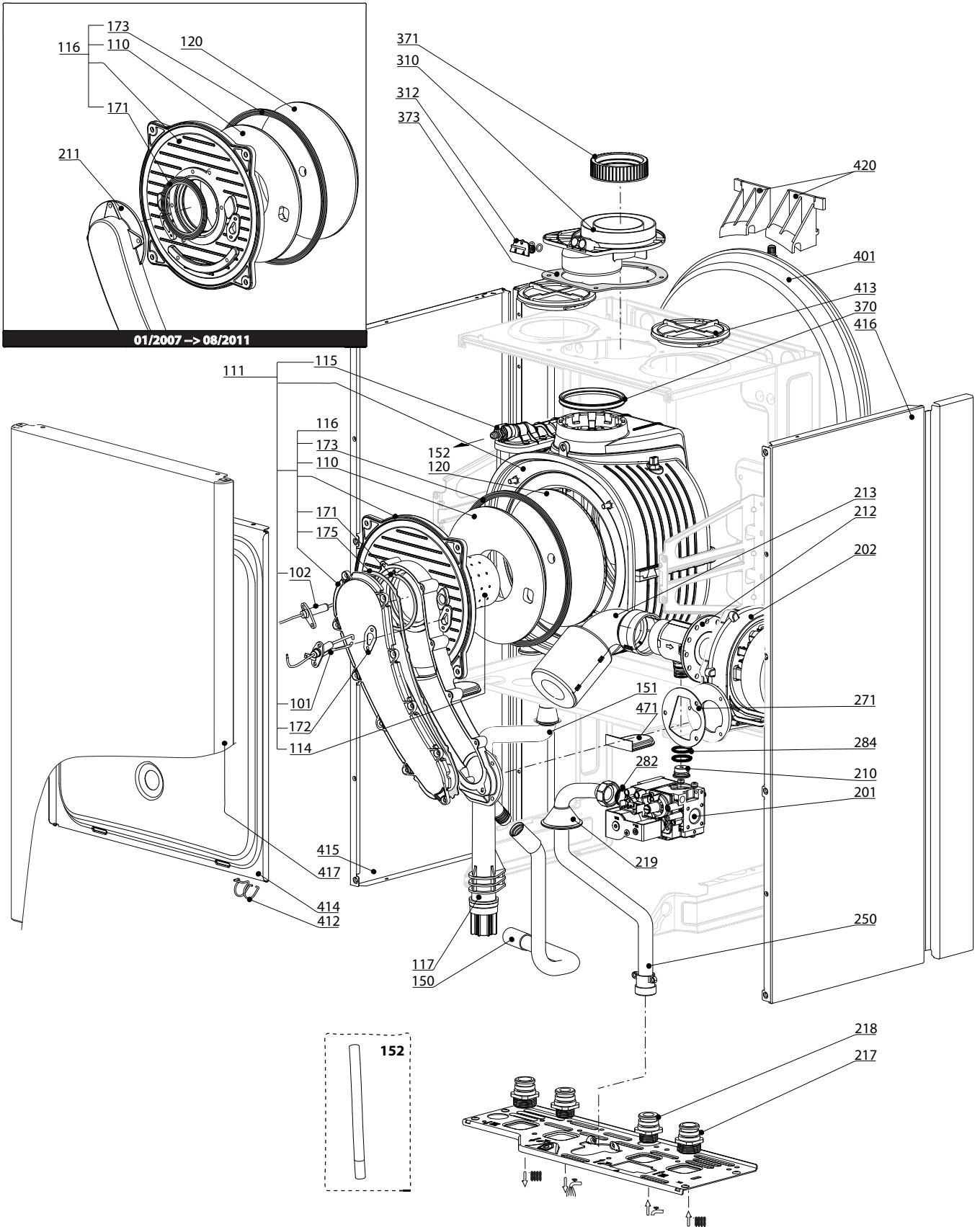
R8203186-07 - 18/06/2020

1	3650289	MIRA C GREEN 25 FF N FR	03-2008	12-2009
1	3650339	MIRA C GREEN 25FF P	10-2008	12-2009
1	3310083	MIRA C GREEN 25 FF N FR	02-2010	12-2011
1	3310121	MIRA C GREEN 25FF P	04-2010	11-2010
1	3310151	MIRA C GREEN 25 FF FR + K.E.	02-2010	12-2011
2	3650288	MIRA C GREEN 30 FF N FR	03-2008	12-2009
2	3310104	MIRA C GREEN 30 FF N FR	02-2010	12-2011
2	3310153	MIRA C GREEN 30 FF FR + K.E.	02-2010	12-2011
3	3650287	MIRA C GREEN 35 FF N FR	03-2008	12-2009
3	3310112	MIRA C GREEN 35 FF N FR	12-2009	12-2011
3	3310154	MIRA C GREEN 35 FF FR + K.E.	02-2010	12-2011
Col	Reference	Model type	Begin	End

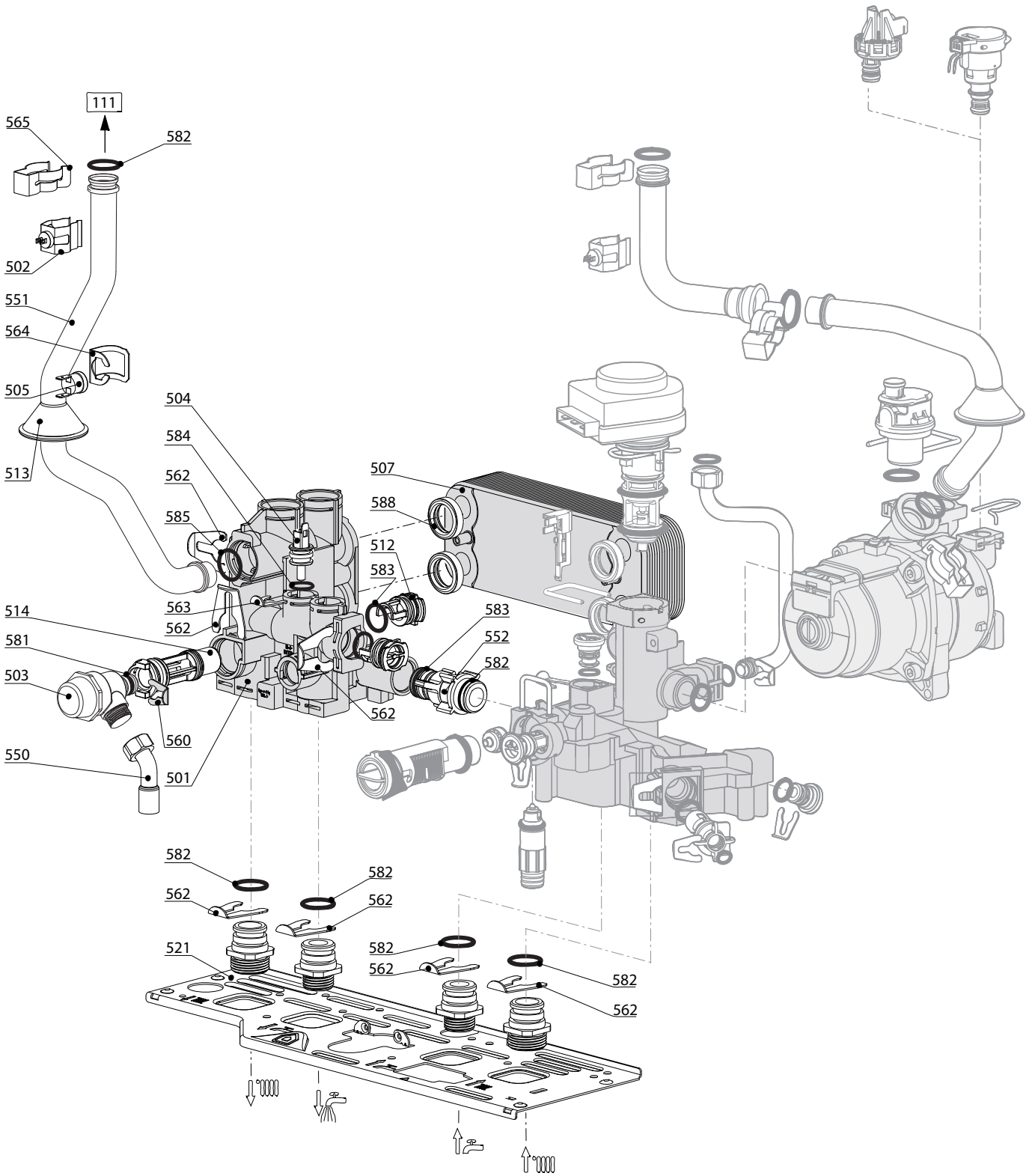
100
200
300
400

MIRA C GREEN

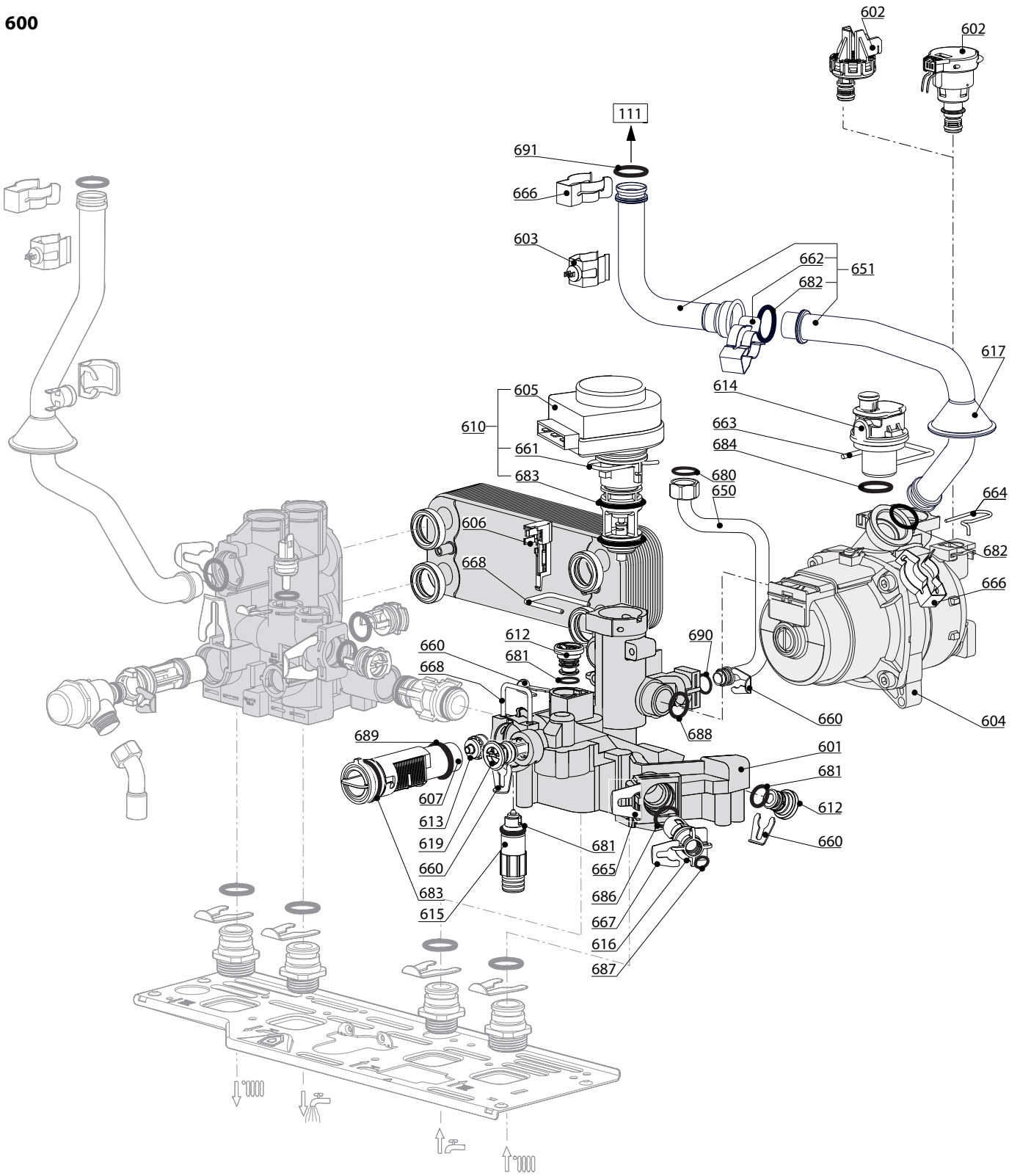
Gas-wall condensing boilers



500



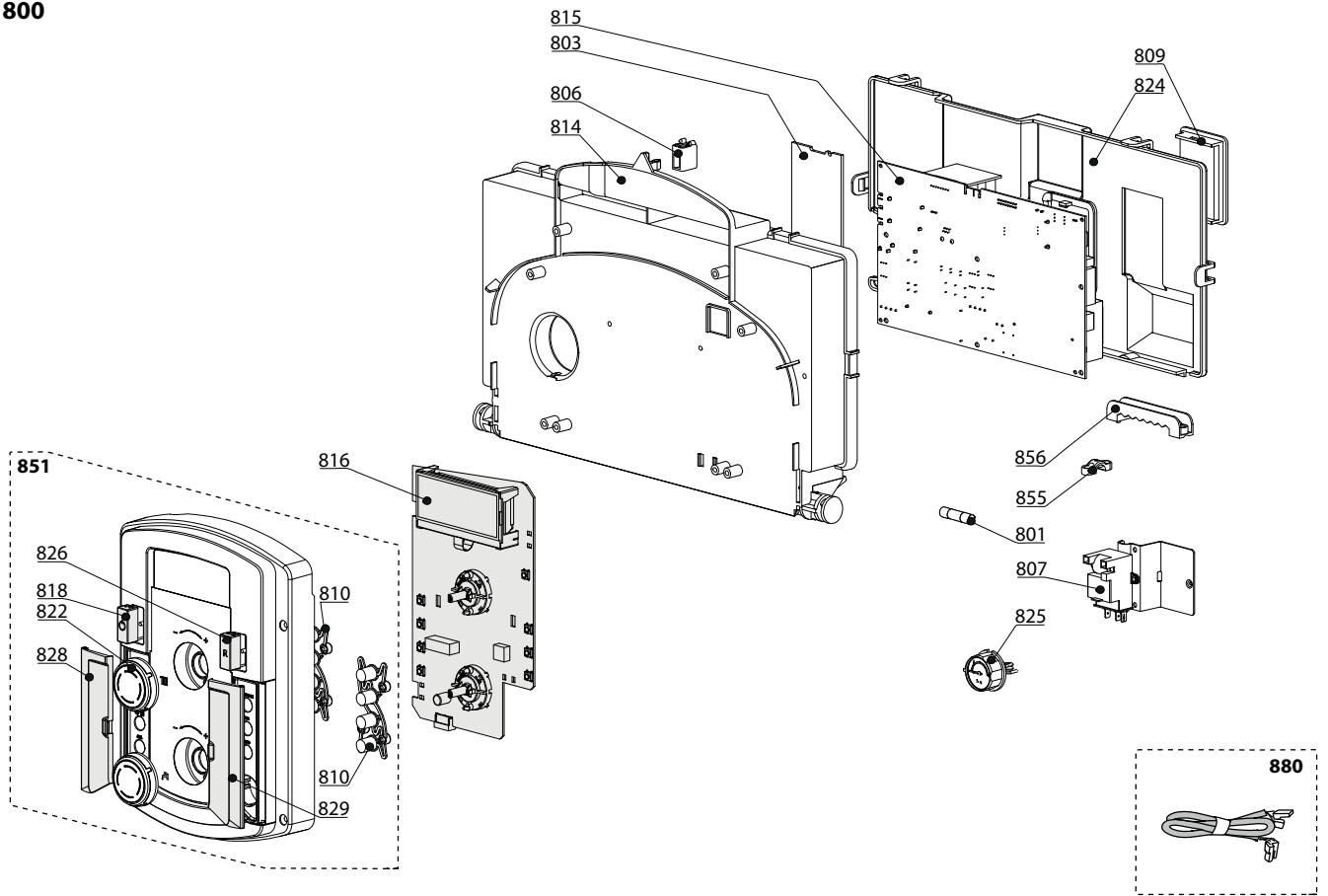
☉→	Description	Manf. Pt. N	Type	<div style="display: flex; justify-content: space-between; align-items: center;"> <div style="transform: rotate(-45deg); font-size: small;"> MIRA C GREEN 25 MIRA C GREEN 30 MIRA C GREEN 35 </div> <div style="border: 1px solid black; padding: 2px;"> 31 </div> </div>																		From	to
				1	2	3	4	5	6	7	8	9	10	11	12	13	14	15	16	17	18		
0500	FLOW GROUP																						
0501	FLOW GROUP KIT	60002319		●	●	●																	
0502	TEMPERATURE PROBE + CLIP	990686-01		●	●	●																	
0503	PRESSURE RELIEF VALVE (3 BAR)	61312668		●	●	●																	
0504	NTC PROBE	65104338-01		●	●	●																	
0505	OVERHEAT THERMOSTAT 100°C	61010572		●	●	●																	
0507	SANITARY HEAT EXCHANGER (16 P.)	65104333		●	●	●																	
0512	PLUG	65104445		●	●	●																	
0513	GROMMET	61010109		●	●	●																	
0514	BY-PASS	65104336		●	●	●																	
0521	HYDRAULIC GROUP SUPPORT	60001375		●	●	●																	
0550	PIPE (SAFETY VALVE)	65104447		●	●	●																	
0551	PIPE (C.H. FLOW)	60000859		●	●																		
	PIPE (C.H. FLOW)	60000981					●																
0552	BY-PASS PIPE	65104340		●	●	●																	
0560	CLIP D10	65104260		●	●	●																	
0562	CLIP D18	65104259		●	●	●																	
0563	CLIP D:12	65104339		●	●	●																	
0564	CLIP	61010050		●	●	●																	
0565	CLIP	60000309		●	●	●																	
0581	O-RING 17.96X2.62	65104337		●	●	●																	
0582	O-RING 17.86X2.62	61308091		●	●	●																	
0583	O-RING 15.54X2.62	65104325		●	●	●																	
0584	O-RING 11.91X2.62	60000850		●	●	●																	
0585	O-RING 17.04X3.53	65104262		●	●	●																	
0588	EXCHANGER GASKET	65104334		●	●	●																	



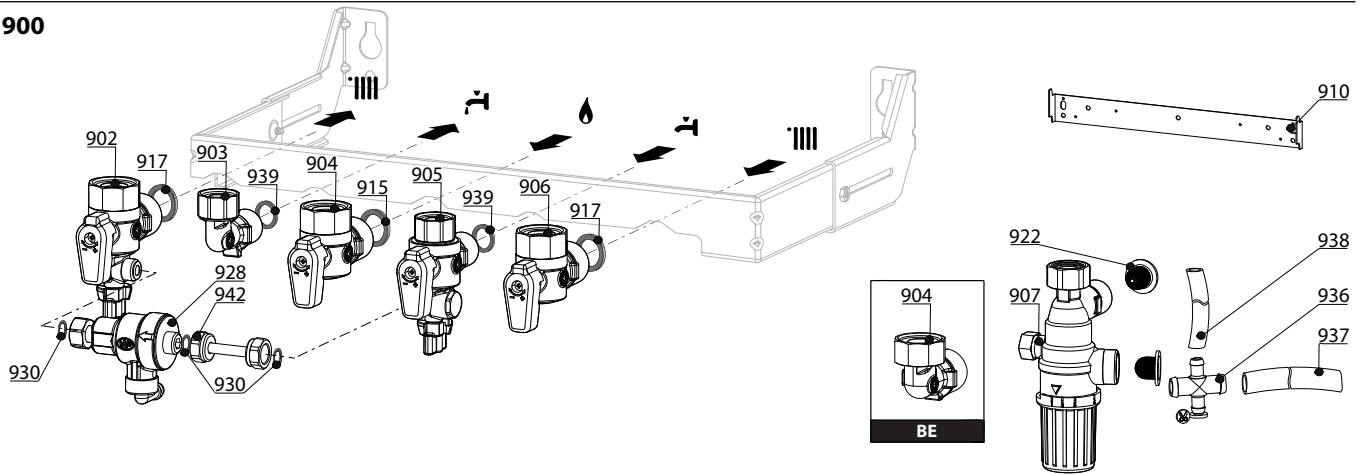
MIRA C GREEN 25
MIRA C GREEN 30
MIRA C GREEN 35

	Description	Manf. Pt. N	Type																			31	
				1	2	3	4	5	6	7	8	9	10	11	12	13	14	15	16	17	18	From	to
0600	RETURN GROUP																						
0601	RETURN GROUP	60000874		●	●	●																	
0602	LOW PRESSURE SWITCH	65105090		●	●	●																	
0603	TEMPERATURE PROBE + CLIP	990686-01		●	●	●																	
0604	PUMP 5M 2V WILO	65104319	WILO	●																			
	PUMP 6M 2V WILO	60000591	WILO		●	●																	
0605	MOTOR (3-WAY VALVE)	61302483-01		●	●	●																	
0606	SENSOR (REED)	65104323		●	●	●																	
0607	FLOW METER	60000870		●	●	●																	
0610	MOTOR+SPRING 3 WAY VALVE KIT	60001583-01		●	●	●																	
0612	PLUG	65104377		●	●	●																	
0613	RIDUCTORS (KIT)	65104318		●	●	●																	
0614	AUTO AIR VENT - WILO	65104703	WILO	●	●	●																	
0615	KIT DRAIN SCREW	60001385		●	●	●																	
0616	WATER FILTER	60001372		●	●	●																	
0617	GROMMET	61010109		●	●	●																	
0619	PLUG	65104377		●	●	●																	
0650	PIPE (EXPANSION VESSEL)	60000718		●	●	●																	
0651	PIPE (C.H. RETURN)	60000857		●	●	●																	
0660	CLIP D10	65104260		●	●	●																	
0661	CLIP	65104332		●	●	●																	
0662	CLIP	61307589		●	●	●																	
0663	U-CLIP	65104704		●	●	●																	
0664	CLIP	65104322		●	●	●																	
0665	CLIP	65104331		●	●	●																	
0666	CLIP	60000309		●	●	●																	
0667	CLIP D:6	65100680		●	●	●																	
0668	CLIP	65104316		●	●	●																	
0680	GASKET 3/8 in	573521		●	●	●																	
0681	O-RING 9.19X2.62	65104313		●	●	●																	
0682	O-RING 17.04X3.53	65104262		●	●	●																	
0683	O-RING 23.47X2.62	65104315		●	●	●																	
0684	O-RING 3X35 EPDM 75 SH	65104705		●	●	●																	
0686	O-RING 15.54X2.62	65104325		●	●	●																	
0687	O-RING 5.7X1.9	61009834-10		●	●	●																	
0688	O-RING 21.89X2.62	65104320		●	●	●																	
0689	O-RING 17.17X1.78	65104303		●	●	●																	
0690	O-RING 8.9X2.7	61009834-14		●	●	●																	
0691	O-RING 17.86X2.62	61308091		●	●	●																	

800



900



5000

- 5001**
- Gas conv. LPG G30/G31
 - Transf. gaz GPL G30/G31
 - Trasf. gas GPL G30/G31
 - Transf. gas GLP G30/G31
 - Flussiggas Umstellset
 - F-gas G30/G31
 - Ombouwsset
 - LPG G30/G31

- 5020**
- Accessories
 - Options
 - Opzioni
 - Accessorio
 - Zubehör
 - Opties

LIST OF THE ABBREVIATIONS

HW	: Hot water.
CW	: Cold water.
C	: Ceramic resistance (normal heating).
Ca	: Ceramic resistance (accelerated heating)
TP	: Immersion heater.
1F	: With fittings.
2F	: Without fittings.
3F	: With fittings and another outlet connection.
AMI	: With mixing valve.
SMI	: Without mixing valve.
PUISS	: Power of th appliance.
PN	: Appliance with normal pression.
LP	: Appliance with low pression.
PV	: Appliance with variable power.
PF	: Appliance with fixed power.

IDENTIFICATION PLATE

SERIAL NUMBER

10 Characters :	04 05 125 011		
		Sequential number	
		Manufacturing day	
		Year of manufacture	
11 Characters :	1 95 065004 - 31		
Month of manufacture :		Technical number of the appliance	
from 1 to 9 → Jan. to Sep.,		Sequential number	
O → Oct., N → Nov.,		Year of manufacture	
D → Dec.			
19 Characters :	08 05 0013199 900640031		
Year of manufacture		Product reference	
Month of manufacture		Sequential number	
20 Characters :	3675007 XX 2 07 070 00315		
Product reference		Sequential number	
Millenium of manufacture		Manufacturing day	
		Year of manufacture	
21 Characters :	3675007 XX 07 070 0000315		
Product reference		Sequential number	
Year of manufacture		Manufacturing day	