

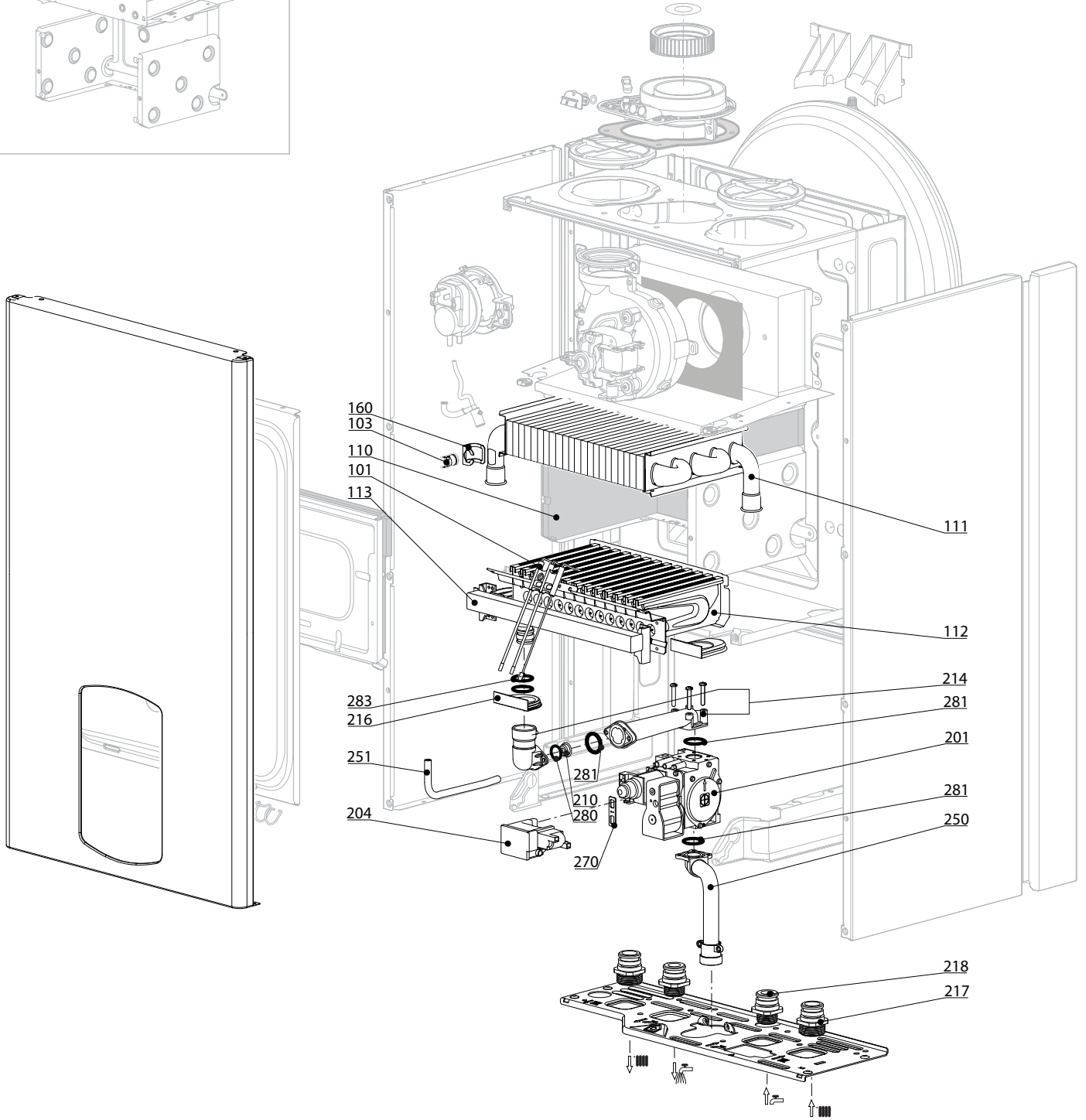
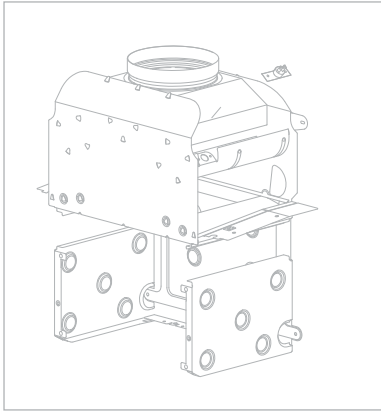
# SPARE PARTS EXPLODED VIEW GAS WALL BOILERS

Model

## **PIGMA**

R8203109-05 - 23/03/2012

| 1   | 3650212   | PIGMA 25 CF N FR   | ...   | ... |
|-----|-----------|--------------------|-------|-----|
| 1   | 3650213   | PIGMA 25 CF B/P FR | ...   | ... |
| 2   | 3650214   | PIGMA 25 VMC FR    | ...   | ... |
| 3   | 3650215   | PIGMA 25 FF N FR   | 01/08 | ... |
| 3   | 3650216   | PIGMA 25 FF B/P FR | ...   | ... |
| 4   | 3650217   | PIGMA 30 FF N FR   | ...   | ... |
| Col | Reference | Model type         | Begin | End |

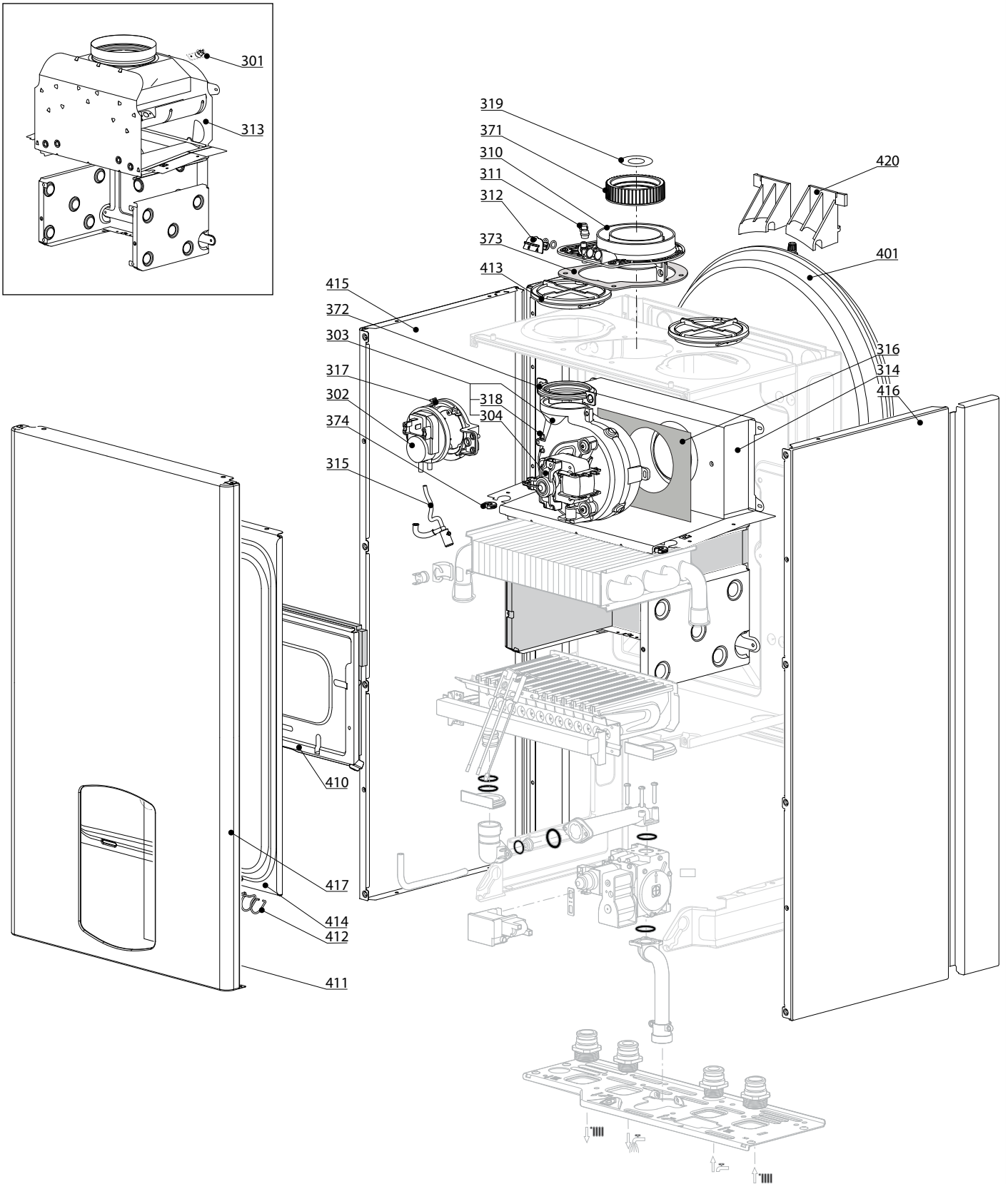


| Description                         | Manf. Pt. N | Type |   |   |   |   |   |   |   |   |   |    |    |    |    |    |    |    |       |    |
|-------------------------------------|-------------|------|---|---|---|---|---|---|---|---|---|----|----|----|----|----|----|----|-------|----|
|                                     |             |      | 1 | 2 | 3 | 4 | 5 | 6 | 7 | 8 | 9 | 10 | 11 | 12 | 13 | 14 | 15 | 16 | 17    | 18 |
| <b>0100 BURNER ASSEMBLY</b>         |             |      |   |   |   |   |   |   |   |   |   |    |    |    |    |    |    |    |       |    |
| 0101 ELECTRODE (IGNITION/DETECTION) | 65104549    |      | • | • | • | • |   |   |   |   |   |    |    |    |    |    |    |    |       |    |
| 0103 THERMOSTAT 102°                | 65104500    |      | • | • | • | • |   |   |   |   |   |    |    |    |    |    |    |    |       |    |
| 0110 PANELS (KIT)                   | 65104695    |      |   |   | • |   |   |   |   |   |   |    |    |    |    |    |    |    | 02/08 |    |
| PANELS (KIT)                        | 65104695    |      | • | • |   | • |   |   |   |   |   |    |    |    |    |    |    |    |       |    |
| PANELS (KIT)                        | 65106298    |      |   |   | • |   |   |   |   |   |   |    |    |    |    |    |    |    | 03/08 |    |
| 0111 MAIN EXCHANGER                 | 65104246    |      |   |   | • |   |   |   |   |   |   |    |    |    |    |    |    |    | 02/08 |    |
| MAIN EXCHANGER                      | 65104246    |      |   |   |   | • |   |   |   |   |   |    |    |    |    |    |    |    |       |    |
| MAIN EXCHANGER                      | 65104247    |      | • | • |   |   |   |   |   |   |   |    |    |    |    |    |    |    |       |    |
| MAIN EXCHANGER                      | 65106297    |      |   |   | • |   |   |   |   |   |   |    |    |    |    |    |    |    | 03/08 |    |
| 0112 BURNER 13NP                    | 65104220    |      |   |   | • |   |   |   |   |   |   |    |    |    |    |    |    |    | 02/08 |    |
| BURNER 13NP                         | 65104220    |      | • | • |   | • |   |   |   |   |   |    |    |    |    |    |    |    |       |    |
| BURNER 11NP                         | 65106294    |      |   |   | • |   |   |   |   |   |   |    |    |    |    |    |    |    | 03/08 |    |
| 0113 GAS MANIFOLD 13 INJ. D:0.76    | 65104223    | B/P  |   |   | • |   |   |   |   |   |   |    |    |    |    |    |    |    | 02/08 |    |
| GAS MANIFOLD 13 INJ. D:0.76         | 65104223    | B/P  | • |   |   |   |   |   |   |   |   |    |    |    |    |    |    |    |       |    |
| GAS MANIFOLD 11 INJ. D:0.80         | 65106605    | B/P  |   |   | • |   |   |   |   |   |   |    |    |    |    |    |    |    | 03/08 |    |
| GAS MANIFOLD 13 INJ. D:1.32         | 65104226    | NAT  |   |   |   | • |   |   |   |   |   |    |    |    |    |    |    |    |       |    |
| GAS MANIFOLD 13 INJ. D:1.25         | 65104302    | NAT  |   |   | • |   |   |   |   |   |   |    |    |    |    |    |    |    | 02/08 |    |
| GAS MANIFOLD 13 INJ. D:1.25         | 65104302    | NAT  | • | • |   |   |   |   |   |   |   |    |    |    |    |    |    |    |       |    |
| GAS MANIFOLD 11 INJ. D:1.32         | 65106302    | NAT  |   |   |   | • |   |   |   |   |   |    |    |    |    |    |    |    | 03/08 |    |
| 0160 CLIP                           | 61010050    |      | • | • | • | • |   |   |   |   |   |    |    |    |    |    |    |    |       |    |
| <b>0200 GAS SECTION</b>             |             |      |   |   |   |   |   |   |   |   |   |    |    |    |    |    |    |    |       |    |
| 0201 GAS VALVE                      | 65104254    |      | • | • | • | • |   |   |   |   |   |    |    |    |    |    |    |    |       |    |
| 0204 SPARK GENERATOR                | 65104653    |      | • | • | • | • |   |   |   |   |   |    |    |    |    |    |    |    |       |    |
| 0210 RESTRICTOR D: 6.3              | 60000018    | NAT  |   |   | • |   |   |   |   |   |   |    |    |    |    |    |    |    | 02/08 |    |
| RESTRICTOR D: 6.3                   | 60000018    | NAT  | • | • |   |   |   |   |   |   |   |    |    |    |    |    |    |    |       |    |
| RESTRICTOR D: 5.7                   | 60000498    | NAT  |   |   | • |   |   |   |   |   |   |    |    |    |    |    |    |    | 03/08 |    |
| RESTRICTOR D: 7                     | 65105152    | NAT  |   |   |   | • |   |   |   |   |   |    |    |    |    |    |    |    |       |    |
| 0214 PIPE (GAS VALVE/BURNER)        | 65104230    |      | • | • | • | • |   |   |   |   |   |    |    |    |    |    |    |    |       |    |
| 0216 GROMMET                        | 60000624    |      | • | • | • | • |   |   |   |   |   |    |    |    |    |    |    |    |       |    |
| 0217 UNION (3/4)                    | 65104326    |      | • | • | • | • |   |   |   |   |   |    |    |    |    |    |    |    |       |    |
| 0218 UNION (1/2)                    | 65104327    |      | • | • | • | • |   |   |   |   |   |    |    |    |    |    |    |    |       |    |
| 0250 GAS TUBE                       | 60000720    |      | • | • | • | • |   |   |   |   |   |    |    |    |    |    |    |    |       |    |
| 0251 EPDM PIPE                      | 65104296    |      |   |   | • | • |   |   |   |   |   |    |    |    |    |    |    |    |       |    |
| 0270 GASKET (SPARK GENERATOR)       | 574279      |      | • | • | • | • |   |   |   |   |   |    |    |    |    |    |    |    |       |    |
| 0280 O-RING D: 14-2.00              | 60000903    | NAT  | • | • | • | • |   |   |   |   |   |    |    |    |    |    |    |    |       |    |
| 0281 O-RING 22,22X2,62              | 65104304    |      | • | • | • | • |   |   |   |   |   |    |    |    |    |    |    |    |       |    |
| 0283 O-RING 17,17X1,78              | 65104303    |      | • | • | • | • |   |   |   |   |   |    |    |    |    |    |    |    |       |    |

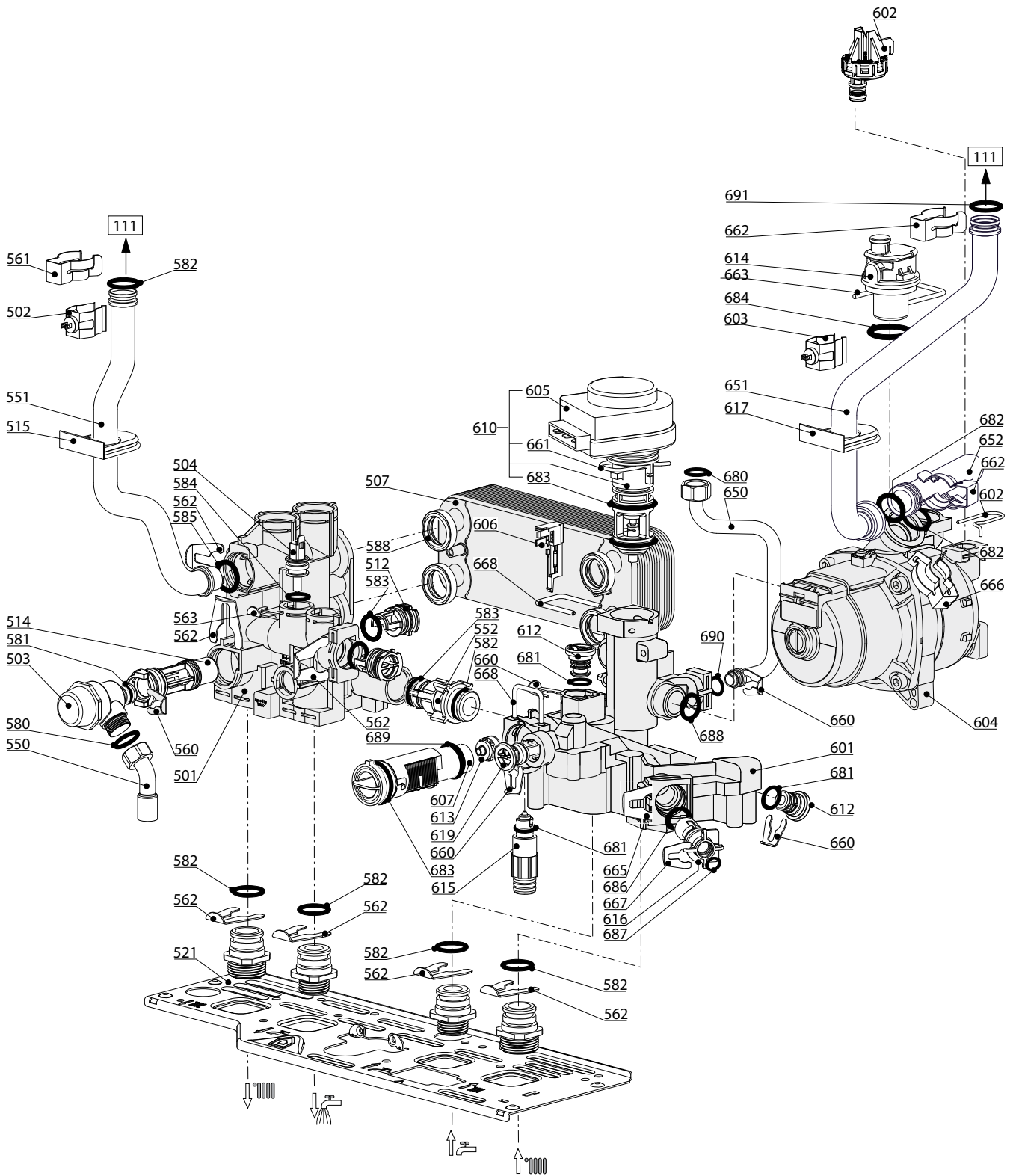
300  
400

PIGMA

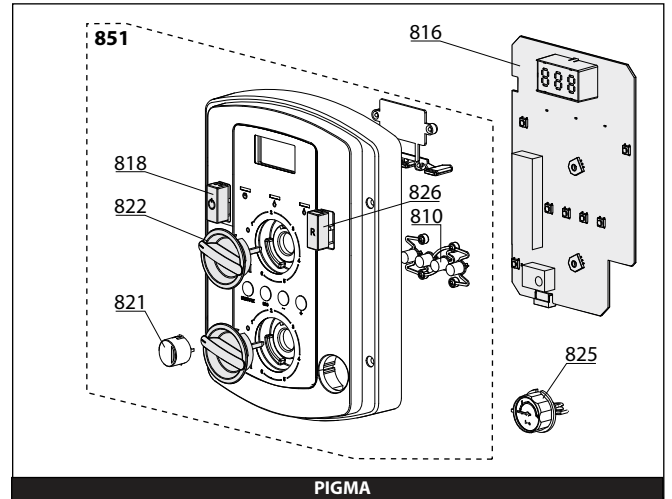
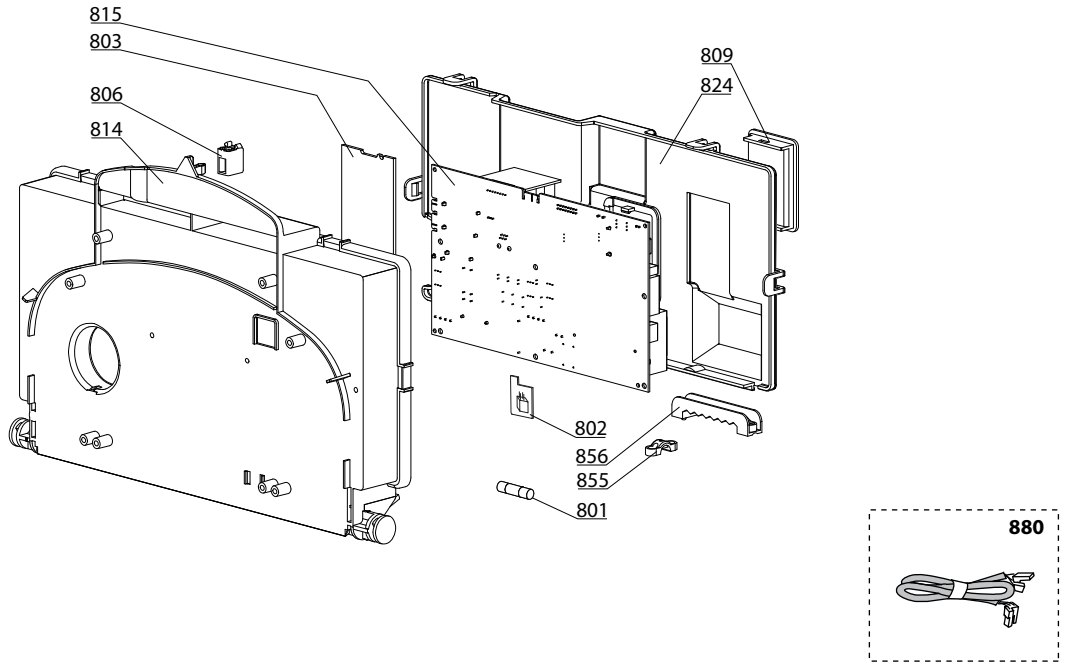
Domestic Gas Boilers



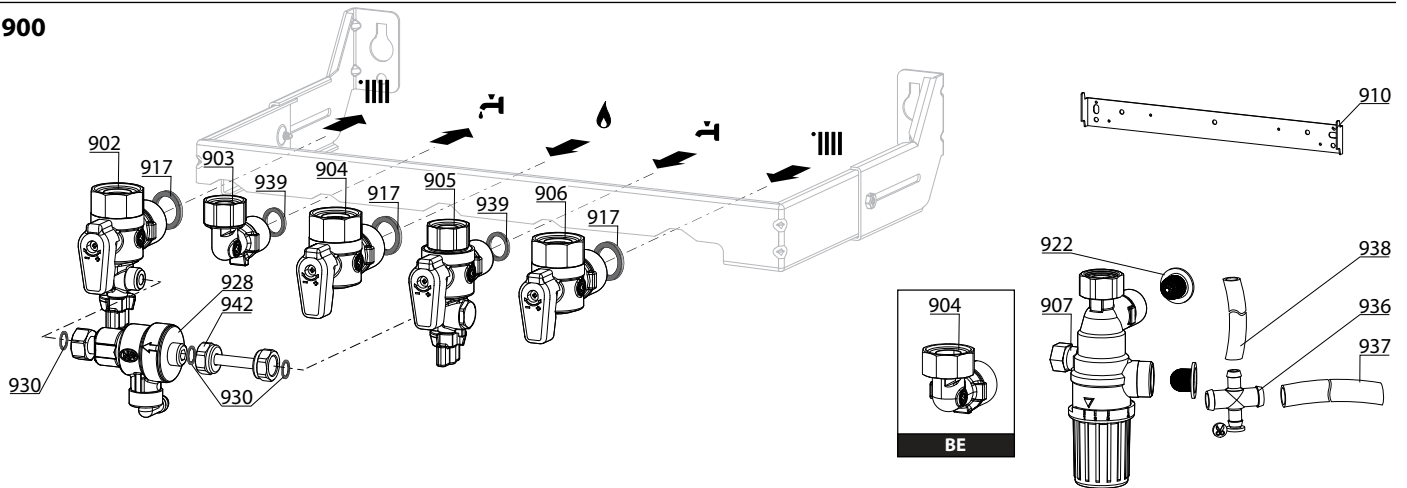
| Description                           | Manf. Pt. N | Type | <div style="display: flex; justify-content: space-between; align-items: center;"> <div style="border: 1px solid black; padding: 2px;"> </div> <div style="text-align: center;"> <div style="border: 1px solid black; padding: 2px; transform: rotate(-45deg); display: inline-block;">           PIGMA 25 CF<br/>           PIGMA 25 VMC<br/>           PIGMA 25 FF<br/>           PIGMA 30 FF         </div> </div> <div style="border: 1px solid black; padding: 2px; text-align: center;"> <br/> <b>31</b> </div> </div> |   |   |   |   |   |   |   |   |    |    |    |    |    |    |       |    |    |
|---------------------------------------|-------------|------|---|---|---|---|---|---|---|---|---|----|----|----|----|----|----|-------|----|----|
|                                       |             |      | 1   | 2 | 3 | 4 | 5 | 6 | 7 | 8 | 9 | 10 | 11 | 12 | 13 | 14 | 15 | 16    | 17 | 18 |
| <b>0300 FAN ASSEMBLY</b>              |             |      |   |   |   |   |   |   |   |   |   |    |    |    |    |    |    |       |    |    |
| 0301 OVERHEAT THERMOSTAT 49C          | 61310767    |      |   | • |   |   |   |   |   |   |   |    |    |    |    |    |    |       |    |    |
| THERMOSTAT 75-65°C                    | 999539      |      |   | • |   |   |   |   |   |   |   |    |    |    |    |    |    |       |    |    |
| 0302 AIR PRESSURE SWITCH 50 Pa        | 65104671-01 |      |   |   | • |   |   |   |   |   |   |    |    |    |    |    |    |       |    |    |
| AIR PRESSURE SWITCH 74 Pa             | 65104672-01 |      |   |   |   | • |   |   |   |   |   |    |    |    |    |    |    |       |    |    |
| 0303 FAN                              | 65104357    |      |   |   | • |   |   |   |   |   |   |    |    |    |    |    |    |       |    |    |
| FAN                                   | 65104452    |      |   |   |   | • |   |   |   |   |   |    |    |    |    |    |    |       |    |    |
| 0310 FLUE (EXHAUST MANIFOLD / HEADER) | 65105393    |      |   |   | • | • |   |   |   |   |   |    |    |    |    |    |    |       |    |    |
| 0311 AIR INTAKE COVER                 | 573329      |      |   |   | • | • |   |   |   |   |   |    |    |    |    |    |    |       |    |    |
| 0312 FLUE INTAKE PLUG                 | 65104295    |      |   |   | • | • |   |   |   |   |   |    |    |    |    |    |    |       |    |    |
| 0313 COMBUSTION CHAMBER 24CF          | 65104218    |      |   | • | • |   |   |   |   |   |   |    |    |    |    |    |    |       |    |    |
| 0314 COMBUSTION CHAMBER 24/28 FF      | 65104219    |      |   |   | • |   |   |   |   |   |   |    |    |    |    |    |    | 02/08 |    |    |
| COMBUSTION CHAMBER 24/28 FF           | 65104219    |      |   |   |   | • |   |   |   |   |   |    |    |    |    |    |    |       |    |    |
| COMBUSTION CHAMBER 24/28 FF           | 65106295    |      |   |   |   | • |   |   |   |   |   |    |    |    |    |    |    | 03/08 |    |    |
| 0315 CONDENSATE TRAP                  | 65104623    |      |   |   | • | • |   |   |   |   |   |    |    |    |    |    |    |       |    |    |
| 0316 PANEL (INSULATION - FAN)         | 65104305    |      |   |   | • | • |   |   |   |   |   |    |    |    |    |    |    |       |    |    |
| 0317 SUPPORT (AIR PRESSURE SWITCH)    | 65104378    |      |   |   | • | • |   |   |   |   |   |    |    |    |    |    |    |       |    |    |
| 0318 VENTURI 28/30FF                  | 65106515    |      |   |   |   | • |   |   |   |   |   |    |    |    |    |    |    |       |    |    |
| VENTURI 15/24FF                       | 65106516    |      |   |   |   | • |   |   |   |   |   |    |    |    |    |    |    |       |    |    |
| 0319 RESTRICTOR KIT                   | 60001598    |      |   |   | • | • |   |   |   |   |   |    |    |    |    |    |    |       |    |    |
| 0371 COLLAR GASKET                    | 65104258    |      |   |   | • | • |   |   |   |   |   |    |    |    |    |    |    |       |    |    |
| 0372 FAN GASKET                       | 65104257    |      |   |   | • | • |   |   |   |   |   |    |    |    |    |    |    |       |    |    |
| 0373 GASKET                           | 60000317    |      |   |   | • | • |   |   |   |   |   |    |    |    |    |    |    |       |    |    |
| 0374 CABLE INLET RUBBER WASHER        | 60000716    |      |   | • | • | • | • |   |   |   |   |    |    |    |    |    |    |       |    |    |
| <b>0400 SEALED CASE</b>               |             |      |   |   |   |   |   |   |   |   |   |    |    |    |    |    |    |       |    |    |
| 0401 EXPANSION VESSEL                 | 65104261    |      |   | • | • | • | • |   |   |   |   |    |    |    |    |    |    |       |    |    |
| 0410 PANEL (COMBUSTION CHAMBER)       | 65104240    |      |   |   | • |   |   |   |   |   |   |    |    |    |    |    |    | 02/08 |    |    |
| PANEL (COMBUSTION CHAMBER)            | 65104240    |      |   | • | • | • |   |   |   |   |   |    |    |    |    |    |    |       |    |    |
| PANEL (COMBUSTION CHAMBER)            | 65106296    |      |   |   | • |   |   |   |   |   |   |    |    |    |    |    |    | 03/08 |    |    |
| 0411 SIGHT GLASS                      | 65104232    |      |   |   | • | • |   |   |   |   |   |    |    |    |    |    |    |       |    |    |
| 0412 SPRING FRONT PANEL (KIT)         | 65104298    |      |   |   | • | • |   |   |   |   |   |    |    |    |    |    |    |       |    |    |
| 0413 AIR RETURN COVER                 | 65104249    |      |   |   | • | • |   |   |   |   |   |    |    |    |    |    |    |       |    |    |
| 0414 PANEL (FRONT - SEALED CHAMBER)   | 65105678    |      |   |   | • | • |   |   |   |   |   |    |    |    |    |    |    |       |    |    |
| 0415 CASE PANEL (L.H. SIDE)           | 65105676    |      |   | • | • | • | • |   |   |   |   |    |    |    |    |    |    |       |    |    |
| 0416 CASE PANEL (R.H. SIDE)           | 65105677    |      |   | • | • | • | • |   |   |   |   |    |    |    |    |    |    |       |    |    |
| 0417 CASE PANEL (FRONT)               | 60000983    |      |   | • | • | • | • |   |   |   |   |    |    |    |    |    |    |       |    |    |
| 0420 EXPANSION VESSEL SUPPORT         | 65104696    |      |   | • | • | • | • |   |   |   |   |    |    |    |    |    |    |       |    |    |



| ☉➔          | Description                     | Manf. Pt. N | Type |   |   |   |   |   |   |   |   |   |    |    |    |    |    |    |       |    |    |
|-------------|---------------------------------|-------------|------|---|---|---|---|---|---|---|---|---|----|----|----|----|----|----|-------|----|----|
|             |                                 |             |      | 1 | 2 | 3 | 4 | 5 | 6 | 7 | 8 | 9 | 10 | 11 | 12 | 13 | 14 | 15 | 16    | 17 | 18 |
| <b>0500</b> | <b>FLOW GROUP</b>               |             |      |   |   |   |   |   |   |   |   |   |    |    |    |    |    |    |       |    |    |
| 0501        | FLOW GROUP                      | 60000844    |      | • | • | • | • |   |   |   |   |   |    |    |    |    |    |    |       |    |    |
| 0502        | TEMPERATURE PROBE + CLIP        | 990686      |      | • | • | • | • |   |   |   |   |   |    |    |    |    |    |    |       |    |    |
| 0503        | PRESSURE RELIEF VALVE 3 BAR     | 61312668    |      | • | • | • | • |   |   |   |   |   |    |    |    |    |    |    |       |    |    |
| 0504        | NTC PROBE                       | 65104338    |      | • | • | • | • |   |   |   |   |   |    |    |    |    |    |    |       |    |    |
| 0507        | WATER / WATER HEAT EXCHANGER 16 | 65104333    |      | • | • | • | • |   |   |   |   |   |    |    |    |    |    |    |       |    |    |
| 0512        | PLUG                            | 65104445    |      | • | • | • | • |   |   |   |   |   |    |    |    |    |    |    |       |    |    |
| 0514        | BY-PASS                         | 65104336    |      | • | • | • | • |   |   |   |   |   |    |    |    |    |    |    |       |    |    |
| 0515        | GROMMET                         | 60000808    |      | • | • | • | • |   |   |   |   |   |    |    |    |    |    |    |       |    |    |
| 0521        | HYDRAULIC GROUP SUPPORT         | 60001375    |      | • | • | • | • |   |   |   |   |   |    |    |    |    |    |    |       |    |    |
| 0550        | PIPE (SAFETY VALVE)             | 65104447    |      | • | • | • | • |   |   |   |   |   |    |    |    |    |    |    |       |    |    |
| 0551        | HEATING FLOW TUBE               | 60000991    |      |   |   |   | • |   |   |   |   |   |    |    |    |    |    |    | 02/08 |    |    |
|             | HEATING FLOW TUBE               | 60000991    |      | • | • |   | • |   |   |   |   |   |    |    |    |    |    |    |       |    |    |
|             | HEATING FLOW TUBE               | 60001133    |      |   |   |   | • |   |   |   |   |   |    |    |    |    |    |    | 03/08 |    |    |
| 0552        | BY-PASS PIPE                    | 65104340    |      | • | • | • | • |   |   |   |   |   |    |    |    |    |    |    |       |    |    |
| 0560        | CLIP D:10                       | 65104260    |      | • | • | • | • |   |   |   |   |   |    |    |    |    |    |    |       |    |    |
| 0561        | CLIP                            | 61307589    |      | • | • | • | • |   |   |   |   |   |    |    |    |    |    |    |       |    |    |
| 0562        | CLIP D=18                       | 65104259    |      | • | • | • | • |   |   |   |   |   |    |    |    |    |    |    |       |    |    |
| 0563        | CLIP                            | 65104339    |      | • | • | • | • |   |   |   |   |   |    |    |    |    |    |    |       |    |    |
| 0580        | SHEET GASKET D: 13.9-10.4-1.5   | 60061853-02 |      | • | • | • | • |   |   |   |   |   |    |    |    |    |    |    |       |    |    |
| 0581        | O - RING (15.88X2.62)           | 65104337    |      | • | • | • | • |   |   |   |   |   |    |    |    |    |    |    |       |    |    |
| 0582        | O-RING D: 17.86-2.62            | 61308091    |      | • | • | • | • |   |   |   |   |   |    |    |    |    |    |    |       |    |    |
| 0583        | O - RING (15.54X2.62)           | 65104325    |      | • | • | • | • |   |   |   |   |   |    |    |    |    |    |    |       |    |    |
| 0584        | O-RING D: 11.91-2.62            | 60000850    |      | • | • | • | • |   |   |   |   |   |    |    |    |    |    |    |       |    |    |
| 0585        | O-RING 3,53X17,04               | 65104262    |      | • | • | • | • |   |   |   |   |   |    |    |    |    |    |    |       |    |    |
| 0588        | EXCHANGER GASKET                | 65104334    |      | • | • | • | • |   |   |   |   |   |    |    |    |    |    |    |       |    |    |
| <b>0600</b> | <b>RETURN GROUP</b>             |             |      |   |   |   |   |   |   |   |   |   |    |    |    |    |    |    |       |    |    |
| 0601        | RETURN GROUP                    | 60000874    |      | • | • | • | • |   |   |   |   |   |    |    |    |    |    |    |       |    |    |
| 0602        | LOW PRESSURE SWITCH             | 65105090    |      |   |   |   | • |   |   |   |   |   |    |    |    |    |    |    |       |    |    |
| 0603        | TEMPERATURE PROBE + CLIP        | 990686      |      | • | • | • | • |   |   |   |   |   |    |    |    |    |    |    |       |    |    |
| 0604        | PUMP 5M 1V                      | 60000876    |      |   |   |   | • |   |   |   |   |   |    |    |    |    |    |    |       |    |    |
|             | PUMP 4M 1V                      | 60001584    |      | • | • | • | • |   |   |   |   |   |    |    |    |    |    |    |       |    |    |
| 0605        | MOTOR - THREE-WAY VALVE         | 61302483-01 |      | • | • | • | • |   |   |   |   |   |    |    |    |    |    |    |       |    |    |
| 0606        | SENSOR (REED)                   | 65104323    |      | • | • | • | • |   |   |   |   |   |    |    |    |    |    |    |       |    |    |
| 0607        | FLOW METER                      | 60000870    |      | • | • | • | • |   |   |   |   |   |    |    |    |    |    |    |       |    |    |
| 0610        | MOTOR + SPRING 3 WAY VALVE KIT  | 60001583    |      | • | • | • | • |   |   |   |   |   |    |    |    |    |    |    |       |    |    |
| 0612        | PLUG                            | 65104377    |      | • | • | • | • |   |   |   |   |   |    |    |    |    |    |    |       |    |    |
| 0613        | RIDUCTORS (KIT)                 | 65104318    |      | • | • | • | • |   |   |   |   |   |    |    |    |    |    |    |       |    |    |
| 0614        | AUTO AIR VENT WITH O-RING       | 65104703    |      | • | • | • | • |   |   |   |   |   |    |    |    |    |    |    |       |    |    |
| 0615        | KIT DRAIN SCREW                 | 60001385    |      | • | • | • | • |   |   |   |   |   |    |    |    |    |    |    |       |    |    |
| 0616        | WATER FILTER                    | 60001372    |      | • | • | • | • |   |   |   |   |   |    |    |    |    |    |    |       |    |    |
| 0617        | GROMMET                         | 60000807    |      | • | • | • | • |   |   |   |   |   |    |    |    |    |    |    |       |    |    |
| 0619        | PLUG                            | 65104377    |      | • | • | • | • |   |   |   |   |   |    |    |    |    |    |    |       |    |    |
| 0650        | PIPE (EXPANSION VESSEL)         | 60000718    |      | • | • | • | • |   |   |   |   |   |    |    |    |    |    |    |       |    |    |
| 0651        | HEATING RETURN TUBE             | 60000723    |      |   |   |   | • |   |   |   |   |   |    |    |    |    |    |    | 02/08 |    |    |
|             | HEATING RETURN TUBE             | 60000723    |      | • | • |   | • |   |   |   |   |   |    |    |    |    |    |    |       |    |    |
|             | HEATING RETURN TUBE             | 60001132    |      |   |   |   | • |   |   |   |   |   |    |    |    |    |    |    | 03/08 |    |    |
| 0652        | HEATING RETURN TUBE             | 60000992    |      | • | • | • | • |   |   |   |   |   |    |    |    |    |    |    |       |    |    |
| 0660        | CLIP D:10                       | 65104260    |      | • | • | • | • |   |   |   |   |   |    |    |    |    |    |    |       |    |    |
| 0661        | CLIP                            | 65104332    |      | • | • | • | • |   |   |   |   |   |    |    |    |    |    |    |       |    |    |
| 0662        | CLIP                            | 61307589    |      | • | • | • | • |   |   |   |   |   |    |    |    |    |    |    |       |    |    |
| 0663        | U-CLIP                          | 65104704    |      | • | • | • | • |   |   |   |   |   |    |    |    |    |    |    |       |    |    |
| 0664        | CLIP                            | 65104322    |      |   |   |   | • |   |   |   |   |   |    |    |    |    |    |    |       |    |    |
| 0665        | CLIP                            | 65104331    |      | • | • | • | • |   |   |   |   |   |    |    |    |    |    |    |       |    |    |
| 0666        | CLIP                            | 60000309    |      | • | • | • | • |   |   |   |   |   |    |    |    |    |    |    |       |    |    |
| 0667        | CLIP                            | 65100680    |      | • | • | • | • |   |   |   |   |   |    |    |    |    |    |    |       |    |    |
| 0668        | CLIP                            | 65104316    |      | • | • | • | • |   |   |   |   |   |    |    |    |    |    |    |       |    |    |
| 0680        | GASKET 3/8                      | 573521      |      | • | • | • | • |   |   |   |   |   |    |    |    |    |    |    |       |    |    |
| 0681        | O - RING (9.19X2.62)            | 65104313    |      | • | • | • | • |   |   |   |   |   |    |    |    |    |    |    |       |    |    |
| 0682        | O-RING 3,53X17,04               | 65104262    |      | • | • | • | • |   |   |   |   |   |    |    |    |    |    |    |       |    |    |
| 0683        | O - RING (23.47X2.62)           | 65104315    |      | • | • | • | • |   |   |   |   |   |    |    |    |    |    |    |       |    |    |
| 0684        | O-RING                          | 65104705    |      | • | • | • | • |   |   |   |   |   |    |    |    |    |    |    |       |    |    |
| 0686        | O - RING (15.54X2.62)           | 65104325    |      | • | • | • | • |   |   |   |   |   |    |    |    |    |    |    |       |    |    |
| 0687        | O RING D: 5.7-1.9               | 61009834-10 |      | • | • | • | • |   |   |   |   |   |    |    |    |    |    |    |       |    |    |
| 0688        | O - RING (21.89X2.62)           | 65104320    |      | • | • | • | • |   |   |   |   |   |    |    |    |    |    |    |       |    |    |
| 0689        | O-RING 17,17X1,78               | 65104303    |      | • | • | • | • |   |   |   |   |   |    |    |    |    |    |    |       |    |    |
| 0690        | O-RING D: 8.9-2.7               | 61009834-14 |      | • | • | • | • |   |   |   |   |   |    |    |    |    |    |    |       |    |    |
| 0691        | O-RING D: 17.86-2.62            | 61308091    |      | • | • | • | • |   |   |   |   |   |    |    |    |    |    |    |       |    |    |



900



5000

| 5001              | 5002              | 5020        |
|-------------------|-------------------|-------------|
| Transf. gaz > B/P | Transf. gaz > Nat | Options     |
| Conv. gas > LPG   | Conv. gas > Nat   | Accessories |
| Trasf. gas > GPL  | Trasf. gas > Met  | Opzioni     |
| Transf. gas > B/P | Transf. gas > Met | Accessorio  |
| Umrustsatz > B/P  | Umrustsatz > Nat  | Option      |



| ☉⇒          | Description                              | Manf. Pt. N | Type   |   |   |   |   |   |   |   |   |   |    |    |    |    |    |    |    |    |    | 31 |
|-------------|--|-------------|--------|---|---|---|---|---|---|---|---|---|----|----|----|----|----|----|----|----|----|----|
|             |  |             |        | 1 | 2 | 3 | 4 | 5 | 6 | 7 | 8 | 9 | 10 | 11 | 12 | 13 | 14 | 15 | 16 | 17 | 18 |    |
| <b>0800</b> | <b>ELECTRICAL BOX</b>                    |             |        |   |   |   |   |   |   |   |   |   |    |    |    |    |    |    |    |    |    |    |
| 0801        | FUSE 250V 2A - TEMPORIZED                | 61003456    |        | • | • | • | • |   |   |   |   |   |    |    |    |    |    |    |    |    |    |    |
| 0802        | MODULE KIT (EEPROM)                      | 65105148    |        | • | • | • | • |   |   |   |   |   |    |    |    |    |    |    |    |    |    |    |
| 0803        | P.C.B (CLIP-IN) E-BUS                    | 65109108    |        | • | • | • | • |   |   |   |   |   |    |    |    |    |    |    |    |    |    |    |
| 0806        | PUSH                                     | 65104228    |        | • | • | • | • |   |   |   |   |   |    |    |    |    |    |    |    |    |    |    |
| 0809        | INSPECTION COVER                         | 65104294    |        | • | • | • | • |   |   |   |   |   |    |    |    |    |    |    |    |    |    |    |
| 0810        | PUSH BUTTON                              | 60000978    |        | • | • | • | • |   |   |   |   |   |    |    |    |    |    |    |    |    |    |    |
| 0814        | CONTROL PANEL                            | 65104300    |        | • | • | • | • |   |   |   |   |   |    |    |    |    |    |    |    |    |    |    |
| 0815        | P.C.B. (MAIN)                            | 65109313-02 |        | • | • | • | • |   |   |   |   |   |    |    |    |    |    |    |    |    |    |    |
| 0816        | PRINTED CIRCUIT BOARD (DISPLAY)          | 60000817-01 |        | • | • | • | • |   |   |   |   |   |    |    |    |    |    |    |    |    |    |    |
| 0818        | PUSH BUTTON ON/OFF                       | 60000836    |        | • | • | • | • |   |   |   |   |   |    |    |    |    |    |    |    |    |    |    |
| 0821        | PUSH BUTTON                              | 60000835    |        | • | • | • | • |   |   |   |   |   |    |    |    |    |    |    |    |    |    |    |
| 0822        | KNOB                                     | 60001003    |        | • | • | • | • |   |   |   |   |   |    |    |    |    |    |    |    |    |    |    |
| 0824        | CONTROL PANEL COVER (REAR)               | 65104293    |        | • | • | • | • |   |   |   |   |   |    |    |    |    |    |    |    |    |    |    |
| 0825        | PRESSURE GAUGE                           | 60000725    |        | • | • | • | • |   |   |   |   |   |    |    |    |    |    |    |    |    |    |    |
| 0826        | BUTTON (RESET)                           | 60000806    |        | • | • | • | • |   |   |   |   |   |    |    |    |    |    |    |    |    |    |    |
| 0851        | FRONT CONTROL PANEL COMPLETE             | 60000833    |        | • | • | • | • |   |   |   |   |   |    |    |    |    |    |    |    |    |    |    |
| 0855        | CABLE CLAMP                              | 571562      |        | • | • | • | • |   |   |   |   |   |    |    |    |    |    |    |    |    |    |    |
| 0856        | CABLE CLAMP                              | 65103377    |        | • | • | • | • |   |   |   |   |   |    |    |    |    |    |    |    |    |    |    |
| 0880        | EARTH WIRE                               | 65104286    |        | • | • | • | • |   |   |   |   |   |    |    |    |    |    |    |    |    |    |    |
|             | DISPLAY WIRING                           | 60000746    | / CN02 | • | • | • | • |   |   |   |   |   |    |    |    |    |    |    |    |    |    |    |
|             | NTC - PRES. SENSOR - GAS VALVE CABLE     | 60000840    | / CN04 | • | • | • | • |   |   |   |   |   |    |    |    |    |    |    |    |    |    |    |
|             | IONIZATION ELECTRODE CABLE               | 65104518    | / CN05 | • | • | • | • |   |   |   |   |   |    |    |    |    |    |    |    |    |    |    |
|             | SHUNT CABLE                              | 60000839    | / CN07 |   | • |   |   |   |   |   |   |   |    |    |    |    |    |    |    |    |    |    |
|             | THREE WAY VALVE CABLE                    | 65104523    | / CN09 | • | • | • | • |   |   |   |   |   |    |    |    |    |    |    |    |    |    |    |
|             | PUMP 1V CABLE                            | 65105081    | / CN10 | • | • | • | • |   |   |   |   |   |    |    |    |    |    |    |    |    |    |    |
|             | FAN CABLE                                | 65107270    | / CN10 |   |   | • | • |   |   |   |   |   |    |    |    |    |    |    |    |    |    |    |
|             | CLIP-IN E-BUS WIRING                     | 65105169    | / CN11 | • | • | • | • |   |   |   |   |   |    |    |    |    |    |    |    |    |    |    |
|             | FLOW METER CABLE                         | 60000813    | / CN14 | • | • | • | • |   |   |   |   |   |    |    |    |    |    |    |    |    |    |    |
|             | FEEDER 240V                              | 60000993    | / CN20 | • | • | • | • |   |   |   |   |   |    |    |    |    |    |    |    |    |    |    |
|             | NTC - OVERHEAT THER. - PRES SWITCH CABLE | 60000814    | / CN22 |   |   | • | • |   |   |   |   |   |    |    |    |    |    |    |    |    |    |    |
|             | NTC PROBE - OVERHEAT THERMOSTAT CABLE    | 60000838    | / CN22 |   | • |   |   |   |   |   |   |   |    |    |    |    |    |    |    |    |    |    |
|             | ROOM THERMOSTAT CABLE                    | 60000988    | / CN25 | • | • | • | • |   |   |   |   |   |    |    |    |    |    |    |    |    |    |    |
|             | NTC PROBE - OVERHEAT THERMOSTAT CABLE    | 65104708    | / CN22 | • |   |   |   |   |   |   |   |   |    |    |    |    |    |    |    |    |    |    |
| <b>0900</b> | <b>JIG PLATE &amp; PIPE FITTING</b>      |             |        |   |   |   |   |   |   |   |   |   |    |    |    |    |    |    |    |    |    |    |
| 0902        | WATER FLOW SERVICE TAP                   | 60000886    |        | • | • | • | • |   |   |   |   |   |    |    |    |    |    |    |    |    |    |    |
| 0903        | HOT WATER CONNECTION                     | 60000891    |        | • | • | • | • |   |   |   |   |   |    |    |    |    |    |    |    |    |    |    |
| 0904        | GAS SERVICE TAP                          | 60000898    |        | • | • | • | • |   |   |   |   |   |    |    |    |    |    |    |    |    |    |    |
|             | UNION                                    | 65105631    |        | • | • | • | • |   |   |   |   |   |    |    |    |    |    |    |    |    |    |    |
| 0905        | COLD WATER TAP                           | 60000894    |        | • | • | • | • |   |   |   |   |   |    |    |    |    |    |    |    |    |    |    |
| 0906        | WATER FLOW & RETURN SERVI. TAP           | 60000885    |        | • | • | • | • |   |   |   |   |   |    |    |    |    |    |    |    |    |    |    |
| 0907        | THERMOSTATIC MIXING VALVE                | 60001081    |        | • | • | • | • |   |   |   |   |   |    |    |    |    |    |    |    |    |    |    |
| 0910        | WALL HOOK                                | 60000625    |        | • | • | • | • |   |   |   |   |   |    |    |    |    |    |    |    |    |    |    |
| 0917        | SHEET GASKET D: 24-17-1.5                | 60061855-19 |        | • | • | • | • |   |   |   |   |   |    |    |    |    |    |    |    |    |    |    |
| 0922        | FILTER                                   | 60001087    |        | • | • | • | • |   |   |   |   |   |    |    |    |    |    |    |    |    |    |    |
| 0928        | DISCONNECTOR                             | 60000881    |        | • | • | • | • |   |   |   |   |   |    |    |    |    |    |    |    |    |    |    |
| 0930        | SHEET GASKET D: 11-5-1.5                 | 60061853-07 |        | • | • | • | • |   |   |   |   |   |    |    |    |    |    |    |    |    |    |    |
| 0936        | UNION                                    | 60000879    |        | • | • | • | • |   |   |   |   |   |    |    |    |    |    |    |    |    |    |    |
| 0937        | TUBE PVC D: 13x17 L: 1M                  | 60081266-02 |        | • | • | • | • |   |   |   |   |   |    |    |    |    |    |    |    |    |    |    |
| 0938        | TUBE PVC D: 9x12 L: 1M                   | 60081266    |        | • | • | • | • |   |   |   |   |   |    |    |    |    |    |    |    |    |    |    |
| 0939        | SHEET GASKET D: 16.5-11-1.5              | 60061854-14 |        | • | • | • | • |   |   |   |   |   |    |    |    |    |    |    |    |    |    |    |
| 0942        | FILLER NECK                              | 60001078    |        | • | • | • | • |   |   |   |   |   |    |    |    |    |    |    |    |    |    |    |
| <b>5000</b> | <b>ACCESSORIES</b>                       |             |        |   |   |   |   |   |   |   |   |   |    |    |    |    |    |    |    |    |    |    |
| 5001        | BURNER JET FULL KIT (LPG)                | 65104582    |        |   |   |   | • |   |   |   |   |   |    |    |    |    |    |    |    |    |    |    |
|             | BURNER JET FULL KIT (LPG)                | 65106690    |        | • |   | • |   |   |   |   |   |   |    |    |    |    |    |    |    |    |    |    |
| 5002        | BURNER JET FULL KIT (NG) FR              | 65104585    |        |   |   |   | • |   |   |   |   |   |    |    |    |    |    |    |    |    |    |    |
|             | BURNER JET FULL KIT (NG) FR              | 65106692    |        | • |   | • |   |   |   |   |   |   |    |    |    |    |    |    |    |    |    |    |
| 5020        | ROD PLATE                                | 60000999    |        | • | • | • | • |   |   |   |   |   |    |    |    |    |    |    |    |    |    |    |

## LIST OF THE ABBREVIATIONS

|             |  |
|-------------|--|
| HW .....    | : Hot water.                                   |
| CW .....    | : Cold water.                                  |
| C .....     | : Ceramic resistance (normal heating).         |
| Ca .....    | : Ceramic resistance (accelerated heating)     |
| TP .....    | : Immersion heater.                            |
| 1F .....    | : With fittings.                               |
| 2F .....    | : Without fittings.                            |
| 3F .....    | : With fittings and another outlet connection. |
| AMI .....   | : With mixing valve.                           |
| SMI .....   | : Without mixing valve.                        |
| PUISS ..... | : Power of th appliance.                       |
| PN .....    | : Appliance with normal pression.              |
| LP .....    | : Appliance with low pression.                 |
| PV .....    | : Appliance with variable power.               |
| PF .....    | : Appliance with fixed power.                  |

## IDENTIFICATION PLATE

### SERIAL NUMBER

|                             |                           |                                   |
|-----------------------------|---------------------------|-----------------------------------|
| <b>10 Characters :</b>      | 04 05 125 011             |                                   |
|                             | _____                     | Sequential number                 |
|                             | _____                     | Manufacturing day                 |
|                             | _____                     | Year of manufacture               |
| <b>11 Characters :</b>      | 1 95 065004 - 31          |                                   |
| Month of manufacture :      | _____                     | Technical number of the appliance |
| from 1 to 9 → Jan. to Sep., | _____                     | Sequential number                 |
| O → Oct., N → Nov.,         | _____                     | Year of manufacture               |
| D → Dec.                    | _____                     |                                   |
| <b>19 Characters :</b>      | 08 05 0013199 900640031   |                                   |
| Year of manufacture         | _____                     | Product reference                 |
| Month of manufacture        | _____                     | Sequential number                 |
| <b>20 Characters :</b>      | 3675007 XX 2 07 070 00315 |                                   |
| Product reference           | _____                     | Sequential number                 |
| Millenium of manufacture    | _____                     | Manufacturing day                 |
|                             | _____                     | Year of manufacture               |
| <b>21 Characters :</b>      | 3675007 XX 07 070 0000315 |                                   |
| Product reference           | _____                     | Sequential number                 |
| Year of manufacture         | _____                     | Manufacturing day                 |

The indications mentioned on the prices, commercial or technical literature and the scheme are written for your guidance and are available at a given time. The CONSTRUCTOR retains the power to modify the presentation, the form, the size, the conception or the material of the products.