

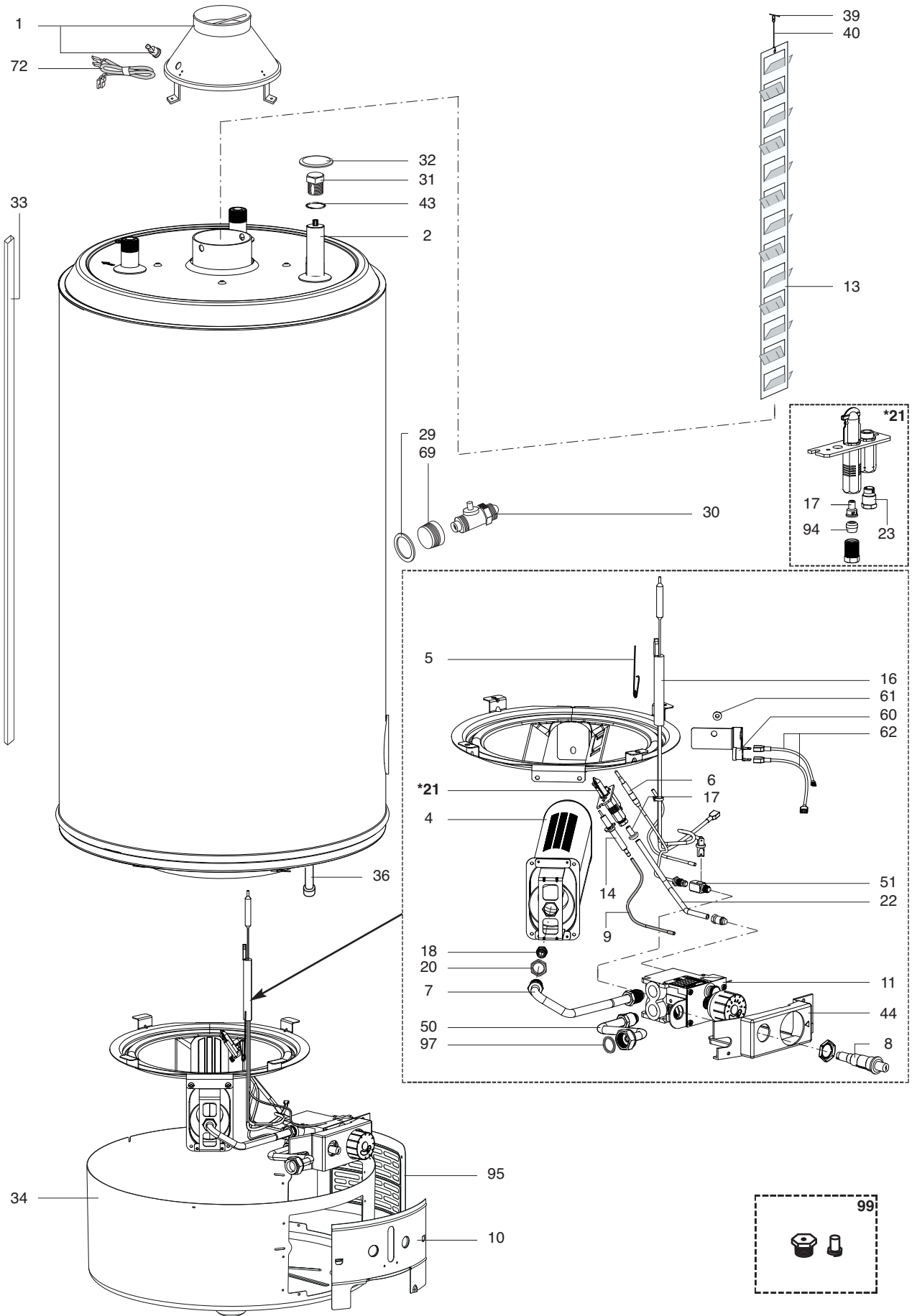
SPARE PARTS EXPLODED VIEW STORAGE GAS WATER HEATERS

Model

AG LNX

R8218686-01 - 22/04/2021

1	3211173	AG LNX 120	12-2020	-
2	3211174	AG LNX 160	12-2020	-
3	3211175	AG LNX 200	12-2020	-
Col	Reference	Model type	Begin	End



☉⇒	Description	Manf. Pt. N	Type	<div style="float: right; border: 1px solid black; padding: 2px;"> 120 LT 180 LT 200 LT </div>																		<div style="float: right; border: 1px solid black; padding: 2px;"> 31 </div>	
				1	2	3	4	5	6	7	8	9	10	11	12	13	14	15	16	17	18	From	to
0001	FLUE HOOD (COMPLETE)	65119896		•	•																		
	FLUE HOOD (COMPLETE)	65119899				•																	
0002	ANODE (D.22,3 L:661 M8)	65102435			•																		
	ANODE D:21,3 L:550 M5-M8	993207-01		•																			
	ANODE D:21,3 L:800 M8	291086						•															
0004	BURNER (MAIN)	65117893						•															
	MAIN BURNER	65118007		•	•																		
0005	SPRING (PROBE CLAMP)	290356		•	•	•																	
0006	THERMOCOUPLE	65119760		•	•	•																	
0007	PIPE (GAS VALVE-MAIN BURNER)	65119898		•	•	•																	
0008	PUSH BUTTON (PIEZO)	200254		•	•	•																	
0009	CABLE (PIEZO IGNITION)	200252		•	•	•																	
0010	COVER (INSPECTION)	290947		•	•	•																	
0011	GAS VALVE	65117892		•	•	•																	
0013	FLUE BAFFLE	289296				•																	
	FLUE BAFFLE	65120359		•																			
	FLUE BAFFLE	65120403				•																	
0014	ELECTRODE D'ALLUMAGE	65120358		•	•	•																	
0016	THERMOSTAT (SAFETY)	65117895		•	•	•																	
0017	BURNER JET (PILOT-D=27GN)	289202	NG	•	•	•																	
	BURNER JET D=22 LPG	65117839	LPG	•	•	•																	
0018	BURNER JET (M11 D.1.40)	65120379	LPG	•	•																		
	BURNER JET (M11 D.2.25)	65120357	NG	•	•																		
	MAIN BURNER JET	65117900	LPG			•																	
	MAIN BURNER JET	65117894	NG			•																	
0020	NUT	65120433		•	•	•																	
0021	PILOT BURNER + NG JET	65120356		•	•	•																	
0022	PIPE (GAS VALVE/PILOT BURNER)	65117897		•	•	•																	
0023	THERMOCOUPLE FIXING FITTING	65120432		•	•	•																	
0025	SAFETY VALVE (3/4" 6,5 BAR)	60001310		•	•	•																	
0029	RUBBER GASKET	290128		•	•	•																	
0031	PLUG	230536		•	•	•																	
0032	BOSS	220550		•	•	•																	
0033	ADHESIVE CHANNEL (THERMAL PROTECTOR)	65103128		•																			
	ADHESIVE CHANNEL (THERMAL PROTECTOR)	65103132				•																	
	ADHESIVE CHANNEL (THERMAL PROTECTOR)	65103133						•															
0034	BASE (WHITE)	65120405		•	•	•																	
0036	SHEATH	65117318				•	•																
	SHEATH	990475		•																			
0039	SPRING (FLUE BAFFLE SUPPORT)	290450		•	•	•																	
0040	EXTENSION (FLUE BAFFLE - L=342MM)	290017				•																	
0043	O-RING	289442		•	•	•																	
0044	GAS VALVE SUPPORT	220716		•	•	•																	
0050	PIPE (G3/8" GAS INLET)	65117898		•	•	•																	
0051	SAFETY BLOCK	243005		•	•	•																	
0060	THERMAL PROTECTION 120°	65119601		•	•	•																	
0061	FLANGE NUT	65119427		•	•	•																	
0062	WIRING THERMOSTAT (SAFETY)	65119426		•	•	•																	
0069	DISCHARGE PLUG	230519		•	•	•																	
0072	CABLE (THERMAL PROTECTION)	65119897		•	•	•																	
0094	BICONIC UNION	346096		•	•	•																	
0095	DOOR (WHITE)	65120406		•	•	•																	
0097	GASKET 18,5X11,5x2	290119		•	•	•																	
0099	GAS BURNER JET FULL KIT G31	65120434		•	•																		
	GAS BURNER JET FULL KIT G31	65120436				•																	

LIST OF THE ABBREVIATIONS

HW	: Hot water.
CW	: Cold water.
C	: Ceramic resistance (normal heating).
Ca	: Ceramic resistance (accelerated heating)
TP	: Immersion heater.
1F	: With fittings.
2F	: Without fittings.
3F	: With fittings and another outlet connection.
AMI	: With mixing valve.
SMI	: Without mixing valve.
PUISS	: Power of th appliance.
PN	: Appliance with normal pression.
LP	: Appliance with low pression.
PV	: Appliance with variable power.
PF	: Appliance with fixed power.

IDENTIFICATION PLATE

SERIAL NUMBER

6 Characters :
 Year of manufacture 03 09 08 Manufacturing day
 Month of manufacture

9 Characters :
 Year of manufacture 5 9 12 0606 Sequential number
 Month of manufacture

14 Characters :

SI-V-0B0 45 07 0001
 Sequential number
 Year of manufacture : 6 → 2004
 Month of manufacture : → 25 → January 43 → July 7 → 2005
 13 → February 29 → August 8 → 2006
 32 → March 40 → September etc ...
 35 → April 38 → October
 39 → May 51 → November
 45 → June 12 → December

14 Characters :
 111518 XX 000010
 Month of manufacture Sequential number
 Day of manufacture Year of manufacture

15 Characters :
 02 11 00001 007843
 Year of manufacture Product reference
 Month of manufacture Sequential number

21 Characters :
 3200050 XX 08115 0000001
 Product reference Sequential number
 Year (08) / Manufacturing day (115)

22 Characters :
 3200050 XX 070115 0000001
 Product reference Sequential number
 Year (07) / Month (01) / Manufacturing day (15)