



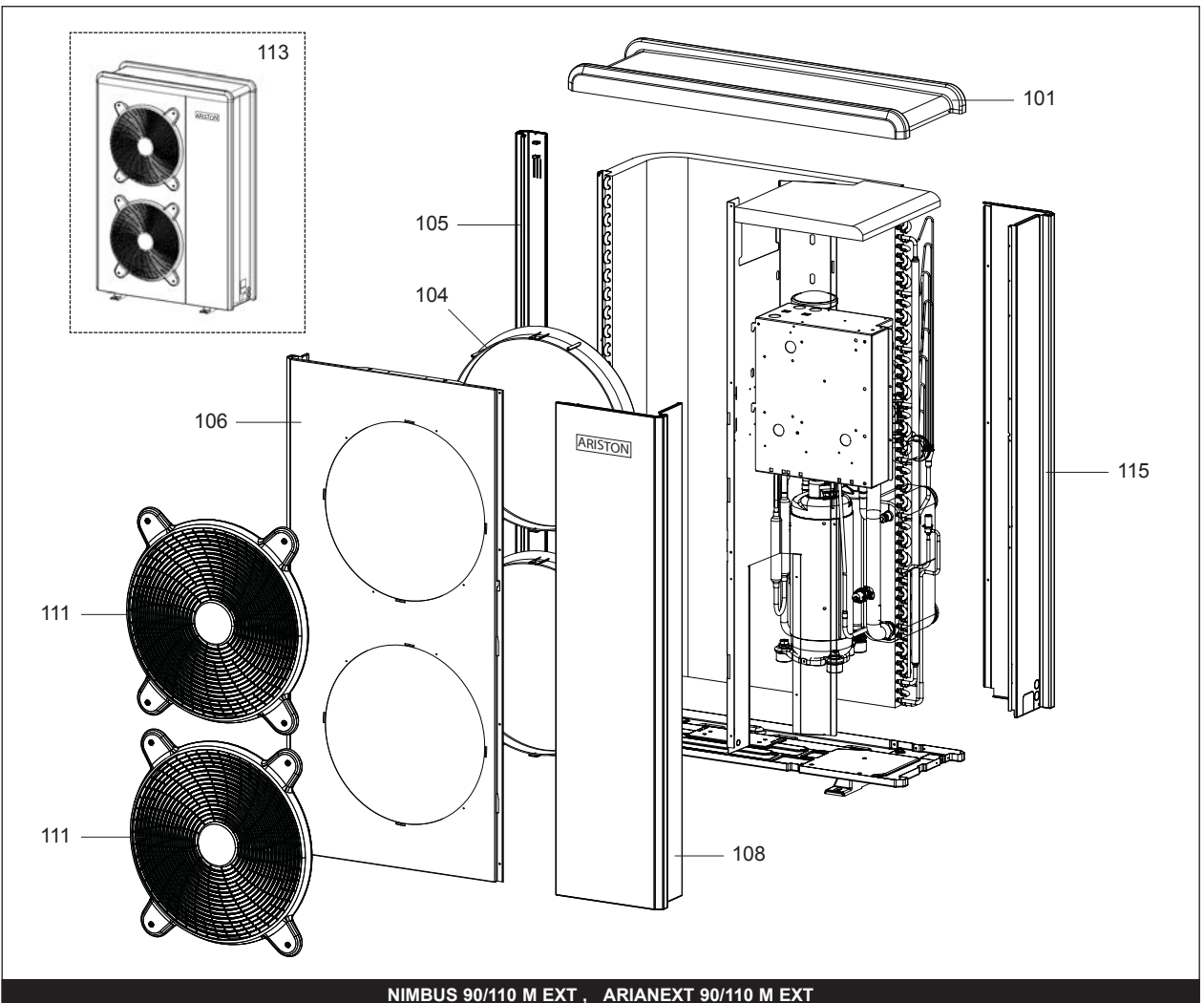
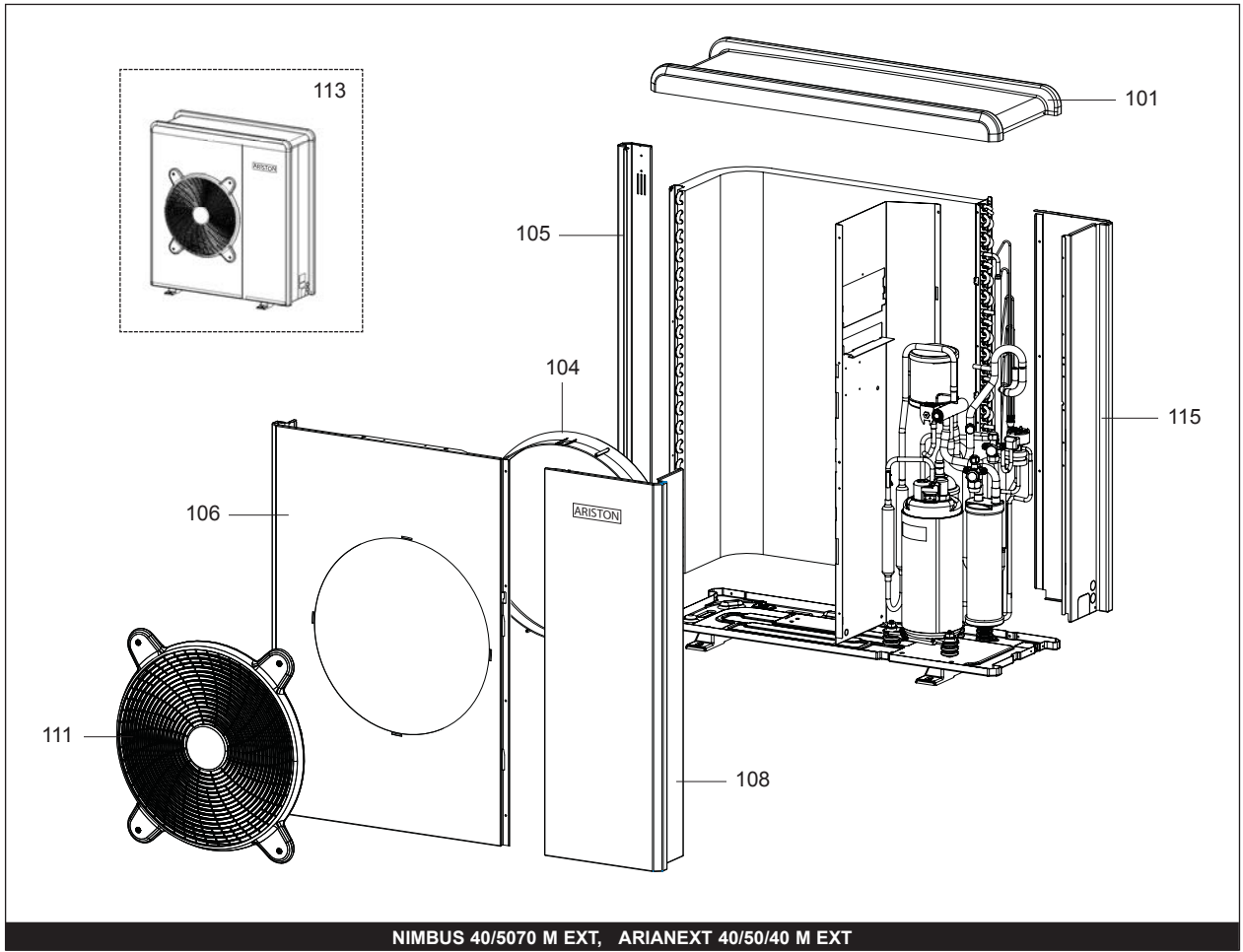
SPARE PARTS EXPLODED VIEW HEAT PUMPS

Model

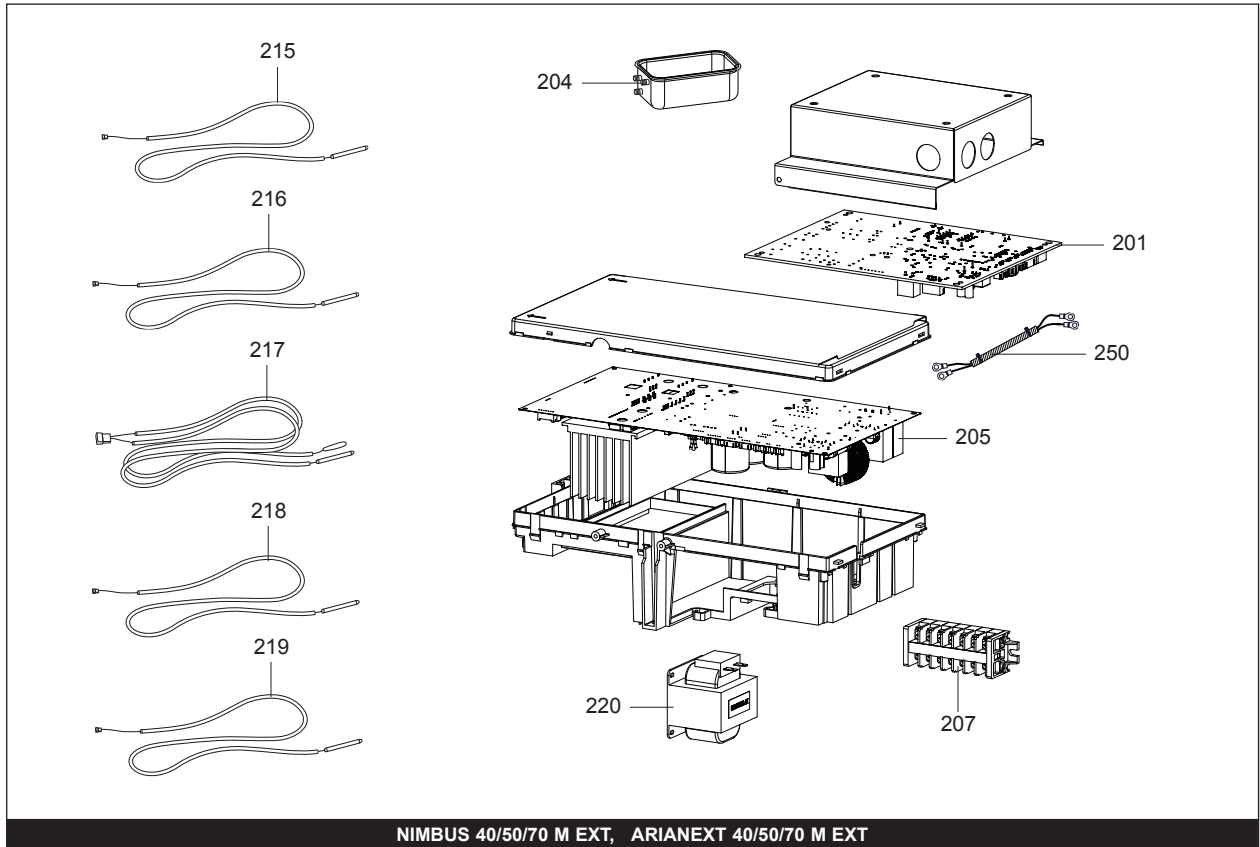
NIMBUS/ARIANEXT M EXT

R8218067-10 - 23/02/2021

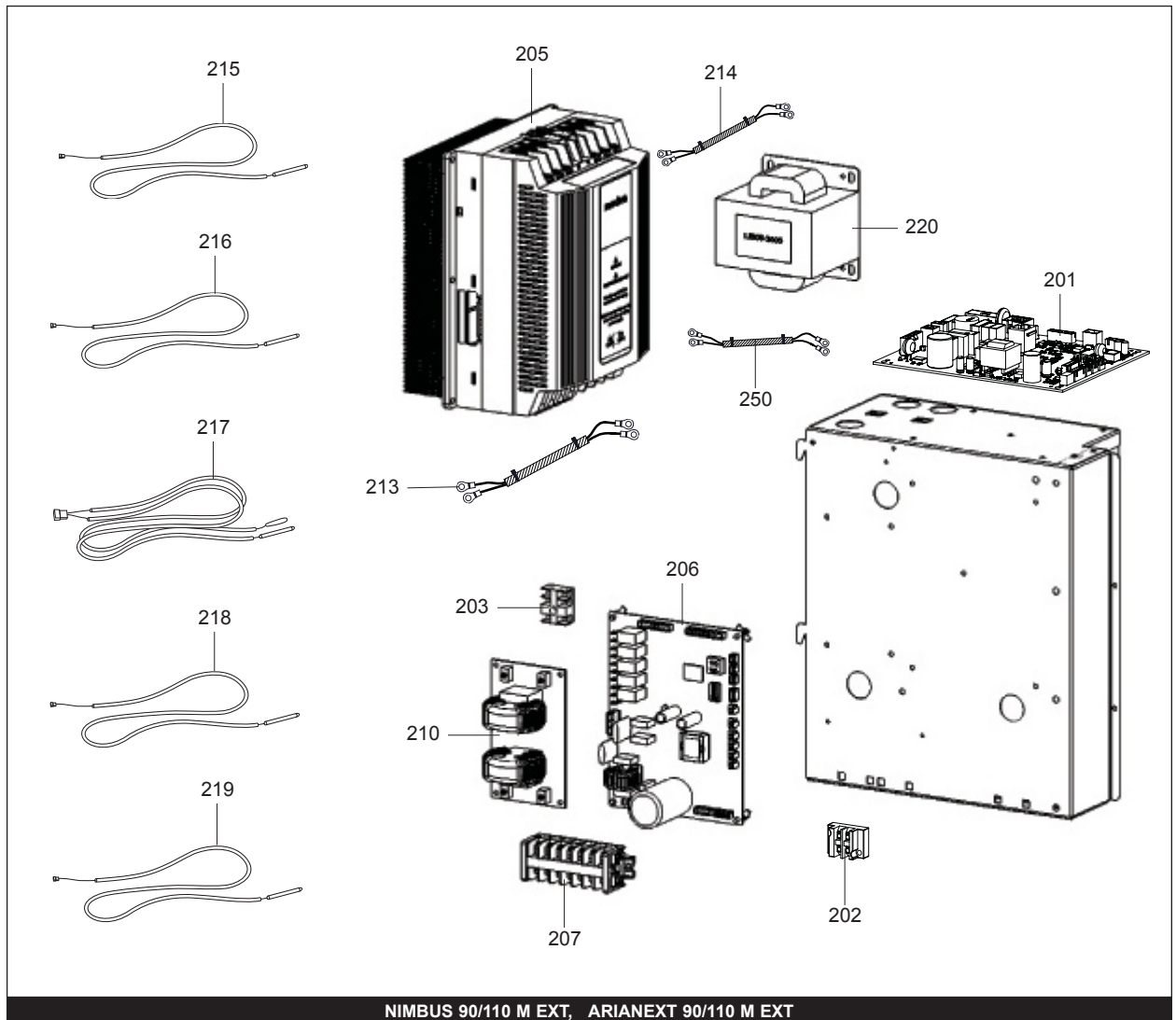
| 1 | 3630184 | NIMBUS 40 M EXT | 06-2017 | - |
|-----|-----------|--------------------|---------|-----|
| 2 | 3630190 | ARIANEXT 40 M EXT | 06-2017 | - |
| 3 | 3630185 | NIMBUS 50 M EXT | 06-2017 | - |
| 4 | 3630191 | ARIANEXT 50 M EXT | 06-2017 | - |
| 5 | 3630186 | NIMBUS 70 M EXT | 06-2017 | - |
| 6 | 3630192 | ARIANEXT 70 M EXT | 06-2017 | - |
| 7 | 3630204 | NIMBUS 90 M EXT | 06-2018 | - |
| 8 | 3630208 | ARIANEXT 90 M EXT | 06-2018 | - |
| 9 | 3630205 | NIMBUS 110 M EXT | 06-2018 | - |
| 10 | 3630209 | ARIANEXT 110 M EXT | 06-2018 | - |
| Col | Reference | Model type | Begin | End |



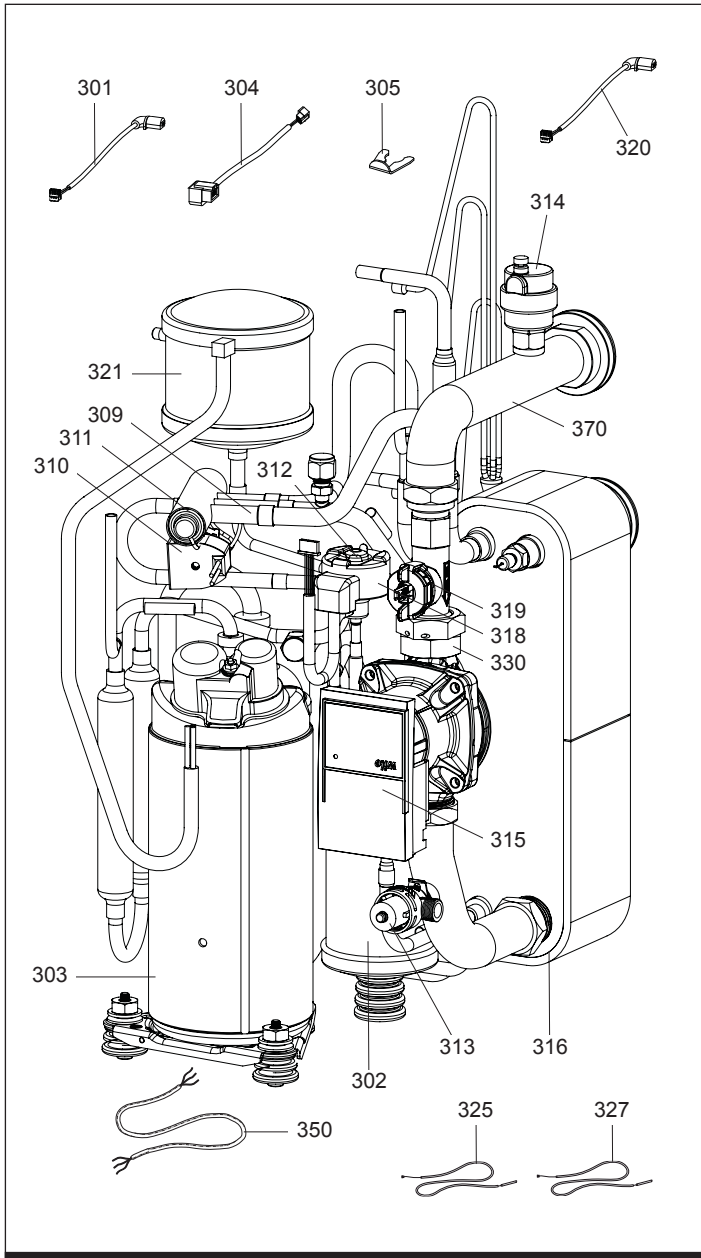
| ☉⇒ | Description | Manf. Pt. N | Type | <div style="display: flex; justify-content: space-between; font-size: small;"> NIMBUS 40 M EXT ARIANEXT 40 M EXT NIMBUS 50 M EXT ARIANEXT 50 M EXT NIMBUS 70 M EXT ARIANEXT 70 M EXT NIMBUS 90 M EXT ARIANEXT 90 M EXT NIMBUS 110 M EXT ARIANEXT 110 M EXT </div> | | | | | | | | | | | <div style="border: 1px solid black; padding: 2px; display: inline-block;">31</div> | | | | | | |
|------|-----------------------|-------------|------|---|---|---|---|---|---|---|---|---|----|----|---|----|----|----|----|----|----|
| | | | | 1 | 2 | 3 | 4 | 5 | 6 | 7 | 8 | 9 | 10 | 11 | 12 | 13 | 14 | 15 | 16 | 17 | 18 |
| 0100 | CHASSIS-FRONT CASE | | | | | | | | | | | | | | | | | | | | |
| 0101 | TOP COVER | 65153037 | | • | • | • | • | • | • | • | • | • | • | | | | | | | | |
| 0104 | BLAST TUBE | 65153042 | | • | • | • | • | • | • | • | • | • | • | | | | | | | | |
| 0105 | LEFT PILLAR | 65153045 | | • | • | • | • | | | | | | | | | | | | | | |
| | LEFT PILLAR | 65153055 | | | | | | • | • | | | | | | | | | | | | |
| | LEFT PILLAR | 65153066 | | | | | | | | • | • | • | • | | | | | | | | |
| 0106 | FRONT PANEL | 65153043 | | • | • | • | • | | | | | | | | | | | | | | |
| | FRONT PANEL | 65153409 | | | | | | • | • | | | | | | | | | | | | |
| | FRONT PANEL | 65153417 | | | | | | | | • | • | • | • | | | | | | | | |
| 0108 | FRONT RIGHT PANEL | 65153039 | | • | • | • | • | | | | | | | | | | | | | | |
| | FRONT RIGHT PANEL | 65153051 | | | | | | • | • | | | | | | | | | | | | |
| | FRONT RIGHT PANEL | 65153063 | | | | | | | | • | • | • | • | | | | | | | | |
| 0111 | FRONT GRILL | 65113465 | | • | • | • | • | • | • | • | • | • | • | • | | | | | | | |
| 0113 | COMPLETE OUTDOOR UNIT | 65153403 | | • | • | | | | | | | | | | | | | | | | |
| | COMPLETE OUTDOOR UNIT | 65153404 | | | | • | • | | | | | | | | | | | | | | |
| | COMPLETE OUTDOOR UNIT | 65153411 | | | | | | • | • | | | | | | | | | | | | |
| | COMPLETE OUTDOOR UNIT | 65153710 | | | | | | | | • | • | | | | | | | | | | |
| | COMPLETE OUTDOOR UNIT | 65153711 | | | | | | | | | | • | • | | | | | | | | |
| 0115 | REAR RIGHT CLAPBOARD | 65153400 | | • | • | • | • | | | | | | | | | | | | | | |
| | REAR RIGHT CLAPBOARD | 65153406 | | | | | | • | • | | | | | | | | | | | | |
| | REAR RIGHT CLAPBOARD | 65153414 | | | | | | | | • | • | • | • | | | | | | | | |



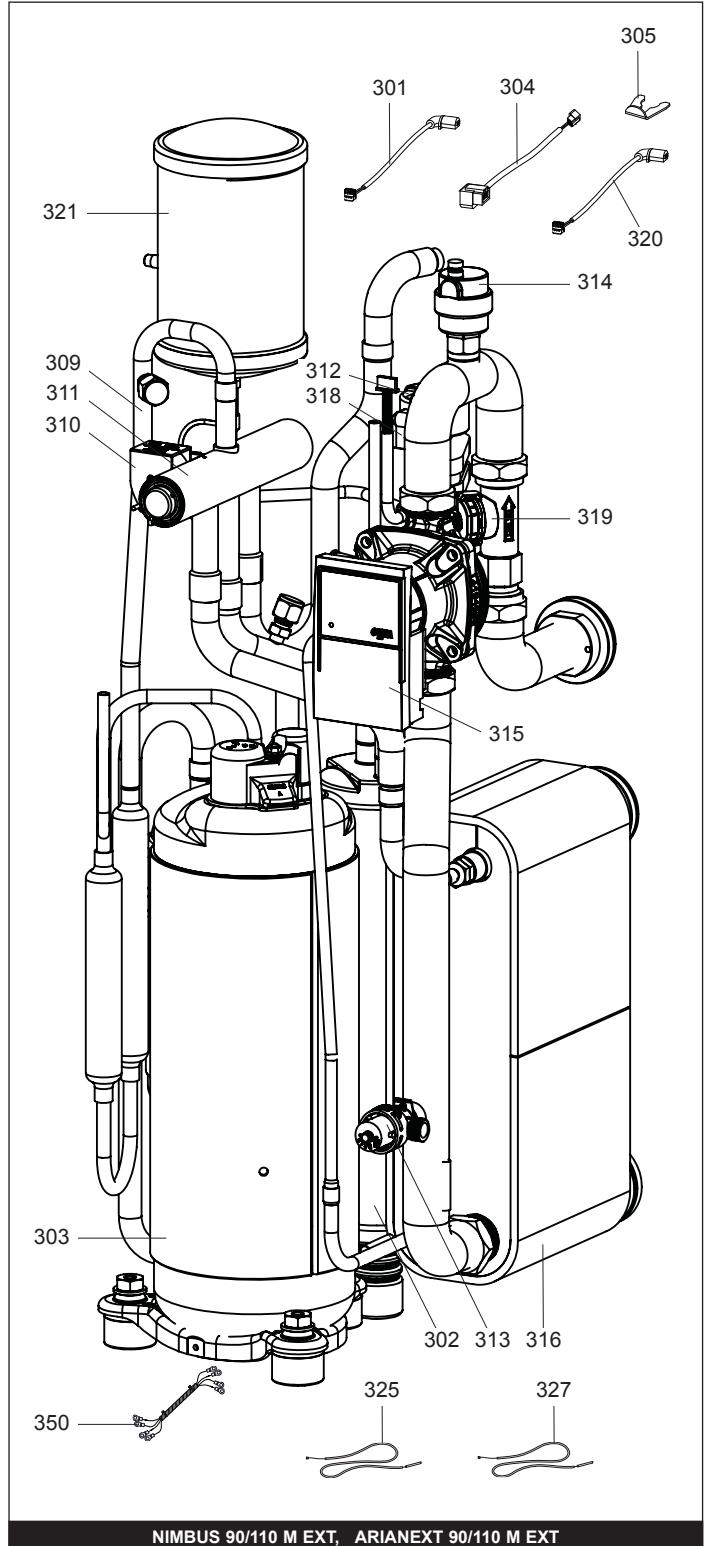
NIMBUS 40/50/70 M EXT, ARIANEXT 40/50/70 M EXT



NIMBUS 90/110 M EXT, ARIANEXT 90/110 M EXT



NIMBUS 40/50/70 M EXT, ARIANEXT 40/50/70 M EXT

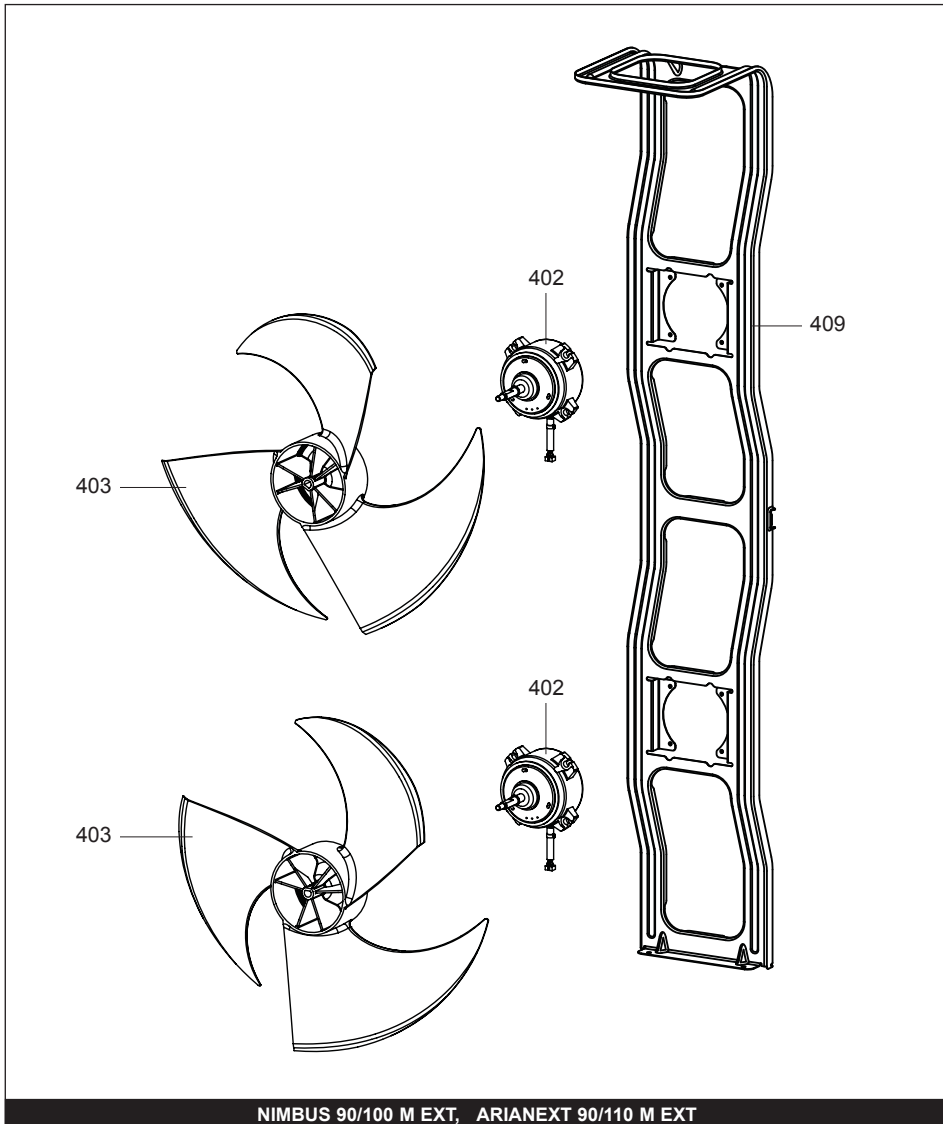
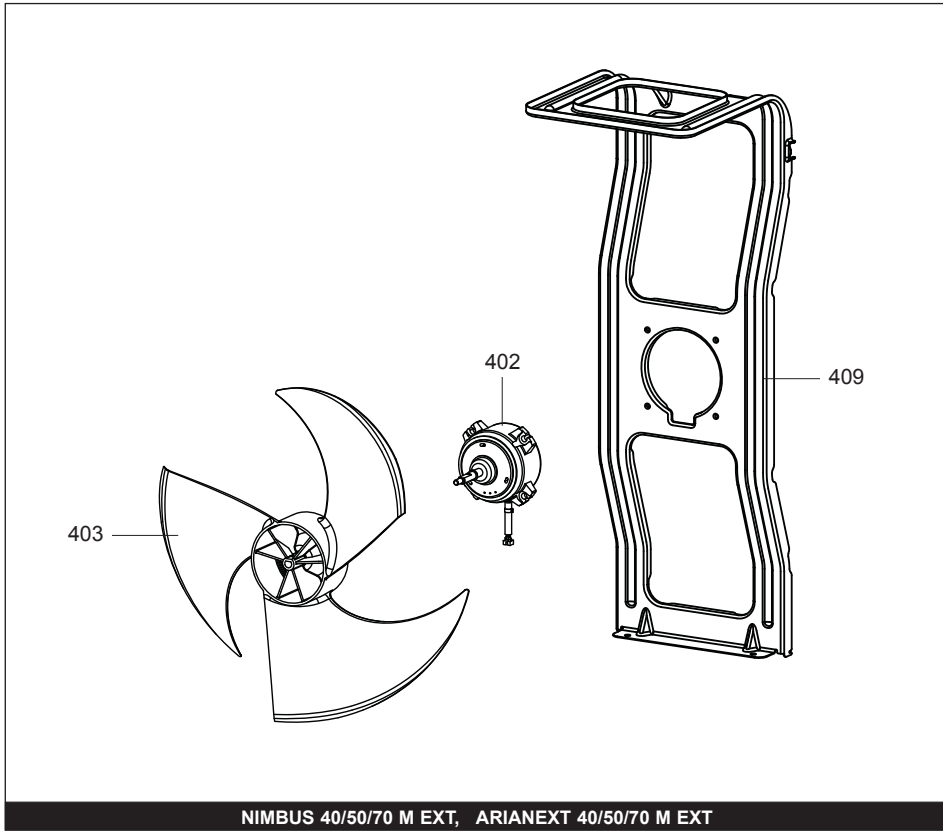


NIMBUS 90/110 M EXT, ARIANEXT 90/110 M EXT

| ☉⇒ | Description | Manf. Pt. N | Type | <div style="display: flex; justify-content: space-between; font-size: small;"> NIMBUS 40 M EXT ARIANEXT 40 M EXT NIMBUS 50 M EXT ARIANEXT 50 M EXT NIMBUS 70 M EXT ARIANEXT 70 M EXT NIMBUS 90 M EXT ARIANEXT 90 M EXT NIMBUS 110 M EXT ARIANEXT 110 M EXT </div> | | | | | | | | | | | <div style="border: 1px solid black; padding: 2px; display: inline-block;">31</div> | | | | | | |
|------|--------------------------------|-------------|------|---|---|---|---|---|---|---|---|---|----|----|---|----|----|----|----|----|----|
| | | | | 1 | 2 | 3 | 4 | 5 | 6 | 7 | 8 | 9 | 10 | 11 | 12 | 13 | 14 | 15 | 16 | 17 | 18 |
| 0300 | REFRIGERATION UNIT | | | | | | | | | | | | | | | | | | | | |
| 0301 | CABLE PUMP SPEED CONTROL (PWM) | 65118636 | | ● | ● | ● | ● | ● | ● | ● | ● | ● | ● | | | | | | | | |
| 0302 | LIQUID ACCUMULATOR | 65153402 | | ● | ● | ● | ● | | | | | | | | | | | | | | |
| | LIQUID ACCUMULATOR | 65153410 | | | | | | ● | ● | | | | | | | | | | | | |
| | LIQUID ACCUMULATOR | 65153418 | | | | | | | | ● | ● | ● | ● | | | | | | | | |
| 0303 | COMPRESSOR ATF250 (GMCC) | 65153049 | | | | | | ● | ● | | | | | | | | | | | | |
| | COMPRESSOR ATQ360 (GMCC) | 65153060 | | | | | | | | ● | ● | ● | ● | | | | | | | | |
| | COMPRESSOR DA150 (GMCC) | 65153036 | | ● | ● | ● | ● | | | | | | | | | | | | | | |
| 0304 | WIRING PUMP YONOS PARA | 65118223 | | ● | ● | ● | ● | ● | ● | ● | ● | ● | ● | ● | ● | ● | ● | ● | ● | ● | ● |
| 0305 | CLIP D10 | 65104260 | | ● | ● | ● | ● | ● | ● | ● | ● | ● | ● | ● | ● | ● | ● | ● | ● | ● | ● |
| 0309 | 4-WAY VALVE LINE ASSY | 65153399 | | ● | ● | ● | ● | | | | | | | | | | | | | | |
| | 4-WAY VALVE LINE ASSY | 65153405 | | | | | | ● | ● | | | | | | | | | | | | |
| | 4-WAY VALVE LINE ASSY | 65153413 | | | | | | | | ● | ● | ● | ● | | | | | | | | |
| 0310 | 4-WAY VALVE COIL | 65101547 | | ● | ● | ● | ● | ● | ● | ● | ● | ● | ● | ● | ● | ● | ● | ● | ● | ● | ● |
| 0311 | 4-WAY VALVE STF-02 | 65073630 | | ● | ● | ● | ● | | | | | | | | | | | | | | |
| | 4-WAY VALVE STF-04 | 65073632 | | | | | | | | ● | ● | ● | ● | | | | | | | | |
| | 4-WAY VALVE WITH COIL | 65073701 | | | | | | ● | ● | | | | | | | | | | | | |
| 0312 | ELECTRONIC EXPANSION VALVE | 65153034 | | ● | ● | ● | ● | | | | | | | | | | | | | | |
| | ELECTRONIC EXPANSION VALVE | 65153048 | | | | | | ● | ● | | | | | | | | | | | | |
| | ELECTRONIC EXPANSION VALVE | 65153059 | | | | | | | | ● | ● | ● | ● | | | | | | | | |
| 0313 | PRESSURE RELIEF VALVE (3 BAR) | 61312668 | | ● | ● | ● | ● | ● | ● | ● | ● | ● | ● | ● | ● | ● | ● | ● | ● | ● | ● |
| 0314 | AUTO AIR VENT WITH O-RING | 65117054 | | ● | ● | ● | ● | ● | ● | ● | ● | ● | ● | ● | ● | ● | ● | ● | ● | ● | ● |
| 0315 | PUMP | 65116765 | | ● | ● | ● | ● | | | | | | | | | | | | | | |
| | PUMP | 65153435 | | | | | | ● | ● | ● | ● | ● | ● | | | | | | | | |
| 0316 | PLATE HEAT-EXCHANGER | 65153401 | | ● | ● | ● | ● | | | | | | | | | | | | | | |
| | PLATE HEAT-EXCHANGER | 65153407 | | | | | | ● | ● | | | | | | | | | | | | |
| | PLATE HEAT-EXCHANGER | 65153415 | | | | | | | | ● | ● | ● | ● | | | | | | | | |
| 0318 | ELECTROVALVE COIL | 65153035 | | ● | ● | ● | ● | ● | ● | ● | ● | ● | ● | ● | ● | ● | ● | ● | ● | ● | ● |
| 0319 | FLOW SWITCH | 65119093 | | ● | ● | ● | ● | ● | ● | ● | ● | ● | ● | ● | ● | ● | ● | ● | ● | ● | ● |
| 0320 | FLOW SWITCH WIRE | 65153946 | | ● | ● | ● | ● | ● | ● | ● | ● | ● | ● | ● | ● | ● | ● | ● | ● | ● | ● |
| 0321 | LIQUID RECEIVER | 65153047 | | ● | ● | ● | ● | | | | | | | | | | | | | | |
| | LIQUID RECEIVER | 65153057 | | | | | | ● | ● | | | | | | | | | | | | |
| | LIQUID RECEIVER | 65153068 | | | | | | | | ● | ● | ● | ● | | | | | | | | |
| 0325 | PROBE LWT | 65153396 | | ● | ● | ● | ● | ● | ● | ● | ● | ● | ● | ● | ● | ● | ● | ● | ● | ● | ● |
| 0327 | PROBE EWT | 65153398 | | ● | ● | ● | ● | ● | ● | ● | ● | ● | ● | ● | ● | ● | ● | ● | ● | ● | ● |
| 0330 | NIPPLE (BRASS) | 65154646 | | ● | ● | ● | ● | ● | ● | | | | | | | | | | | | |
| 0350 | COMPRESSOR CABLE | 65116766 | | ● | ● | ● | ● | ● | ● | | | | | | | | | | | | |
| | COMPRESSOR CABLE | 65153731 | | | | | | | | ● | ● | ● | ● | | | | | | | | |
| 0370 | PUMP INLET PIPE | 65154872 | | ● | ● | ● | ● | ● | ● | | | | | | | | | | | | |

NIMBUS/ARIANEXT M EXT

Heat pumps



LIST OF THE ABBREVIATIONS

| | |
|-------------|--|
| HW | : Hot water. |
| CW | : Cold water. |
| C | : Ceramic resistance (normal heating). |
| Ca | : Ceramic resistance (accelerated heating) |
| TP | : Immersion heater. |
| 1F | : With fittings. |
| 2F | : Without fittings. |
| 3F | : With fittings and another outlet connection. |
| AMI | : With mixing valve. |
| SMI | : Without mixing valve. |
| PUISS | : Power of th appliance. |
| PN | : Appliance with normal pression. |
| LP | : Appliance with low pression. |
| PV | : Appliance with variable power. |
| PF | : Appliance with fixed power. |

The indications mentioned on the prices, commercial or technical literature and the scheme are written for your guidance and are available at a given time. The CONSTRUCTOR retains the power to modify the presentation, the form, the size, or the conception or the material of the products.
