

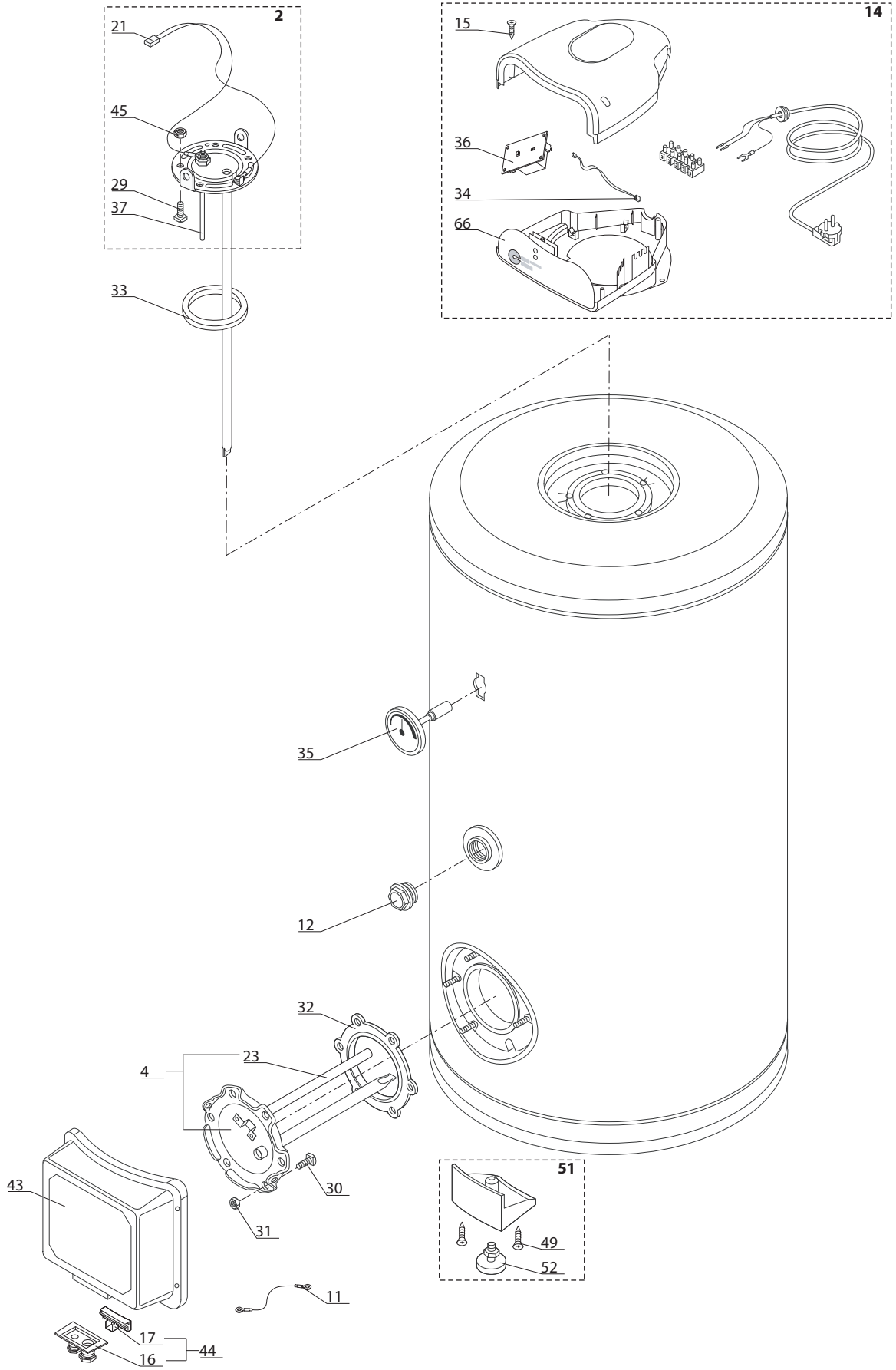
SPARE PARTS EXPLODED VIEW BOILERS

Model

AS PROTECH

R8202989-08 - 03/04/2012

1	500053156990	CHX 150 BS1S PT	10/08
2	500053206990	CHX AS 200 PT / 1S	03/05	...
2	500053206980	CHX AS 200 PT / 2S	06/05	...
3	500053306990	CHX AS 300 PT / 1S	07/05	...
4	500053306980	CHX AS 300 PT / 2S	03/05	...
4	892 988	CHX AS 400 PT / 1S	05/06	01/09
4	307 0154	CHX AS 400 PT / 1S	03/09	...
4	892 990	CHX AS 400 PT / 2S	06/05	01/09
4	307 0156	CHX AS 400 PT / 2S	04/09	...
5	892 989	CHX AS 500 PT / 1S	04/06	12/08
5	307 0155	CHX AS 500 PT / 1S	03/09	...
5	892 991	CHX AS 500 PT / 2S	04/06	12/08
5	307 0157	CHX AS 500 PT / 2S	03/09	...
Col	Reference	Model type	Begin	End



☉⇒	Description	Manf. Pt. N	Type	<div style="display: flex; justify-content: space-between; align-items: center;"> <div style="text-align: right;"> 150 L 200 L 300 L 400 L 500 L </div> <div style="border: 1px solid black; padding: 2px;"> 31 </div> </div>																		1	2	3	4	5	6	7	8	9	10	11	12	13	14	15	16	17	18		
0002	FLANGE PLATE 6 HOLES (COMPLETE + ANODE)	60001123						•															07/08	06/09																	
	FLANGE PLATE 6 HOLES (COMPLETE + ANODE)	60001124							•														07/08	06/09																	
	FLANGE PLATE 6 HOLES (COMPLETE + ANODE)	60001270						•															07/09																		
	FLANGE PLATE 6 HOLES (COMPLETE + ANODE)	60001637							•														07/09																		
	MATING FLANGE	61314457		•	•	•																																			
	FLANGE PLATE (COMPLETE WITH ANODE)	65101338						•																06/08																	
	FLANGE PLATE (COMPLETE WITH ANODE)	65101339							•															06/08																	
0004	FLANGE WITH ANODE	923189		•	•	•	•																																		
0011	EARTH WIRE	60001115						•	•														07/08																		
0012	PLUG + SEALING RING	61310637			•	•	•	•																																	
0014	ELECTRICAL BOX	925355		•	•	•	•	•																																	
0015	SELF-DRILLING SCREW	60077024		•	•	•																																			
	SCREW (3.9X19)	918036						•	•																																
0016	WIRE PIN BRACKET	926071		•	•	•	•																																		
0017	SUPPORT	926303		•	•	•	•																																		
0021	CABLE (ANODE-PROTECH)	340409						•	•															01/08																	
	CABLE (ELECTRODE)	60000344						•															02/08	06/09																	
	CABLE (ELECTRODE)	60000344							•														02/08																		
	CABLE (ELECTRODE) > P.C.B.	60001108		•	•	•																	02/08																		
	CABLE (ELECTRODE) > P.C.B.	60001108						•															07/09																		
	CABLE	61312173		•	•	•																		01/08																	
0023	ANODE D:21,3 L:390 M5-M8	993312-01			•	•																	01/08																		
	ANODE D:21,3 L:390 M5-M8	993312-01						•	•														07/08																		
0029	SCREW	61005231		•	•	•																																			
	SELF TAPPING SCREW M 8-16	61315253						•	•														07/09																		
	SCREW (M8X25)	918001						•	•														06/08																		
	SCREW (M10X32)	918061						•	•														07/08	06/09																	
0030	SCREW (M10X32)	918061		•	•	•	•																																		
0031	NUT M10	64912308		•	•																																				
	NUT (M10)	918041						•	•																																
0032	FLANGE GASKET 6 STUD	924002		•	•	•	•																																		
0033	FLANGE GASKET D:121.3-105-7.1	60071829		•	•	•																																			
	FLANGE GASKET D:121.3-105-7.1	60071829						•	•														07/09																		
	FLANGE GASKET 5 HOLES	924001						•	•														06/08																		
	FLANGE GASKET 6 STUD	924002						•	•														07/08	06/09																	
0034	CABLE (ELECTRODE) > P.C.B.	60000475		•	•	•	•	•															02/08																		
0035	THERMOMETER	65101326		•	•	•	•	•																																	
0036	P.C.B. (ANODE - PROTECH)	925348-01		•	•	•	•	•																																	
0037	ANODE (PROTECH)	340406		•	•	•	•	•																																	
0043	PLASTIC COVER	926301		•	•																																				
	PLASTIC COVER	926302						•	•																																
0044	KIT (CABLE-HOLDER)	996644		•	•	•	•																																		
0045	NUT (M8)	918004						•	•														06/08																		
	NUT (M10)	918041						•	•														07/08	06/09																	
0049	SELF-DRILLING SCREW	61005324		•	•	•																																			
	SCREW (3.9X22)	918113						•	•																																
0051	FOOT (COMPLETE)	926168		•	•	•	•	•																																	
0052	FOOT M10X40	918063		•	•	•	•	•																																	
0065	BOX COVER	926299		•	•	•	•	•																																	
0066	BASE - BOX	60000711		•	•	•	•	•																																	

LIST OF THE ABBREVIATIONS

HW	: Hot water.
CW	: Cold water.
C	: Ceramic resistance (normal heating).
Ca	: Ceramic resistance (accelerated heating)
TP	: Immersion heater.
1F	: With fittings.
2F	: Without fittings.
3F	: With fittings and another outlet connection.
AMI	: With mixing valve.
SMI	: Without mixing valve.
PUISS	: Power of th appliance.
PN	: Appliance with normal pression.
LP	: Appliance with low pression.
PV	: Appliance with variable power.
PF	: Appliance with fixed power.

IDENTIFICATION PLATE

SERIAL NUMBER

9 Characters : 07 91 00301 (from 01/77 to 12/92)

Month of manufacture _____ Sequential number
Year of manufacture _____

10 Characters : 95 01 065004 (from 01/93 to 06/95)

Year of manufacture _____ Sequential number
Month of manufacture _____

OU

10 Characters : 01 95 065004 (from 07/95)

Month of manufacture _____ Sequential number
Year of manufacture _____

12 Characters : 924 2 3 134 0115

Product reference _____ Sequential number
Year of manufacture _____ Manufacturing day

15 ou 16 Characters : (0)03 070 0001 893077 (from 01/97 to 01/05)

Year of manufacture _____ Product reference
Day of manufacture _____ Sequential number

OU

16 Characters : 05 070 0001 0000000 (from 02/05)

Year of manufacture _____ Product reference
Day of manufacture _____ Sequential number

17 Characters : 07 070 00315 3070107

Year of manufacture _____ Product reference
Sequential number
Manufacturing day (70)

21 Characters : 3000115 XX 08115 0000001

Product reference _____ Sequential number
Year (08) / Manufacturing day (115)

22 Characters : 3000115 XX 070416 0000001

Product reference _____ Sequential number
Year (07) / Month (04) / Manufacturing day (16)

The indications mentioned on the prices, commercial or technical literature and the scheme are written for your guidance and are available at a given time. The CONSTRUCTOR retains the power to modify the presentation, the form, the size, the conception or the material of the products.