



# SPARE PARTS EXPLODED VIEW BOILERS

Model

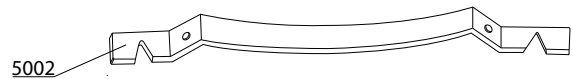
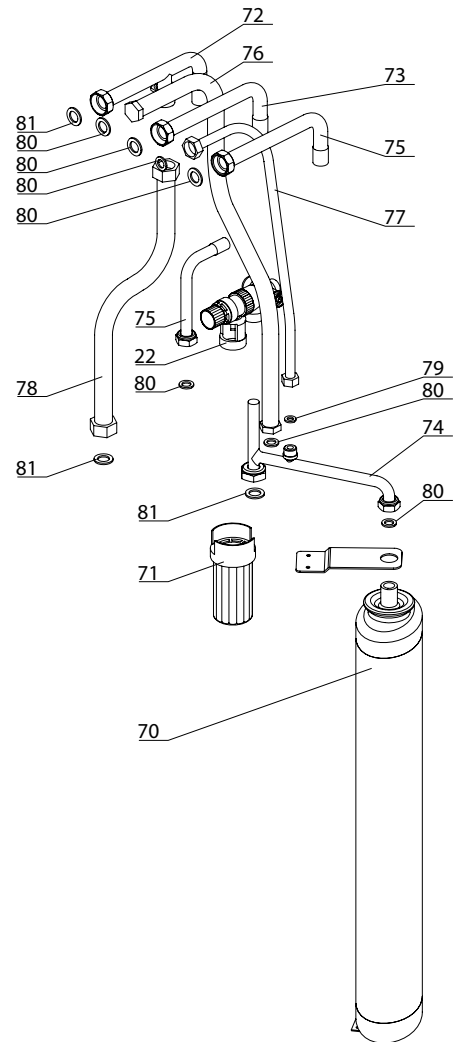
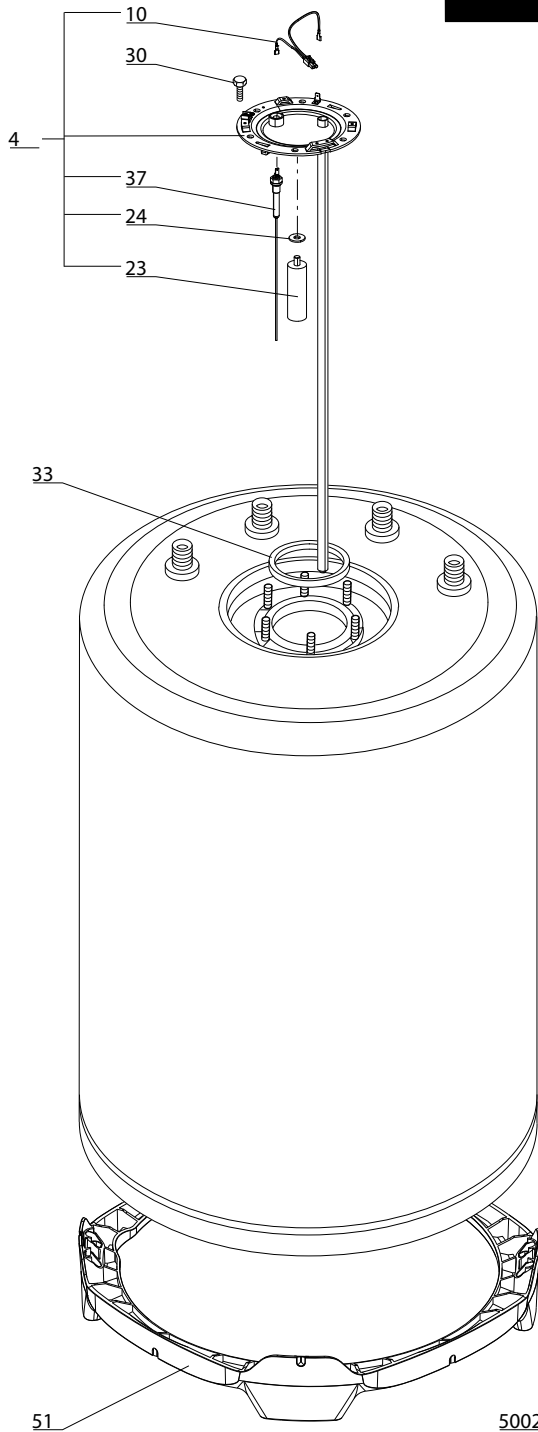
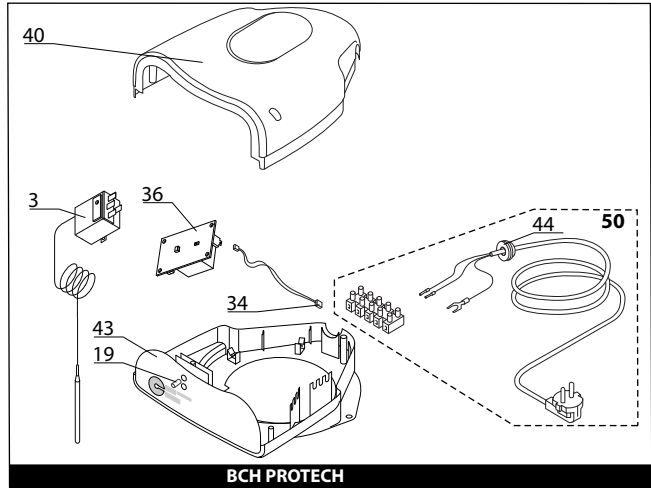
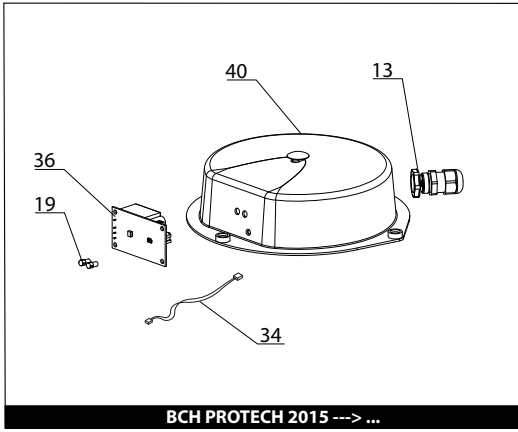
**BCH**

R8203455-03 - 12/10/2020

BCH

Boilers

1	3070227	ARI BCH 80L PROTECH+MG	02-2010	10-2015
1	3070230	CHX BCH 80L PROTECH+MG	02-2010	10-2015
1	3086003	CHX KIT BCH 80 FLOOR	04-2010	10-2015
1	3070251	FLE BCH 80 PROTECH+MG	02-2010	10-2015
1	3070233	STY BCH 80L PROTECH+MG	02-2010	10-2015
2	3070228	ARI BCH 120L PROTECH+MG	02-2010	10-2015
2	3070231	CHX BCH 120L PROTECH+MG	02-2010	10-2015
2	3086004	CHX KIT BCH 120 FLOOR	04-2010	10-2015
2	3070252	FLE BCH 120 PROTECH+MG	02-2010	10-2015
2	3070234	STY BCH 120L PROTECH+MG	02-2010	10-2015
3	3070229	ARI BCH 160L PROTECH+MG	02-2010	09-2015
3	3070232	CHX BCH 160L PROTECH+MG	02-2010	10-2015
3	3086005	CHX KIT BCH 160 FLOOR	04-2010	10-2015
3	3070253	FLE BCH 160 PROTECH+MG	02-2010	10-2015
3	3070235	STY BCH 160L PROTECH+MG	02-2010	10-2015
4	3070270	ARI BCH 200L PROTECH+MG	02-2010	10-2015
4	3070271	CHX BCH 200L PROTECH+MG	02-2010	10-2015
4	3070254	FLE BCH 200 PROTECH+MG	02-2010	10-2015
5	3070328	ARI BCH_T 80L PROTECH+MG	11-2011	10-2015
5	3070346	CHX BCH_T 80L PROTECH+MG	11-2011	10-2015
6	3070329	ARI BCH_T120L PROTECH+MG	11-2011	02-2017
6	3070347	CHX BCH_T120L PROTECH+MG	11-2011	10-2015
7	3070330	ARI BCH_T 160L PROTECH+MG	11-2011	10-2015
7	3070348	CHX BCH_T 160L PROTECH+MG	11-2011	10-2015
8	3070331	ARI BCH_T 200L PROTECH+MG	11-2011	10-2015
8	3070349	CHX BCH_T 200L PROTECH+MG	11-2011	10-2015
9	3070490	BCH CD1 80 ARI - EU	07-2015	-
9	3070493	BCH CD1 80 CHX - EU	07-2015	-
9	3070499	BCH CD1 80 FLE - EU	07-2015	-
9	3070496	BCH CD1 80 STY - EU	07-2015	-
9	3089005	BCH CD1 80 CHX / KIT FLOOR - EU	10-2015	-
10	3070491	BCH CD1 120 ARI - EU	07-2015	-
10	3070494	BCH CD1 120 CHX - EU	07-2015	-
10	3070500	BCH CD1 120 FLE - EU	07-2015	-
10	3070497	BCH CD1 120 STY - EU	07-2015	-
10	3089018	BCH CD1 120 CHX / KIT FLOOR- EU	10-2015	-
11	3070492	BCH CD1 160 ARI - EU	07-2015	-
11	3070495	BCH CD1 160 CHX - EU	07-2015	-
11	3070501	BCH CD1 160 FLE - EU	07-2015	-
11	3070498	BCH CD1 160 STY - EU	07-2015	-
11	3089019	BCH CD1 160 CHX / KIT FLOOR - EU	10-2015	-
12	3070503	BCH CD1 200 ARI - EU	07-2015	-
12	3070504	BCH CD1 200 CHX - EU	07-2015	-
12	3070502	BCH CD1 200 FLE - EU	07-2015	-
13	3318335	KIT BACD (FR) CHX	07-2007	-
Col	Reference	Model type	Begin	End



☉⇒	Description	Manf. Pt. N	Type																			From	to
				1	2	3	4	5	6	7	8	9	10	11	12	13	14	15	16	17	18		
0003	THERMOSTAT	921058						•	•	•	•												
0004	FLANGE WITH ANODE	60001545										•	•								09/20		
	FLANGE WITH ANODE	60001545		•	•							•	•								09/20		
	FLANGE WITH ANODE	60001546					•							•							09/20		
	FLANGE WITH ANODE	60001547		•								•									09/20		
	FLANGE WITH ANODE	60001828						•	•														
	FLANGE WITH ANODE	60003367										•								10/20			
	FLANGE WITH ANODE	60003368										•	•							10/20			
	FLANGE WITH ANODE	60003369												•						10/20			
0010	CABLE ELECTRODE - P.C.B.	60001108-01		•	•	•	•	•	•	•	•	•	•	•	•	•	•	•	•				
0013	GLAND	60002560										•	•	•	•	•	•	•	•				
0019	LED (L=10.8)	998576		•	•	•	•	•	•	•	•	•	•	•	•	•	•	•	•				
0022	SAFETY VALVE (1/2" 7 BAR)	65105630																•					
0023	ANODE D21,3 L:110 M5-M8	65103768-01		•	•	•	•	•	•	•	•	•	•	•	•	•	•	•	•				
0024	ANODE GASKET	61306237		•	•	•	•	•	•	•	•	•	•	•	•	•	•	•	•				
0030	SCREW M8X14 (6 PCES)	60000681		•	•	•	•	•	•	•	•	•	•	•	•	•	•	•	•				
0033	FLANGE GASKET	60003285										•	•	•	•	•	•	•	•	10/20			
	FLANGE GASKET	60071829										•	•	•	•	•	•	•	•	09/20			
	FLANGE GASKET	60071829		•	•	•	•	•	•	•	•	•	•	•	•	•	•	•	•				
0034	CABLE (ELECTRODE) > P.C.B.	60000475		•	•	•	•	•	•	•	•	•	•	•	•	•	•	•	•				
0036	P.C.B. (ANODE - PROTECH)	925348-01		•	•	•	•	•	•	•	•	•	•	•	•	•	•	•	•				
0037	ANODE (PROTECH)	60002112										•	•	•	•	•	•	•	•				
	ANODE (PROTECH)	60002112		•	•	•	•	•	•	•	•	•	•	•	•	•	•	•	•	09/12			
	ANODE (PROTECH)	60001111		•	•	•	•	•	•	•	•	•	•	•	•	•	•	•	•	08/12			
0040	BOX COVER	60002559										•	•	•	•	•	•	•	•				
	BOX COVER	60000956		•	•	•	•	•	•	•	•	•	•	•	•	•	•	•	•				
0043	BASE - BOX	60000711		•	•	•	•	•	•	•	•	•	•	•	•	•	•	•	•				
0044	RING NUT (CABLE HOLDER)	926044										•	•	•	•	•	•	•	•				
0050	WIRING KIT	935344										•	•	•	•	•	•	•	•				
0051	SUPPORT D:505-560	60000803		•	•	•	•	•	•	•	•	•	•	•	•	•	•	•	•				
0070	EXPANSION VESSEL 4L	998122																•					
0071	TRAP 1"	65105284																•					
0072	HEATING FLOW TUBE	60001548																•					
0073	GAS TUBE	60001549																•					
0074	PIPE (EXPANSION VESSEL)	60001550																•					
0075	CONNECTING PIPE	60001551																•					
0076	FLEXIBLE PIPE	60001552																•					
0077	FLEXIBLE PIPE	65105632																•					
0078	FLEXIBLE PIPE	12048341																•					
0079	GASKET 3/8 in	573521																•					
0080	GASKET 1/2 in	573528																•					
0081	GASKET 3/4 in	573520																•					
<b>5000</b>	<b>ACCESSORIES</b>																						
5002	WALL FIXING BRACKET D:470-505-560-570	912006		•	•	•	•	•	•	•	•	•	•	•	•	•	•	•	•				

Boilers

BCH

## LIST OF THE ABBREVIATIONS

HW .....	: Hot water.
CW .....	: Cold water.
C .....	: Ceramic resistance (normal heating).
Ca .....	: Ceramic resistance (accelerated heating)
TP .....	: Immersion heater.
1F .....	: With fittings.
2F .....	: Without fittings.
3F .....	: With fittings and another outlet connection.
AMI .....	: With mixing valve.
SMI .....	: Without mixing valve.
PUISS .....	: Power of th appliance.
PN .....	: Appliance with normal pression.
LP .....	: Appliance with low pression.
PV .....	: Appliance with variable power.
PF .....	: Appliance with fixed power.

## IDENTIFICATION PLATE

### SERIAL NUMBER

**9 Characters :** 07 91 00301 (from 01/77 to 12/92)

Month of manufacture 07 91 00301 Sequential number  
 Year of manufacture 07 91 00301

**10 Characters :** 95 01 065004 (from 01/93 to 06/95)

Year of manufacture 95 01 065004 Sequential number  
 Month of manufacture 95 01 065004

**OU**

**10 Characters :** 01 95 065004 (from 07/95)

Month of manufacture 01 95 065004 Sequential number  
 Year of manufacture 01 95 065004

**12 Characters :** 924 2 3 134 0115

Product reference 924 2 3 134 0115 Sequential number  
 Year of manufacture 924 2 3 134 0115 Manufacturing day

**15 ou 16 Characters :** (0)03 070 0001 893077 (from 01/97 to 01/05)

Year of manufacture (0)03 070 0001 893077 Product reference  
 Day of manufacture (0)03 070 0001 893077 Sequential number

**OU**

**16 Characters :** 05 070 0001 0000000 (from 02/05)

Year of manufacture 05 070 0001 0000000 Product reference  
 Day of manufacture 05 070 0001 0000000 Sequential number

**17 Characters :** 07 070 00315 3070107

Year of manufacture 07 070 00315 3070107 Product reference  
 Sequential number  
 Manufacturing day (70)

**21 Characters :** 3000115 XX 08115 0000001

Product reference 3000115 XX 08115 0000001 Sequential number  
 Year (08) / Manufacturing day (115)

**22 Characters :** 3000115 XX 070416 0000001

Product reference 3000115 XX 070416 0000001 Sequential number  
 Year (07) / Month (04) / Manufacturing day (16)