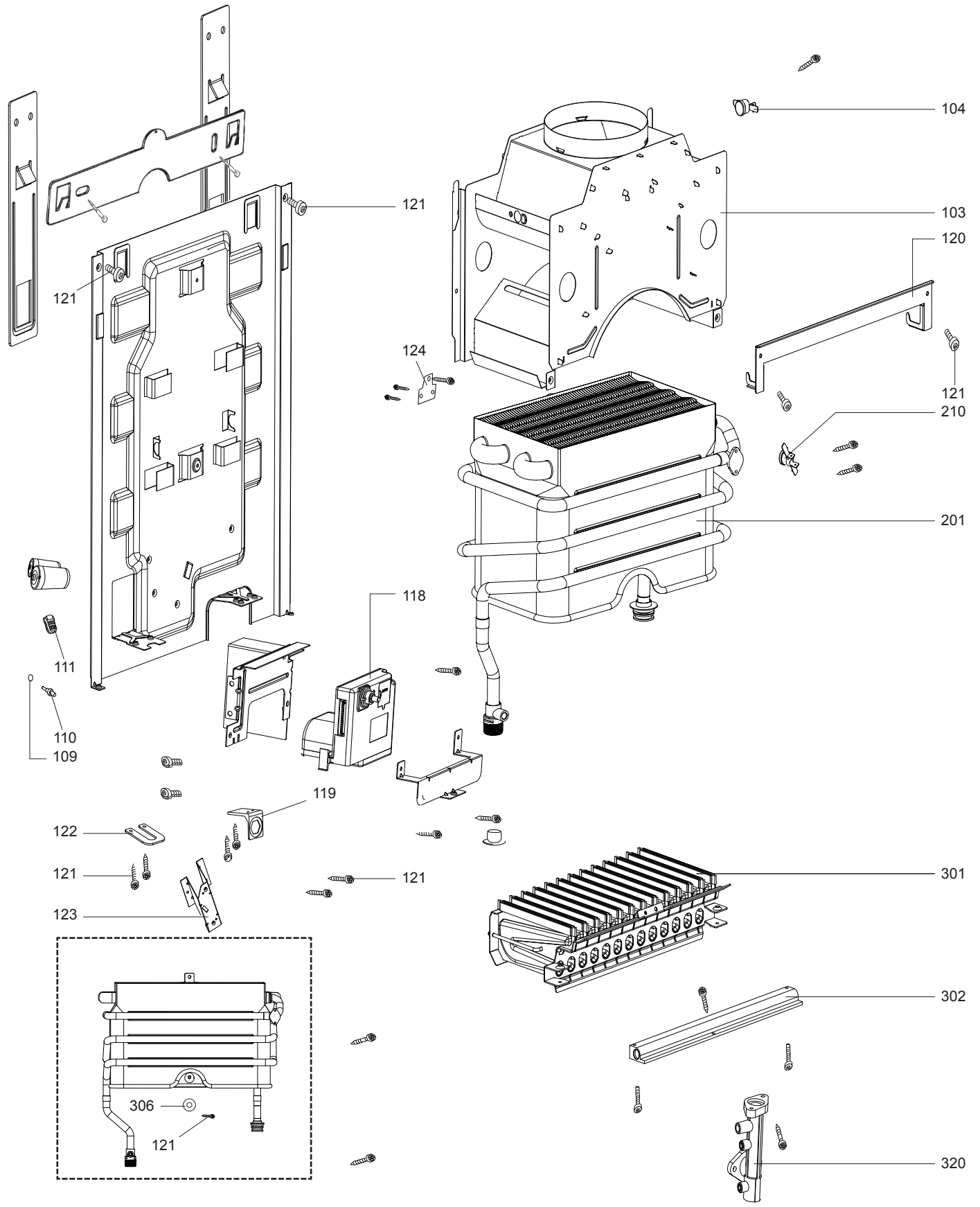


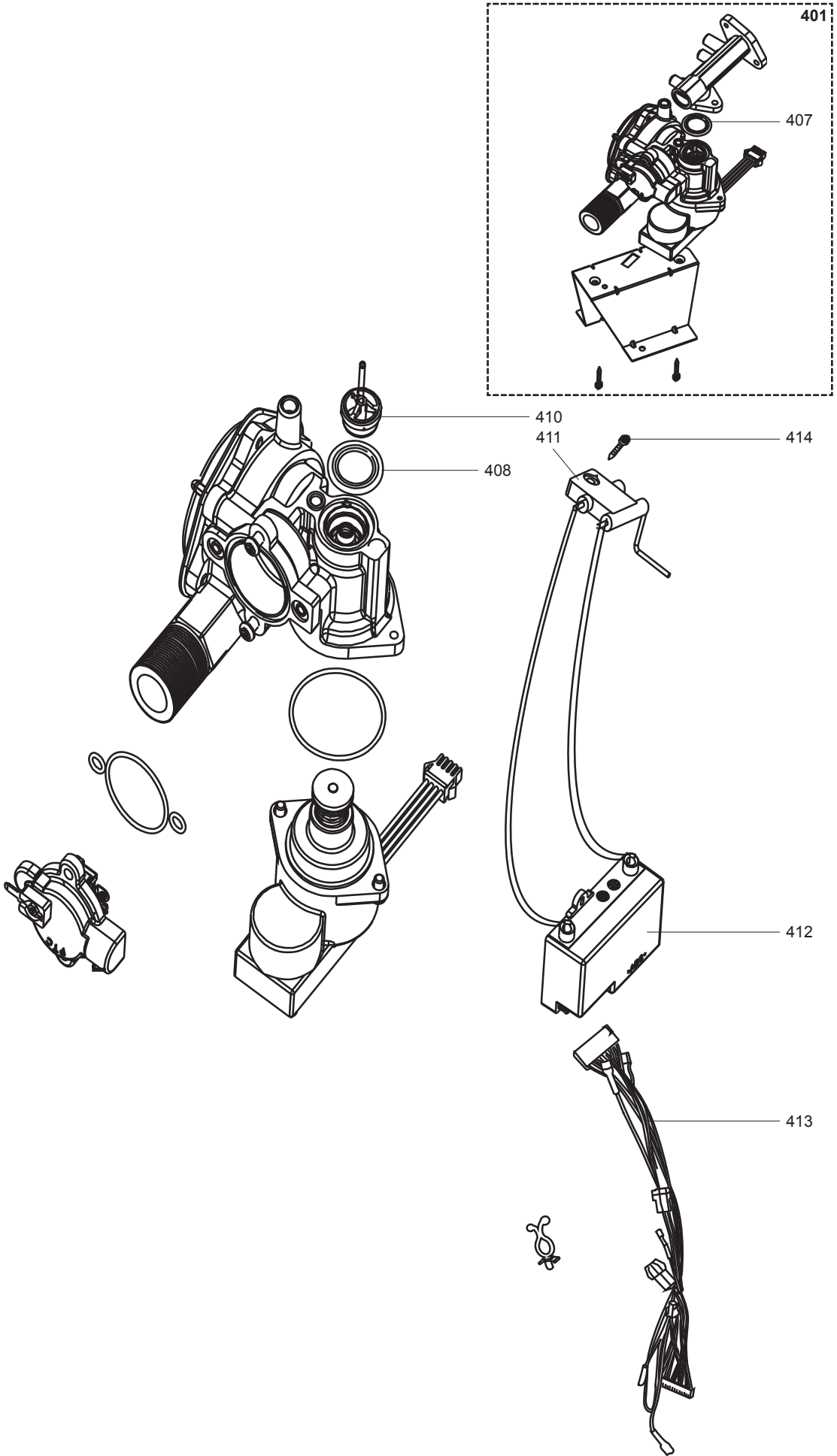
SPARE PARTS EXPLODED VIEW
INSTANTANEOUS GAS WATER HEATERS
Model
FLUENDO PLUS ONT C

R8216963-03 - 29/09/2014

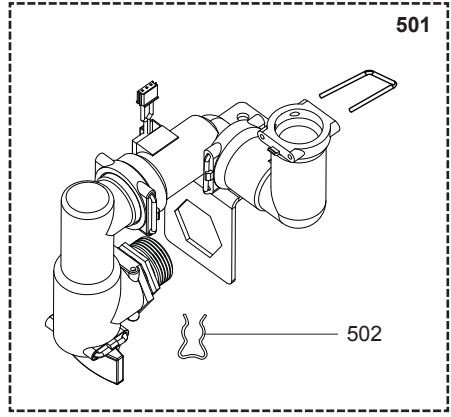
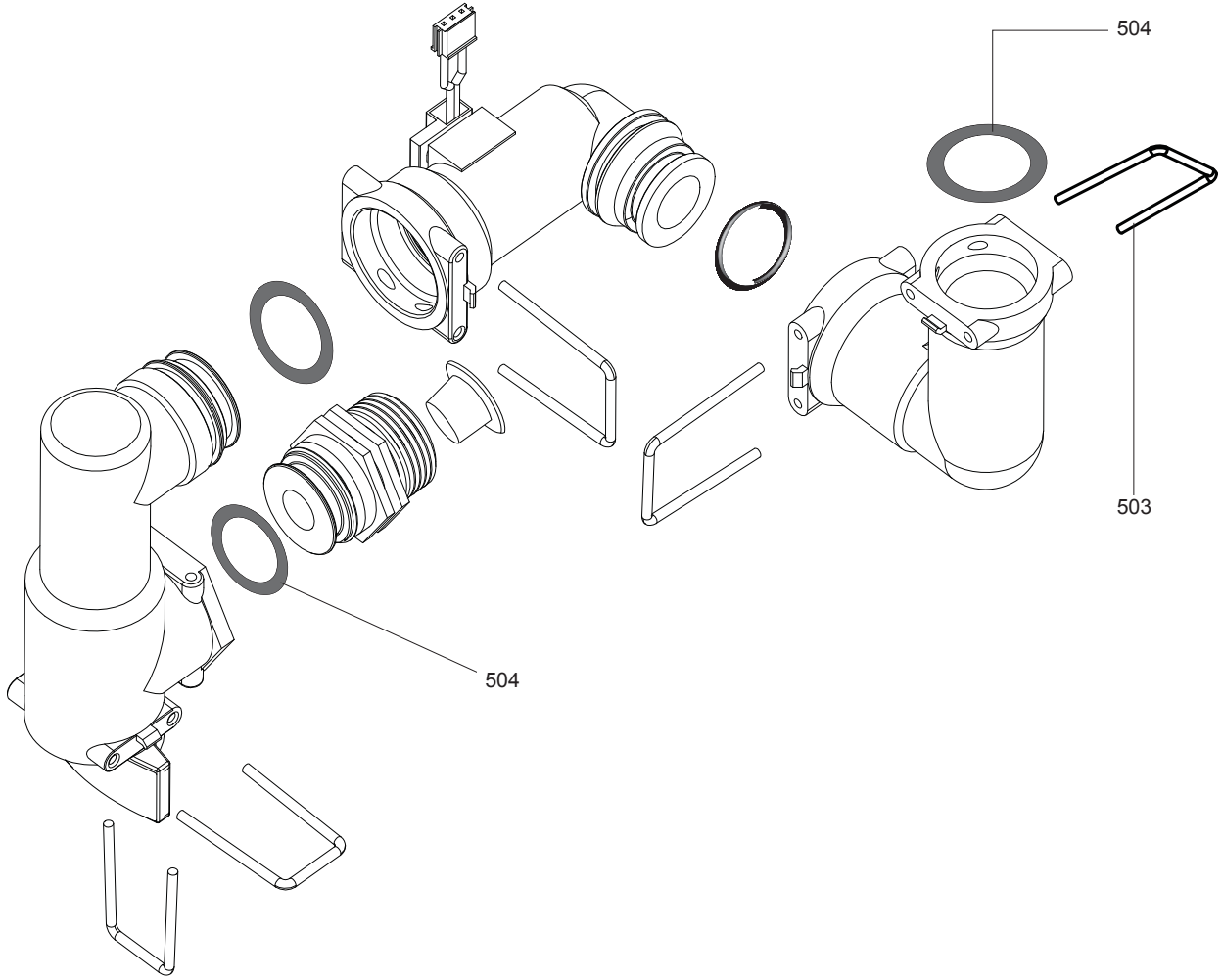
1	3632157	FLUENDO PLUS ONT C 11 NG FR	07-2014	-
2	3632156	FLUENDO PLUS ONT C 11 LPG FR	07-2014	-
3	3632159	FLUENDO PLUS ONT C 14 NG FR	07-2014	-
4	3632158	FLUENDO PLUS ONT C 14 LPG FR	07-2014	-
5	3632106	FLUENDO PLUS ONT C 16 NG	10-2013	-
6	3632105	FLUENDO PLUS ONT C 16 LPG	10-2013	-
Col	Reference	Model type	Begin	End



	Description	Manf. Pt. N	Type	1 2 3 4 5 6 7 8 9 10 11 12 13 14 15 16 17 18														From	to						
				11 L NG	14 L G30/G31	14 L NG	14 L G30/G31	16 L NG	16 L G30/G31																
0100 CHASSIS																									
0103	11L FLUE HOOD	65152046		●	●																				
	14L FLUE HOOD	65152066				●	●																		
	16L FLUE HOOD	65152116								●	●														
0104	OVERHEAT THERMOSTAT 135°C	60001313		●	●	●	●																		
	THERMOSTAT (SAFETY - 105°C)	65152115								●	●														
0109	O-RING 3.75X1.8 (10 PCS)	65158146		●	●	●	●	●	●																
0110	TEMPERATURE SENSOR	977227		●	●	●	●	●	●																
0111	NUT (TEMPERATUR SENSOR)	65152079		●	●	●	●	●	●																
0118	P.C.B. (MAIN)	65152195		●	●	●	●	●	●																
0119	BRACKET (PIPE, INLET-11L)	65152080		●	●																				
	BRACKET (PIPE, INLET-14L,16L)	65152152				●	●	●	●																
0120	FIXING BRACKET (HOOD, 11L)	65152084		●	●																				
	FIXING BRACKET (HOOD, 14L)	65152089				●	●																		
	FIXING BRACKET (HOOD, 16L)	65152119								●	●														
0121	TAPPING SCREW CBLSX D: 4.2-9.5	61010125		●	●	●	●	●	●																
0122	BRACKET (PIPE, OUTLET)	65152081		●	●	●	●	●	●																
0123	GAS VALVE BRACKET	65152082		●	●	●																			
	GAS VALVE BRACKET	65152120								●	●														
0124	BRACKET (EXCHANGER)	65152083		●	●	●	●	●	●																
0200 MIXING BATTERY																									
0201	HEAT EXCHANGER	65152048		●	●																				
	HEAT EXCHANGER	65152067				●	●																		
	HEAT EXCHANGER	65152118								●	●														
0210	THERMOSTAT (OVERHEAT)	65152049		●	●	●	●	●	●																
0300 BURNER ASSEMBLY																									
0301	MAIN BURNER	65152051		●	●																				
	MAIN BURNER	65152069				●	●																		
	MAIN BURNER	65152111								●	●														
0302	GAS MANIFOLD (11L-G20)	65152052		●																					
	GAS MANIFOLD (11L-G30/G31)	65152108			●																				
	GAS MANIFOLD (14L-G20)	65152070				●																			
	GAS MANIFOLD (14L-G30/G31)	65152110					●																		
	GAS MANIFOLD (16L-G20)	65152112								●															
	GAS MANIFOLD (16L-G30/G31)	65152126									●														
0306	WASHER	65152050		●	●	●	●	●	●																
0320	GAS PIPE	65152053		●	●	●	●																		
	GAS PIPE	65152113								●	●														

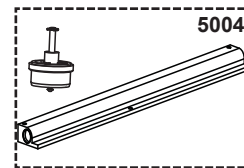
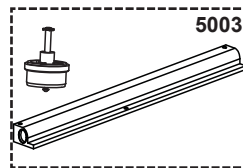
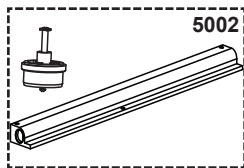
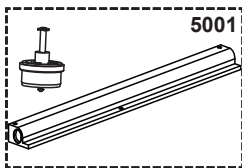
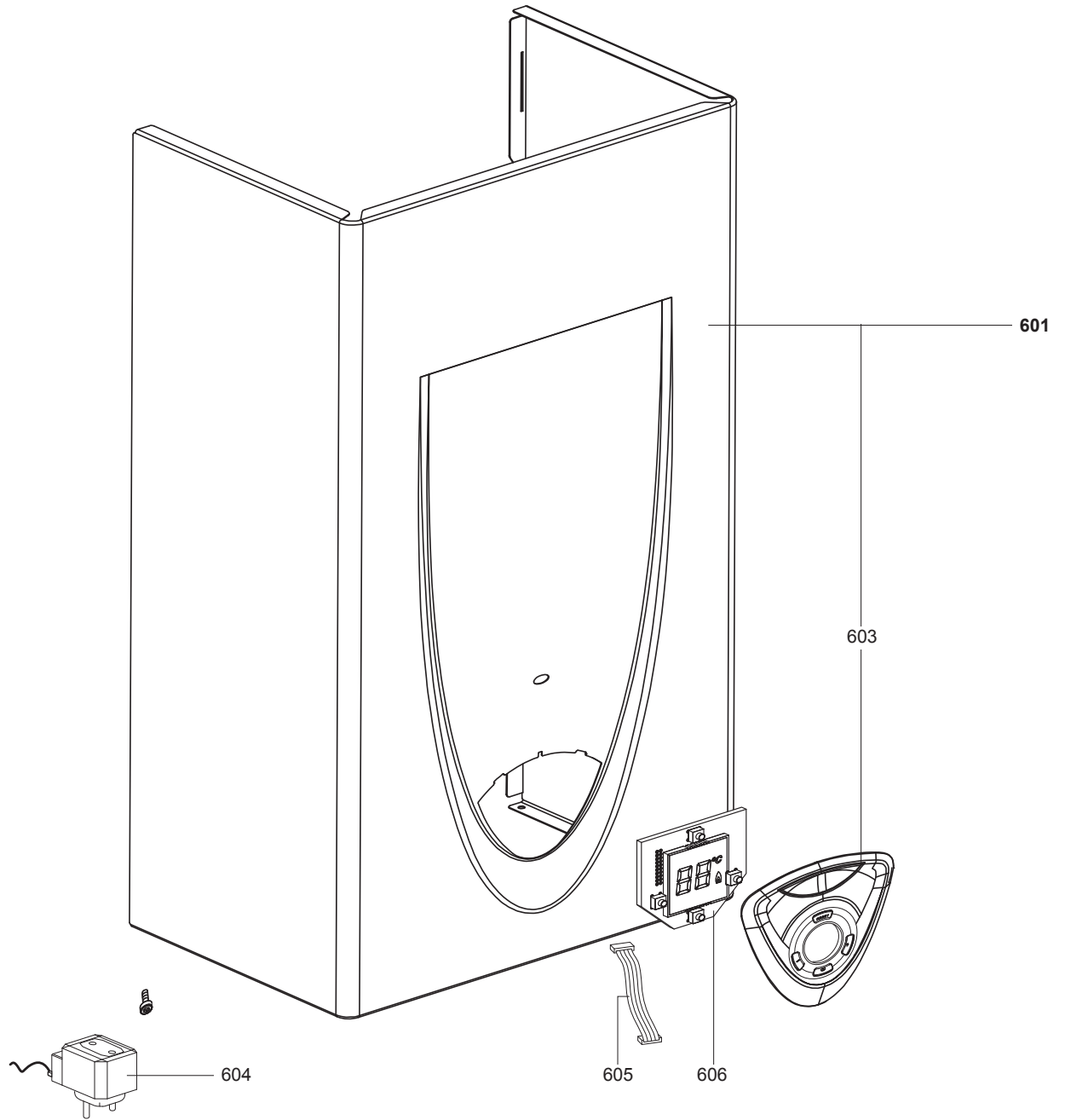


	Description	Manf. Pt. N	Type															31				
				1	2	3	4	5	6	7	8	9	10	11	12	13	14	15	16	17	18	From
0400	GAS SECTION																					
0401	GAS VALVE (LPG)	65152125			•			•		•												
	GAS VALVE NG	65152054			•		•		•													
0407	O-RING	65152055			•		•		•		•		•									
0408	GASKET (DIAPHRAGM)	65152541			•		•		•		•		•		•							
0410	11L G20 GAS DIAPHRAGM	65152056			•					•		•										
	11L GAS DIAPHRAGM (G30)	65152109				•		•		•												
0411	IGNITION ELECTRODE	65152114									•			•								
	IGNITION ELECTRODE (double)	65152497			•		•		•		•											
0412	IGNITOR	65152058			•		•		•		•		•		•							
0413	CABLE	65152198			•		•		•		•		•		•							
0414	TAPPING SCREW CBLX D: 4.2-9.5	61010125			•		•		•		•		•		•							



☉	Description	Manf. Pt. N	Type	<table border="1"> <tr> <td>1</td><td>2</td><td>3</td><td>4</td><td>5</td><td>6</td><td>7</td><td>8</td><td>9</td><td>10</td><td>11</td><td>12</td><td>13</td><td>14</td><td>15</td><td>16</td><td>17</td><td>18</td> </tr> <tr> <td>11 L NG</td><td>11 L G30/C31</td><td>14 L NG</td><td>14 L G30/C31</td><td>16 L NG</td><td>16 L G30/C31</td><td></td><td></td><td></td><td></td><td></td><td></td><td></td><td></td><td></td><td></td><td></td><td></td><td></td> </tr> </table>																		1	2	3	4	5	6	7	8	9	10	11	12	13	14	15	16	17	18	11 L NG	11 L G30/C31	14 L NG	14 L G30/C31	16 L NG	16 L G30/C31														31	
				1	2	3	4	5	6	7	8	9	10	11	12	13	14	15	16	17	18																																							
11 L NG	11 L G30/C31	14 L NG	14 L G30/C31	16 L NG	16 L G30/C31																																																							
				From to																																																								

0500	WATER SECTION ASSY																			
0501	WATER FLOW SENSOR	65152060		●	●	●	●	●												
0502	CLIP	65152061		●	●	●	●	●												
0503	CLIP	65152062		●	●	●	●	●												
0504	O-RING 12.3X2.4	60024164-47		●	●	●	●	●												



☺⇒	Description	Manf. Pt. N	Type																			From	to
				1	2	3	4	5	6	7	8	9	10	11	12	13	14	15	16	17	18		
0600	FRONT CASE																						
0601	CASE PANEL (FRONT)	65152201		•	•																		
	CASE PANEL (FRONT)	65152202							•	•													
	CASE PANEL (FRONT)	65152203				•	•																
0603	BASIC PLASTIC PANEL (CM)	65152341		•	•	•	•	•	•	•													
0604	TRANSFORMER	65152197		•	•	•	•	•	•	•													
0605	DISPLAY CABLE	65152199		•	•	•	•	•	•	•													
0606	PRINTED CIRCUIT BOARD (DISPLAY)	65152194		•	•	•	•	•	•	•													
5000	ACCESSORIES																						
5001	GAS BURNER JET FULL KIT (11L-G30/G31)	65152073		•																			
	GAS BURNER JET FULL KIT (G30/G31-16L)	65152088							•														
	GAS BURNER JET FULL KIT G20 16L	65152087								•													
5002	GAS BURNER JET FULL KIT (G20-14L)	65152086						•															
	GAS BURNER JET FULL KIT G20 11L	65152076			•																		
5003	GAS BURNER JET FULL KIT (G25.1/G27-11L)	65152075		•																			
5004	GAS BURNER JET FULL KIT (G230-11L)	65152074		•																			

LIST OF THE ABBREVIATIONS

HW	: Hot water.
CW	: Cold water.
C	: Ceramic resistance (normal heating).
Ca	: Ceramic resistance (accelerated heating)
TP	: Immersion heater.
1F	: With fittings.
2F	: Without fittings.
3F	: With fittings and another outlet connection.
AMI	: With mixing valve.
SMI	: Without mixing valve.
PUISS	: Power of th appliance.
PN	: Appliance with normal pression.
LP	: Appliance with low pression.
PV	: Appliance with variable power.
PF	: Appliance with fixed power.

IDENTIFICATION PLATE

SERIAL NUMBER

6 Characters :		03 09 08	
Year of manufacture	_____	_____	Manufacturing day Month of manufacture
9 Characters :		M 12 10 0606	
Year of manufacture	_____	_____	Sequential number
Month of manufacture	_____	_____	
14 Characters :		SI-V-0B0 45 07 0001	
	_____	_____	Sequential number
	_____	_____	Year of manufacture : → 6 → 2004
	_____	_____	Month of manufacture : → 25 → January 43 → July 7 → 2005
	_____	_____	Product model
			13 → February 29 → August 8 → 2006
			32 → March 40 → September etc ...
			35 → April 38 → October
			39 → May 51 → November
			45 → June 12 → December
15 Characters :		02 11 00001 007843	
Year of manufacture	_____	_____	Code appareil Sequential number
Month of manufacture	_____	_____	
21 Characters :		3200050 XX 08115 0000001	
Product reference	_____	_____	Sequential number
			Year (08) / Manufacturing day (115)
22 Characters :		3200050 XX 070115 0000001	
Product reference	_____	_____	Sequential number
			Year (07) / Month (01) / Manufacturing day (15)

The indications mentioned on the prices, commercial or technical literature and the scheme are written for your guidance and are available at a given time. The CONSTRUCTOR retains the power to modify the presentation, the form, the size, the conception or the material of the products.