

SPARE PARTS EXPLODED VIEW
INSTANTANEOUS GAS WATER HEATERS
Model
BRD LNX 11L ONM EU

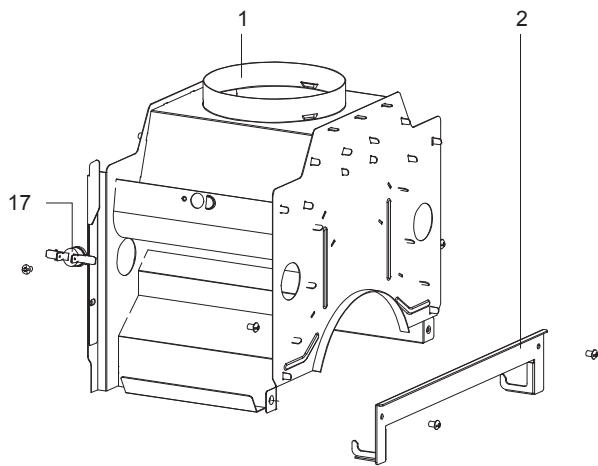
R8218722-01 - 25/05/2021

1	3632416	BRD LNX ONM 11 NG EU	07-2018	-
2	3632417	BRD LNX ONM 11 LPG EU	07-2018	-
Col	Reference	Model type	Begin	End

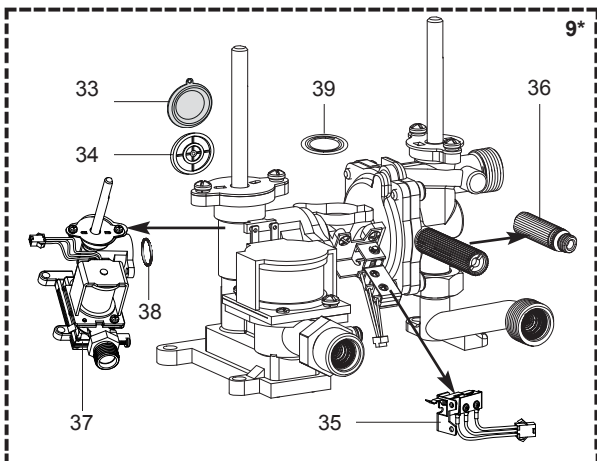
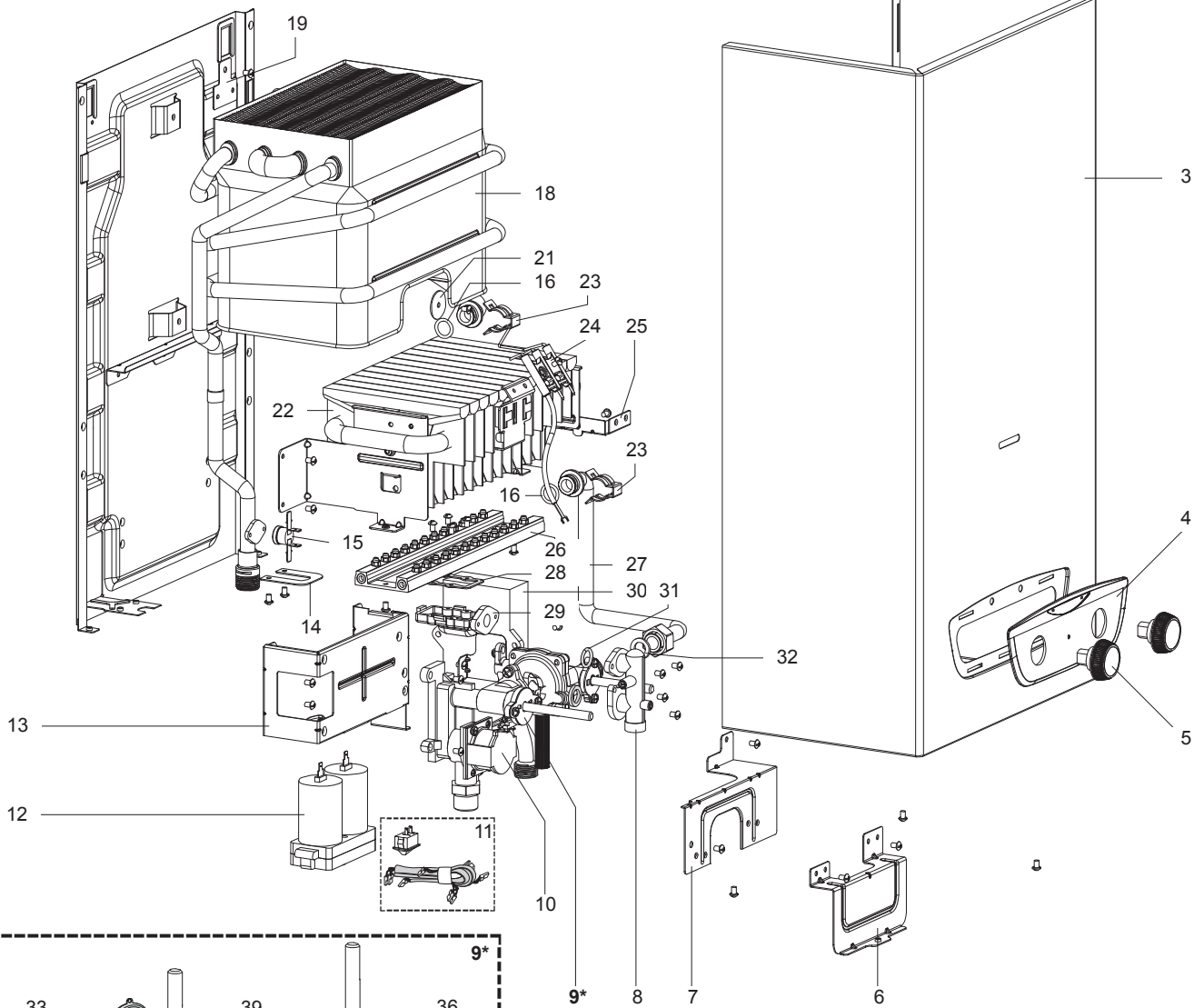
... --> 05/21 (POLIDORO)

BRD LNX ONM 11 NG/LPG

Instantaneous Gas Water Heaters



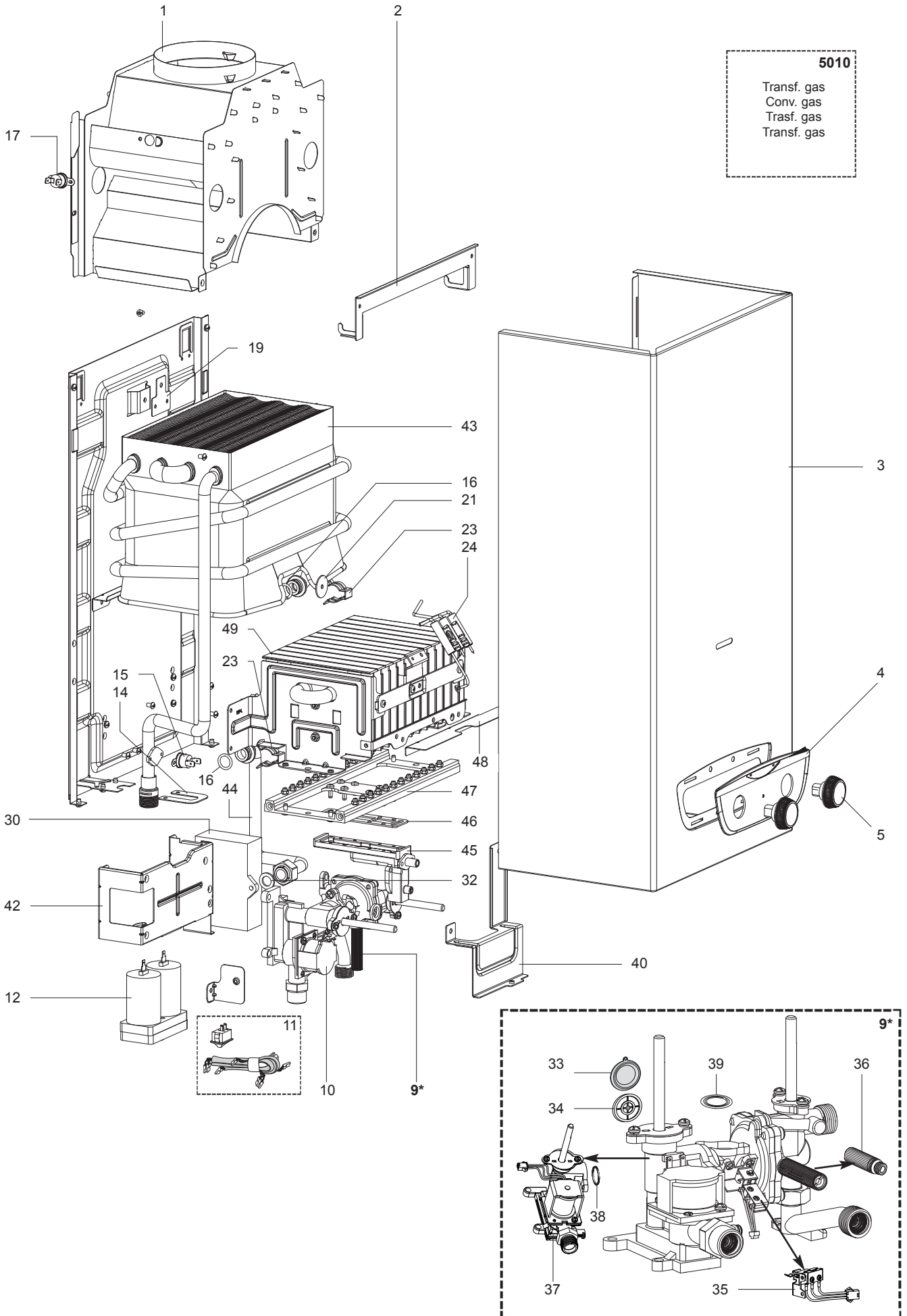
5001
 Transf. gas
 Conv. gas
 Trasf. gas
 Transf. gas



06/21--> ... (GTC)

BRD LNX ONM 11 NG/LPG

Instantaneous Gas Water Heaters



☉⇒	Description	Manf. Pt. N	Type	<div style="float: right; border: 1px solid black; padding: 2px; margin-bottom: 5px;"> 11L NG 11L LPG </div>																		31	
				1	2	3	4	5	6	7	8	9	10	11	12	13	14	15	16	17	18	From	to
0001	11L NEW FAST EXHAUST HOOD	65154102		•	•																		
0002	FIXING BRACKET (HOOD, 11L)	65152084		•	•																		
0003	FRONT COVER (CHX)	65153756		•	•																		
0004	PLASTIC PANEL /CHX/BRD ONM	65153129		•	•																		
0005	KNOB /CHX/ BRD ONM	65153127		•	•																		
0009	GAS WATER VALVE GPL/FAST R ONM 11	65153134-01	G31		•																		
	GAS WATER VALVE NG /FAST R ONM 11	65153133-01	G20	•																			
0010	SUPPORT (L)	65153111		•	•																		
0011	SWITCH	65153751		•	•																		
0012	BATTERY BOX	65153110		•	•																		
0014	BRACKET (PIPE, OUTLET)	65152081		•	•																		
0015	OVERHEAT THERMOSTAT 85°C	65152049		•	•																		
0016	O-RING 12.3X2.4	60024164-47		•	•																		
0017	OVERHEAT THERMOSTAT 110°	65154564		•	•																		
0019	BRACKET (EXCHANGER)	65152083		•	•																		
0021	WASHER	65152050		•	•																		
0023	CLIP	65153745		•	•																		
0024	IGNITION PIN	65155355		•	•																		
0030	P.C.B	65153734		•	•																		
0032	GASKET 1/2 in	573528		•	•																		
0033	MEMBRANE DERMALIS 11L	65153313		•	•																		
0034	PLASTIC PLATE 11L	65153311		•	•																		
0035	MICROSWITCH	65153620		•	•																		
0036	SAFETY VALVE	65153618		•	•																		
0037	GAS VALVE NG 11L	65153613		•																			
	GAS VALVE LPG 11L	65153614			•																		
0038	O-RING 28x1.9	65153619		•	•																		
0039	GASKET NBR 18.4X12X3	65155357		•	•																		
0040	SUPPORT 1 (FRONT COVER)	65154849		•	•																	06/21	
0042	BRACKET (WATER GAS VALVE)	65154850		•	•																	06/21	
0043	HEAT EXCHANGER	65154851		•	•																	06/21	
0044	WATER CONNECT PIPE	65154841		•	•																	06/21	
0045	GAS CONNECTOR	65154842		•	•																	06/21	
0046	SEALING PLATE	65154843		•	•																	06/21	
0047	GAS MANIFOLD/G20/FAST R ONM 11	65154844	G20	•																		06/21	
	GAS MANIFOLD/G30/FAST R ONM	65154846	G31		•																	06/21	
0048	FLUE BAFFLE	65154845		•	•																	06/21	
0049	BURNER	65154848		•	•																	06/21	
5010	ONT GAS TRANSF LPG TO NG 11L LNX	65154853		•	•																	06/21	
	ONT GAS TRANSF NG TO LPG 11L LNX	65154852		•	•																	06/21	

BRD LNX ONM 11 NG/LPG

Instantaneous Gas Water Heaters

LIST OF THE ABBREVIATIONS

HW	: Hot water.
CW	: Cold water.
C	: Ceramic resistance (normal heating).
Ca	: Ceramic resistance (accelerated heating)
TP	: Immersion heater.
1F	: With fittings.
2F	: Without fittings.
3F	: With fittings and another outlet connection.
AMI	: With mixing valve.
SMI	: Without mixing valve.
PUISS	: Power of th appliance.
PN	: Appliance with normal pression.
LP	: Appliance with low pression.
PV	: Appliance with variable power.
PF	: Appliance with fixed power.

IDENTIFICATION PLATE

SERIAL NUMBER

10 Characters :	04 05 125 011		
		Sequential number	
		Manufacturing day	
		Year of manufacture	
11 Characters :	1 95 065004 - 31		
Month of manufacture :		Technical number of the appliance	
from 1 to 9 → Jan. to Sep.,		Sequential number	
O → Oct., N → Nov.,		Year of manufacture	
D → Dec.			
19 Characters :	08 05 0013199 900640031		
Year of manufacture		Product reference	
Month of manufacture		Sequential number	
20 Characters :	3675007 XX 2 07 070 00315		
Product reference		Sequential number	
Millenium of manufacture		Manufacturing day	
		Year of manufacture	
21 Characters :	3675007 XX 07 070 0000315		
Product reference		Sequential number	
Year of manufacture		Manufacturing day	