

VUE ECLATEE

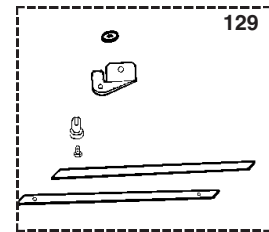
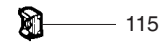
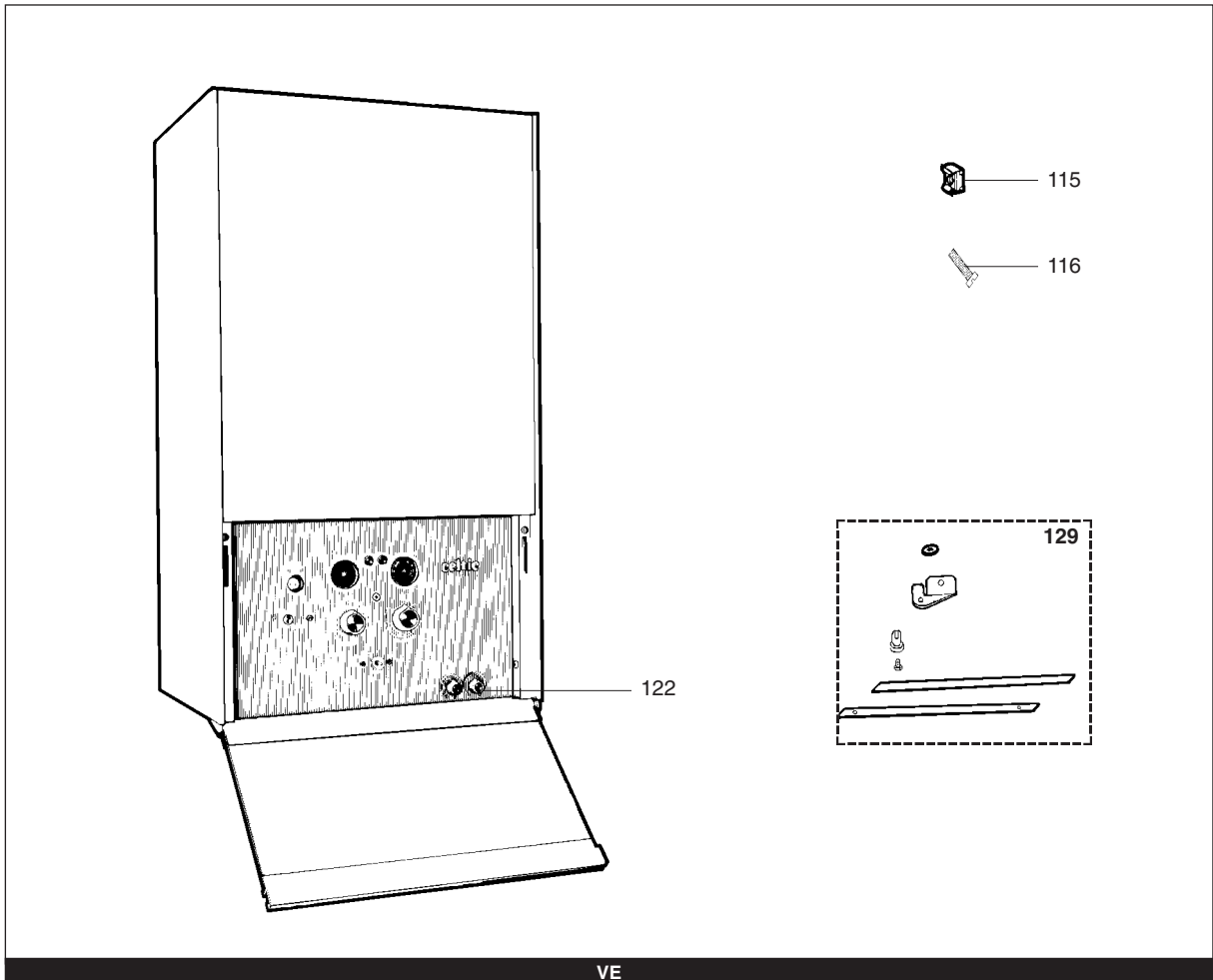
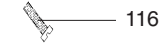
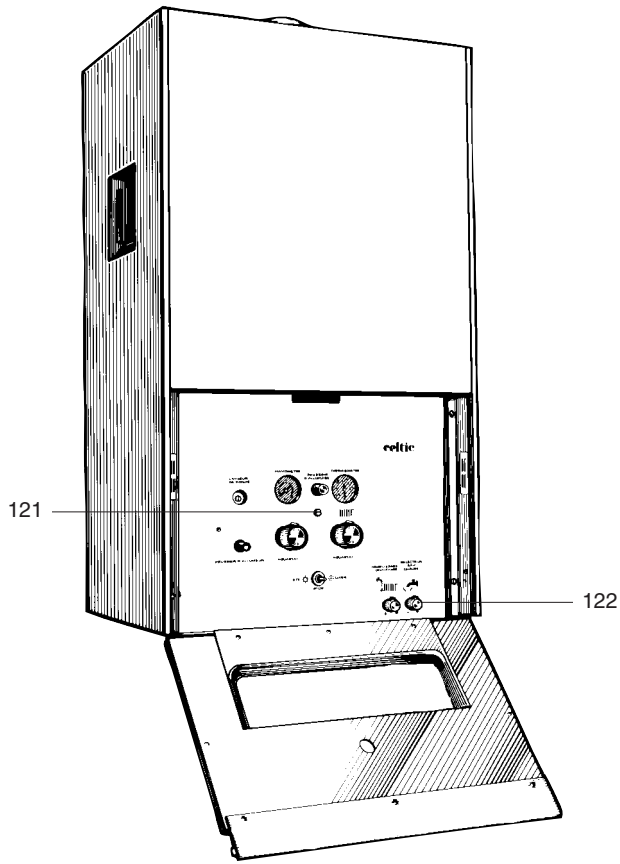
CHAUFFAGE DOMESTIQUE

Modèle

CELTIC non RSc

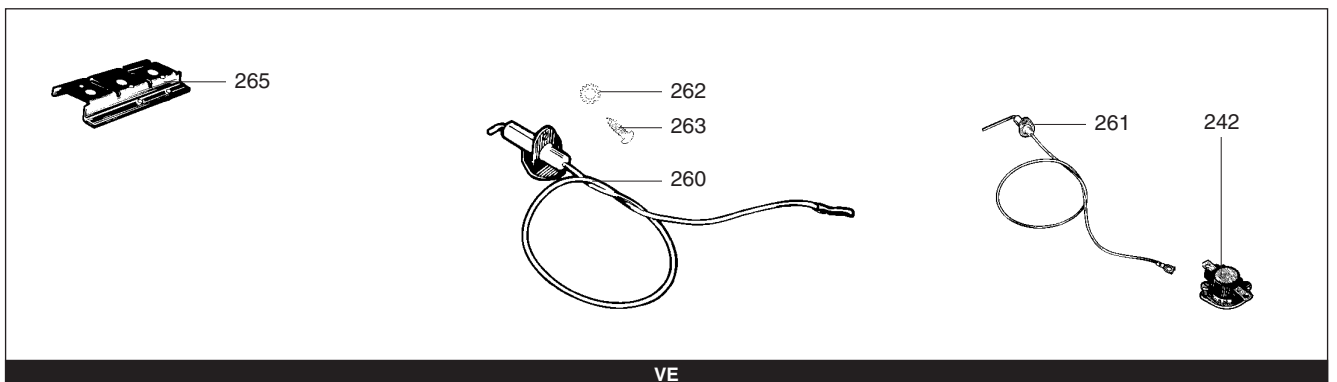
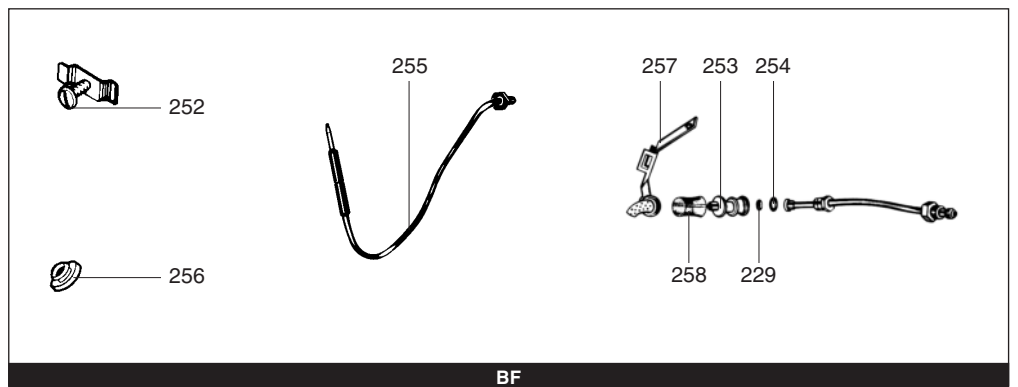
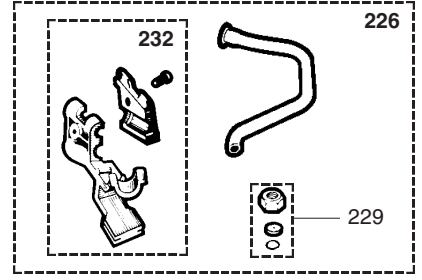
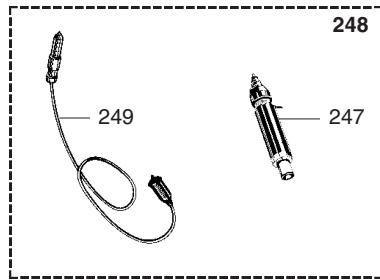
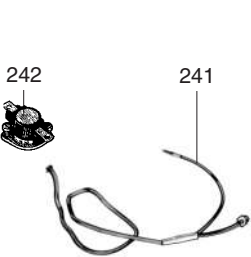
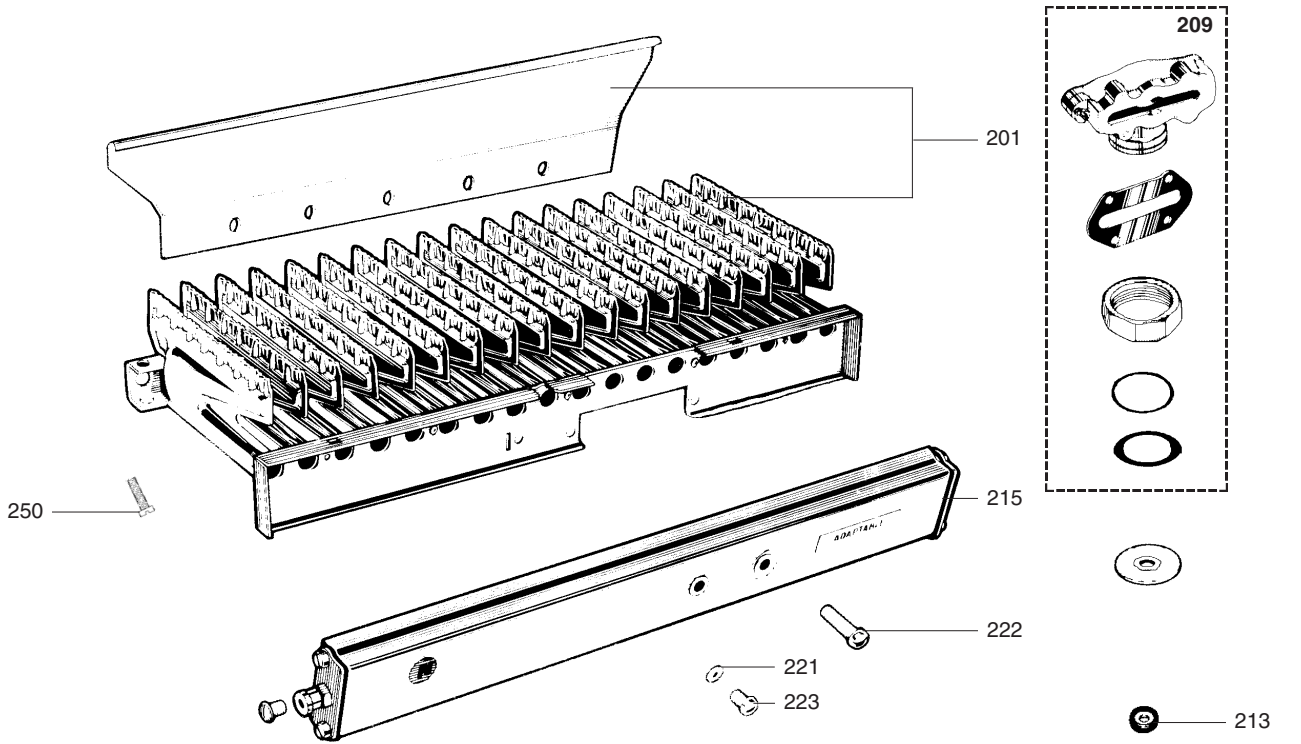
R8202211-05FR - Edition 05 - 23/11/2009

| | |
|----------------|-------------------------------------|
| 223 531 | CELTIC 2.18 CF NAT - MG 2.18 |
| 223 521 | CELTIC 2.18 CF B/P |
| 223 631 | CELTIC 2.18 VMC NAT - MG 2.18 VMC |
| 223 621 | CELTIC 2.18 VMC B/P |
| 225 031 | CELTIC 2.22 CF NAT - MG 2.2 b |
| 225 021 | CELTIC 2.22 CF B/P |
| 225 631 | CELTIC 2.22 VMC NAT |
| 225 621 | CELTIC 2.22 VMC B/P |
| 213 531-01 | CELTIC 1.18 NAT - MG 1.18 |
| 213 521 | CELTIC 1.18 B/P |
| 242 731 | CELTIC TIG 16 NAT - MGB TIG 16 |
| 242 721 | CELTIC TIG 16 B/P |
| 216 431 | CELTIC 1.22 NAT - MG 1.22 b |
| 200000 216 421 | CELTIC 1.22 B/P |
| 245 031 | CELTIC TIG 20 NAT - MGB TIG 20 |
| 245 021 | CELTIC TIG 20 B/P |
| 225 231-01 | CELTIC 2.20 RS NAT - MGS 2.20 |
| 225 221-01 | CELTIC 2.20 RS B/P |
| 215 231 | CELTIC 1.20 RS NAT |
| 215 221 | CELTIC 1.20 RS B/P |
| 245 231 | CELTIC TIG 20 RS NAT |
| 245 221 | CELTIC TIG 20 RS B/P |
| 225 035 | CELTIC 2.20 BF NAT |
| 225 025 | CELTIC 2.20 BF B/P |
| 225 131-02 | CELTIC 2.20 VE CFNAT - MGE 2.20 |
| 225 121-02 | CELTIC 2.20 VE CF B/P |
| 225 137-02 | CELTIC 2.20 VE FF NAT - MGE 2.10 VF |
| 225 127-02 | CELTIC 2.20 VE FF B/P |
| 227 531 | CELTIC 2.30 CF NAT - MG 2.30 |
| 227 521 | CELTIC 2.30 CF B/P |
| 217 531 | CELTIC 1.30 CF NAT - MG 1.30 |
| 217 521 | CELTIC 1.30 CF B/P |
| 245 435 | CELTIC TIG 20 BF NAT |
| 245 425 | CELTIC TIG 20 BF B/P |
| 247 531 | CELTIC TIG 30 CF NAT |
| 247 521 | CELTIC TIG 30 CF B/P |

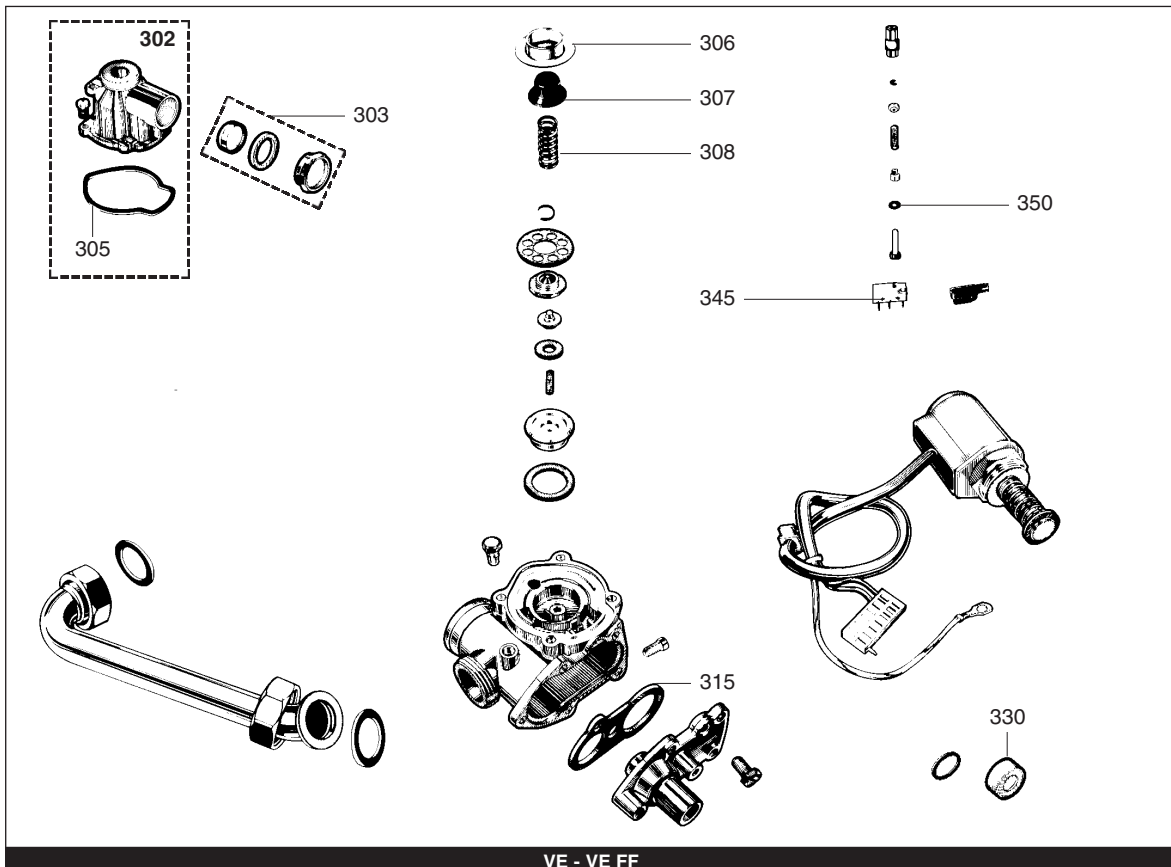
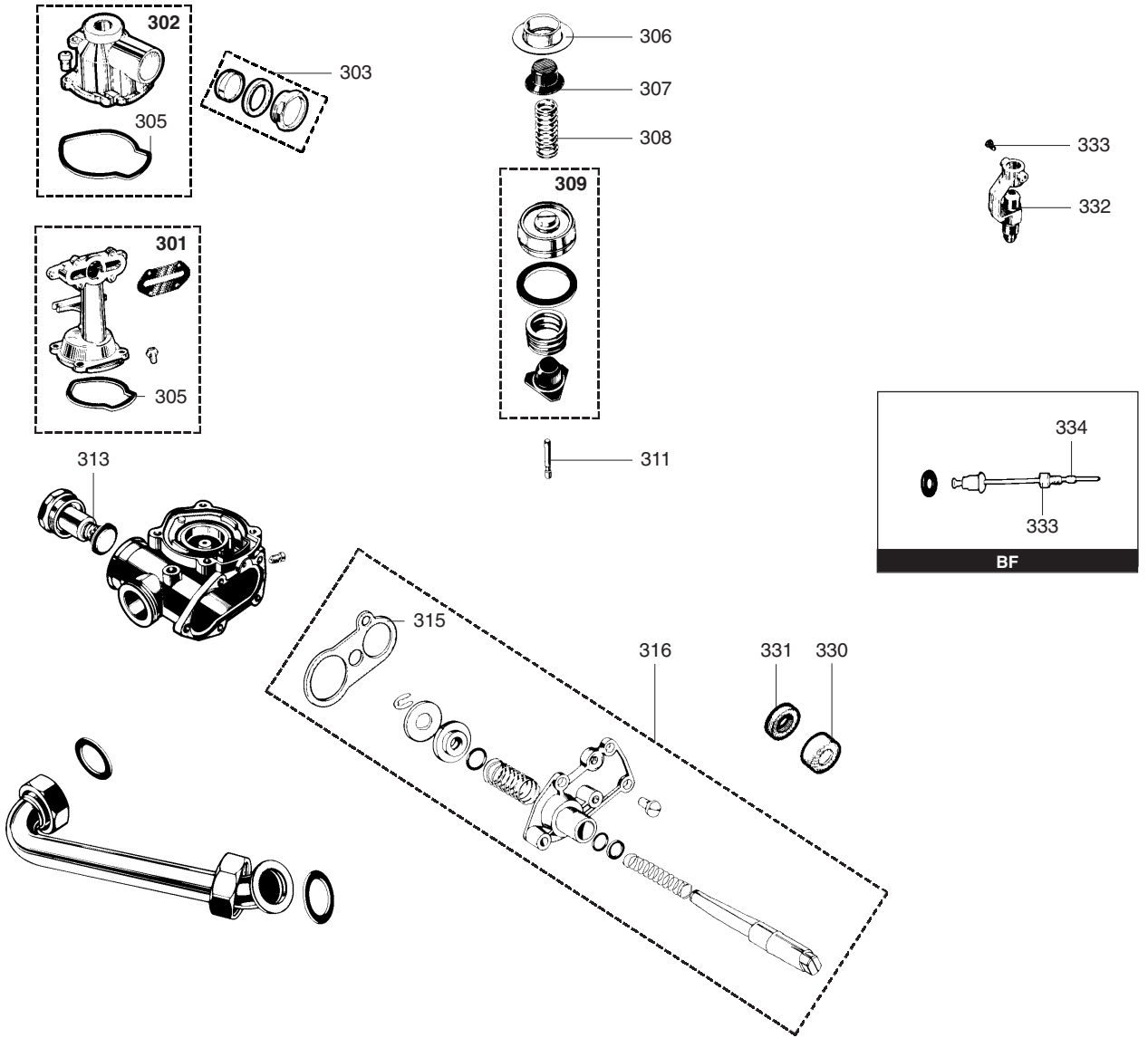


| Rep. | Désignation | Référence | Type | 2-18 | | 2-22 | | 1-18 | | TIG 16 | | 1-22 | | TIG 20 | | 2-20 | | 1-20 | | TIG 20 | | RS | | BF | | 30 | | VE | | | |
|------|--------------------------------|-------------|--------|------|-----|------|-----|------|----|--------|----|------|----|--------|----|------|----|------|----|--------|----|------|----|------|----|------|----|------|----|------|----|
| | | | | CF | VMC | CF | VMC | CF | CF | CF | CF | CF | CF | CF | CF | CF | CF | CF | CF | CF | CF | CF | CF | CF | CF | CF | CF | CF | CF | CF | CF |
| | | | | Date | | Date | | Date | | Date | | Date | | Date | | Date | | Date | | Date | | Date | | Date | | Date | | Date | | Date | |
| 0100 | HABILLAGE | | | | | | | | | | | | | | | | | | | | | | | | | | | | | | |
| 0115 | ECROU EN CAGE M 6 | 60004806-03 | | • | • | • | • | • | • | • | • | • | • | • | • | • | • | • | • | • | • | • | • | • | • | • | • | • | • | | |
| 0116 | VIS A TOLE CBLZ D: 3.9-9.5 | 60050460-03 | NOTA 1 | | | | | | | | | | | | | | | | | | | | | | | | | | | | |
| | VIS M 6-10 | 60031527-03 | NOTA 2 | • | • | • | • | • | • | • | • | • | • | • | • | • | • | • | • | • | • | • | • | • | • | • | • | • | • | | |
| 0121 | VIS CLS M 6-14 | 60014044 | | • | • | • | • | • | • | • | • | • | • | • | • | • | • | • | • | • | • | • | • | • | • | • | • | • | • | | |
| 0122 | BOUTON VALVE DISTRIBUT. BLEU | 60038009 | | • | • | • | • | | | | | • | | | | | | | | | | | | | | | | | | | |
| | BOUTON VALVE DISTRIBUT. BLEU | 60039217 | | | | | | | | | | | | | | | | | | | | | | | | | | | | | |
| 0129 | REFECTION CHARNIERE (Pochette) | 60081494 | | | | | | | | | | | | | | | | | | | | | | | | | | | | | |

NOTA 1 : 52 cm
NOTA 2 : 58 cm

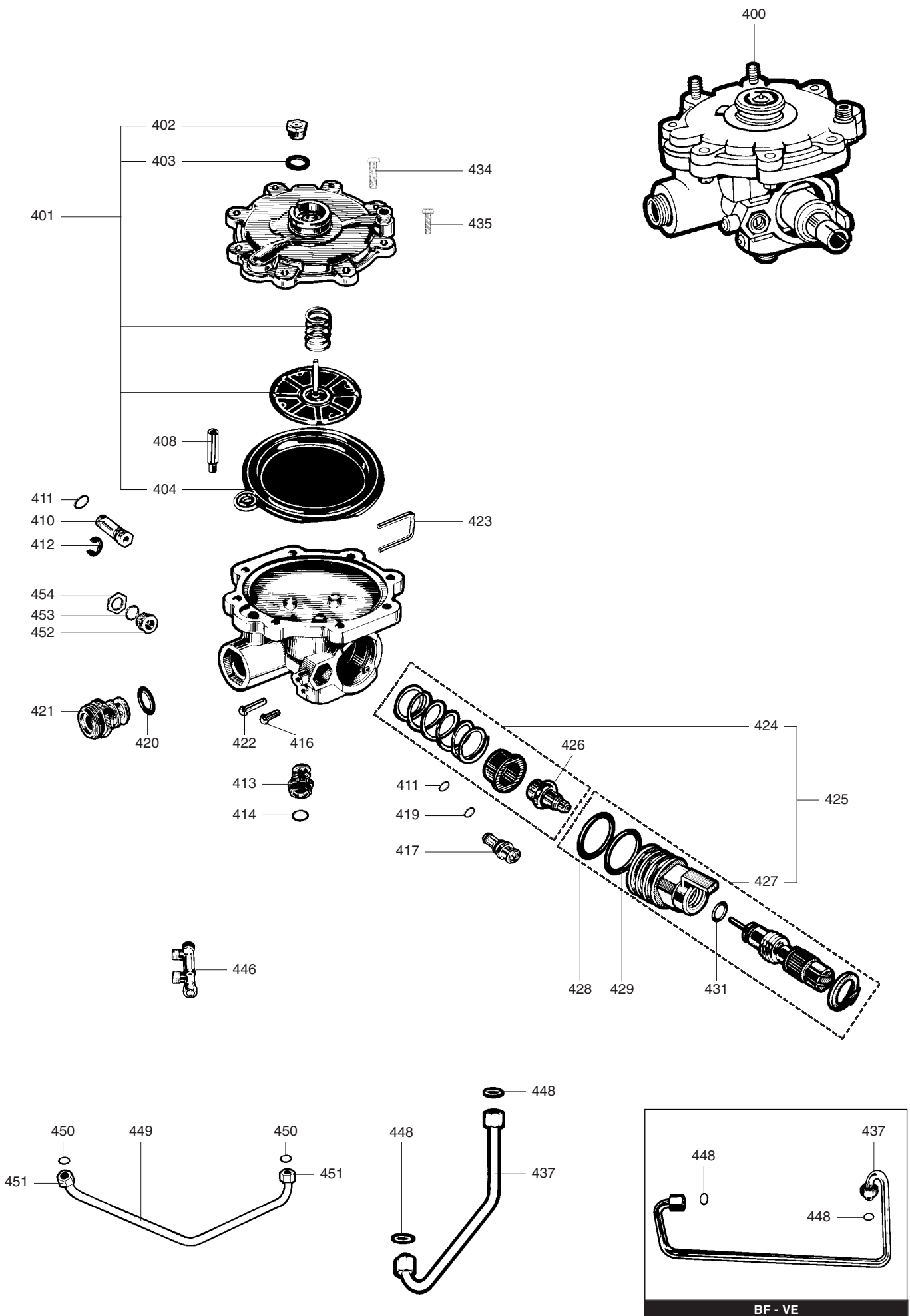


| Rep. | Désignation | Référence | Type | 2-18 | | 2-22 | | 1-18 | | TIG 16 | | 1-22 | | TIG 20 | | 2-20 | | 1-20 | | TIG 20 | | 2-20 | | 1-20 | | TIG 30 | | 2-20 VE | | Date | | | |
|-------------|--------------------------------|-------------|--------|------|-----|------|-----|------|----|--------|----|------|----|--------|----|------|----|------|----|--------|----|------|----|------|----|--------|----|---------|----|------|----|----|---|
| | | | | CF | VMC | CF | VMC | CF | CF | CF | CF | CF | CF | CF | CF | CF | CF | CF | CF | CF | CF | CF | CF | CF | CF | CF | CF | CF | CF | CF | CF | de | à |
| | | | | | | | | | | | | | | | | | | | | | | | | | | | | | | | | | |
| 0200 | BRULEUR | | | | | | | | | | | | | | | | | | | | | | | | | | | | | | | | |
| 0201 | BLOC DE BECS | 60023009-02 | | | • | • | | | | | • | • | | | | | | | | | | | | | | | | | | | | | |
| 0209 | EMBASE BRULEUR (POCHETTE) | 60081408 | | | | | | | | | | | | | | | • | • | | | | | | | | | • | • | | | | | |
| | EMBASE BRULEUR (POCHETTE) | 60081408 | GC-NAT | | | | | | | | | | | • | • | • | | | | | | | | | | | | | | | | | |
| 0213 | DIAPHRAGME GAZ D: 4.8 | 60028417-02 | B/P | | • | • | | | | | • | | | | | | | | | | | | | | | | | | | | | | |
| | DIAPHRAGME GAZ D: 4.2 | 60028417-05 | B/P | | | | | | | | | • | | | | | | | | | | | | | | | | | | | | | |
| | DIAPHRAGME GAZ D: 5.3 | 60028417-04 | NAT | • | • | | | | | | | | | | | | | | | | | | | | | | | | | | | | |
| | DIAPHRAGME GAZ D: 4.2 | 60028417-05 | NAT | | | | • | | | | | | | | | | | | | | | | | | | | | | | | | | |
| | DIAPHRAGME GAZ D: 5 | 60028417-10 | NAT | | | | | | | | | • | | | | | | | | | | | | | | | | | | | | | |
| 0215 | NOURRICE 18 INJ. BUT/PROP | 60023008-09 | B/P | | | | | | | | | • | • | • | • | | | | | | | | | | | | | • | | | | | |
| | NOURRICE 14 INJ. BUT/PROP | 60023194-04 | B/P | | | | | | | | | • | | | | | | | | | | | | | | | | | | | | | |
| | NOURRICE 18 INJ. NAT | 60023008-23 | NAT | | | • | • | | | | | • | • | | | | | | | | | | | | | | | | | | | | |
| | NOURRICE 14 INJ. NAT | 60023194-15 | NAT | • | • | | | | | | | • | • | | | | | | | | | | | | | | | | | | | | |
| 0221 | RONDELLE D: 10-5-1 | 60022118-03 | | • | • | • | • | • | • | • | • | • | • | • | • | • | • | • | • | • | • | • | • | • | • | • | • | • | • | • | • | | |
| 0222 | VIS M 5-25 | 60031035-03 | | • | • | • | • | • | • | • | • | • | • | • | • | • | • | • | • | • | • | • | • | • | • | • | • | • | • | • | • | | |
| 0223 | VIS HX M 5-12 | 61010131 | | • | • | • | • | • | • | • | • | • | • | • | • | • | • | • | • | • | • | • | • | • | • | • | • | • | • | • | • | | |
| 0226 | VEILLEUSE ENS | 60100344-30 | | • | • | • | • | • | • | • | • | • | • | • | • | • | | | | | | | | | | | | | | | | | |
| 0229 | INJECTEUR DE VEILLEUSE D: 0.2 | 60026645 | B/P | | | | | | | | | | | | | | | | | | | | | | | | | | | | | | |
| | INJECTEUR DE VEILLEUSE (Poch.) | 60081520 | B/P | • | • | • | • | • | • | • | • | • | • | • | • | • | | | | | | | | | | | | | | | | | |
| | INJECTEUR DE VEILLEUSE D: 0.35 | 60040624 | NAT | | | | | | | | | | | | | | | | | | | | | | | | | | | | | | |
| | INJECTEUR DE VEILLEUSE (Poch.) | 60081406 | NAT | • | • | • | • | • | • | • | • | • | • | • | • | • | | | | | | | | | | | | | | | | | |
| 0232 | SUPPORT THERMOCOUPLE | 60027051-03 | | • | • | • | • | • | • | • | • | • | • | • | • | • | | | | | | | | | | | | | | | | | |
| 0241 | THERMOCOUPLE | 60031243 | | • | • | • | • | • | • | • | • | • | • | • | • | | | | | | | | | | | | | | | | | | |
| | THERMOCOUPLE | 60031601 | | | • | | • | | | | | | | | | | | | | | | | | | | | | | | | | | |
| | THERMOCOUPLE ALUMINIE | 60045465-10 | | | | | | | | | | | | | | | | | | | | | | | | | | | | | | | |
| 0242 | SECURITE THERMIQUE 110°C (Poc) | 60031731 | | • | • | • | • | • | • | • | • | • | • | • | • | • | • | • | • | • | • | • | • | • | • | • | • | • | • | • | • | | |
| 0247 | ALLUMEUR | 60034269 | | • | • | • | • | • | • | • | • | • | • | • | • | • | • | • | • | • | • | • | • | • | • | • | • | • | • | • | • | | |
| 0248 | ALLUMEUR (Pochette) | 60035053 | | • | • | • | • | • | • | • | • | • | • | • | • | • | | | | | | | | | | | | | | | | | |
| 0249 | ELECTRODE ALLUMAGE | 60060466 | | • | • | • | • | • | • | • | • | • | • | • | • | • | | | | | | | | | | | | | | | | | |
| 0250 | VIS M 6-10 | 60031527-03 | | • | • | • | • | • | • | • | • | • | | | | | | | | | | | | | | | | | | | | | |
| 0252 | VIS M 4-12 | 60042585-02 | | | | | | | | | | | | | | | | | | | | | | | | | | | | | | | |
| 0253 | CORPS VEILLEUSE | 60024305-20 | B/P | | | | | | | | | | | | | | | | | | | | | | | | | | | | | | |
| | CORPS VEILLEUSE | 60024305 | NAT | | | | | | | | | | | | | | | | | | | | | | | | | | | | | | |
| 0254 | JOINT DE FORME (/Injecteur) | 60026281 | | | | | | | | | | | | | | | | | | | | | | | | | | | | | | | |
| 0255 | THERMOCOUPLE | 60032035 | | | | | | | | | | | | | | | | | | | | | | | | | | | | | | | |
| 0256 | PASSE FIL | 60039017 | | | | | | | | | | | | | | | | | | | | | | | | | | | | | | | |
| 0257 | COIFFE VEILLEUSE | 60022391-03 | | | | | | | | | | | | | | | | | | | | | | | | | | | | | | | |
| 0258 | FILTRE A AIR | 60022753-10 | | | | | | | | | | | | | | | | | | | | | | | | | | | | | | | |
| 0259 | CROCHET | 60017337 | | | | | | | | | | | | | | | | | | | | | | | | | | | | | | | |
| 0260 | ELECTRODE ALLUMAGE | 60036899 | | | | | | | | | | | | | | | | | | | | | | | | | | | | | | | |
| 0261 | ELECTRODE IONISATION | 60036900 | | | | | | | | | | | | | | | | | | | | | | | | | | | | | | | |
| 0262 | RONDELLE EVENTAIL D: 4 | 60028466-03 | | | | | | | | | | | | | | | | | | | | | | | | | | | | | | | |
| 0263 | VIS A TOLE CBLZ D: 3.9-9.5 | 60050460-03 | | | | | | | | | | | | | | | | | | | | | | | | | | | | | | | |
| 0265 | PATTE SUPPORT | 60039439 | | | | | | | | | | | | | | | | | | | | | | | | | | | | | | | |



VE - VE FF

| Rep. | Désignation | Référence | Type | 2-18 | | 2-22 | | 1-18 | | TIG 16 | | 1-22 | | TIG 20 | | 1-20 | | TIG 20 | | RS | | BF | | 30 | | VE | | | |
|------|-------------------------------|-------------|---------|------|-----|------|-----|------|----|--------|----|------|----|--------|----|------|----|--------|----|----|----|----|----|----|----|----|----|----|----|
| | | | | CF | VMC | CF | VMC | CF | CF | CF | CF | CF | CF | CF | CF | CF | CF | CF | CF | CF | CF | CF | CF | CF | CF | CF | CF | CF | CF |
| | | | | Date | | | | | | | | | | | | | | | | | | | | | | | | | |
| | | | | | | | | | | | | | | | | | | | | | | | | | | de | à | | |
| 0300 | ARMATURE GAZ | | | | | | | | | | | | | | | | | | | | | | | | | | | | |
| 0301 | EMBASSE BRULEUR (POCHETTE) | 60081507 | B/P | | | | | | | | | | | | | | | | | | | | | | | | | | |
| | EMBASSE BRULEUR (POCHETTE) | 60081507 | NAT-B/P | • | • | • | • | • | • | • | • | • | | | | | | | | | | | | | | | | | |
| 0302 | CORPS REGULATEUR (Pochette) | 60081195 | | | | | | | | | | | | | | | | | | | | | | | | | | | |
| | CORPS REGULATEUR (Pochette) | 60081195 | NAT | | | | | | | | | | | | | | | | | | | | | | | | | | |
| 0303 | BY-PASS (Pochette) | 60081197 | | | | | | | | | | | | | | | | | | | | | | | | | | | |
| | BY-PASS (Pochette) | 60081197 | NAT | | | | | | | | | | | | | | | | | | | | | | | | | | |
| 0305 | JOINT D'EMBASSE | 60024653 | | • | • | • | • | • | • | • | • | • | | | | | | | | | | | | | | | | | |
| 0306 | FLOTTEUR | 60025463 | NAT | | | | | | | | | | | | | | | | | | | | | | | | | | |
| 0307 | APPUI RESSORT | 60025293 | | | | | | | | | | | | | | | | | | | | | | | | | | | |
| | APPUI RESSORT | 60025293 | NAT | | | | | | | | | | | | | | | | | | | | | | | | | | |
| 0308 | RESSORT 14 x 1.5 L: 33 | 60026764 | | • | • | • | • | • | • | • | • | • | | | | | | | | | | | | | | | | | |
| 0309 | CLAPET GAZ BUT/PROP A CLIQUET | 60031448 | B/P | • | | | | | | | | | | | | | | | | | | | | | | | | | |
| | CLAPET GAZ NAT A CLIQUET | 60031446 | NAT | • | | | | | | | | | | | | | | | | | | | | | | | | | |
| | CLAPET GAZ NAT A CLIQUET | 60039593 | NAT | | • | | | | | | | | | | | | | | | | | | | | | | | | |
| 0311 | AXE GAZ | 60014795 | | • | • | • | • | • | • | • | • | • | | | | | | | | | | | | | | | | | |
| 0313 | BOUCHON MAGNETIQUE | 60024800 | | • | • | • | • | • | • | • | • | • | | | | | | | | | | | | | | | | | |
| 0315 | JOINT DE FORME (/Bloc pous.) | 60024654 | | • | • | • | • | • | • | • | • | • | | | | | | | | | | | | | • | • | | | |
| 0316 | BLOC POUSSOIR (Pochette) | 60081198 | | • | • | • | • | • | • | • | • | • | | | | | | | | | | | | | | | | | |
| 0330 | ECROU MOLETE M 16-1 | 60027409 | | • | • | • | • | • | • | • | • | • | | | | | | | | | | | | | | | | | |
| 0331 | CONTRE ECROU M 16-100 | 60014364 | | • | • | • | • | • | • | • | • | • | | | | | | | | | | | | | | | | | |
| 0332 | PORTE INJECTEUR | 60034220 | | • | • | • | • | • | • | • | • | • | | | | | | | | | | | | | | | | | |
| 0333 | VIS CS M 3-8 | 60010764-03 | | • | • | • | • | • | • | • | • | • | | | | | | | | | | | | | | | | | |
| 0334 | BAGUE BICONE D: 4 | 60003563 | | | | | | | | | | | | | | | | | | | | | | | | | | | |
| 0345 | MICRO CONTACT EQUIPE | 60044017 | NAT-B/P | | | | | | | | | | | | | | | | | | | | | | | • | • | | |
| 0350 | JOINT TORIQUE D: 1.9-2.55 | 60021061-07 | | | | | | | | | | | | | | | | | | | | | | | | • | • | | |

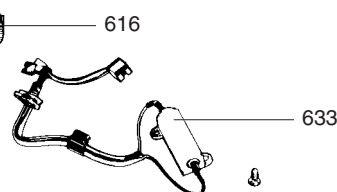
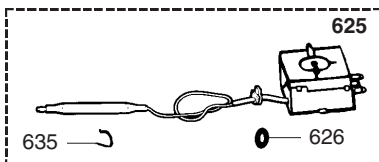
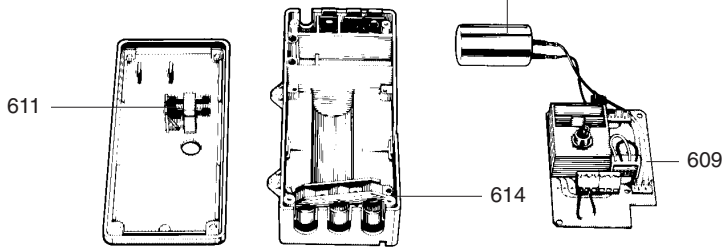
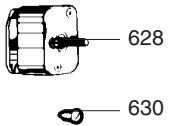
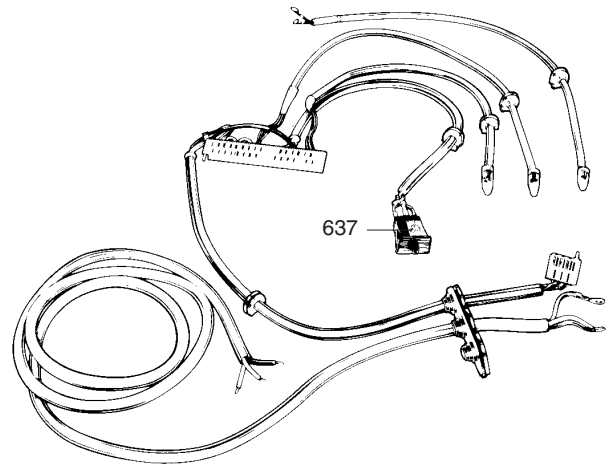
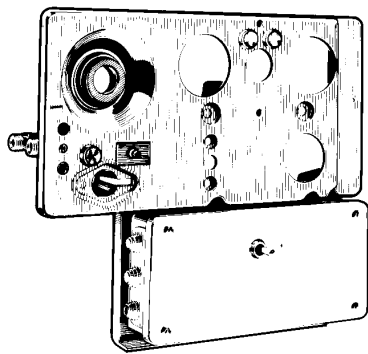
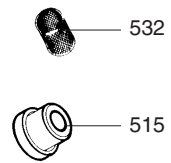
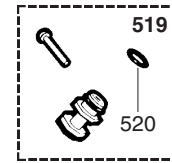
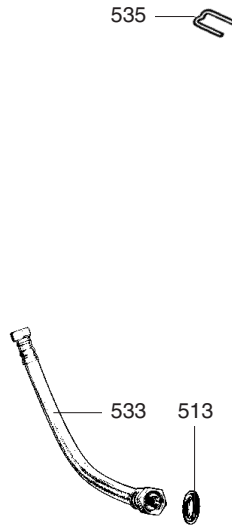
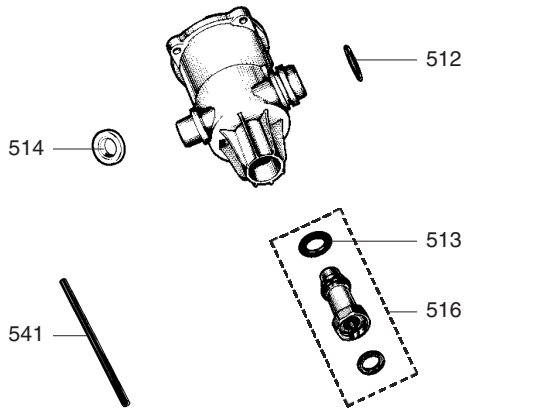
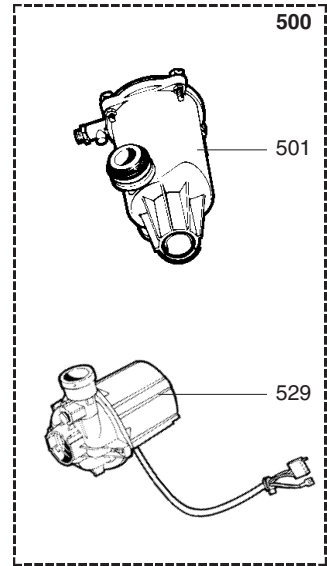
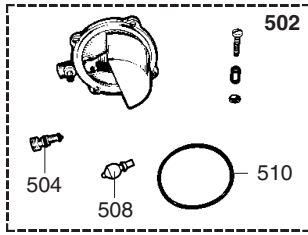
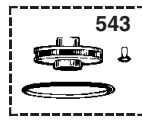
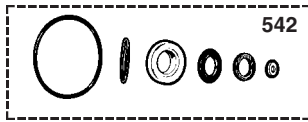


| Rep. | Désignation | Référence | Type | 2-18 | | 2-22 | | 1-18 | | TIG 16 | | 1-22 | | TIG 20 | | 2-20 | | 1-20 | | TIG 20 | | RS | | BF | | 30 | | VE | | | |
|------|--------------------------------|-------------|--------|------|-----|------|-----|------|----|--------|----|------|----|--------|----|------|----|------|----|--------|----|----|----|----|----|----|----|----|----|----|----|
| | | | | CF | VMC | CF | VMC | CF | CF | CF | CF | CF | CF | CF | CF | CF | CF | CF | CF | CF | CF | CF | CF | CF | CF | CF | CF | CF | CF | CF | CF |
| | | | | Date | | de | | à | | | | | | | | | | | | | | | | | | | | | | | |
| 0400 | VALVE EAU THERMOSTATIQUE | 60030905 | | | | | | | | | | | | | | | | | | | | | | | | | | | | | |
| | VALVE EAU THERMOS.(SS R.P.A.) | 60031408 | | • | • | • | • | | | | | | | | | | | | | | | | | | | | | | | | |
| | VALVE EAU THER.(AVEC Rob.P.A.) | 60042739 | | • | • | • | • | | | | | | | | | | | | | | | | | | | | | | | | |
| | VALVE EAU THERMOSTATIQUE | 60042741 | | | | | | | | | | | | | | | | | | | | | | | | | | | | | |
| 0401 | REFECTION VALVE EAU (Pochette) | 60100605-30 | | • | • | • | • | • | • | • | • | • | • | • | • | • | • | • | • | • | • | • | • | • | • | • | • | • | • | | |
| 0402 | PRESSE ETOUPE | 60022639 | | • | • | • | • | • | • | • | • | • | • | • | • | • | • | • | • | • | • | • | • | • | • | • | • | • | • | | |
| 0403 | JOINT PLAT D: 14.8-10.3-1.5 | 60061854-11 | | • | • | • | • | • | • | • | • | • | • | • | • | • | • | • | • | • | • | • | • | • | • | • | • | • | • | | |
| 0404 | MEMBRANE | 60022171-10 | | • | • | • | • | • | • | • | • | • | • | • | • | • | • | • | • | • | • | • | • | • | • | • | • | • | • | | |
| 0408 | TUBE COMMUNICATION | 60025043 | | | | | | | | | | | | | | | | | | | | | | | | | | | | | |
| | TUBE COMMUNICATION | 60026418 | | • | • | • | • | | | | | | | | | | | | | | | | | | | | | | | | |
| 0410 | RACCORD M 10x100 | 60042549 | | • | • | • | • | • | • | • | • | • | • | • | • | • | • | • | • | • | • | • | • | • | • | • | • | • | • | | |
| 0411 | JOINT TORIQUE D: 7.2-1.9 | 60024183-12 | | • | • | • | • | • | • | • | • | • | • | • | • | • | • | • | • | • | • | • | • | • | • | • | • | • | • | | |
| 0412 | CIRCLIPS EXT D: 8 | 60020769-23 | | • | • | • | • | • | • | • | • | • | • | • | • | • | • | • | • | • | • | • | • | • | • | • | • | • | • | | |
| 0413 | RACCORD SURPRESSION POUR TUBE | 60042550-08 | | • | • | • | • | | | | | | | | | | | | | | | | | | | | | | | | |
| 0414 | JOINT TORIQUE D: 5.7-1.9 | 60024183-10 | | • | • | • | • | • | • | • | • | • | • | • | • | • | • | • | • | • | • | • | • | • | • | • | • | • | • | | |
| 0416 | CLOU CANNELE D: 3-16 | 60042551 | | • | • | • | • | • | • | • | • | • | • | • | • | • | • | • | • | • | • | • | • | • | • | • | • | • | • | | |
| 0417 | BY-PASS | 60042553 | | • | • | • | • | | | | | | | | | | | | | | | | | | | | | | | | |
| 0419 | JOINT TORIQUE D: 4.9-1.9 | 60024183-09 | | • | • | • | • | | | | | | | | | | | | | | | | | | | | | | | | |
| 0420 | JOINT TORIQUE D: 12.1-2.7 | 60024183-16 | | • | • | • | • | • | • | • | • | • | • | • | • | • | • | • | • | • | • | • | • | • | • | • | • | • | • | | |
| 0421 | RACCORD M 1/2 | 60023623 | | • | • | • | • | • | • | • | • | • | • | • | • | • | • | • | • | • | • | • | • | • | • | • | • | • | • | | |
| 0422 | CLOU CANNELE D: 3-10 | 60042552 | | • | • | • | • | | | | | | | | | | | | | | | | | | | | | | | | |
| 0423 | CLIP | 60023537-03 | | • | • | • | • | • | • | • | • | • | • | • | • | • | • | • | • | • | • | • | • | • | • | • | • | • | • | | |
| 0424 | ELEMENT THERMOSTATIQUE (Poch.) | 60100602-30 | | • | • | • | • | • | • | • | • | • | • | • | • | • | • | • | • | • | • | • | • | • | • | • | • | • | • | | |
| | ELEMENT THERMOSTATIQUE (Poch.) | 60038991 | NOTA 1 | • | • | • | • | | | | | | | | | | | | | | | | | | | | | | | | |
| 0425 | ELEMENT DE MANOEUVRE (Poch.) | 60100600-30 | | • | • | • | • | • | • | • | • | • | • | • | • | • | • | • | • | • | • | • | • | • | • | • | • | • | • | | |
| | ELEMENT DE MANOEUVRE (Poch.) | 60100601-30 | | • | • | • | • | | | | | | | | | | | | | | | | | | | | | | | | |
| 0426 | ELEMENT THERMOSTATIQUE | 60034779 | | • | • | • | • | • | • | • | • | • | • | • | • | • | • | • | • | • | • | • | • | • | • | • | • | • | • | | |
| 0427 | ELEMENT DE MANOEUVRE | 60034799 | | • | • | • | • | • | • | • | • | • | • | • | • | • | • | • | • | • | • | • | • | • | • | • | • | • | • | | |
| 0428 | JOINT TORIQUE D: 21.3-3.6 | 60024183-25 | | • | • | • | • | • | • | • | • | • | • | • | • | • | • | • | • | • | • | • | • | • | • | • | • | • | • | | |
| 0429 | JOINT TORIQUE D: 23-3.6 | 60024183-32 | | • | • | • | • | • | • | • | • | • | • | • | • | • | • | • | • | • | • | • | • | • | • | • | • | • | • | | |
| 0431 | JOINT TORIQUE D: 7.2-1.9 | 60024164-12 | | • | • | • | • | • | • | • | • | • | • | • | • | • | • | • | • | • | • | • | • | • | • | • | • | • | • | | |
| 0434 | VIS M 5-25 | 60031035-03 | | • | • | • | • | • | • | • | • | • | • | • | • | • | • | • | • | • | • | • | • | • | • | • | • | • | • | | |
| 0435 | VIS M 5-15 | 60031088-03 | | • | • | • | • | • | • | • | • | • | • | • | • | • | • | • | • | • | • | • | • | • | • | • | • | • | • | | |
| 0437 | TUBE DE SURPRESSION | 60035995-08 | | • | • | • | • | • | • | • | • | • | • | • | • | • | • | • | • | • | • | • | • | • | • | • | • | • | • | | |
| 0446 | ROBINET PUISS.AJUSTABLE | 60031227 | | • | • | • | • | | | | | | | | | | | | | | | | | | | | | | | | |
| 0448 | JOINT PLAT D: 8.5-4.1-1.5 | 60061852-12 | | • | • | • | • | • | • | • | • | • | • | • | • | • | • | • | • | • | • | • | • | • | • | • | • | • | • | | |
| 0450 | BAGUE BICONE D: 6 | 60022865 | | • | • | • | • | | | | | | | | | | | | | | | | | | | | | | | | |
| | JOINT PLAT D: 18.2-14-1.5 | 60061855-16 | | | | | | • | • | • | • | • | • | • | • | • | • | • | • | • | • | • | • | • | • | • | • | • | • | | |
| 0451 | ECROU H M 10-1 | 60022864-08 | | • | • | • | • | | | | | | | | | | | | | | | | | | | | | | | | |
| 0453 | JOINT TORIQUE D: 15.1-2.7 | 60024183-19 | | • | • | • | • | | | | | | | | | | | | | | | | | | | | | | | | |
| 0454 | CONTRE ECROU H 1/2" | 60034780-08 | | • | • | • | • | | | | | | | | | | | | | | | | | | | | | | | | |

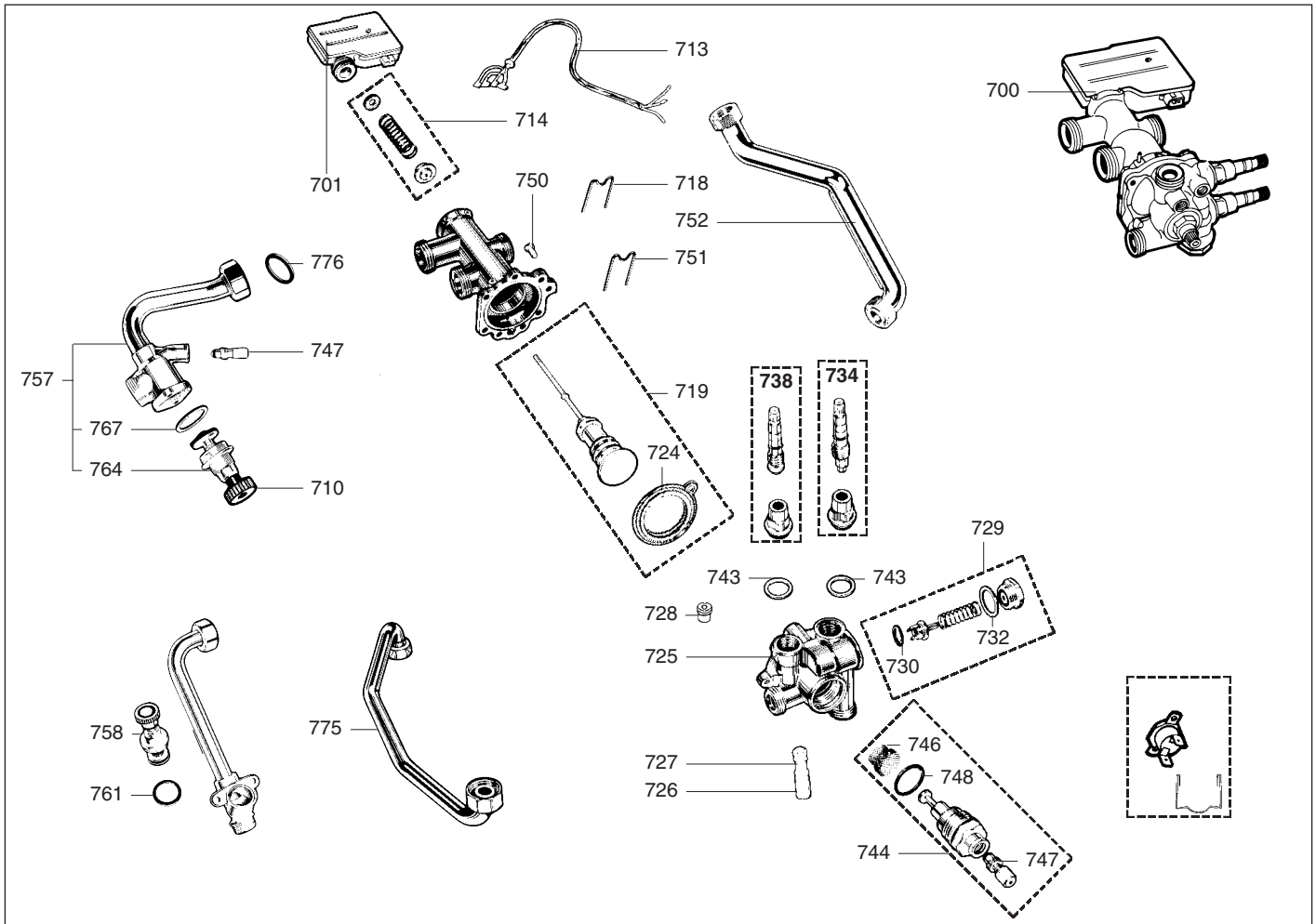
NOTA 1 : ANCIENNE CARTOUCHE.

CELTIC non RSC

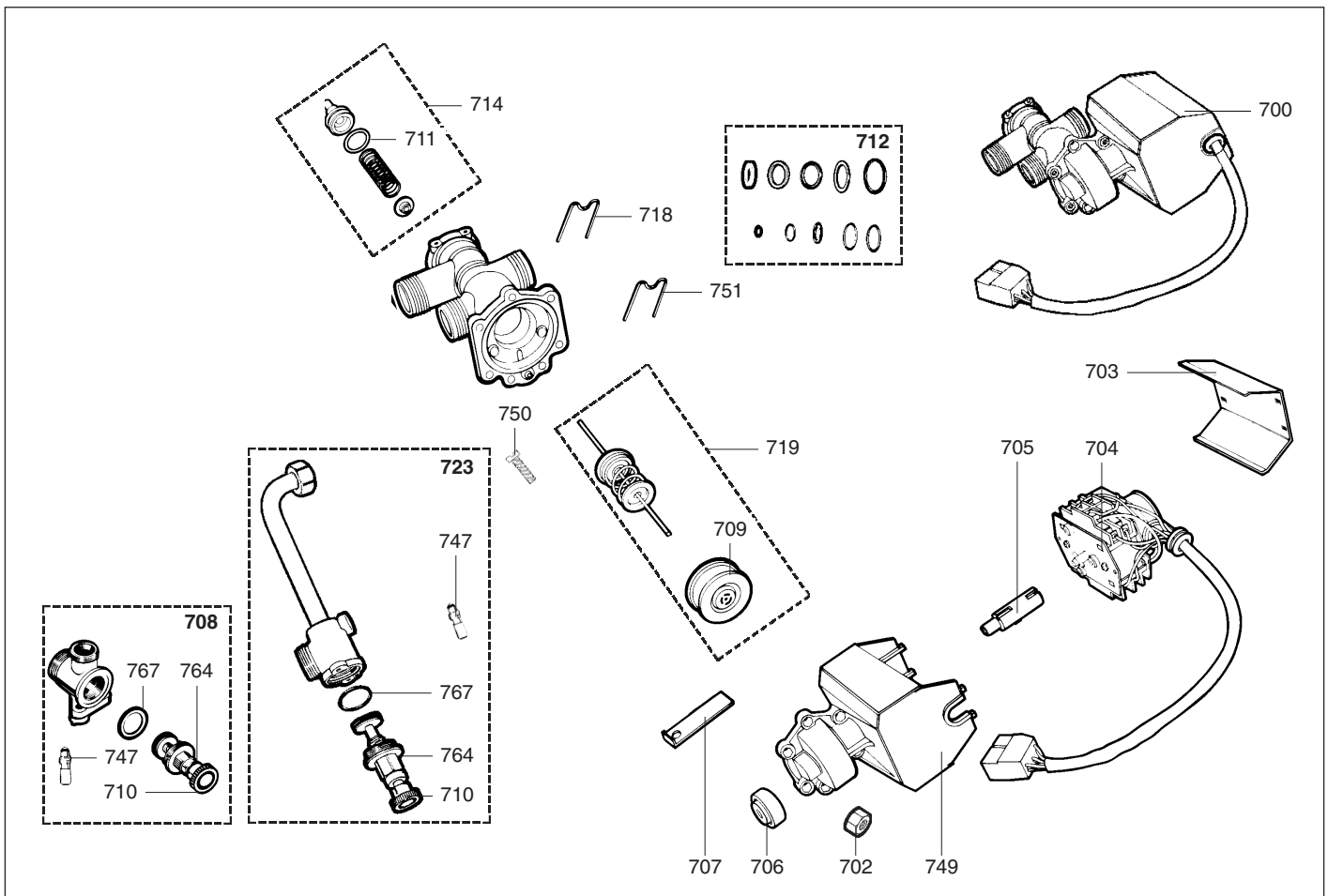
Chauffage Domestique



| Rep. | Désignation | Référence | Type | 2-18 | | 2-22 | | 1-18 | | TIG 16 | | 1-22 | | TIG 20 | | 1-20 | | TIG 20 | | RS | | BF | | 30 | | VE | | | |
|-------------|-----------------------------------|-------------|------|------|-----|------|-----|------|----|--------|----|------|----|--------|----|------|----|--------|----|----|----|----|----|----|----|----|----|----|----|
| | | | | CF | VMC | CF | VMC | CF | CF | CF | CF | CF | CF | CF | CF | CF | CF | CF | CF | CF | CF | CF | CF | CF | CF | CF | CF | CF | CF |
| | | | | Date | | de | | à | | | | | | | | | | | | | | | | | | | | | |
| 0500 | CIRCULATEUR + DEGAZEUR ENS | 60056685 | | | | | | | | | | | | | | | | | | | | | | | | | | | |
| | CIRCULATEUR (EQUIPEMENT) | 60060097 | | • | • | • | • | • | • | • | • | • | • | • | • | • | • | • | • | • | • | • | • | • | • | • | • | | |
| 0501 | DEGAZEUR COMPLET | 60037374 | | • | • | • | • | • | • | • | • | • | • | • | • | • | • | • | • | • | • | • | • | • | • | • | • | | |
| 0502 | COUVERCLE DEGAZEUR (Pochette) | 60035748 | | • | • | • | • | • | • | • | • | • | • | • | • | • | • | • | • | • | • | • | • | • | • | • | • | | |
| 0504 | PURGEUR EQUIPE (Pochette) | 60081421 | | • | • | • | • | • | • | • | • | • | • | • | • | • | • | • | • | • | • | • | • | • | • | • | • | | |
| 0508 | CLAPET DEGAZEUR | 60035750 | | • | • | • | • | • | • | • | • | • | • | • | • | • | • | • | • | • | • | • | • | • | • | • | • | | |
| 0510 | JOINT DE FORME ((Degazeur) | 60053847 | | • | • | • | • | • | • | • | • | • | • | • | • | • | • | • | • | • | • | • | • | • | • | • | • | | |
| 0512 | JOINT TORIQUE D: 27.8-3.6 | 60024164-35 | | • | • | • | • | • | • | • | • | • | • | • | • | • | • | • | • | • | • | • | • | • | • | • | • | | |
| 0513 | JOINT TORIQUE D: 16-5 | 60024959-12 | | • | • | • | • | • | • | • | • | • | • | • | • | • | • | • | • | • | • | • | • | • | • | • | • | | |
| 0514 | SILENCIEUX | 60025136 | | • | • | • | • | • | • | • | • | • | • | • | • | • | • | • | • | • | • | • | • | • | • | • | • | | |
| 0515 | AMORTISSEUR | 60049974 | | • | • | • | • | • | • | • | • | • | • | • | • | • | • | • | • | • | • | • | • | • | • | • | • | | |
| 0516 | RACCORD DE DEGAZEUR (Pochette) | 60081020 | | • | • | • | • | • | • | • | • | • | • | • | • | • | • | • | • | • | • | • | • | • | • | • | • | | |
| 0519 | BOUCHON SURPRESSION (Pochette) | 60081332 | | • | • | • | • | • | • | • | • | • | • | • | • | • | • | • | • | • | • | • | • | • | • | • | • | | |
| | RACCORD DE SURPRESSION (Poch.) | 60081511 | | | | | | | | | | | | | | | | | | | | | | | | | | | |
| 0520 | JOINT TORIQUE D: 5.7-1.9 | 60024183-10 | | • | • | • | • | • | • | • | • | • | • | • | • | • | • | • | • | • | • | • | • | • | • | • | • | | |
| 0522 | CLIP | 60030898-03 | | • | • | • | • | • | • | • | • | • | • | • | • | • | • | • | • | • | • | • | • | • | • | • | • | | |
| 0529 | CIRCULATEUR 1 VITESSE (D) | 60073887 | | • | • | • | • | • | • | • | • | • | • | • | • | • | • | • | • | • | • | • | • | • | • | • | • | | |
| 0532 | FILTRE | 60036677 | | • | • | • | • | • | • | • | • | • | • | • | • | • | • | • | • | • | • | • | • | • | • | • | • | | |
| 0533 | DURIT | 60060039 | | • | • | • | • | • | • | • | • | • | • | • | • | • | • | • | • | • | • | • | • | • | • | • | • | | |
| 0535 | CLIP | 60031764 | | • | • | • | • | • | • | • | • | • | • | • | • | • | • | • | • | • | • | • | • | • | • | • | • | | |
| 0541 | TUBE PVC D:9 LG 315 | 60030900 | | • | • | • | • | • | • | • | • | • | • | • | • | • | • | • | • | • | • | • | • | • | • | • | • | | |
| 0542 | JOINTS DE DEGAZEUR (Pochette) | 60081024 | | • | • | • | • | • | • | • | • | • | • | • | • | • | • | • | • | • | • | • | • | • | • | • | • | | |
| 0543 | TURBINE DE CIRCULATEUR D:63 Poch | 60100802-30 | | • | • | • | • | • | • | • | • | • | • | • | • | • | • | • | • | • | • | • | • | • | • | • | • | | |
| | TURBINE DE CIRCULATEUR D:55 Poch | 60100804-30 | | • | • | • | • | • | • | • | • | • | • | • | • | • | • | • | • | • | • | • | • | • | • | • | • | | |
| 0600 | BOITIER ELECTRIQUE | | | | | | | | | | | | | | | | | | | | | | | | | | | | |
| 0607 | CONDENSATEUR 2 MF | 60028463 | | • | • | • | • | • | • | • | • | • | • | • | • | • | • | • | • | • | • | • | • | • | • | • | • | | |
| | CONDENSATEUR 1 VITESSE | 60028464 | | | | | | | | | | | | | | | | | | | | | | | | | | | |
| 0609 | CIRCUIT IMPRIME | 60030179 | | • | • | • | • | | | | | | | | | | | | | | | | | | | | | | |
| | CIRCUIT IMPRIME | 60030180 | | | | | | • | | | | | | | | | | | | | | | | | | | | | |
| | CIRCUIT IMPRIME | 60030181 | | | | | | | • | | | | | | | | | | | | | | | | | | | | |
| | CIRCUIT IMPRIME | 60043136 | | | | | | | | | | | | | | | | | | | | | | | | | | | |
| 0611 | FUSIBLE 220V 630mA | 60028472 | | • | • | • | • | • | • | • | • | • | • | • | • | • | • | • | • | • | • | • | • | • | • | • | • | | |
| | FUSIBLE 220V 1A | 60041557 | | | | | | | | | | | | | | | | | | | | | | | | | | | |
| 0613 | VIS A TOLE D: 3.56-16 | 60045654 | | • | • | • | • | • | • | • | • | • | • | • | • | • | • | • | • | • | • | • | • | • | • | • | • | | |
| 0625 | AQUASTAT 57°C (Pochette) | 60100606-30 | | • | • | • | • | | | | | | | | | | | | | | | | | | | | | | |
| | THERMOSTAT (Pochette) | 60100607-30 | | | | | | | | | | | | | | | | | | | | | | | | | | | |
| 0626 | JOINT TORIQUE D: 7.2-1.9 | 60024164-12 | | • | • | • | • | | | | | | | | | | | | | | | | | | | | | | |
| 0628 | CHRONORUPTEUR 14H | 60030697 | | • | • | • | • | • | • | • | • | • | • | • | • | • | • | • | • | • | • | • | • | • | • | • | • | | |
| 0630 | VIS M 4-6 | 60019197-03 | | • | • | • | • | • | • | • | • | • | • | • | • | • | • | • | • | • | • | • | • | • | • | • | • | | |
| 0633 | RESISTANCE CABLEE 680 OHMS | 60030886 | | • | • | • | • | | | | | | | | | | | | | | | | | | | | | | |
| 0635 | CLIP | 60031546 | | • | • | • | • | | | | | | | | | | | | | | | | | | | | | | |
| 0637 | DISJONCTEUR | 60037021 | | | | | | | | | | | | | | | | | | | | | | | | | | | |

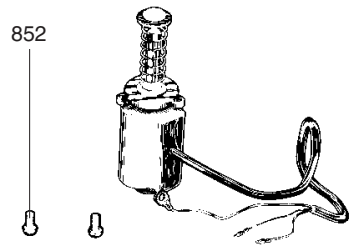
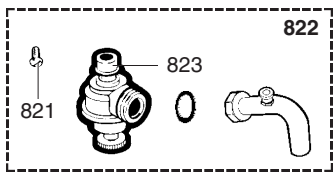
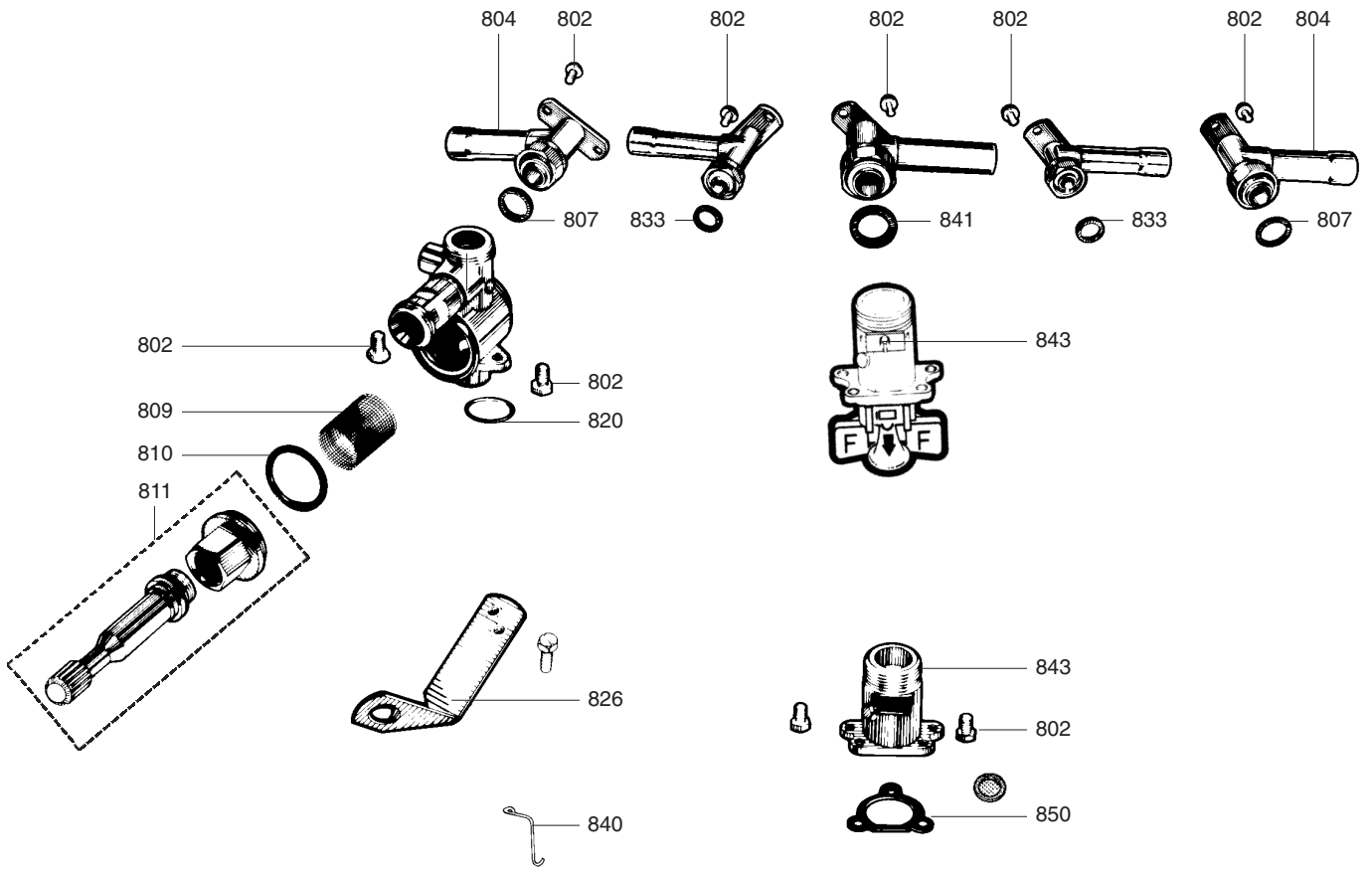


1.XX & 2.XX

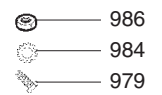
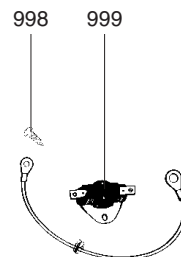
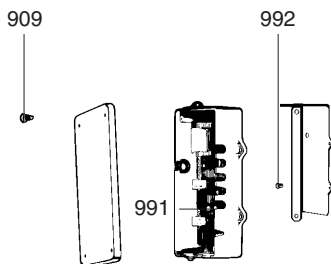
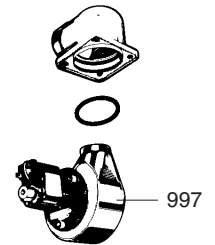
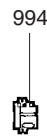
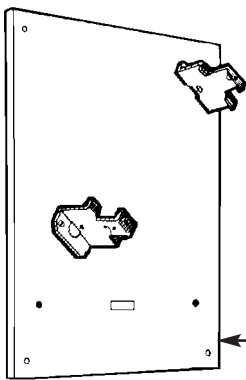
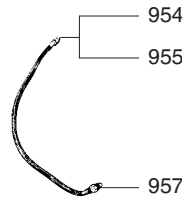
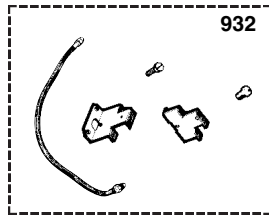
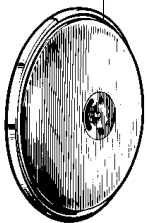
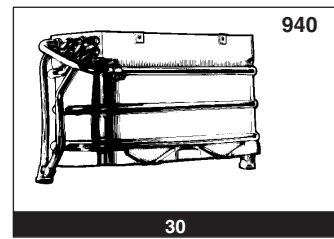
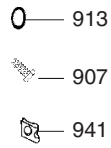
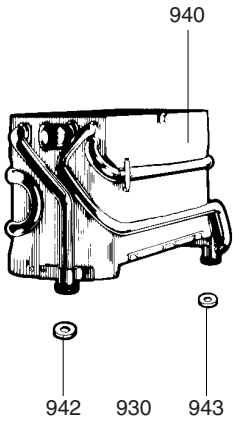
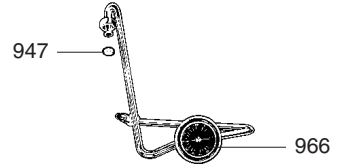
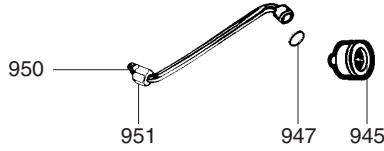
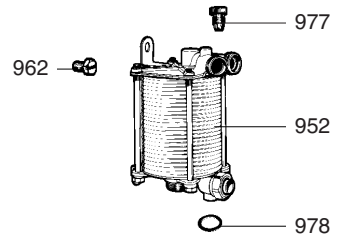
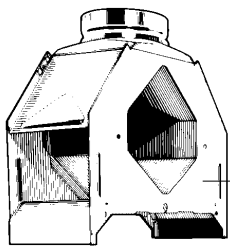


TIG

| Rep. | Désignation | Référence | Type | 2-18 | | 2-22 | | 1-18 | | TIG 16 | | 1-22 | | TIG 20 | | 2-20 | | 1-20 | | TIG 20 | | RS | | BF | | 30 | | VE | | | | |
|------|--------------------------------|-------------|------|------|-----|------|-----|------|----|--------|----|------|----|--------|----|------|----|------|----|--------|----|------|----|------|----|------|----|------|----|------|----|------|
| | | | | CF | VMC | CF | VMC | CF | CF | CF | CF | CF | CF | CF | CF | CF | CF | CF | CF | CF | CF | CF | CF | CF | CF | CF | CF | CF | CF | CF | CF | CF |
| | | | | Date | | Date | | Date | | Date | | Date | | Date | | Date | | Date | | Date | | Date | | Date | | Date | | Date | | Date | | Date |
| 0700 | VALVE DISTRIBUTRICE ENS | 60030586 | | • | • | | | | | | | | | | | | | | | | | | | | | | | | | | | |
| | VALVE DISTRIBUTRICE ENS | 60031411 | | | • | | | | | | | | | | | | | | | | | | | | | | | | | | | |
| | VALVE DISTRIBUTRICE ENS - FR | 60045596 | | | • | | | | | | | | | | | | | | | | | | | | | | | | | | | |
| | VALVE DISTRIBUTRICE TI | 60045652 | | | | | | • | | • | | | | | | | | | | | | | | | | | | | | | | |
| 0701 | BOITIER MICRORUPTEUR | 60031107-10 | | • | • | • | • | | | | | | | | | | | | | | | | | | | | | | | | | |
| | BOITIER MICRORUPTEUR | 60046713 | | | | | | | | | | | | | | | | | | | | | | | | | | | | | | |
| 0702 | ECROU H M 5-0.80 | 60008664-13 | | | | | | • | | • | | | | | | | | | | | | | | | | | | | | | | |
| 0703 | COUVERCLE COTE MOTEUR | 60026207 | | | | | | • | | • | | | | | | | | | | | | | | | | | | | | | | |
| 0704 | MOTEUR REDUCTEUR | 60045350 | | | | | | • | | • | | | | | | | | | | | | | | | | | | | | | | |
| 0705 | AXE CAME | 60026202 | | | | | | • | | • | | | | | | | | | | | | | | | | | | | | | | |
| 0706 | CAME MANOEUVRE | 60026203 | | | | | | • | | • | | | | | | | | | | | | | | | | | | | | | | |
| 0707 | LAME VD TI | 60026206 | | | | | | • | | • | | | | | | | | | | | | | | | | | | | | | | |
| 0708 | ROBINET | 60031721 | | | | | | • | | • | | | | | | | | | | | | | | | | | | | | | | |
| 0709 | JOINT TORIQUE D: 25-2.4 | 60024164-32 | | | | | | • | | • | | | | | | | | | | | | | | | | | | | | | | |
| 0710 | BOUTON DE MANOEUVRE | 60066107 | | • | • | • | • | | | • | | | | | | | | | | | | | | | | | | | | | | |
| 0711 | JOINT TORIQUE D: 19.8-3.6 | 60024164-24 | | | | | | • | | • | | | | | | | | | | | | | | | | | | | | | | |
| 0712 | JOINTS VALVE DISTRIBUT (Poch.) | 60081176 | | | | | | • | | • | | | | | | | | | | | | | | | | | | | | | | |
| 0713 | CABLAGE VALVE DISTRIBUTRICE | 60031298 | | • | • | • | • | | | | | | | | | | | | | | | | | | | | | | | | | |
| 0714 | CLAPET CIRCUIT COURT (Poch.) | 60081178 | | • | • | • | • | | | | | | | | | | | | | | | | | | | | | | | | | |
| | CLAPET (Pochette) | 60081513 | | | | | | • | | • | | | | | | | | | | | | | | | | | | | | | | |
| 0718 | CLIP | 60031764 | | • | • | • | • | | | • | | | | | | | | | | | | | | | | | | | | | | |
| 0719 | CLAPET CHAUFFAGE (Pochette) | 60081514 | | | | | | • | | • | | | | | | | | | | | | | | | | | | | | | | |
| | CLAPET CHAUFFAGE (Pochette) | 60100506-30 | | • | • | • | • | | | | | | | | | | | | | | | | | | | | | | | | | |
| 0723 | TUBE DEPART CHAUFFAGE | 60045476 | | | | | | • | | • | | | | | | | | | | | | | | | | | | | | | | |
| 0724 | MEMBRANE | 60025809-30 | | | | | | | | | | | | | | | | | | | | | | | | | | | | | | |
| 0725 | FOND DE VALVE DISTRI. USINE | 60030587-08 | | • | • | • | | | | | | | | | | | | | | | | | | | | | | | | | | |
| | CORPS VALVE DISTRIBUTRICE | 60035278-08 | | | | | | | | | | | | | | | | | | | | | | | | | | | | | | |
| | FOND DE VD EQUIPE (Pochette) | 60081528 | | | | | | | | | | | | | | | | | | | | | | | | | | | | | | |
| 0726 | VENTURI D: 5.2 | 60031664-08 | | • | • | | | | | | | | | | | | | | | | | | | | | | | | | | | |
| | VENTURI D: 5.4 | 60032803-08 | | | | | | | | | | | | | | | | | | | | | | | | | | | | | | |
| 0727 | JOINT TORIQUE D: 8.9-1.9 | 60024164-13 | | • | • | • | • | | | | | | | | | | | | | | | | | | | | | | | | | |
| 0728 | DIAPHRAGME EAU D: 4.42 | 60023206-03 | | | | | | | | | | | | | | | | | | | | | | | | | | | | | | |
| | DIAPHRAGME EAU D: 4.05 | 60023206-04 | | • | • | | | | | | | | | | | | | | | | | | | | | | | | | | | |
| 0729 | CLAPET BY-PASS (Pochette) | 60081182 | | • | • | • | • | | | | | | | | | | | | | | | | | | | | | | | | | |
| 0730 | JOINT PLAT D: 15-8.5-1.5 | 60030867 | | • | • | • | • | | | | | | | | | | | | | | | | | | | | | | | | | |
| 0732 | JOINT PLAT D: 23.9-20.1-1.5 | 60061855-03 | | • | • | • | • | | | | | | | | | | | | | | | | | | | | | | | | | |
| 0734 | SELECTEUR DE TEMPERATURE ENS | 60030958 | | • | • | | | | | | | | | | | | | | | | | | | | | | | | | | | |
| | SELECTEUR DE TEMPERATURE ENS | 60031993 | | | | | | | | | | | | | | | | | | | | | | | | | | | | | | |
| 0738 | ROBINET DE REMPLISSAGE | 60030959 | | • | • | • | • | | | | | | | | | | | | | | | | | | | | | | | | | |
| 0743 | JOINT PLAT D: 20.1-17.1-1.5 | 60061855-09 | | • | • | • | • | | | | | | | | | | | | | | | | | | | | | | | | | |
| 0744 | REGULATEUR EAU | 60031055 | | • | • | • | • | | | | | | | | | | | | | | | | | | | | | | | | | |
| 0746 | FILTRE | 60031226 | | • | • | • | • | | | | | | | | | | | | | | | | | | | | | | | | | |
| 0747 | PURGEUR EQUIPE (Pochette) | 60081028 | | • | • | • | • | | | | | | | | | | | | | | | | | | | | | | | | | |
| 0748 | JOINT TORIQUE D: 22-2 | 60024959-03 | | • | • | • | • | | | | | | | | | | | | | | | | | | | | | | | | | |
| 0749 | CARTER MOTO REDUCTEUR | 60026003 | | | | | | | | | | | | | | | | | | | | | | | | | | | | | | |
| 0750 | VIS H M 5-20 | 60019317 | | | | | | | | | | | | | | | | | | | | | | | | | | | | | | |
| | VIS HX M 5-12 | 61010131 | | • | • | • | • | | | | | | | | | | | | | | | | | | | | | | | | | |
| 0751 | CLIP | 60025076-03 | | • | • | • | • | | | | | | | | | | | | | | | | | | | | | | | | | |
| 0757 | TUBE DEPART CHAUFFAGE | 60073662 | | • | • | • | • | | | | | | | | | | | | | | | | | | | | | | | | | |
| 0758 | TETE DE ROBINET ENS | 60069115 | | • | • | • | • | | | | | | | | | | | | | | | | | | | | | | | | | |
| 0761 | JOINT PLAT D: 24.3-21-1.5 | 60061856-13 | | • | • | • | • | | | | | | | | | | | | | | | | | | | | | | | | | |
| 0764 | TETE DE ROBINET ENS | 60067704 | | • | • | • | • | | | | | | | | | | | | | | | | | | | | | | | | | |
| 0767 | JOINT PLAT D: 29.6-25.5-1.5 | 60061856-04 | | • | • | • | • | | | | | | | | | | | | | | | | | | | | | | | | | |
| 0775 | TUBE EAU FROIDE VD A ECHANGEUR | 61001209 | | • | • | • | • | | | | | | | | | | | | | | | | | | | | | | | | | |
| 0776 | JOINT TORIQUE D: 16-1.9 | 60024183-37 | | • | • | • | • | | | | | | | | | | | | | | | | | | | | | | | | | |



| Rep. | Désignation | Référence | Type | 2-18 | | 2-22 | | 1-18 | | TIG 16 | | 1-22 | | TIG 20 | | 2-20 | | 1-20 | | TIG 20 | | RS | | BF | | 30 | | VE | | | |
|-------------|---------------------------------|-------------|------|------|-----|------|-----|------|----|--------|----|------|---|--------|---|------|---|------|---|--------|----|----|----|----|----|----|----|----|----|----|---|
| | | | | CF | VMC | CF | VMC | CF | CF | CF | CF | | | | | | | | | CF | CF | CF | CF | CF | CF | CF | CF | CF | CF | de | à |
| | | | | | | | | | | | | | | | | | | | | | | | | | | | | | | | |
| 0800 | BARRETTE DE ROBINETTERIE | | | | | | | | | | | | | | | | | | | | | | | | | | | | | | |
| 0802 | VIS M 6-10 | 60031527-03 | | • | • | • | • | • | • | • | • | • | • | • | • | • | • | • | • | • | • | • | • | • | • | • | • | | | | |
| 0807 | JOINT PLAT D: 24-18.2-1.5 | 60061855-01 | | • | • | • | • | • | • | • | • | • | • | • | • | • | • | • | • | • | • | • | • | • | • | • | • | | | | |
| 0809 | FILTRE | 60025261 | | • | • | • | • | • | • | • | • | • | • | • | • | • | • | • | • | • | • | • | • | • | • | • | • | | | | |
| 0810 | JOINT PLAT D: 38-32.2-1.5 | 60061857-23 | | • | • | • | • | • | • | • | • | • | • | • | • | • | • | • | • | • | • | • | • | • | • | • | • | | | | |
| 0811 | TETE DE ROBINET ENS | 60031040 | | • | • | • | • | • | • | • | • | • | • | • | • | • | • | • | • | • | • | • | • | • | • | • | • | | | | |
| 0820 | JOINT TORIQUE D: 13.6-2.7 | 60024164-18 | | • | • | • | • | • | • | • | • | • | • | • | • | • | • | • | • | • | • | • | • | • | • | • | • | | | | |
| 0821 | VIS A TETON M5 | 60017908 | | • | • | • | • | • | • | • | • | • | • | • | • | • | • | • | • | • | • | • | • | • | • | • | • | | | | |
| 0822 | SOUPAPE DE SECURITE (Pochette) | 60100702-30 | | • | • | • | • | • | • | • | • | • | • | • | • | • | • | • | • | • | • | • | • | • | • | • | • | | | | |
| 0823 | SOUPAPE DE SECURITE 3 BARS | 61020933 | | • | • | • | • | • | • | • | • | • | • | • | • | • | • | • | • | • | • | • | • | • | • | • | • | | | | |
| 0833 | JOINT PLAT D: 18.4-12.2-1.5 | 60061855-14 | | • | • | • | • | | | | | • | | | | | | | | | | | | | | | | | | | |
| 0840 | CROCHET | 60031784 | | | | | | | | | | | | | | | | | | | | | | | | | | | | | |
| 0841 | JOINT PLAT D: 29.6-22-1.5 | 60022834-14 | | • | • | • | • | • | • | • | • | • | • | • | • | • | • | • | • | • | • | • | • | • | • | • | • | | | | |
| 0843 | ROBINET GAZ | 60027032 | | • | • | • | • | • | • | • | • | • | • | • | • | • | • | • | • | • | • | • | • | • | • | • | • | | | | |
| | ROBINET GAZ | 60045804 | | | | | | | | | | | | | | | | | | | | | | | | | | | | | |
| 0850 | JOINT DE FORME (/Robinet gaz) | 60019119 | | | | | | | | | | | | | | | | | | | | | | | | | | | | | |
| 0852 | VIS M 6-12 | 60000101-13 | | | | | | | | | | | | | | | | | | | | | | | | | | | | | |



| Rep. | Désignation | Référence | Type | 2-18 | | 2-22 | | 1-18 | | TIG 16 | | 1-22 | | TIG 20 | | 1-20 | | TIG 20 | | RS | | BF | | 30 | | VE | | | |
|-------------|-------------------------------|-------------|------|------|-----|------|-----|------|----|--------|----|------|----|--------|----|------|----|--------|----|----|----|----|----|----|----|----|----|----|----|
| | | | | CF | VMC | CF | VMC | CF | CF | CF | CF | CF | CF | CF | CF | CF | CF | CF | CF | CF | CF | CF | CF | CF | CF | CF | CF | CF | CF |
| | | | | Date | | de | | à | | | | | | | | | | | | | | | | | | | | | |
| 0900 | CHASSIS | | | | | | | | | | | | | | | | | | | | | | | | | | | | |
| 0907 | VIS M 6-10 | 60031527-03 | | • | • | • | • | • | • | • | • | • | • | • | • | • | • | • | • | • | • | • | • | • | • | • | • | | |
| 0909 | VIS A TOLE D: 3.56-16 | 60045654 | | | | | | | | | | | | | | | | | | | | | | | | | | | |
| 0913 | RONDELLE D: 12-6.2-1.2 | 60007059-03 | | • | • | • | • | • | • | • | • | • | • | • | • | • | • | • | • | • | • | • | • | • | • | • | • | | |
| 0929 | ANTIREFOULEUR | 60034633-06 | | • | | | | | | | | | | | | | | | | | | | | | | | | | |
| 0930 | VASE D'EXPANSION | 60056676-06 | | • | • | • | • | • | • | • | • | • | • | • | • | • | • | • | • | • | • | • | • | • | • | • | • | | |
| 0931 | SUPPORT DE VESPI (Pochette) | 60081014 | | | | | | | | | | | | | | | | | | | | | | | | | | | |
| 0932 | EQT REMPLACEMENT VESPI | 60081067 | | | | | | | | | | | | | | | | | | | | | | | | | | | |
| | EQT REMPLACEMENT VESPI | 60081068 | | • | • | | | | | | | | | | | | | | | | | | | | | | | | |
| 0940 | CORPS DE CHAUFFE | 60026881-06 | | | | | | | | | | | | | | | | | | | | | | | | | | | |
| | CORPS DE CHAUFFE | 60036933-06 | | | | | | | | | | | | | | | | | | | | | | | | | | | |
| | CORPS DE CHAUFFE | 60044357-06 | | | | | | | | | | | | | | | | | | | | | | | | | | | |
| 0941 | PATTE DE FIXATION | 60014066-03 | | • | • | • | • | • | • | • | • | • | • | • | • | • | • | • | • | • | • | • | • | • | • | • | • | | |
| 0942 | JOINT PLAT D: 24-16.2-1.5 | 60061855-02 | | • | • | • | • | • | • | • | • | • | • | • | • | • | • | • | • | • | • | • | • | • | • | • | • | | |
| | JOINT PLAT D: 23.8-14.4-1.5 | 60061855-18 | | | | | | | | | | | | | | | | | | | | | | | | | | | |
| 0943 | JOINT PLAT D: 24-18.2-1.5 | 60061855-01 | | • | • | • | • | • | • | • | • | • | • | • | • | • | • | • | • | • | • | • | • | • | • | • | • | | |
| | JOINT PLAT D: 29.9-20-1.5 | 60061856-03 | | | | | | | | | | | | | | | | | | | | | | | | | | | |
| 0945 | MANOMETRE EQUIPE (Pochette) | 60081180 | | • | • | • | • | • | • | • | • | • | • | • | • | • | • | • | • | • | • | • | • | • | • | • | • | | |
| 0947 | JOINT PLAT D: 8.5-4.1-1.5 | 60061852-12 | | • | • | • | • | • | • | • | • | • | • | • | • | • | • | • | • | • | • | • | • | • | • | • | • | | |
| 0950 | BAGUE BICONE D: 6 | 60022865 | | • | • | • | • | • | • | • | • | • | • | • | • | • | • | • | • | • | • | • | • | • | • | • | • | | |
| 0951 | ECROU H M 10-1 | 60022864-08 | | • | • | • | • | • | • | • | • | • | • | • | • | • | • | • | • | • | • | • | • | • | • | • | • | | |
| 0952 | ECHANGEUR SANITAIRE 24 C KIT | 61001974 | | • | • | • | • | | | | | | | | | | | | | | | | | | | | | | |
| 0954 | BAGUE BICONE D: 6 | 60022865 | | | | | | | | | | | | | | | | | | | | | | | | | | | |
| 0955 | VIS RACCORD BICONE | 60031269 | | | | | | | | | | | | | | | | | | | | | | | | | | | |
| 0957 | BAGUE BICONE D: 8.2 | 60003947 | | | | | | | | | | | | | | | | | | | | | | | | | | | |
| 0958 | RACCORD M 3/4 F 1/2 | 60048257 | | • | • | • | • | | | | | | | | | | | | | | | | | | | | | | |
| 0962 | VIS HS M 8-16 | 60031519-03 | | • | • | • | • | | | | | | | | | | | | | | | | | | | | | | |
| 0964 | TUBE EAU CHAUDE SANIT. EQUIPE | 60078766 | | • | • | • | • | | | | | | | | | | | | | | | | | | | | | | |
| 0966 | THERMOMETRE | 60044333 | | • | • | • | • | • | • | • | • | • | • | • | • | • | • | • | • | • | • | • | • | • | • | • | • | | |
| 0970 | JOINT TORIQUE D: 7.2-1.9 | 60024164-12 | | • | • | • | • | | | | | | | | | | | | | | | | | | | | | | |
| 0977 | BOUCHON M 10-100 | 60036342-08 | | • | • | • | • | | | | | | | | | | | | | | | | | | | | | | |
| 0978 | JOINT TORIQUE D: 16-1.9 | 60024183-37 | | • | • | • | • | | | | | | | | | | | | | | | | | | | | | | |
| 0979 | VIS M 4-6 | 60019197-03 | | • | • | | | | | | | | | | | | | | | | | | | | | | | | |
| 0983 | JOINT MOUSSE SIL 7x7 L: 2.5M | 60081273-03 | | | | | | | | | | | | | | | | | | | | | | | | | | | |
| 0984 | RONDELLE EVENTAIL D: 4 | 60028466-03 | | • | • | | | | | | | | | | | | | | | | | | | | | | | | |
| 0985 | HUBLLOT (Pochette) | 60081047 | | | | | | | | | | | | | | | | | | | | | | | | | | | |
| 0991 | CIRCUIT IMPRIME | 60041067 | | | | | | | | | | | | | | | | | | | | | | | | | | | |
| 0992 | VIS M 5-8 | 60015691-03 | | | | | | | | | | | | | | | | | | | | | | | | | | | |
| 0994 | ALLUMEUR | 60046009-10 | | | | | | | | | | | | | | | | | | | | | | | | | | | |
| 0997 | EXTRACTEUR | 60037930 | | | | | | | | | | | | | | | | | | | | | | | | | | | |
| 0998 | VIS A TOLE CBLZ D: 3.5-6.5 | 60031521-03 | | | | | | | | | | | | | | | | | | | | | | | | | | | |
| 0999 | THERMOSTAT 65°C | 60023169-10 | | | | | | | | | | | | | | | | | | | | | | | | | | | |
| | SECURITE THERMIQUE 60°C | 60040049 | | • | | | | | | | | | | | | | | | | | | | | | | | | | |
| | SECURITE THERMIQUE 125°C | 60041317 | | | | | | | | | | | | | | | | | | | | | | | | | | | |

LISTE DES ABRÉVIATIONS

| | |
|------------|--|
| EC | : Eau chaude. |
| EF | : Eau froide. |
| C | : Résistance Céramique (Chauffe normale). |
| Ca | : Résistance Céramique (Chauffe accélérée). |
| TP | : Résistance ThermoPlongeur. |
| 1F | : Avec Robinetterie. |
| 2F | : Sans Robinetterie. |
| 3F | : Avec Robinetterie et une sortie supplémentaire. |
| AMI | : Avec Mélangeur Intégré. |
| SMI | : Sans Mélangeur Intégré. |
| TYPE | : Indique la nature de l'appareil. |
| PN | : Ces références concernent uniquement un appareil à Pression Normale. |
| BP | : Ces références concernent uniquement un appareil à Basse Pression. |
| PV | : Ces références concernent uniquement un appareil à Puissance Variable. |
| PF | : Ces références concernent uniquement un appareil à Puissance Fixe. |

PLAQUE SIGNALÉTIQUE

NUMÉRO DE SÉRIE

12 Caractères : 1 95 065004 - 31

| | | | | | | |
|---|---|----|--------|---|----|--------------------------------|
| Mois de fabrication : de 1 à 9 → Jan. à Sep., O → Oct., N → Nov., D → Dec. | 1 | 95 | 065004 | - | 31 | Indice technique de l'appareil |
| | | | | | | Code séquentiel |
| | | | | | | Année de fabrication |

20 Caractères : 3675007 XX 2 07 070 00315

| | | | | | | | |
|--------------------------|---------|----|---|----|-----|-------|----------------------|
| Code appareil | 3675007 | XX | 2 | 07 | 070 | 00315 | Code séquentiel |
| Millénium de fabrication | | | | | | | Jour de fabrication |
| | | | | | | | Année de fabrication |

21 Caractères : 3675007 XX 07 070 0000315

| | | | | | | |
|---------------|---------|----|----|-----|---------|----------------------|
| Code appareil | 3675007 | XX | 07 | 070 | 0000315 | Code séquentiel |
| | | | | | | Jour de fabrication |
| | | | | | | Année de fabrication |

Les renseignements portés sur les tarifs et documentations commerciales ou techniques, les schémas et côtes d'encombrements sont donnés à titre indicatif et valables à un instant donné. Le CONSTRUCTEUR se réserve le droit d'apporter toutes modifications de présentation, de forme, de dimension, de conception ou matière à ses produits.