

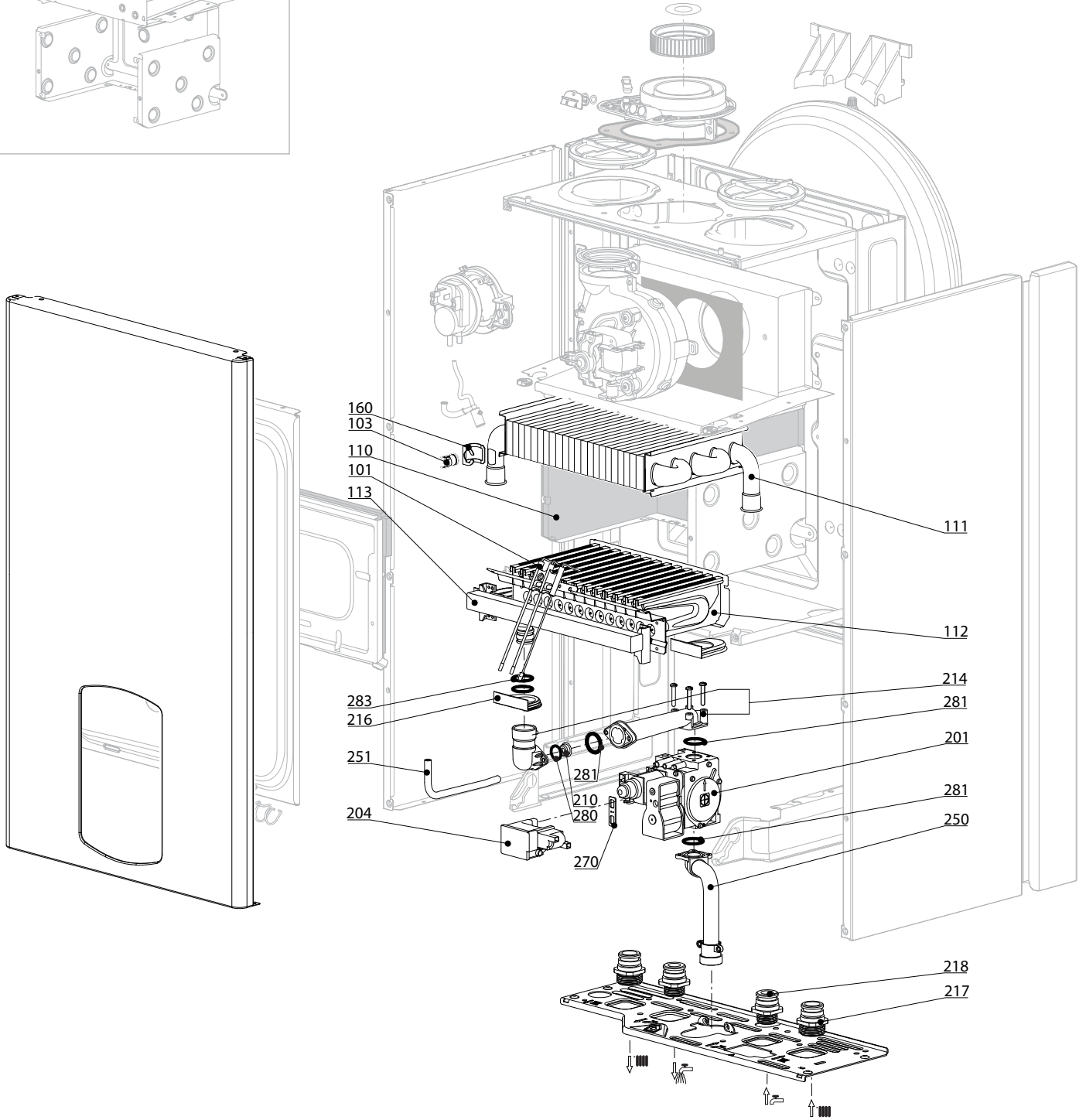
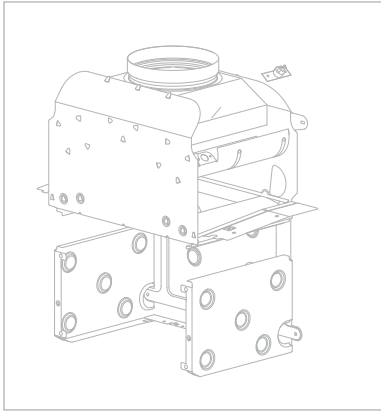
SPARE PARTS EXPLODED VIEW GAS WALL BOILERS

Model

PIGMA

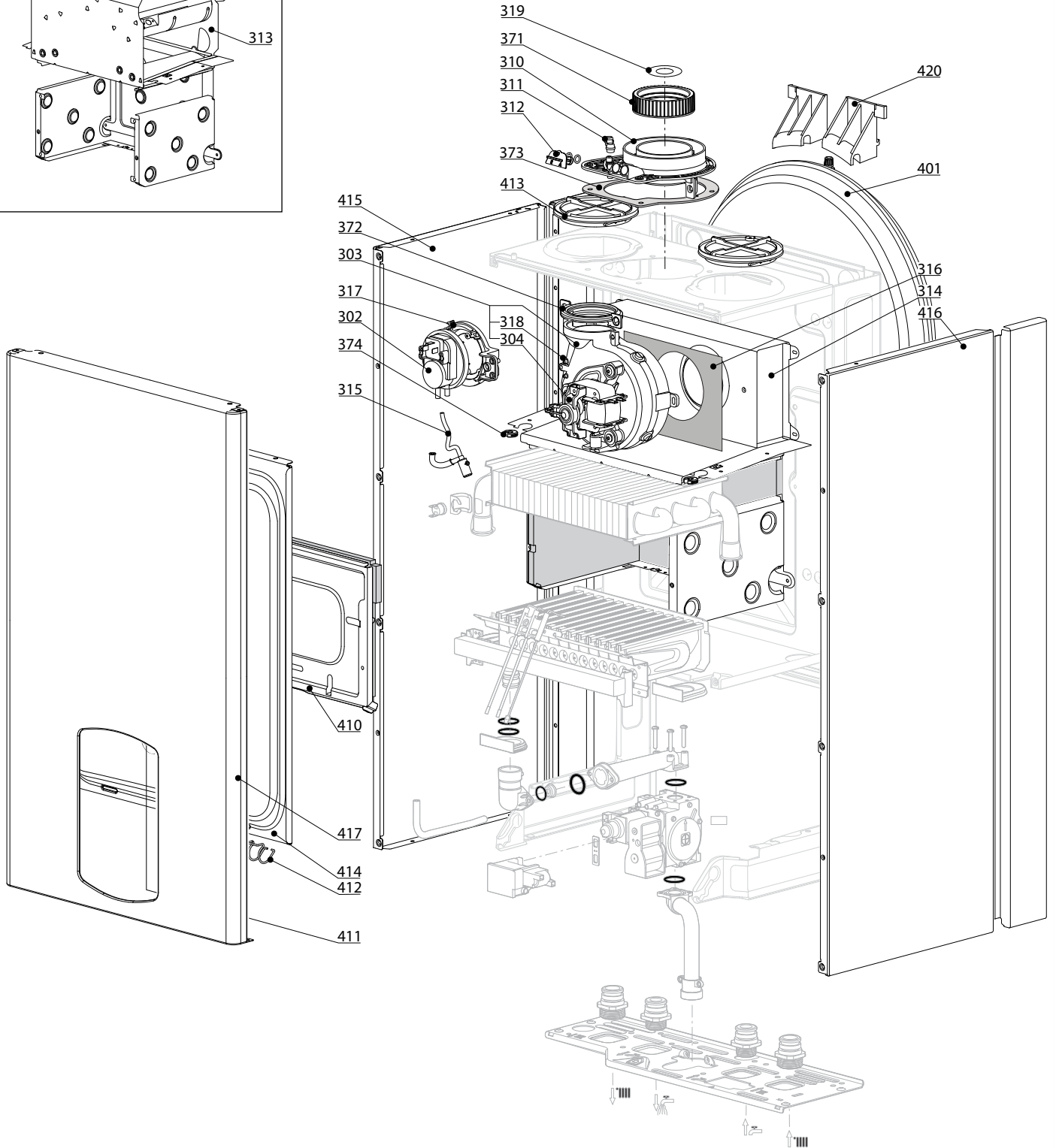
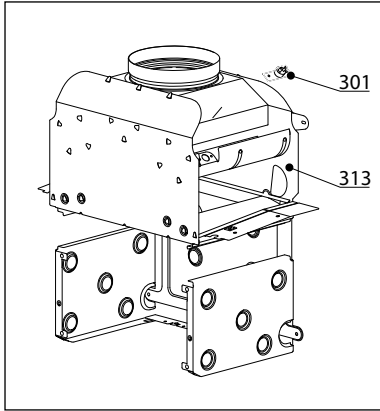
R8203109-05 - 23/03/2012

1	3650212	PIGMA 25 CF N FR
1	3650213	PIGMA 25 CF B/P FR
2	3650214	PIGMA 25 VMC FR
3	3650215	PIGMA 25 FF N FR	01/08	...
3	3650216	PIGMA 25 FF B/P FR
4	3650217	PIGMA 30 FF N FR
Col	Reference	Model type	Begin	End



Description	Manf. Pt. N	Type																		
			1	2	3	4	5	6	7	8	9	10	11	12	13	14	15	16	17	18
0100 BURNER ASSEMBLY																				
0101 ELECTRODE (IGNITION/DETECTION)	65104549		•	•	•	•														
0103 THERMOSTAT 102°	65104500		•	•	•	•														
0110 PANELS (KIT)	65104695				•														02/08	
PANELS (KIT)	65104695		•	•		•														
PANELS (KIT)	65106298				•														03/08	
0111 MAIN EXCHANGER	65104246				•														02/08	
MAIN EXCHANGER	65104246					•														
MAIN EXCHANGER	65104247		•	•																
MAIN EXCHANGER	65106297				•														03/08	
0112 BURNER 13NP	65104220				•														02/08	
BURNER 13NP	65104220		•	•		•														
BURNER 11NP	65106294				•														03/08	
0113 GAS MANIFOLD 13 INJ. D:0.76	65104223	B/P			•														02/08	
GAS MANIFOLD 13 INJ. D:0.76	65104223	B/P	•																	
GAS MANIFOLD 11 INJ. D:0.80	65106605	B/P			•														03/08	
GAS MANIFOLD 13 INJ. D:1.32	65104226	NAT				•														
GAS MANIFOLD 13 INJ. D:1.25	65104302	NAT			•														02/08	
GAS MANIFOLD 13 INJ. D:1.25	65104302	NAT	•	•																
GAS MANIFOLD 11 INJ. D:1.32	65106302	NAT			•														03/08	
0160 CLIP	61010050		•	•	•	•														
0200 GAS SECTION																				
0201 GAS VALVE	65104254		•	•	•	•														
0204 SPARK GENERATOR	65104653		•	•	•	•														
0210 RESTRICTOR D: 6.3	60000018	NAT			•														02/08	
RESTRICTOR D: 6.3	60000018	NAT	•	•																
RESTRICTOR D: 5.7	60000498	NAT			•														03/08	
RESTRICTOR D: 7	65105152	NAT				•														
0214 PIPE (GAS VALVE/BURNER)	65104230		•	•	•	•														
0216 GROMMET	60000624		•	•	•	•														
0217 UNION (3/4)	65104326		•	•	•	•														
0218 UNION (1/2)	65104327		•	•	•	•														
0250 GAS TUBE	60000720		•	•	•	•														
0251 EPDM PIPE	65104296				•	•														
0270 GASKET (SPARK GENERATOR)	574279		•	•	•	•														
0280 O-RING D: 14-2.00	60000903	NAT	•	•	•	•														
0281 O-RING 22,22X2,62	65104304		•	•	•	•														
0283 O-RING 17,17X1,78	65104303		•	•	•	•														

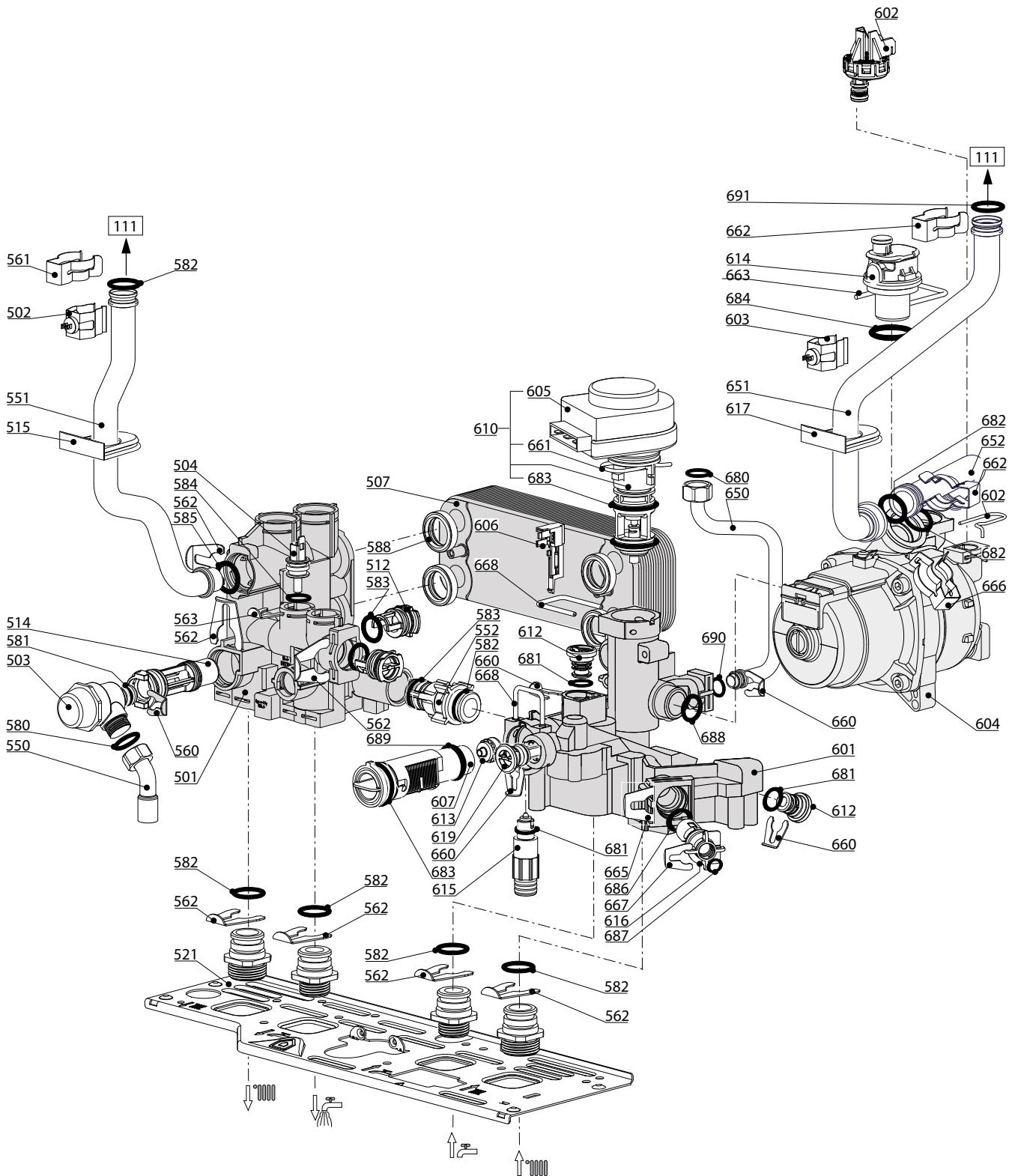
300
400

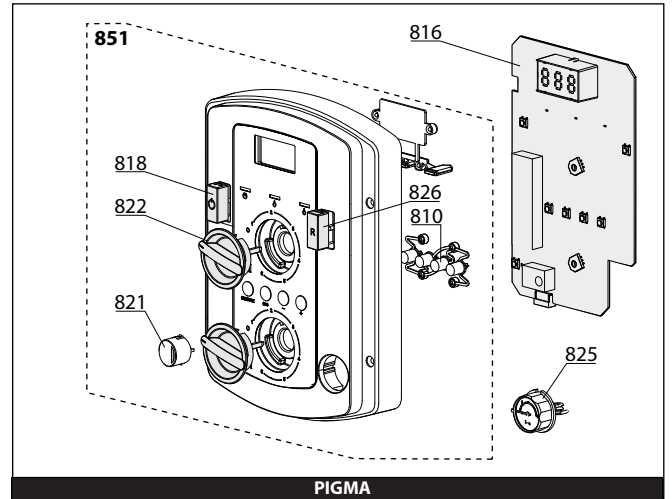
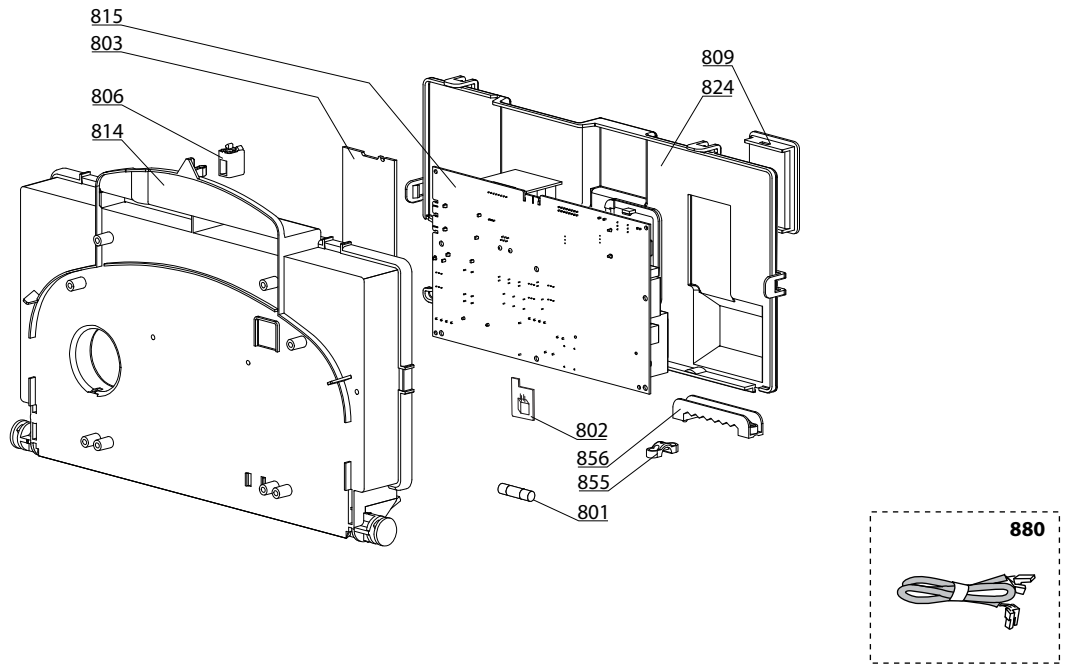


PIGMA

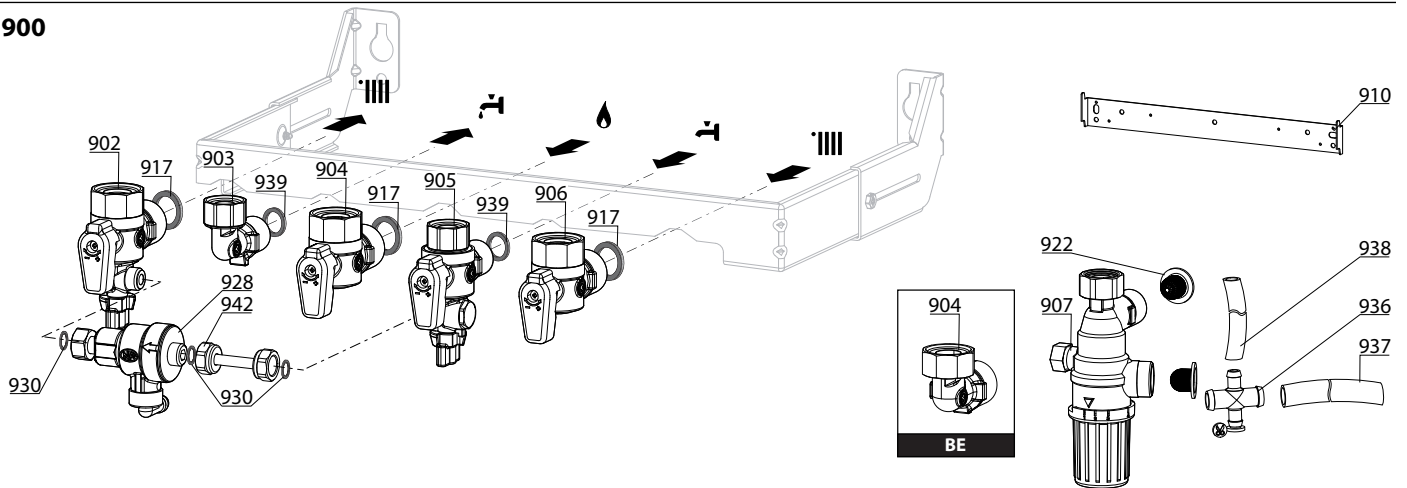
Domestic Gas Boilers

☉	Description	Manf. Pt. N	Type																			
				1	2	3	4	5	6	7	8	9	10	11	12	13	14	15	16	17	18	
0300	FAN ASSEMBLY																					
0301	OVERHEAT THERMOSTAT 49C	61310767			•																	
	THERMOSTAT 75-65°C	999539		•																		
0302	AIR PRESSURE SWITCH 50 Pa	65104671-01					•															
	AIR PRESSURE SWITCH 74 Pa	65104672-01						•														
0303	FAN	65104357					•															
	FAN	65104452						•														
0310	FLUE (EXHAUST MANIFOLD / HEADER)	65105393					•	•														
0311	AIR INTAKE COVER	573329						•	•													
0312	FLUE INTAKE PLUG	65104295						•	•													
0313	COMBUSTION CHAMBER 24CF	65104218		•	•																	
0314	COMBUSTION CHAMBER 24/28 FF	65104219					•													02/08		
	COMBUSTION CHAMBER 24/28 FF	65104219						•														
	COMBUSTION CHAMBER 24/28 FF	65106295						•												03/08		
0315	CONDENSATE TRAP	65104623						•	•													
0316	PANEL (INSULATION - FAN)	65104305						•	•													
0317	SUPPORT (AIR PRESSURE SWITCH)	65104378						•	•													
0318	VENTURI 28/30FF	65106515							•													
	VENTURI 15/24FF	65106516							•													
0319	RESTRICTOR KIT	60001598						•	•													
0371	COLLAR GASKET	65104258						•	•													
0372	FAN GASKET	65104257						•	•													
0373	GASKET	60000317						•	•													
0374	CABLE INLET RUBBER WASHER	60000716		•	•	•	•															
0400	SEALED CASE																					
0401	EXPANSION VESSEL	65104261		•	•	•	•															
0410	PANEL (COMBUSTION CHAMBER)	65104240					•													02/08		
	PANEL (COMBUSTION CHAMBER)	65104240		•	•		•															
	PANEL (COMBUSTION CHAMBER)	65106296					•													03/08		
0411	SIGHT GLASS	65104232						•	•													
0412	SPRING FRONT PANEL (KIT)	65104298						•	•													
0413	AIR RETURN COVER	65104249						•	•													
0414	PANEL (FRONT - SEALED CHAMBER)	65105678						•	•													
0415	CASE PANEL (L.H. SIDE)	65105676		•	•	•	•															
0416	CASE PANEL (R.H. SIDE)	65105677		•	•	•	•															
0417	CASE PANEL (FRONT)	60000983		•	•	•	•															
0420	EXPANSION VESSEL SUPPORT	65104696		•	•	•	•															





900



5000

<p>5001 Transf. gaz > B/P Conv. gas > LPG Trasn. gas > GPL Transf. gas > B/P Umrustsatz > B/P</p>	<p>5002 Transf. gaz > Nat Conv. gas > Nat Trasn. gas > Met Transf. gas > Met Umrustsatz > Nat</p>	<p>5020 Options Accessories Opzioni Accessorio Option</p>
--	--	---

Description	Manf. Pt. N	Type																		
			1	2	3	4	5	6	7	8	9	10	11	12	13	14	15	16	17	18
0800 ELECTRICAL BOX																				
0801 FUSE 250V 2A - TEMPORIZED	61003456		•	•	•	•														
0802 MODULE KIT (EEPROM)	65105148		•	•	•	•														
0803 P.C.B (CLIP-IN) E-BUS	65109108		•	•	•	•														
0806 PUSH	65104228		•	•	•	•														
0809 INSPECTION COVER	65104294		•	•	•	•														
0810 PUSH BUTTON	60000978		•	•	•	•														
0814 CONTROL PANEL	65104300		•	•	•	•														
0815 P.C.B. (MAIN)	65109313-02		•	•	•	•														
0816 PRINTED CIRCUIT BOARD (DISPLAY)	60000817-01		•	•	•	•														
0818 PUSH BUTTON ON/OFF	60000836		•	•	•	•														
0821 PUSH BUTTON	60000835		•	•	•	•														
0822 KNOB	60001003		•	•	•	•														
0824 CONTROL PANEL COVER (REAR)	65104293		•	•	•	•														
0825 PRESSURE GAUGE	60000725		•	•	•	•														
0826 BUTTON (RESET)	60000806		•	•	•	•														
0851 FRONT CONTROL PANEL COMPLETE	60000833		•	•	•	•														
0855 CABLE CLAMP	571562		•	•	•	•														
0856 CABLE CLAMP	65103377		•	•	•	•														
0880 EARTH WIRE	65104286		•	•	•	•														
DISPLAY WIRING	60000746	/ CN02	•	•	•	•														
NTC - PRES. SENSOR - GAS VALVE CABLE	60000840	/ CN04	•	•	•	•														
IONIZATION ELECTRODE CABLE	65104518	/ CN05	•	•	•	•														
SHUNT CABLE	60000839	/ CN07	•																	
THREE WAY VALVE CABLE	65104523	/ CN09	•	•	•	•														
PUMP 1V CABLE	65105081	/ CN10	•	•	•	•														
FAN CABLE	65107270	/ CN10				•	•													
CLIP-IN E-BUS WIRING	65105169	/ CN11	•	•	•	•														
FLOW METER CABLE	60000813	/ CN14	•	•	•	•														
FEEDER 240V	60000993	/ CN20	•	•	•	•														
NTC - OVERHEAT THER. - PRES SWITCH CABLE	60000814	/ CN22				•	•													
NTC PROBE - OVERHEAT THERMOSTAT CABLE	60000838	/ CN22				•														
ROOM THERMOSTAT CABLE	60000988	/ CN25	•	•	•	•														
NTC PROBE - OVERHEAT THERMOSTAT CABLE	65104708	/ CN22	•																	
0900 JIG PLATE & PIPE FITTING																				
0902 WATER FLOW SERVICE TAP	60000886		•	•	•	•														
0903 HOT WATER CONNECTION	60000891		•	•	•	•														
0904 GAS SERVICE TAP	60000898		•	•	•	•														
UNION	65105631		•	•	•	•														
0905 COLD WATER TAP	60000894		•	•	•	•														
0906 WATER FLOW & RETURN SERVI. TAP	60000885		•	•	•	•														
0907 THERMOSTATIC MIXING VALVE	60001081		•	•	•	•														
0910 WALL HOOK	60000625		•	•	•	•														
0917 SHEET GASKET D: 24-17-1.5	60061855-19		•	•	•	•														
0922 FILTER	60001087		•	•	•	•														
0928 DISCONNECTOR	60000881		•	•	•	•														
0930 SHEET GASKET D: 11-5-1.5	60061853-07		•	•	•	•														
0936 UNION	60000879		•	•	•	•														
0937 TUBE PVC D: 13x17 L: 1M	60081266-02		•	•	•	•														
0938 TUBE PVC D: 9x12 L: 1M	60081266		•	•	•	•														
0939 SHEET GASKET D: 16.5-11-1.5	60061854-14		•	•	•	•														
0942 FILLER NECK	60001078		•	•	•	•														
5000 ACCESSORIES																				
5001 BURNER JET FULL KIT (LPG)	65104582						•													
BURNER JET FULL KIT (LPG)	65106690		•				•													
5002 BURNER JET FULL KIT (NG) FR	65104585							•												
BURNER JET FULL KIT (NG) FR	65106692		•				•													
5020 ROD PLATE	60000999		•	•	•	•														

LIST OF THE ABBREVIATIONS

HW	: Hot water.
CW	: Cold water.
C	: Ceramic resistance (normal heating).
Ca	: Ceramic resistance (accelerated heating)
TP	: Immersion heater.
1F	: With fittings.
2F	: Without fittings.
3F	: With fittings and another outlet connection.
AMI	: With mixing valve.
SMI	: Without mixing valve.
PUISS	: Power of th appliance.
PN	: Appliance with normal pression.
LP	: Appliance with low pression.
PV	: Appliance with variable power.
PF	: Appliance with fixed power.

IDENTIFICATION PLATE

SERIAL NUMBER

10 Characters :	04 05 125 011	Sequential number Manufacturing day Year of manufacture
11 Characters :	1 95 065004 - 31	Technical number of the appliance Sequential number Year of manufacture
Month of manufacture : from 1 to 9 → Jan. to Sep., O → Oct., N → Nov., D → Dec.		
19 Characters :	08 05 0013199 900640031	Product reference Sequential number
Year of manufacture Month of manufacture		
20 Characters :	3675007 XX 2 07 070 00315	Sequential number Manufacturing day Year of manufacture
Product reference Millenium of manufacture		
21 Characters :	3675007 XX 07 070 0000315	Sequential number Manufacturing day
Product reference Year of manufacture		

The indications mentioned on the prices, commercial or technical literature and the scheme are written for your guidance and are available at a given time. The CONSTRUCTOR retains the power to modify the presentation, the form, the size, the conception or the material of the products.