



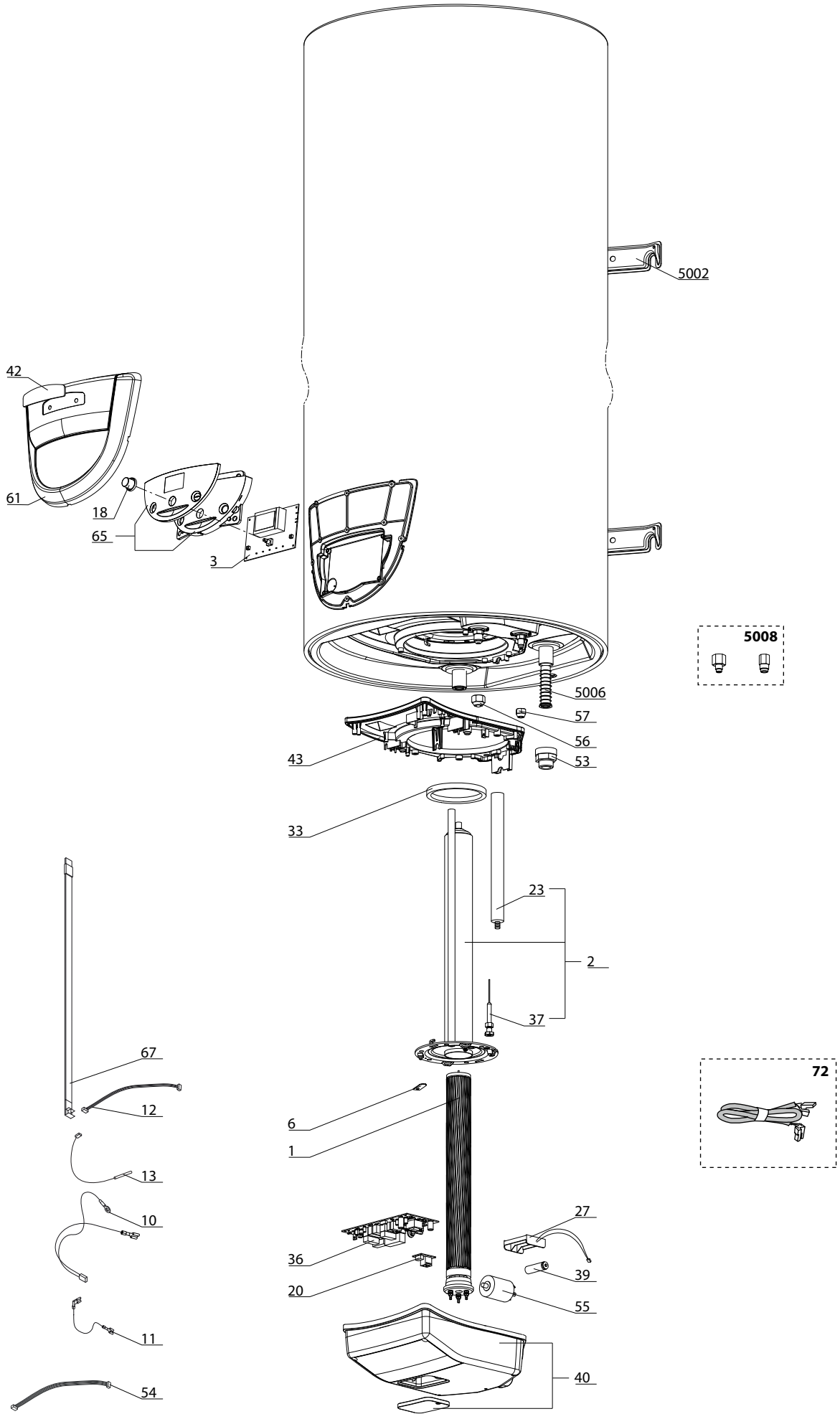
SPARE PARTS EXPLODED VIEW HEAT PUMPS

Model

NUOS SPLIT WH

R8203332-06 - 20/07/2017

1	3069405	NUOS SPLIT TANK WH 150	09-2011	09-2015
1	3079039	NUOS SPLIT TANK WH 150		
2	3069404	NUOS SPLIT TANK WH 200	09-2011	09-2015
2	3079038	NUOS SPLIT TANK WH 200		
3	3069502	NUOS SPLIT FLEX TANK WH 150		
4	3069503	NUOS SPLIT FLEX TANK WH 200		
Col	Reference	Model type	Begin	End



LIST OF THE ABBREVIATIONS

HW	: Hot water.
CW	: Cold water.
C	: Ceramic resistance (normal heating).
Ca	: Ceramic resistance (accelerated heating)
TP	: Immersion heater.
1F	: With fittings.
2F	: Without fittings.
3F	: With fittings and another outlet connection.
AMI	: With mixing valve.
SMI	: Without mixing valve.
PUISS	: Power of th appliance.
PN	: Appliance with normal pression.
LP	: Appliance with low pression.
PV	: Appliance with variable power.
PF	: Appliance with fixed power.

IDENTIFICATION PLATE

SERIAL NUMBER

9 Characters : 07 91 00301 (**from 01/77 to 12/92**)

Month of manufacture | | | | | | | | | |
Year of manufacture | | | | | | | | | | |

10 Characters : 95 01 065004 (**from 01/93 to 06/95**)

Year of manufacture | | | | | | | | | | |

OU

10 Characters : 01 95 065004 (**from 07/95**)

Month of manufacture | | | | | | | | | | |

12 Characters : 924 2 3 134 0115

Product reference | | | | | | | | | | |

15 ou 16 Characters : (0)03 070 0001 893077 (**from 01/97 to 01/05**)

Year of manufacture | | | | | | | | | | |

OU

16 Characters : 05 070 0001 0000000 (**from 02/05**)

Year of manufacture | | | | | | | | | | |

17 Characters : 07 070 00315 3070107

Year of manufacture | | | | | | | | | | |

21 Characters : 3000115 XX 08115 0000001

Product reference | | | | | | | | | | |

22 Characters : 3000115 XX 070416 0000001

Product reference | | | | | | | | | | |