



# SPARE PARTS EXPLODED VIEW GAS-WALL CONDENSING BOILERS

Model

## GENUS PREMIUM EVO

R8203443-03 - 10/01/2017

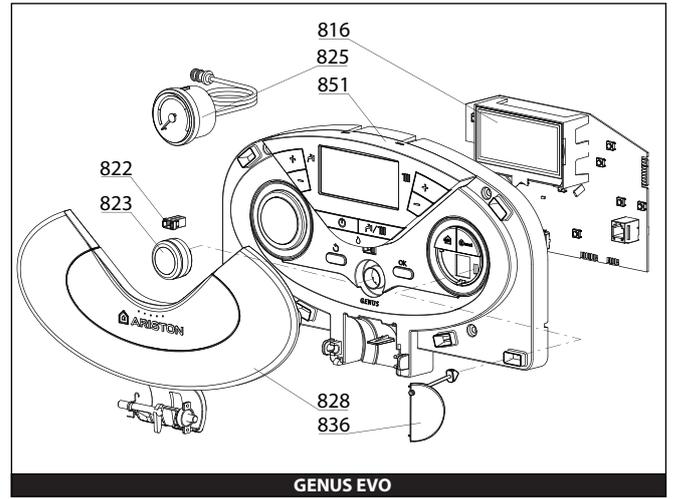
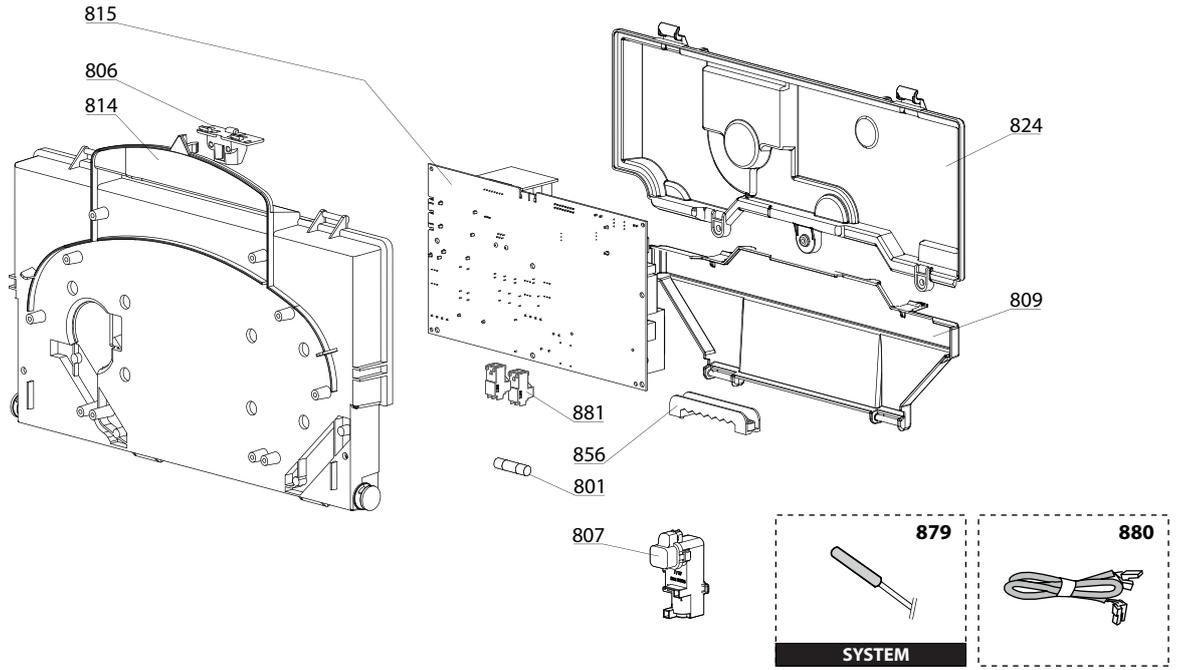
1	3300446	GENUS PREMIUM EVO 24	05-2012	01-2016
1	3300704	GENUS PREMIUM EVO 24 EU	01-2015	-
1	3300811	GENUS PREMIUM EVO 24 EU A+		
1	3300905	GENUS PREMIUM NET 24 EU		
2	3300447	GENUS PREMIUM EVO 30	05-2012	01-2016
2	3300705	GENUS PREMIUM EVO 30 EU	01-2015	-
3	3300448	GENUS PREMIUM EVO 35	05-2012	01-2016
3	3300706	GENUS PREMIUM EVO 35 EU	01-2015	-
3	3300810	GENUS PREMIUM EVO 35 EU A+		
3	3300906	GENUS PREMIUM NET 35 EU		
4	3300449	GENUS PREMIUM EVO SYSTEM 12	07-2012	01-2016
4	3300707	GENUS PREMIUM EVO SYSTEM 12 EU	01-2015	-
5	3300450	GENUS PREMIUM EVO SYSTEM 18	05-2012	01-2016
5	3300708	GENUS PREMIUM EVO SYSTEM 18 EU	01-2015	-
6	3300451	GENUS PREMIUM EVO SYSTEM 24	05-2012	01-2016
6	3300709	GENUS PREMIUM EVO SYSTEM 24 EU	01-2015	-
6	3300812	GENUS PREMIUM EVO 24 SYS EU A+		
7	3300452	GENUS PREMIUM EVO SYSTEM 30	05-2012	01-2016
7	3300710	GENUS PREMIUM EVO SYSTEM 30 EU	01-2015	-
8	3300453	GENUS PREMIUM EVO SYSTEM 35	05-2012	01-2016
8	3300711	GENUS PREMIUM EVO SYSTEM 35 EU	01-2015	-
Col	Reference	Model type	Begin	End



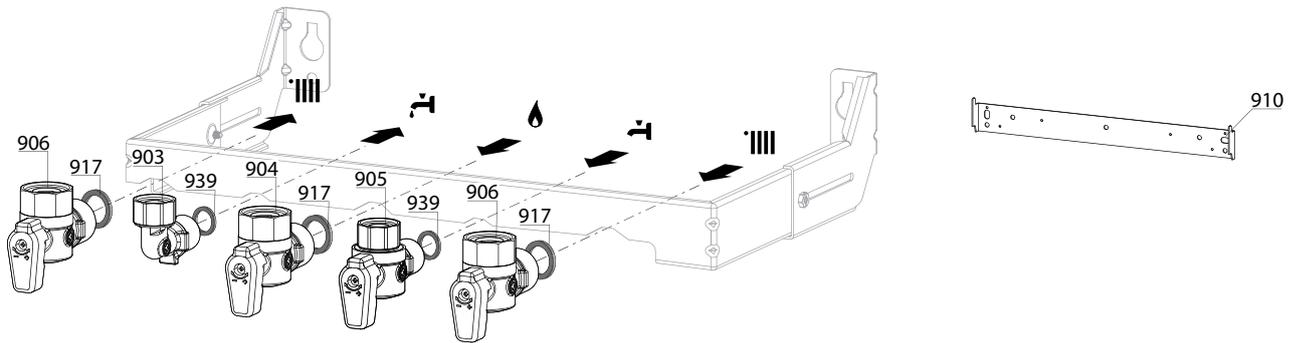








900



5000

**5001**  
 Transf. gaz  
 Conv. gas  
 Trsf. gas  
 Transf. gas  
**> G31**  
 (LPG - GPL)

**5002**  
 Transf. gaz  
 Conv. gas  
 Trsf. gas  
 Transf. gas  
**> G20**  
 (NAT - MET)

**5020**  
 Options  
 Accessories  
 Opzioni  
 Accessorio

**5023**

**5024**  
**WIFI**



## LIST OF THE ABBREVIATIONS

HW .....	: Hot water.
CW .....	: Cold water.
C .....	: Ceramic resistance (normal heating).
Ca .....	: Ceramic resistance (accelerated heating)
TP .....	: Immersion heater.
1F .....	: With fittings.
2F .....	: Without fittings.
3F .....	: With fittings and another outlet connection.
AMI .....	: With mixing valve.
SMI .....	: Without mixing valve.
PUISS .....	: Power of th appliance.
PN .....	: Appliance with normal pression.
LP .....	: Appliance with low pression.
PV .....	: Appliance with variable power.
PF .....	: Appliance with fixed power.

## IDENTIFICATION PLATE

### SERIAL NUMBER

<b>10 Characters :</b>	04 05 125 011	Sequential number Manufacturing day Year of manufacture
<b>11 Characters :</b>	1 95 065004 - 31	Technical number of the appliance Sequential number Year of manufacture
Month of manufacture : from 1 to 9 → Jan. to Sep., O → Oct., N → Nov., D → Dec.		
<b>19 Characters :</b>	08 05 0013199 900640031	Product reference Sequential number
Year of manufacture Month of manufacture		
<b>20 Characters :</b>	3675007 XX 2 07 070 00315	Sequential number Manufacturing day Year of manufacture
Product reference Millenium of manufacture		
<b>21 Characters :</b>	3675007 XX 07 070 0000315	Sequential number Manufacturing day
Product reference Year of manufacture		