



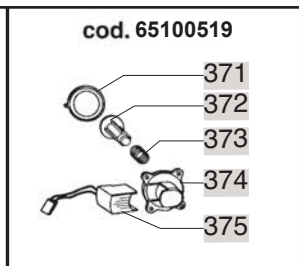
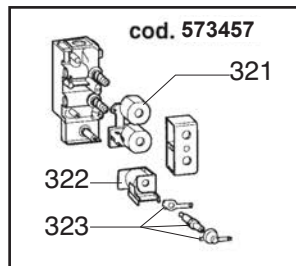
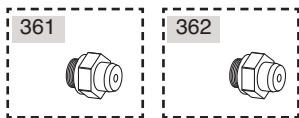
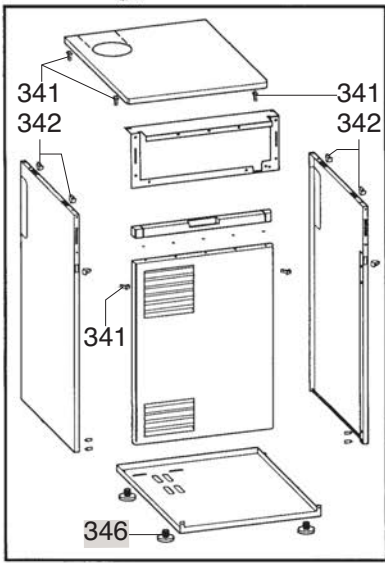
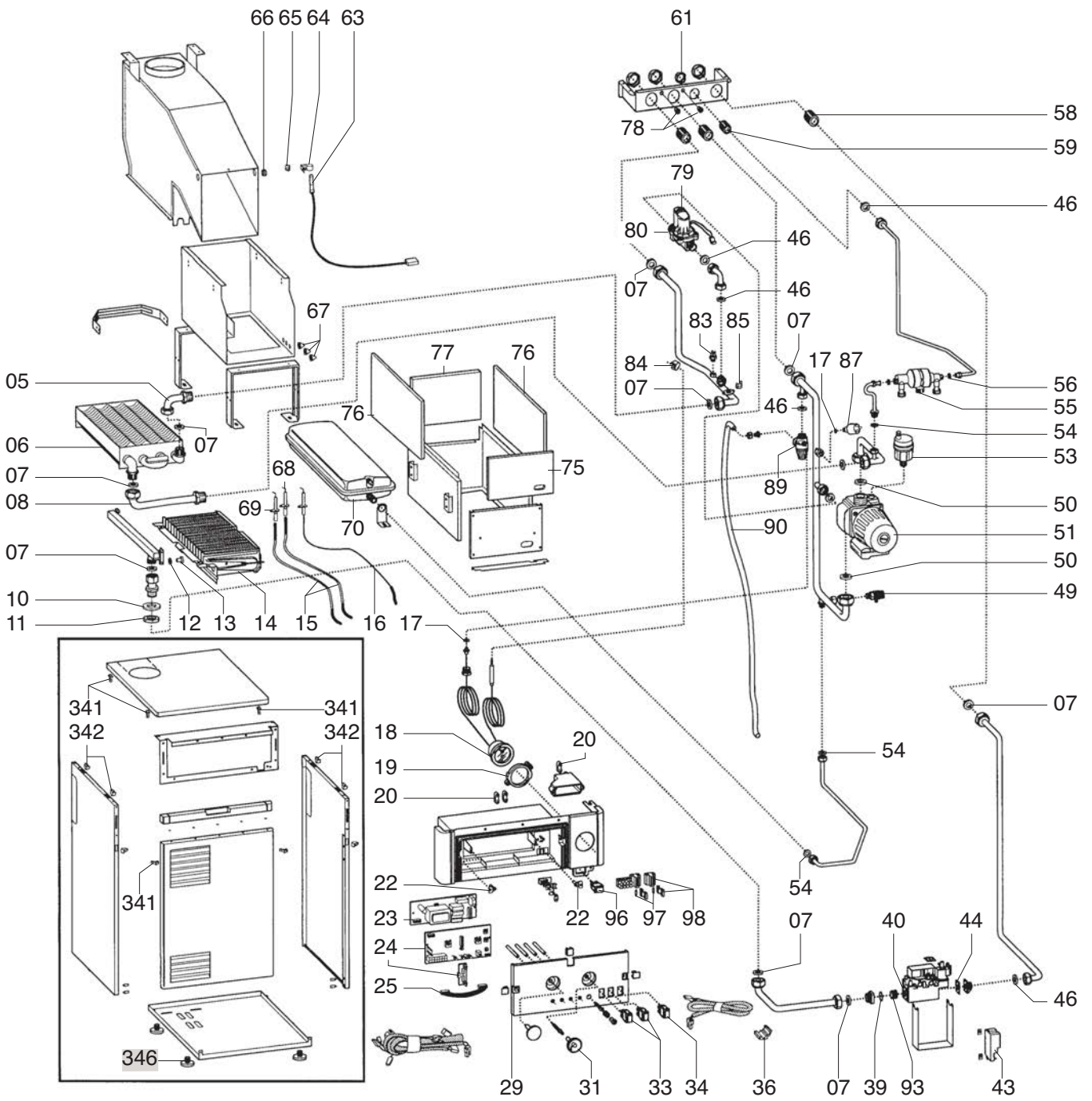
SPARE PARTS EXPLODED VIEW
GAS-STAND. BOILER ATM. BURNER
Model
GEOMAT 27 RI

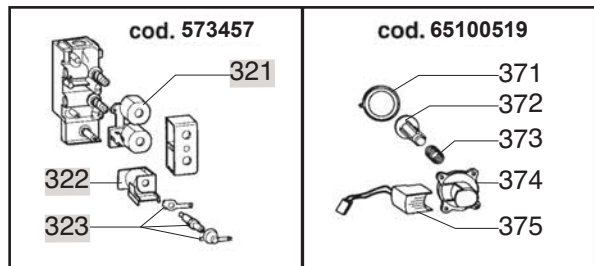
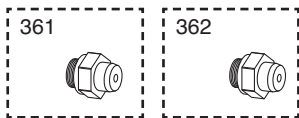
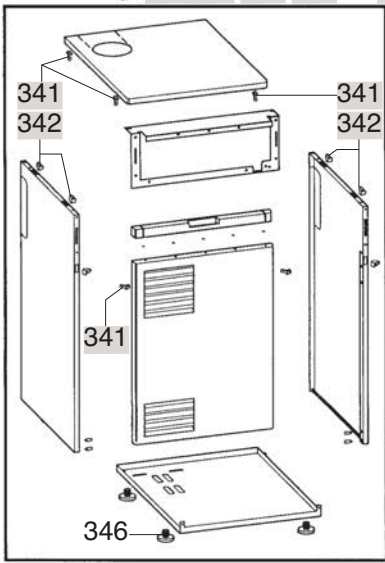
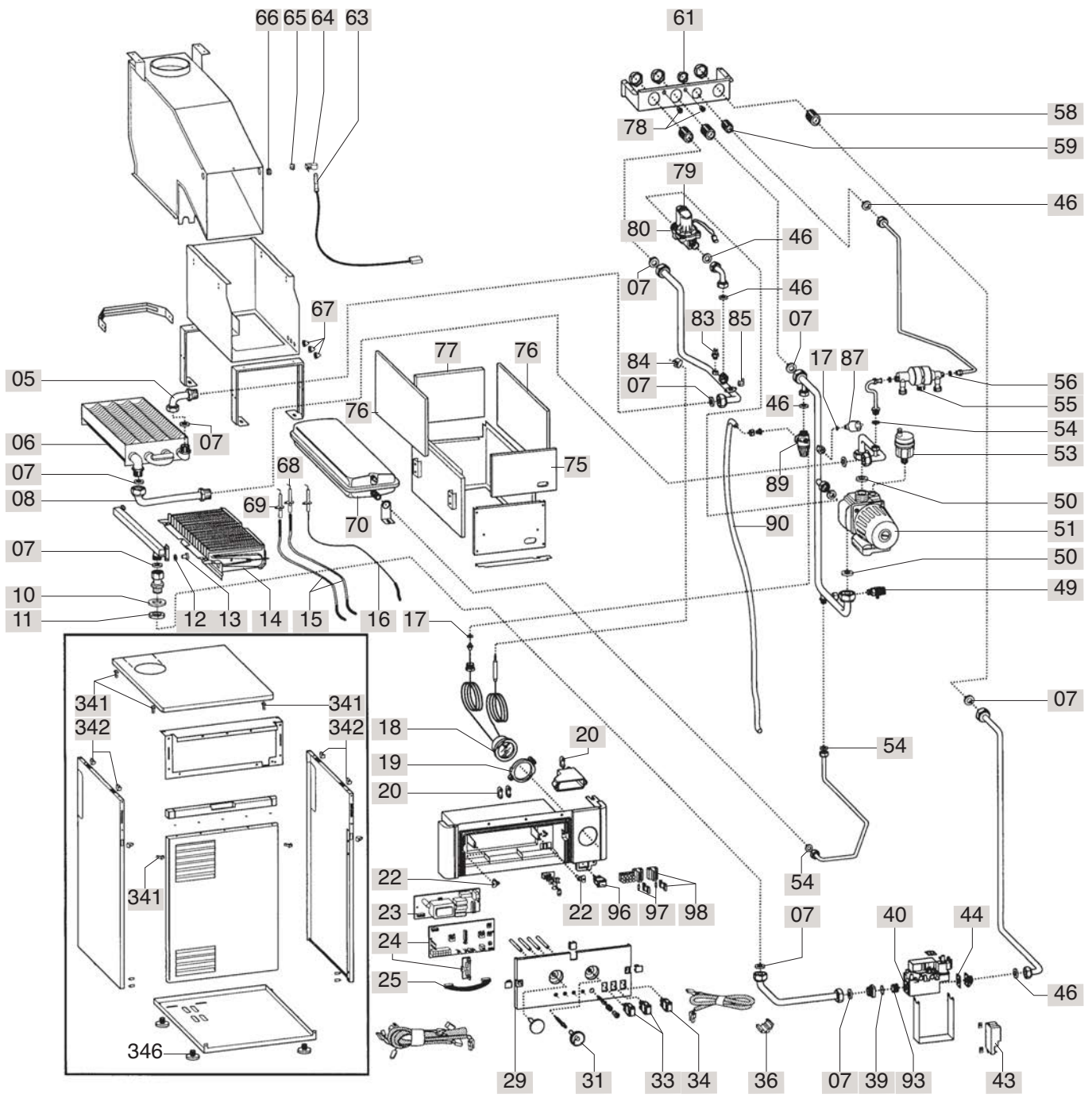
R8217595-01 - 26/07/2016

GEOMAT 27 RI

Gas-stand. boiler atm. burner

1	534701	GEOMAT 27 RI MET	11-1997	05-2001
2	534702	GEOMAT 27 RI GPL	11-1997	05-2001
Col	Reference	Model type	Begin	End





LIST OF THE ABBREVIATIONS

HW	: Hot water.
CW	: Cold water.
C	: Ceramic resistance (normal heating).
Ca	: Ceramic resistance (accelerated heating)
TP	: Immersion heater.
1F	: With fittings.
2F	: Without fittings.
3F	: With fittings and another outlet connection.
AMI	: With mixing valve.
SMI	: Without mixing valve.
PUISS	: Power of th appliance.
PN	: Appliance with normal pression.
LP	: Appliance with low pression.
PV	: Appliance with variable power.
PF	: Appliance with fixed power.

IDENTIFICATION PLATE

SERIAL NUMBER

10 Characters :	04 05 125 011			
				Sequential number
				Manufacturing day
				Year of manufacture
11 Characters :	1 95 065004 - 31			
Month of manufacture :				Technical number of the appliance
from 1 to 9 → Jan. to Sep.,				Sequential number
O → Oct., N → Nov.,				Year of manufacture
D → Dec.				
19 Characters :	08 05 0013199 900640031			
Year of manufacture				Product reference
Month of manufacture				Sequential number
20 Characters :	3675007 XX 2 07 070 00315			
Product reference				Sequential number
Millenium of manufacture				Manufacturing day
				Year of manufacture
21 Characters :	3675007 XX 07 070 0000315			
Product reference				Sequential number
Year of manufacture				Manufacturing day